

V O L V O



Volvo Compact Wheel Loaders 6.1 t / 13,448 lb 74 hp

**L35**

Volvo Construction Equipment

# L35

**Tackle a variety of jobs with speed and ease thanks to the powerful and comfortable L35, compact in size for efficient loading cycles in confined areas.**



# A compact loader with big potential

The versatile L35 operates reliably in tight spaces and uneven terrains. This compact wheel loader boasts fast simultaneous linkage movements and steering, as well as exceptional tractive, breakout and lifting forces, commonly found on larger machines. And the operator experience is second to none, with easy cab access, best-in-class visibility, intuitive controls and exclusive options. It all adds up to productive and more efficient loading cycles.



## Fast and maneuverable

- Unique portal axles design: industry-leading ground clearance
- Unique electro-hydraulic flow sharing main control valve: fast simultaneous lifting/tilting and hydraulic attachment movements
- Independent hydraulic pumps: simultaneous lifting and steering
- Articulated & oscillating joint, 100% differential locks on both axles: outstanding traction



## Versatile

- Compact design: easy operation in confined areas
- High lifting/breakout forces, superior roll-back/dump angles
- 100% parallel movements with forks
- Attachment brackets, with proportional 3rd hydraulic function as standard
- Range of regular & hydraulic attachments



## Comfortable

- Easy cab access
- Best in class all-round visibility
- Adjustable suspension seat and right armrest
- Adjustable steering column
- Inch/brake pedal combination



## Intuitive control

- Multi-function joystick with integrated 3rd function as standard, optional 4th function
- 5" display navigated via jog wheel
- Exclusive options: automatic lift & tilt with boundary limits, lift & tilt speed limiter...
- Multiple customizable settings



## Designed for uptime

- Monitoring of machine conditions
- Long service intervals
- Ground-level access to service points
- Telematics-based services and solutions

# Volvo L35 in detail

## Engine

Volvo 4-cylinder, common rail, diesel engine compliant to Tier4f environmental regulations.

### Air cleaning:

1. Paper filter with indicator in cab
2. Secondary filter

Exhaust after treatment system:

Cooled Exhaust Gas Recirculation (EGR), diesel oxidation catalyst (DOC) and diesel particulate filter (DPF).

| Engine                 | Volvo                | D3.3H                     |
|------------------------|----------------------|---------------------------|
| Max power at           | r/min (r/s)          | 2,720 (43.3)              |
| SAE J1995 gross        | kW (hp)              | 55.4 (74)                 |
| Max. torque at         | r/min (r/s)          | 1,500 (25)                |
| SAE J1995 gross        | Nm (ft lbf)          | 265 (195)                 |
| Economic working range | r/min (r/s)          | 1,300 - 2,100 (21.7 - 35) |
| Displacement           | l (in <sup>3</sup> ) | 3.3 (203)                 |
| Bore                   | mm (in)              | 94 (3.86)                 |
| Stroke                 | mm (in)              | 120 (7,323)               |

## Electrical System

Contronic electrical system with central warning information and buzzer, providing clear and an easy-to-read information on the 5" TFT display mounted on the A-pillar. The jog wheel allows easy and self-explaining navigation on the display with main, sub information field, multiple settings, and customized adjustments.

Indicators and activation lights are available for various control and monitoring functions.

An audible warning alarm will sound, and a central warning symbol will flash if abnormal operating values or error messages arise.

Gauges are available for coolant temperature and fuel level.

A fuse test port is available in the fuse box, allowing operators to perform initial investigations, reducing diagnostic time.

|                      |     |            |
|----------------------|-----|------------|
| Voltage              | V   | 12         |
| Battery capacity     | Ah  | 100        |
| Alternator rating    | W/A | 1 260 / 90 |
| Starter motor output | kW  | 3          |

## Drivetrain

The hydrostatic transmission allows for speed range change without any tractive power interruption.

Maximum tractive power is available in all speed ranges, regardless of the driving direction.

Single "Inch/brake pedal" for variable machine speed control and easy power transfer to the wheels at constant engine rpm.

Transmissions forward, neutral, reverse and differential locks buttons are all easy to reach on the multifunctional right joystick. This allows excellent ergonomics and greater efficiency in all applications thanks to the single-handed operation of the machine.

Two rigid portal axles provides long durability and best in class ground clearance.

The central articulating-oscillating joint and all wheel drive allows excellent mobility in all ground conditions.

The 100% differential lock on both axles enable low tire wear on hard ground while maximizing traction force in soft terrain.

|                            |         |              |
|----------------------------|---------|--------------|
| Angle of oscillation       | ± °     | 10           |
| Oscillation at wheel, max. | mm (in) | 260 (10.6)   |
| Track                      | mm (in) | 1,532 (60.3) |

## Travel speed, forward/reverse

|          |             |                       |
|----------|-------------|-----------------------|
| 1st gear | km/h (mi/h) | 6 / 8 (3.7 / 4.97)    |
| 2nd gear | km/h (mi/h) | 20 / 30 (12.4 / 18.6) |

## Low-speed version

|          |             |           |
|----------|-------------|-----------|
| 1st gear | km/h (mi/h) | 6 (3.7)   |
| 2nd gear | km/h (mi/h) | 20 (12.4) |

## High-speed version

|          |             |           |
|----------|-------------|-----------|
| 1st gear | km/h (mi/h) | 8 (5)     |
| 2nd gear | km/h (mi/h) | 30 (18.6) |

## Service Refill

Ground level access, fuel filler and hydraulic oil filler well protected under the rear engine hood.

|                |         |            |
|----------------|---------|------------|
| Fuel tank      | l (gal) | 84 (22.2)  |
| Engine oil     | l (gal) | 11.2 (3)   |
| Engine coolant | l (gal) | 11 (2.9)   |
| Hydraulic tank | l (gal) | 54 (14.3)  |
| Front axle oil | l (gal) | 12.2 (3.2) |
| Rear axle oil  | l (gal) | 13.5 (3.6) |

## Hydraulic system

Working hydraulic system with electro-hydraulic operated control valve.

**System supply:** A gear pump provides flow to the working hydraulic.

**System control:** Double-acting 3-spools electro- hydraulic main control valve.

**The lift function has four positions:** lift, hold (neutral), lower and float position.

**The tilt function has three positions:** rollback, hold (neutral) and dump.

**The third hydraulic function has three positions:** unlock attachment, neutral and lock attachment. It can power a hydraulic attachment such as sweeper, 4-in-1 bucket. Individually flow adjustments are made via jog wheel.

An optional independent fourth hydraulic function is available to power hydraulic implements (adjustable snow plow, angle sweeper etc...).

Individually flow adjustments are made via jog wheel.

**Filtration:** Full-flow filtration through 10 micron (absolute) filter cartridge in a combined suction-return-filter.

**Cooling:** Thermostatically controlled oil flow to oil cooler (fast warm-up, optimized cooling). Electronically temperature controlled hydraulic driven cooling fan with fan speed monitoring.

|                        |                 |              |
|------------------------|-----------------|--------------|
| Working pressure max   | MPa (bar)       | 24 (240)     |
| Flow                   | l/min (gal/min) | 69 (18.2)    |
| at engine speed        | r/min (r/s)     | 2,720 (43.3) |
| Pilot working pressure | MPa (psi)       | 2.2 (319)    |

## Linkage

Z-bar linkage providing high breakout force to the bucket and also parallel movement to the fork frame thanks to Volvo's specific kinematics.

Torque parallel (TP) linkage also available as an option to provide greater breakoutforce throughout the entire tilt angle.

|                       |                    |     |
|-----------------------|--------------------|-----|
| Linkage system        | Z-bar / TP-linkage |     |
| Lift cylinders        |                    | 2   |
| Tilt cylinders        |                    | 1   |
| Lift time (loaded)    | s                  | 5.5 |
| Lowering time (empty) | s                  | 3.5 |
| Dump time             | s                  | 1.2 |

## Steering System

Central articulating-oscillating joint with elastic end-stops.

Hydrostatic steering powered via a gear pump allowing precise operation even at low engine revolutions. Steering the machine does not influence the working hydraulic speed e. g. when lifting loads.

Steering pressure is monitored by a dedicated sensor.

|                    |                 |              |
|--------------------|-----------------|--------------|
| Steering cylinders |                 | 1            |
| Working pressure   | MPa (psi)       | 18.5 (2,756) |
| Maximum flow       | l/min (gal/min) | 33 (8.85)    |
| Max articulation   | ± °             | 40           |

## Brake system

**Service brake:** an Inching-brake pedal provides hydrostatic wear less braking in the first stage for precise approach; if applied further the central disc brake on the front axle takes over for final braking acting upon all four wheels and machine immobilization.

**Parking brake:** Mechanically activated central drum brake, located on the rear axle dropbox acting upon all four wheels.

## Wheels and tires

|      |              |
|------|--------------|
| Size | 405 / 70 R20 |
|------|--------------|

## Cab

The cab is tested and approved according to ROPS (ISO 3471), FOPS (ISO 3449, Level 2) and ISO 6683 regarding Operator Restraint System. The operator's seat features an adjustable suspension with multiple setting options and a retractable orange seatbelt.

**Instrumentation:** All important information is shown in the 5" TFT display located in the operator's field of vision mounted on the right A-pillar. The jog wheel allows quick access to all main machine function, individually setting option and readout of machine data.

**Heater and defroster:** Engine coolant heated with filtered fresh air and fan with individually manual speed settings. Defroster vents for all window areas.

Fresh air is filtered through a large elements prior entering, ensuring extremely clean air distribution in the cab.

## Sound Level

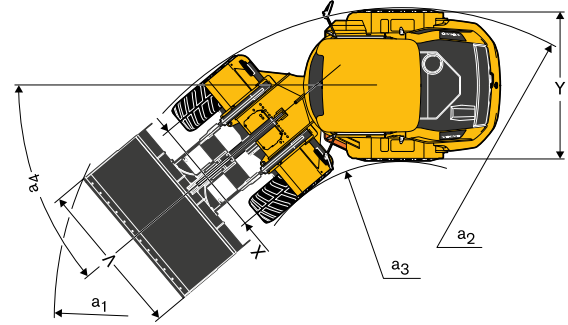
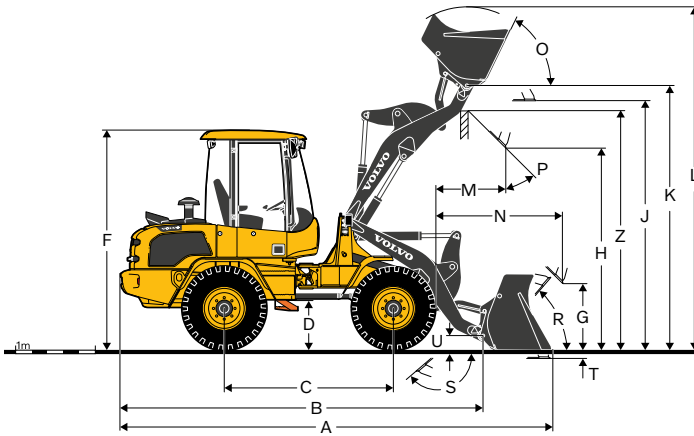
Sound pressure level at operator's position according to ISO 6396:

|                 |    |    |
|-----------------|----|----|
| L <sub>pA</sub> | dB | 75 |
|-----------------|----|----|

External sound power level according to ISO 6395 and EU Noise Directive 2000/14/EC:

|                 |    |     |
|-----------------|----|-----|
| L <sub>WA</sub> | dB | 101 |
|-----------------|----|-----|

# Specifications



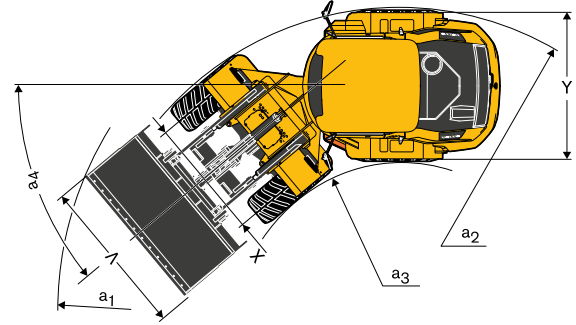
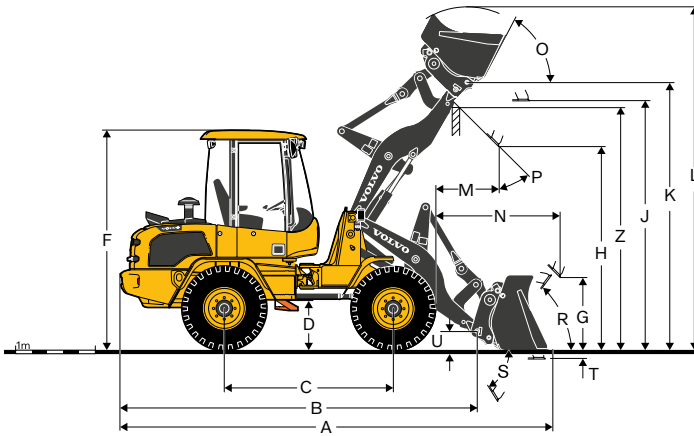
| Description       | Unit |       | L35H Z-BAR            |       |
|-------------------|------|-------|-----------------------|-------|
|                   |      |       | with 405/70 R20 tires |       |
| B                 | mm   | ft in | 4,625                 | 15'2" |
| C                 | mm   | ft in | 2,150                 | 7'1"  |
| D                 | mm   | ft in | 500                   | 1'8"  |
| F (incl. antenna) | mm   | ft in | 2,820                 | 9'3"  |
| G                 | mm   | ft in | 935                   | 3'1"  |
| J                 | mm   | ft in | 3,150                 | 10'4" |
| K                 | mm   | ft in | 3,350                 | 11'0" |
| O                 |      |       | 66                    |       |
| P                 |      |       | 45                    |       |
| R                 |      |       | 42                    |       |
| S                 |      |       | 136                   |       |
| U                 | mm   | ft in | 200                   | 0'8"  |
| X                 | mm   | ft in | 1,532                 | 5'0"  |
| Y                 | mm   | ft in | 1,939                 | 6'4"  |
| Z                 | mm   | ft in | 3,050                 | 10'0" |
| a <sub>2</sub>    | mm   | ft in | 4,050                 | 13'3" |
| a <sub>3</sub>    | mm   | ft in | 2,055                 | 6'9"  |
| a <sub>4</sub>    |      |       | ±40                   |       |

| Description   | Unit |  | L35H Z-BAR    |               |               |               |
|---|------|--|---------------|---------------|---------------|---------------|
|   |      |  | ISO 2B        |               | ISO 3B        |               |
| With Loading Fork<br>Centre of gravity 500 mm / 20 in |      |  |               |               |               |               |
| Payload according to EN 474-3, 60/80%                 |      |  |               |               |               |               |
|   |      |  | 1,950 / 2,500 | 4,300 / 5,510 | 1,950 / 2,600 | 4,300 / 5,730 |

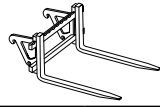
| Description  | Unit              |                    | L35H Z-BAR      |        |                       |        |            |        |
|--|-------------------|--------------------|-----------------|--------|-----------------------|--------|------------|--------|
|  |                   |                    | GENERAL PURPOSE |        | Light material bucket |        | 4-in-1     |        |
| L35H Z-BAR with 405/70 R20 tires, Z attachment bracket |                   |                    |                 |        |                       |        |            |        |
| Option number  |                   |                    | CL11391117      |        | CL11391112            |        | CL11391232 |        |
| Capacity heaped  | m <sup>3</sup>    | yd <sup>3</sup>    | 1.2             | 1.6    | 1.5                   | 2      | 1          | 1.3    |
| Material density                                       | kg/m <sup>3</sup> | lb/yd <sup>3</sup> | 1,800           | 3,034  | 1,300                 | 2,191  | 1,900      | 3,203  |
| Static tipping load, straight (ISO / DIS)              | kg                | lb                 | 4,900           | 10,803 | 4,600                 | 10,141 | 4,450      | 9,811  |
| Static tipping load, full turn 40° (ISO / DIS)         | kg                | lb                 | 4,350           | 9,590  | 4,050                 | 8,929  | 3,950      | 8,708  |
| Hydraulic lifting capacity, max.                       | kN                | lbf                | 62              | 13,938 | 58                    | 13,039 | 59         | 13,264 |
| Breakout force   | kN                | lbf                | 61              | 13,713 | 43                    | 9,667  | 53         | 11,915 |
| A Total length   | mm                | ft in              | 5,420           | 17'9"  | 5,690                 | 18'8"  | 5,685      | 18'8"  |
| L Lift height, max.                                    | mm                | ft in              | 4,325           | 14'2"  | 4,510                 | 14'10" | 4,295      | 14'1"  |
| V Bucket width   | mm                | ft in              | 2,100           | 6'11"  | 2,000                 | 6'7"   | 2,000      | 6'7"   |
| a <sub>1</sub> Clearance circle                        | mm                | ft in              | 8,990           | 29'6"  | 9,060                 | 29'9"  | 9,060      | 29'9"  |
| T Digging depth  | mm                | ft in              | 90              | 0'4"   | 90                    | 0'4"   | 90         | 0'4"   |
| H Dump height  | mm                | ft in              | 2,670           | 8'9"   | 2,490                 | 8'2"   | 2,495      | 8'2"   |
| M Reach at max. height                                 | mm                | ft in              | 745             | 2'5"   | 945                   | 3'1"   | 820        | 2'8"   |
| N Reach, max.  | mm                | ft in              | 1,565           | 5'2"   | 1,740                 | 5'9"   | 1,595      | 5'3"   |
| Operating weight                                       | kg                | lb                 | 6,150           | 13,558 | 6,200                 | 13,669 | 6,350      | 13,999 |

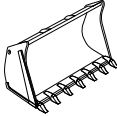
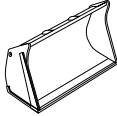



# Specifications



| Description       | Unit |       | L35H TPV                   |       |
|-------------------|------|-------|----------------------------|-------|
|                   |      |       | L35H with 405/70 R20 tires |       |
| B                 | mm   | ft in | 4,570                      | 15'0" |
| C                 | mm   | ft in | 2,150                      | 7'1"  |
| D                 | mm   | ft in | 500                        | 1'8"  |
| F (incl. antenna) | mm   | ft in | 2,820                      | 9'3"  |
| G                 | mm   | ft in | 890                        | 2'11" |
| J                 | mm   | ft in | 3,135                      | 10'3" |
| K                 | mm   | ft in | 3,380                      | 11'1" |
| O                 | °    |       | 63                         |       |
| P                 | °    |       | 45                         |       |
| R                 | °    |       | 45                         |       |
| S                 | °    |       | 58                         |       |
| U                 | mm   | ft in | 250                        | 0'10" |
| X                 | mm   | ft in | 1,532                      | 5'0"  |
| Y                 | mm   | ft in | 1,939                      | 6'4"  |
| Z                 | mm   | ft in | 3,135                      | 10'3" |
| a <sub>2</sub>    | mm   | ft in | 4,050                      | 13'3" |
| a <sub>3</sub>    | mm   | ft in | 2,055                      | 6'9"  |
| a <sub>4</sub>    | °    |       | ±40                        |       |

| Description   | Unit |    | L35H TPV  |  |
|---|------|----|---|--|
| With Loading Fork<br>Centre of gravity 500 mm / 20 in |      |    |  |  |
| Payload according to EN 474-3, 60/80%                 | kg   | lb |   |  |

| Description  | Unit              |                    | L35H TPV  |        |  |        |   |        |
|--|-------------------|--------------------|---|--------|--|--------|---|--------|
|  |                   |                    | GENERAL PURPOSE   |        | Light material bucket  |        | 4-in-1  |        |
| L35H with 405/70 R20 tires, TPV-attachment bracket |                   |                    |  |        |  |        |  |        |
|  | Option number     |                    | CL11391073  |        | CL11391074   |        | CL11391235  |        |
| Capacity heaped                                    | m <sup>3</sup>    | yd <sup>3</sup>    | 1.0   | 1.3    | 1.2  | 1.6    | 0.9   | 1.2    |
| Material density                                   | kg/m <sup>3</sup> | lb/yd <sup>3</sup> | 1,800   | 3,034  | 1,400  | 2,360  | 1,800   | 3,034  |
| Static tipping load, straight (ISO / DIS)          | kg                | lb                 | 4,200   | 9,259  | 4,100  | 9,039  | 3,950   | 8,708  |
| Static tipping load, full turn 40° (ISO / DIS)     | kg                | lb                 | 3,750   | 8,267  | 3,650  | 8,047  | 3,500   | 7,716  |
| Hydraulic lifting capacity, max.                   | kN                | lbf                | 64  | 14,388 | 63   | 14,163 | 60  | 13,489 |
| Breakout force                                     | kN                | lbf                | 52.5  | 11,803 | 48   | 10,791 | 50.5  | 11,353 |
| A Total length                                     | mm                | ft in              | 5,490   | 18'0"  | 5,590  | 18'4"  | 5,695   | 18'8"  |
| L Lift height, max.                                | mm                | ft in              | 4,385   | 14'5"  | 4,430  | 14'6"  | 4,350   | 14'3"  |
| V Bucket width                                     | mm                | ft in              | 2,000   | 6'7"   | 2,000  | 6'7"   | 2,000   | 6'7"   |
| a <sub>1</sub> Clearance circle                    | mm                | ft in              | 8,925   | 29'3"  | 8,985  | 29'6"  | 9,050   | 29'8"  |
| T Digging depth                                    | mm                | ft in              | 55  | 0'2"   | 55   | 0'2"   | 55  | 0'2"   |
| H Dump height                                      | mm                | ft in              | 2,590   | 8'6"   | 2,520  | 8'3"   | 2,455   | 8'1"   |
| M Reach at max. height                             | mm                | ft in              | 805   | 2'8"   | 885  | 2'11"  | 830   | 2'9"   |
| N Reach, max.                                      | mm                | ft in              | 1,615   | 5'4"   | 1,680  | 5'6"   | 1,590   | 5'3"   |
| Operating weight                                   | kg                | lb                 | 6,450   | 14,220 | 6,475  | 14,275 | 6,650   | 14,661 |





# Equipment

## STANDARD EQUIPMENT

### Engine

Diesel engine, water cooled  
 Engine with diesel oxidation catalyst (DOC) and diesel particulate filter (DPF)  
 Extra fuel filter  
 Cold start aid  
 Dry-type air filter with secondary filter

### Drivetrain

Hydrostatic drive  
 Operator-selected 100% differential locks for both axles  
 Tires 405/70 R20

### Electrical System

Alternator 90 A, 1.26 kW  
 Main head lights (halogen)  
 full/dipped/asymmetrical  
 Working lights, halogen (2 front/2 rear)  
 Parking lights, front halogen/rear LED  
 Rear lights, LED  
 Brake lights, LED  
 Direction indicators, front halogen/rear LED  
 Hazard warning lights  
 Reversing lights, LED  
 Cab lighting, LED

### Hydraulic system

Dedicated working hydraulic gear-type pump  
 Electro-hydraulic controlled main valve three-spool system with flow share function  
 Proportional 3rd hydraulic circuit with flow control including couplings

### Instrumentation & controls

Multi-function single lever electro-hydraulic control with integrated 3rd function  
 Cruise control  
 Engine speed locking  
 12 Volt accessories socket  
 Horn  
 Hazard warning switch  
 Digital 5" display for:  
 Fuel level  
 Engine temperature  
 Engine speed  
 Vehicle speed  
 Colour-coded symbols for:  
 Direction (forward/reverse)  
 1st/2nd gear  
 Indicators (left/right)  
 Pre-heater  
 Main beam  
 Differential locks  
 Activated machine functions  
 Symbols (red) in 5" display with acoustic signal for:  
 Parking brake  
 Air filter restriction  
 Engine temperature  
 Engine oil pressure  
 Battery charging  
 Return hydraulic filter  
 Hydraulic oil temperature  
 Steering pressure monitoring  
 Jog wheel for navigation within machine menus for:  
 Work modes with flow settings, Anti-theft function control, operator assist functions, machine data  
 including illuminated key pad for:  
 Cruise control  
 Cab heater (not in use)  
 Working lights (front/rear)  
 ESC button for navigation within machine menus  
 Menu button for direct access

## STANDARD EQUIPMENT

### Cab, Exterior

ROPS/FOPS-cab with flexible mountings  
 Walk-through cab  
 Lockable doors  
 All-round tinted safety glass  
 Windscreen wiper (front/rear)  
 Windscreen washer (front/rear)  
 Sliding window in the left door  
 Door stops/locks  
 Orange handrails  
 External rear view mirrors (right/left)

### Cab, Interior

4-way adjustable operator's seat  
 Mounting brackets for additional equipment on A- and B-pillar right hand side  
 Adjustable steering column  
 Seat belt, orange  
 Sunvisor  
 Heater with air-filter and defroster (front/rear)  
 Cab ventilation  
 Lockable storage box in the cab

### Working Equipment

Bucket & fork level indicator  
 Hydraulic quick-change attachment carrier

### Carriage Body

Steel fenders front/rear  
 Lockable engine hood  
 Towing device  
 Lifting & fastening eyes

### Service and maintenance

Tool kit  
 Lockable steel toolbox right hand side

### Official approval

Quality: DIN/ISO 9001  
 Environment: DIN/ISO 14001  
 Safety: CE compliant acc. Machine Directive 2006/42/EC and EN474-series  
 Electromagnetic compatibility (EMC) conforming to European directive 2014/30/EC  
 Noise emissions: Directive 2000/14/EC  
 Tipping load / payload: ISO 14397-1  
 ROPS conforming to ISO 3471  
 FOPS conforming to ISO 3449 (Level 2)

**OPTIONAL EQUIPMENT****Engine**

Engine block heater  
Fuel pre-heater  
Pre cleaner air filter (Turbo II)  
Auto Engine Shutdown  
Reversible cooling fan  
Tropical cooling  
Engine start only with buckle on

**Drivetrain**

Hand inch valve  
Driveline shutoff via parking brake  
Driveline activated only with buckle on  
Engine overspeeding protection

**Hydraulic system**

4th independent hydraulic circuit with flow control  
Hyd oil mineral VG46 HV  
Hyd oil mineral VG32 HV  
Hyd oil mineral VG68 HV  
Hyd oil bio synthetic VG46  
Boom suspension system  
Safety valves lift and tilt cylinders, electrically controlled  
Combination boom suspension system & safety valves  
Auxiliary hydraulic's return line (direct to tank or via filter)  
Additional pump 42 l/min (11.1 gpm), single acting  
Rear hydraulics, double acting

**Cab**

Airconditioner  
Rear view camera incl. rear view mirror inside cab  
Radio DAB preparation  
Radio DAB, FM/AM, AUX/USB/Bluetooth  
Air suspended/heated operator's seat  
Cab pre-filter EU2 & EU6  
Rearview mirrors inside cab  
Enhanced rearview mirrors outside cab  
Heated rearview mirrors  
Auxiliary cab heater  
Emergency hammer

**Operator assist function**

Loading unit assist function  
Advanced tilt & lift limiter  
Advanced tilt & lift speed limiter

**Wheel/Tires**

405/70R18  
335/80R20  
340/80R20  
360/80R20  
365/80R20  
375/75R20  
400/70R20  
405/70R20  
455/70R20  
500/45-22.5  
420/65R24

**OPTIONAL EQUIPMENT****Electrical**

Preparation for magnetic rotating beacon  
Magnetic rotating beacon LED  
Foldable rotating beacon LED  
Audible reverse alarm (STD or „White noise“)  
Anti-theft system  
Daytime running headlight  
LED headlights  
LED working lights  
Socket 7 pin front (sweeper preparation)  
Socket 8 pin attachment control  
Socket 7 pin socket rear  
Power outlet 12V 20A

**Protective equipment**

Windshield guard, front  
Windshield guard, rear  
Belly guards, front/rear  
Engine hood protection  
Front mudflaps  
Protective guards for:  
Main head lights  
Working lights  
Rear lights

**Other**

SMV warning triangle  
Preparation for licence plate, 520x110 mm (1'8"x0'4")  
Preparation for multiline licence plate, 340x245 mm (1'1"x0'10")  
Trailer hitch bolt & ball joint with socket 13 pin  
Central Lubrication unit  
Wheel chock  
Sweeper preparation  
Salt sprayer preparation  
Safety brace

**Attachments**

General Purpose bucket  
Multi-Purpose bucket  
Grading bucket  
Light Material bucket  
High-Tip bucket  
Side-Tip bucket  
Clamp bucket  
Stone Sorting bucket  
Material Handling Arm  
Forks with tines, tine length from 1,000 mm (3'3") up to 1,600 mm (5'3")  
Forks with hydraulic tines positioning, with 50 mm (1.97 in) cranked tines  
Forks with hydraulic tines positioning & side shift, with 50 mm (1.97 in) cranked tines  
Log Grapple  
Custom-Built Attachments

**V O L V O**