

V O L V O



Volvo Excavators 48.1-52.8 t / 106,110-116,400 lb 418 hp

EC500

Volvo Construction Equipment

EC500

A popular machine across the globe now comes
with better features and more power.



Get a new edge with more power

Used on utility sites, in quarries and on heavy construction sites across the globe, EC500 is one of Volvo's most popular machines made bigger. The powerful and efficient EC500 boasts up to 15% in improved fuel efficiency and a lower Total Cost of Ownership. Now even easier to service and with a comfortable modern cab, it is a machine that meets the requirements of everyone from owner to operator.



Operator comfort

- More precise controls
- Easier machine interface
- Personalized settings for greater comfort
- ROPS cab as standard



Fuel Efficiency

- Up to 15% improvement
- Engine pump optimization with engine speeds as low as 1600rpm
- Smart hydraulic control



Smart View with Obstacle Detection

- Increased safety onsite and for the operator
- Radar warns for items around the excavator
- High Definition screen
- Human identifying alarm separate from other obstacles



Productivity

- Volvo Active Control
- Dig Assist with On-Board Weighing
- Electro-hydraulic system
- Boom/Swing priority function
- Auto power boost



Serviceability

- Ground level access for service
- Long service intervals
- Grouped filters and lubrication points
- Quick and easy oil changes

Volvo EC500 in Detail

Engine

The next-generation Volvo diesel engine uses Volvo Advanced Combustion Technology (V-ACT) to deliver lower emissions, superior performance and fuel efficiency. The engine uses precise, high pressure fuel injectors, turbo charger and intercooler, and electronic engine controls to optimize machine performance.

Air Filter: 3-stage and precleaner

Automatic Idling System: Reduces engine speed to idle when the levers and pedals are not activated resulting in less fuel consumption and low cab noise levels.

Engine	Volvo	Volvo D13J
Max power at	r/min (r/s)	1,600 (27)
Net, ISO 9249/SAE J1349	kW (hp)	311 (417)
Gross, ISO 14396/SAE J1995	kW (hp)	312 (418)
Max torque	Nm (ft lbf)	2,070 (1,527)
at engine speed	r/min (r/s)	1,300 (22)
No. of cylinders		6
Displacement	l (in ³)	12.8 (781)
Bore	mm (in)	131 (5.16)
Stroke	mm (in)	158 (6.22)

Electrical System

High-capacity electrical system that is well protected. Waterproof double-lock harness plugs are used to secure corrosion-free connections. The main relays and solenoid valves are shielded to prevent damage. The master switch is standard.

Contronics provides advanced monitoring of machine functions and important diagnostic information.

Voltage	V	24
Batteries	V	2 x 12
Battery capacity	Ah	200
Alternator	V/A	28 V / 180 A

Undercarriage

The undercarriage has a robust X-shaped frame. Greased and sealed track chains are standard.

Fixed undercarriage

Track shoe		2 x 52
Link pitch	mm (in)	216 (8.5)
Shoe width, triple grouser	mm (in)	600 / 700 / 800 / 900 (24 / 28 / 32 / 36)
Shoe width, triple grouser (HD)	mm (in)	600 (HD) (24 (HD))
Shoe width, double grouser	mm (in)	600 (24)
Bottom rollers		2 x 9
Top rollers		2 x 2

Retractable undercarriage

Track shoe		2 x 52
Link pitch	mm (in)	216 (8.5)
Shoe width, triple grouser	mm (in)	600 / 700 / 800 / 900 (24 / 28 / 32 / 36)
Shoe width, triple grouser (HD)	mm (in)	600 (HD) (24 (HD))
Shoe width, double grouser	mm (in)	600 (24)
Bottom rollers		2 x 9
Top rollers		2 x 3

Swing system

The swing system uses an axial piston motors, driving a planetary gearbox for maximum torque. An automatic holding brake and anti-rebound valve are standard.

Max. slew speed	r/min	9.3
Max. slew torque	kNm (ft lbf)	166 (122,435)

Travel System

Each track is powered by an automatic two-speed shift travel motor. The track brakes are multi-disc, spring-applied and hydraulic released. The travel motor, brake and planetary gears are well protected within the track frame.

Max. drawbar pull	kN (lbf)	333 (74,970)
Max. travel speed (low)	km/h (mi/h)	3.1 (1.9)
Max. travel speed (high)	km/h (mi/h)	5.1 (3.2)
Gradeability	°	35

Cab

The operator's cab has easy access via a wide door opening. The cab is supported on hydraulic dampening mounts to reduce shock and vibration levels. These along with sound absorbing lining provide low noise levels. The cab has excellent all-round visibility. The front windshield can easily slide up into the ceiling, and the lower front glass can be removed and stored in the side door.

Integrated air-conditioning and heating system: The pressurized and filtered cab air is supplied by an automatically-controlled fan. The air is distributed throughout the cab from 9 vents.

Ergonomic operator's seat: The adjustable seat and joystick console move independently to accommodate the operator. The seat has nine different adjustments plus a seat belt for the operator's comfort and safety.

Service Refill		
Fuel tank	l (gal)	640 (169)
DEF/AdBlue® tank	l (gal)	45 (12)
Hydraulic system, total	l (gal)	480 (127)
Hydraulic tank	l (gal)	235 (62)
Engine oil	l (gal)	55 (15)
Engine coolant	l (gal)	60 (16)
Slew reduction unit	l (gal)	2 x 8.8 (2 x 2.3)
Travel reduction unit	l (gal)	2 x 8.0 (2 x 2.1)

Sound Level

Sound level in cab according to ISO 6396		
L _{pA}	dB	71
External sound level according to ISO 6395 and EU Directive 2000/14/EC		
L _{WA}	dB	107

Hydraulic system

The hydraulic system, also known as the "Automatic Sensing Work Mode," is designed for high-productivity, high-digging capacity, high-maneuvering precision and excellent fuel economy. The summation system, boom, arm and swing priority along with boom and arm regeneration provides optimum performance.

The following important functions are included in the system:

Summation system: Combines the flow of both hydraulic pumps to ensure quick cycle times and high productivity.

Arm priority: Gives priority to the arm operation for faster cycle times in leveling and for increased bucket filling when digging.

Regeneration system: Prevents cavitation and provides flow to other movements during simultaneous operations for maximum productivity.

Power boost: All digging and lifting forces are increased.

Holding valves: Boom and arm holding valves prevent the digging equipment from creeping.

Main pump: 2 x Variable displacement axial piston pumps

Maximum flow	l/min (gal/min)	2 x 376 (2 x 99)
--------------	-----------------	------------------

Pilot pump: Gear pump

Maximum flow	l/min (gal/min)	1 x 34 (1 x 9.0)
--------------	-----------------	------------------

Max. pressure

Implement	MPa (psi)	32.4 / 35.3 (4,690 / 5,120)
Travel circuit	MPa (psi)	32.4 (4,690)
Slew circuit	MPa (psi)	25.8 (3,740)
Pilot circuit	MPa (psi)	3.9 (570)

Hydraulic Motors

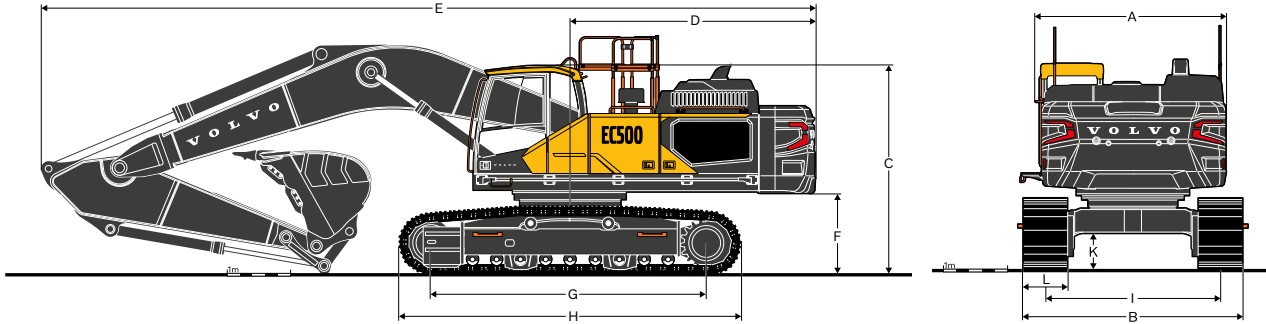
Travel: Variable displacement axial piston motor with mechanical brake

Swing: Fixed displacement piston motor with mechanical brake

Hydraulic Cylinders

Boom		2
Bore x Stroke	ø x mm (ø x in)	165 x 1 590 (6.5 x 62.6)
Arm		1
Bore x Stroke	ø x mm (ø x in)	190 x 1 850 (7.5 x 72.8)
Bucket		1
Bore x Stroke	ø x mm (ø x in)	165 x 1 335 (6.5 x 52.6)
ME Bucket		1
Bore x Stroke	ø x mm (ø x in)	175 x 1 335 (6.9 x 52.6)
Bucket for LR boom		1
Bore x Stroke	ø x mm (ø x in)	140 x 1 140 (5.5 x 44.9)

Specifications

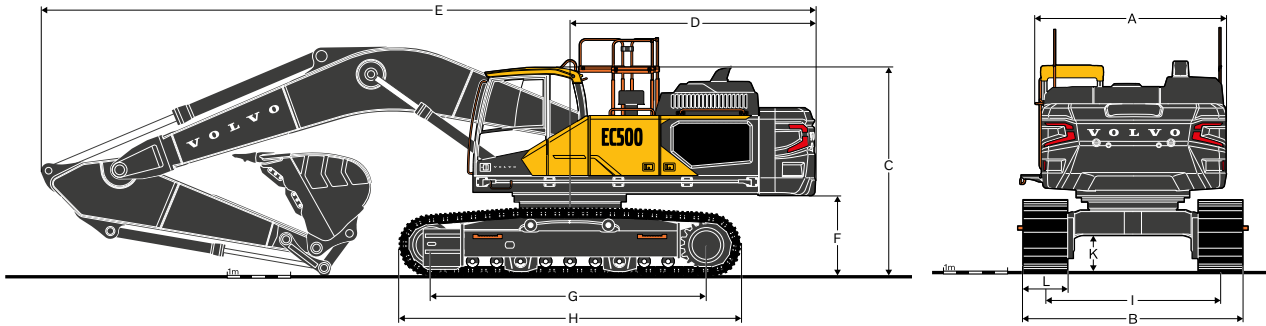


DIMENSIONS

Description	Unit	EC500F Fixed Lower frame															
		6.5 m (21'4")				7.0 m (23'0")				7.4 m (24'3")		9 m (29'6")					
Boom		2.55 m	8'4"	3.0 m	9'10"	2.55 m	8'4"	3.0 m	9'10"	3.35 m	11'0"	3.9 m	12'10"	4.3 m	14'1"	6.0 m	19'8"
A. Overall width of superstructure																	
with walkway, handrail	mm ft in	3,450	11'4"	3,450	11'4"	3,450	11'4"	3,450	11'4"	3,450	11'4"	3,450	11'4"	3,450	11'4"	3,450	11'4"
without walkway, handrail	mm ft in	2,990	9'10"	2,990	9'10"	2,990	9'10"	2,990	9'10"	2,990	9'10"	2,990	9'10"	2,990	9'10"	2,990	9'10"
B. Overall width of undercarriage **																	
600 mm (24 in) shoes	mm ft in	3,340	10'11"	3,340	10'11"	3,340	10'11"	3,340	10'11"	3,340	10'11"	3,340	10'11"	3,340	10'11"	3,340	10'11"
700 mm (28 in) shoes	mm ft in	3,440	11'3"	3,440	11'3"	3,440	11'3"	3,440	11'3"	3,440	11'3"	3,440	11'3"	3,440	11'3"	3,440	11'3"
800 (32 in) mm shoes	mm ft in	3,540	11'7"	3,540	11'7"	3,540	11'7"	3,540	11'7"	3,540	11'7"	3,540	11'7"	3,540	11'7"	3,540	11'7"
900 mm (36 in) shoes	mm ft in	3,640	11'11"	3,640	11'11"	3,640	11'11"	3,640	11'11"	3,640	11'11"	3,640	11'11"	3,640	11'11"	3,640	11'11"
C. Overall height of																	
Cab	mm ft in	3,300	10'10"	3,300	10'10"	3,300	10'10"	3,300	10'10"	3,300	10'10"	3,300	10'10"	3,300	10'10"	3,300	10'10"
FOG	mm ft in	3,390	11'1"	3,390	11'1"	3,390	11'1"	3,390	11'1"	3,390	11'1"	3,390	11'1"	3,390	11'1"	3,390	11'1"
Engine hood	mm ft in	3,060	10'0"	3,060	10'0"	3,060	10'0"	3,060	10'0"	3,060	10'0"	3,060	10'0"	3,060	10'0"	3,060	10'0"
Guardrail, unfolded	mm ft in	3,640	11'11"	3,640	11'11"	3,640	11'11"	3,640	11'11"	3,640	11'11"	3,640	11'11"	3,640	11'11"	3,640	11'11"
Guardrail, folded	mm ft in	3,160	10'4"	3,160	10'4"	3,160	10'4"	3,160	10'4"	3,160	10'4"	3,160	10'4"	3,160	10'4"	3,160	10'4"
Handrail, unfolded	mm ft in	3,400	11'2"	3,400	11'2"	3,400	11'2"	3,400	11'2"	3,400	11'2"	3,400	11'2"	3,400	11'2"	3,400	11'2"
Handrail, folded	mm ft in	3,160	10'4"	3,160	10'4"	3,160	10'4"	3,160	10'4"	3,160	10'4"	3,160	10'4"	3,160	10'4"	3,160	10'4"
With Boom/Arm/Bucket (with hydraulic hoses)	mm ft in	4,270	14'0"	4,100	13'5"	4,270	14'0"	4,020	13'2"	3,830	12'7"	3,910	12'10"	3,650	12'0"	5,640	18'6"
With Boom/Arm (with hydraulic hoses)	mm ft in	3,710	12'2"	3,780	12'5"	3,690	12'1"	3,770	12'4"	3,830	12'7"	3,910	12'10"	3,650	12'0"	5,640	18'6"
With Boom (with hydraulic hoses)	mm ft in	3,170	10'5"	3,170	10'5"	3,150	10'4"	3,150	10'4"	3,150	10'4"	3,150	10'4"	2,940	9'8"	3,380	11'1"
D. Tail swing radius	mm ft in	3,880	12'9"	3,880	12'9"	3,880	12'9"	3,880	12'9"	3,880	12'9"	3,880	12'9"	3,880	12'9"	3,880	12'9"
E. Overall length																	
With Boom/Arm/Bucket	mm ft in	11,780	38'8"	11,720	38'5"	12,280	40'3"	12,220	40'1"	12,220	40'1"	12,220	40'1"	12,660	41'6"	13,700	44'11"
With Boom/Arm	mm ft in	11,570	38'0"	11,670	38'3"	12,170	39'11"	12,200	40'0"	12,220	40'1"	12,220	40'1"	12,660	41'6"	13,700	44'11"
With Boom	mm ft in	10,330	33'11"	10,330	33'11"	10,850	35'7"	10,850	35'7"	10,850	35'7"	10,850	35'7"	11,270	37'0"	12,930	42'5"
F. Counterweight clearance without shoe grouser ***																	
	mm ft in	1,210	4'0"	1,210	4'0"	1,210	4'0"	1,210	4'0"	1,210	4'0"	1,210	4'0"	1,210	4'0"	1,210	4'0"
G. Tumbler length																	
	mm ft in	4,380	14'4"	4,380	14'4"	4,380	14'4"	4,380	14'4"	4,380	14'4"	4,380	14'4"	4,380	14'4"	4,380	14'4"
H. Track length																	
	mm ft in	5,380	17'8"	5,380	17'8"	5,380	17'8"	5,380	17'8"	5,380	17'8"	5,380	17'8"	5,380	17'8"	5,380	17'8"
I. Track gauge																	
	mm ft in	2,740	9'0"	2,740	9'0"	2,740	9'0"	2,740	9'0"	2,740	9'0"	2,740	9'0"	2,740	9'0"	2,740	9'0"
K. Min. ground clearance ***																	
	mm ft in	475	1'7"	475	1'7"	475	1'7"	475	1'7"	475	1'7"	475	1'7"	475	1'7"	475	1'7"

** Shoe end to end

*** Without shoe grouser



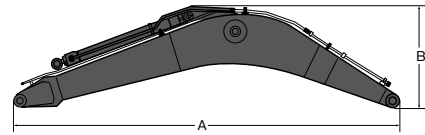
DIMENSIONS

Description	Unit	EC500F Retractable Lower frame															
		6.5 m (21'4")				7.0 m (23'0")				7.4 m (24'3")		9 m (29'6")					
Boom		2.55 m	8'4"	3.0 m	9'10"	2.55 m	8'4"	3.0 m	9'10"	3.35 m	11'0"	3.9 m	12'10"	4.3 m	14'1"	6.0 m	19'8"
A. Overall width of superstructure																	
with walkway	mm ft in	3,450	11'4"	3,450	11'4"	3,450	11'4"	3,450	11'4"	3,450	11'4"	3,450	11'4"	3,450	11'4"	3,450	11'4"
without walkway	mm ft in	2,990	9'10"	2,990	9'10"	2,990	9'10"	2,990	9'10"	2,990	9'10"	2,990	9'10"	2,990	9'10"	2,990	9'10"
B. Overall width of undercarriage **																	
Retracted																	
600 mm (24 in) shoes	mm ft in	2,990	9'10"	2,990	9'10"	2,990	9'10"	2,990	9'10"	2,990	9'10"	2,990	9'10"	2,990	9'10"	2,990	9'10"
700 mm (28 in) shoes	mm ft in	3,090	10'2"	3,090	10'2"	3,090	10'2"	3,090	10'2"	3,090	10'2"	3,090	10'2"	3,090	10'2"	3,090	10'2"
800 (32 in) mm shoes	mm ft in	3,190	10'6"	3,190	10'6"	3,190	10'6"	3,190	10'6"	3,190	10'6"	3,190	10'6"	3,190	10'6"	3,190	10'6"
900 mm (36 in) shoes	mm ft in	3,290	10'10"	3,290	10'10"	3,290	10'10"	3,290	10'10"	3,290	10'10"	3,290	10'10"	3,290	10'10"	3,290	10'10"
Extended																	
600 mm (24 in) shoes	mm ft in	3,490	11'5"	3,490	11'5"	3,490	11'5"	3,490	11'5"	3,490	11'5"	3,490	11'5"	3,490	11'5"	3,490	11'5"
700 mm (28 in) shoes	mm ft in	3,590	11'9"	3,590	11'9"	3,590	11'9"	3,590	11'9"	3,590	11'9"	3,590	11'9"	3,590	11'9"	3,590	11'9"
800 (32 in) mm shoes	mm ft in	3,690	12'1"	3,690	12'1"	3,690	12'1"	3,690	12'1"	3,690	12'1"	3,690	12'1"	3,690	12'1"	3,690	12'1"
900 mm (36 in) shoes	mm ft in	3,790	12'5"	3,790	12'5"	3,790	12'5"	3,790	12'5"	3,790	12'5"	3,790	12'5"	3,790	12'5"	3,790	12'5"
C. Overall height of																	
Cab	mm ft in	3,410	11'2"	3,410	11'2"	3,410	11'2"	3,410	11'2"	3,410	11'2"	3,410	11'2"	3,410	11'2"	3,410	11'2"
FOG	mm ft in	3,500	11'6"	3,500	11'6"	3,500	11'6"	3,500	11'6"	3,500	11'6"	3,500	11'6"	3,500	11'6"	3,500	11'6"
Engine hood	mm ft in	3,170	10'5"	3,170	10'5"	3,170	10'5"	3,170	10'5"	3,170	10'5"	3,170	10'5"	3,170	10'5"	3,170	10'5"
Guardrail, unfolded	mm ft in	3,750	12'4"	3,750	12'4"	3,750	12'4"	3,750	12'4"	3,750	12'4"	3,750	12'4"	3,750	12'4"	3,750	12'4"
Guardrail, folded	mm ft in	3,270	10'9"	3,270	10'9"	3,270	10'9"	3,270	10'9"	3,270	10'9"	3,270	10'9"	3,270	10'9"	3,270	10'9"
Handrail, unfolded	mm ft in	3,510	11'6"	3,510	11'6"	3,510	11'6"	3,510	11'6"	3,510	11'6"	3,510	11'6"	3,510	11'6"	3,510	11'6"
Handrail, folded	mm ft in	3,270	10'9"	3,270	10'9"	3,270	10'9"	3,270	10'9"	3,270	10'9"	3,270	10'9"	3,270	10'9"	3,270	10'9"
With Boom/Arm/Bucket (with hydraulic hoses)	mm ft in	4,310	14'2"	4,120	13'6"	4,220	13'10"	4,050	13'3"	3,890	12'9"	3,910	12'10"	3,630	11'11"	5,510	18'1"
With Boom/Arm (with hydraulic hoses)	mm ft in	3,730	12'3"	3,790	12'5"	3,720	12'2"	3,790	12'5"	3,890	12'9"	3,910	12'10"	3,630	11'11"	5,510	18'1"
With Boom (with hydraulic hoses)	mm ft in	3,220	10'7"	3,220	10'7"	3,220	10'7"	3,220	10'7"	3,220	10'7"	3,220	10'7"	3,000	9'10"	3,450	11'4"
D. Tail swing radius	mm ft in	3,880	12'9"	3,880	12'9"	3,880	12'9"	3,880	12'9"	3,880	12'9"	3,880	12'9"	3,880	12'9"	3,880	12'9"
E. Overall length																	
With Boom/Arm/Bucket	mm ft in	11,780	38'8"	11,720	38'5"	12,280	40'3"	12,220	40'1"	12,200	40'0"	12,200	40'0"	12,630	41'5"	13,770	45'2"
With Boom/Arm	mm ft in	11,550	37'11"	11,630	38'2"	12,150	39'10"	12,180	40'	12,200	40'0"	12,200	40'0"	12,630	41'5"	13,770	45'2"
With Boom	mm ft in	10,280	33'9"	10,280	33'9"	10,820	35'6"	10,820	35'6"	10,820	35'6"	10,820	35'6"	11,230	36'10"	13,900	45'7"
F. Counterweight clearance without shoe grouser ***	mm ft in	1,320	4'4"	1,320	4'4"	1,320	4'4"	1,320	4'4"	1,320	4'4"	1,320	4'4"	1,320	4'4"	1,320	4'4"
G. Tumbler length	mm ft in	4,380	14'4"	4,380	14'4"	4,380	14'4"	4,380	14'4"	4,380	14'4"	4,380	14'4"	4,380	14'4"	4,380	14'4"
H. Track length	mm ft in	5,380	17'8"	5,380	17'8"	5,380	17'8"	5,380	17'8"	5,380	17'8"	5,380	17'8"	5,380	17'8"	5,380	17'8"
I. Track gauge																	
Retracted	mm ft in	2,390	7'10"	2,390	7'10"	2,390	7'10"	2,390	7'10"	2,390	7'10"	2,390	7'10"	2,390	7'10"	2,390	7'10"
Extended	mm ft in	2,890	9'6"	2,890	9'6"	2,890	9'6"	2,890	9'6"	2,890	9'6"	2,890	9'6"	2,890	9'6"	2,890	9'6"
K. Min. ground clearance ***	mm ft in	710	2'4"	710	2'4"	710	2'4"	710	2'4"	710	2'4"	710	2'4"	710	2'4"	710	2'4"

** Shoe end to end

*** Without shoe grouser

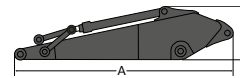
Specifications



BOOM

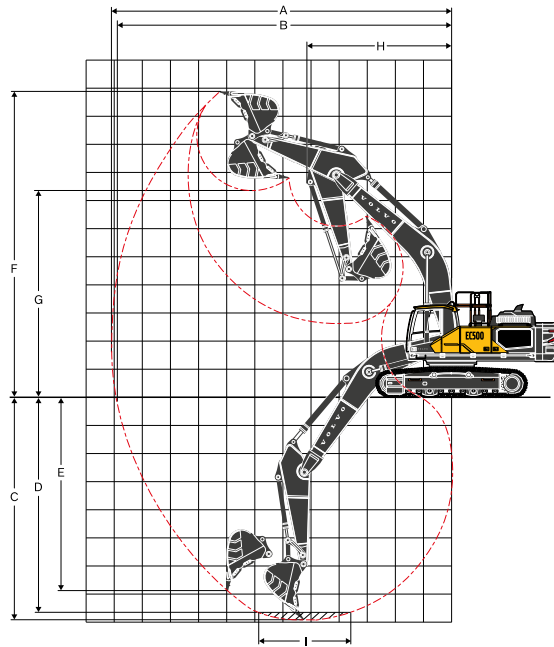
Description	Unit		6.5 m (21'4") ME		7.0 m (23'0") HD		7.4 m (24'3") GP		9.0 m (29'6") LR	
Length	mm	ft in	6,780	22'3"	7,280	23'11"	7,680	25'2"	9,280	30'5"
Height	mm	ft in	1,850	6'1"	1,760	5'9"	1,615	5'4"	1,860	6'1"
Width	mm	ft in	906	3'0"	906	3'0"	906	3'0"	906	3'0"
Weight*	kg	lb	4,730	10,430	4,630	10,210	6,740	10,450	5,210	11,490

* Includes cylinder, piping and pins



ARM

Description	Unit		2.55 m (8'4") ME		3.0 m (3'0") HD		3.35 m (11'0") HD		3.9 m (12'10") GP		4.3 m (14'1") GP		6.0 m (19'8") LR	
Length	mm	ft in	3,750	12'4"	4,220	13'10"	4,570	15'0"	5,120	16'10"	5,610	18'5"	7,180	23'7"
Height	mm	ft in	1,280	4'2"	1,280	4'2"	1,280	4'2"	1,280	4'2"	1,260	4'2"	1,150	3'9"
Width	mm	ft in	470	1'7"	470	1'7"	470	1'7"	470	1'7"	470	1'7"	422	1'5"
Weight*	kg	lb	2,520	5,560	2,740	6,040	2,730	6,020	2,880	6,350	3,040	6,700	2,750	6,060



WORKING RANGES

Description	Unit	EC500F Fixed undercarriage*															
		6.5 m / 21'4" ME				7.0 m / 23'0" HD						7.4 m / 24'3" GP		9.0 m / 29'6" LR			
		2.55 m	8'4"	3.0 m	9'10"	2.55 m	8'4"	3.0 m	9'10"	3.35 m	11'0"	3.9 m	12'10"	4.3 m	14'1"	6.0 m	19'8"
A. Max Digging Reach	mm ft in	10 935	35'11"	11 295	37'1"	11 455	37'7"	11 820	38'9"	12 145	39'10"	12 645	41'6"	13 090	42'11"	16 455	54'
B. Max Digging Reach on the Ground	mm ft in	10 690	35'1"	11 060	36'3"	11 220	36'10"	11 590	38'0"	11 925	39'1"	12 435	40'10"	12 890	42'3"	16 295	53'6"
C. Max Digging Depth	mm ft in	6 585	21'7"	7 035	23'1"	7 030	23'1"	7 480	24'6"	7 830	25'8"	8 380	27'6"	8 860	29'1"	11 865	38'11"
D. Max Digging Depth (2.44 m / 8'0" level)	mm ft in	6 420	21'1"	6 885	22'7"	6 860	22'6"	7 325	24'0"	7 685	25'3"	8 250	27'1"	8 725	28'8"	11 770	38'7"
E. Max Vertical Wall Digging Depth	mm ft in	5 825	19'1"	6 000	19'8"	6 270	20'7"	6 465	21'3"	6 795	22'4"	7 235	23'9"	6 725	22'1"	11 245	36'11"
F. Max Cutting Height	mm ft in	10 560	34'8"	10 550	34'7"	10 915	35'10"	10 915	35'10"	11 065	36'4"	11 235	36'10"	11 060	36'3"	13 750	45'1"
G. Max Dumping Height	mm ft in	6 960	22'10"	7 015	23'0"	7 310	24'	7 370	24'2"	7 525	24'8"	7 710	25'4"	7 735	25'5"	10 700	35'1"
H. Min front slew radius	mm ft in	4 815	15'10"	4 800	15'9"	5 210	17'1"	5 170	17'	5 135	16'10"	5 050	16'7"	5 130	16'10"	6 610	21'8"

Description	Unit	EC500F Retractable undercarriage*															
		6.5 m / 21'4" ME				7.0 m / 23'0" HD						7.4 m / 24'3" GP		9.0 m / 29'6" LR			
		2.55 m	8'4"	3.0 m	9'10"	2.55 m	8'4"	3.0 m	9'10"	3.35 m	11'0"	3.9 m	12'10"	4.3 m	14'1"	6.0 m	19'8"
A. Max Digging Reach	mm ft in	10 935	35'11"	11 295	37'1"	11 455	37'7"	11 820	38'9"	12 145	39'10"	12 645	41'6"	13 090	42'11"	16 455	54'
B. Max Digging Reach on the Ground	mm ft in	10 665	35'	11 035	36'2"	11 200	36'9"	11 570	38'	11 905	39'1"	12 415	40'9"	12 870	42'3"	16 280	53'5"
C. Max Digging Depth	mm ft in	6 475	21'3"	6 925	22'9"	6 920	22'8"	7 370	24'2"	7 720	25'4"	8 270	27'2"	8 750	28'8"	11 755	38'7"
D. Max Digging Depth (2.44 m / 8'0" level)	mm ft in	6 310	20'8"	6 775	22'3"	6 750	22'2"	7 215	23'8"	7 575	24'10"	8 140	26'8"	8 615	28'3"	11 660	38'3"
E. Max Vertical Wall Digging Depth	mm ft in	5 715	18'9"	5 890	19'4"	6 160	20'3"	6 355	20'10"	6 685	21'11"	7 125	23'5"	6 615	21'8"	11 130	36'6"
F. Max Cutting Height	mm ft in	10 670	35'0"	10 660	35'	11 025	36'2"	11 025	36'2"	11 175	36'8"	11 345	37'3"	11 170	36'8"	13 860	45'6"
G. Max Dumping Height	mm ft in	7 070	23'2"	7 125	23'5"	7 420	24'4"	7 480	24'6"	7 635	25'1"	7 820	25'8"	7 845	25'9"	10 810	35'6"
H. Min front slew radius	mm ft in	4 815	15'10"	4 800	15'9"	5 210	17'1"	5 170	17'	5 135	16'10"	5 050	16'7"	5 130	16'10"	6 610	21'8"

DIGGING FORCES WITH DIRECT FIT BUCKET

Breakout force - bucket	SAE J1179, Normal	kN lbf	249	56,070	249	56,070	230	51,790	230	51,790	230	51,790	230	51,790	230	51,790	163	36,670
	SAE J1179, Power Boost	kN lbf	272	61,170	272	61,170	251	56,500	251	56,500	251	56,500	251	56,500	251	56,500	178	40,000
	ISO 6015, Normal	kN lbf	281	63,210	281	63,210	261	58,740	261	58,740	261	58,740	261	58,740	261	58,740	183	41,150
	ISO 6015, Power Boost	kN lbf	307	68,960	307	68,960	285	64,080	285	64,080	285	64,080	285	64,080	285	64,080	200	44,890
Tearout force - digger arm	SAE J1179, Normal	kN lbf	224	50,460	206	46,220	231	51,890	211	47,440	197	44,190	176	39,510	173	38,970	130	29,230
	SAE J1179, Power Boost	kN lbf	245	55,050	224	50,420	252	56,610	230	51,760	214	48,210	192	43,100	189	42,510	142	31,890
	ISO 6015, Normal	kN lbf	232	52,060	211	47,490	237	53,300	216	48,520	201	45,080	179	40,170	176	39,550	132	29,650
	ISO 6015, Power Boost	kN lbf	253	56,800	230	51,800	259	58,150	235	52,930	219	49,180	195	43,820	192	43,150	144	32,340
Rotation angle, bucket		°	179		179		179		179		179		179		179		177	

*Machine with pin-on bucket

Specifications

GROUND PRESSURE

Description	Shoe width		Operating weight		Ground pressure		Overall width		Operating weight		Ground pressure		Overall width	
	mm	in	kg	lb	kPa	psi	mm	ft in	kg	lb	kPa	psi	mm	ft in
Triple grouser	600	24	49,670	109,520	85.9	12.5	3,340	10'11"	50,940	112,320	88.1	12.8	3,490	11'5"
	700	28	49,780	109,760	74.4	10.8	3,440	11'3"	51,050	112,570	76.3	11.1	3,590	11'9"
	800	32	50,170	110,620	65.8	9.5	3,540	11'7"	51,440	113,430	67.4	9.8	3,690	12'1"
	900	36	50,680	111,750	59.0	8.6	3,640	11'11"	51,940	114,530	60.5	8.8	3,790	12'5"
Triple grouser (HD)	600 (HD)	24 (HD)	51,180	112,850	86.1	12.5	3,340	10'11"	52,450	115,650	88.3	12.8	3,490	11'5"
Double grouser	600	24	49,720	109,630	86.0	12.5	3,340	10'11"	50,990	112,430	88.2	12.8	3,490	11'5"
			EC500F L with FIXED undercarriage, 7.0 m / 23'0" boom, 3.35 m / 11'0" arm, 2,500 kg / 5,510 lb bucket, 10,250 kg / 22,600 lb counterweight						EC500F L with RETRACTABLE undercarriage, 7.0 m / 23'0" boom, 3.35 m / 11'0" arm, 2,500 kg / 5,510 lb bucket, 10,250 kg / 22,600 lb counterweight					
Description	Shoe width		Operating weight		Ground pressure		Overall width		Operating weight		Ground pressure		Overall width	
	mm	in	kg	lb	kPa	psi	mm	ft in	kg	lb	kPa	psi	mm	ft in
Triple grouser	600	24	49,820	109,850	86.2	12.5	3,340	10'11"	51,090	112,650	88.4	12.8	3,490	11'5"
	700	28	50,320	110,960	74.6	10.8	3,440	11'3"	51,590	113,760	76.5	11.1	3,590	11'9"
	800	32	50,830	112,080	66.0	9.6	3,540	11'7"	52,090	114,860	67.6	9.8	3,690	12'1"
	900	36	51,330	113,180	59.2	8.6	3,640	11'11"	52,600	115,980	60.7	8.8	3,790	12'5"
Triple grouser (HD)	600 (HD)	24 (HD)	49,930	110,100	86.4	12.5	3,340	10'11"	51,200	112,900	88.6	12.8	3,490	11'5"
Double grouser	600	24	49,870	109,960	86.3	12.5	3,340	10'11"	51,140	112,760	88.5	12.8	3,490	11'5"
			EC500F L with FIXED undercarriage, 7.0 m / 23'0" boom, 3.9 m / 12'10" arm, 2,500 kg / 5,510 lb bucket, 10,250 kg / 22,600 lb counterweight						EC500F L with RETRACTABLE undercarriage, 7.0 m / 23'0" boom, 3.9 m / 12'10" arm, 2,500 kg / 5,510 lb bucket, 10,250 kg / 22,600 lb counterweight					
Description	Shoe width		Operating weight		Ground pressure		Overall width		Operating weight		Ground pressure		Overall width	
	mm	in	kg	lb	kPa	psi	mm	ft in	kg	lb	kPa	psi	mm	ft in
Triple grouser	600	24	49,960	110,160	86.4	12.5	3,340	10'11"	51,230	112,960	88.6	12.8	3,490	11'5"
	700	28	50,460	111,260	74.8	10.8	3,440	11'3"	51,730	114,060	76.7	11.1	3,590	11'9"
	800	32	50,970	112,390	66.1	9.6	3,540	11'7"	52,230	115,170	67.8	9.8	3,690	12'1"
	900	36	51,470	113,490	59.4	8.6	3,640	11'11"	52,740	116,290	60.8	8.8	3,790	12'5"
Triple grouser (HD)	600 (HD)	24 (HD)	50,070	110,400	86.6	12.6	3,340	10'11"	51,340	113,200	88.8	12.9	3,490	11'5"
Double grouser	600	24	50,010	110,270	86.5	12.5	3,340	10'11"	51,280	113,070	88.7	12.9	3,490	11'5"
			EC500F L with FIXED undercarriage, 7.4 m / 24'3" boom, 4.3 m / 14'1" arm, 2,370 kg / 5,230 lb bucket, 10,250 kg / 22,600 lb counterweight						EC500F L with RETRACTABLE undercarriage, 7.4 m / 24'3" boom, 4.3 m / 14'1" arm, 2,370 kg / 5,230 lb bucket, 10,250 kg / 22,600 lb counterweight					
Description	Shoe width		Operating weight		Ground pressure		Overall width		Operating weight		Ground pressure		Overall width	
	mm	in	kg	lb	kPa	psi	mm	ft in	kg	lb	kPa	psi	mm	ft in
Triple grouser	600	24	49,280	108,660	85.3	12.4	3,340	10'11"	50,550	111,460	87.5	12.7	3,490	11'5"
	700	28	49,780	109,760	73.8	10.7	3,440	11'3"	51,050	112,570	75.7	11.0	3,590	11'9"
	800	32	50,290	110,890	65.3	9.5	3,540	11'7"	51,550	113,670	66.9	9.7	3,690	12'1"
	900	36	50,790	111,990	58.6	8.5	3,640	11'11"	52,060	114,790	60.0	8.7	3,790	12'5"
Triple grouser (HD)	600 (HD)	24 (HD)	49,390	108,900	85.5	12.4	3,340	10'11"	50,660	111,710	87.6	12.7	3,490	11'5"
Double grouser	600	24	49,330	108,770	85.3	12.4	3,340	10'11"	50,600	111,570	87.5	12.7	3,490	11'5"
			EC500F LR with FIXED undercarriage, 9.0 m / 29'6" boom, 6.0 m / 19'8" arm, 1,160 kg / 2,560 lb bucket, 10,600 kg / 23,370 lb counterweight						EC500F LR with RETRACTABLE undercarriage, 9.0 m / 29'6" boom, 6.0 m / 19'8" arm, 1,160 kg / 2,560 lb bucket, 10,600 kg / 23,370 lb counterweight					

BUCKET SELECTION GUIDE

Bucket type		Capacity		Cutting width		Weight		Teeth	EC500F L Fixed undercarriage						
									900 mm (36") shoe, 10,250 kg (22,600 lb) counterweight						
								EA	6.5 m (21'4")		7.0 m (23')			7.4 m (24'3")	
		m ³	yd ³	mm	ft/in	kg	lb		2.55 m (8'4")	3.0 m (9'10")	2.55 m (8'4")	3.0 m (9'10")	3.35 m (11')	3.9 m (12'10")	4.3 m (14'1")
Direct fit Buckets	Fixed Ditching	1.54	2.01	1,800	5'11"	1,210	2,660	0	C	C	C	C	C	C	C
	High Capacity	3.50	4.58	1,960	6'5"	2,490	5,490	5	C	C	C	B	B	A	x
		3.82	5.00	2,100	6'11"	2,490	5,490	5	C	C	B	B	B	x	x
	General Purpose	1.55	2.03	1,240	4'1"	1,870	4,120	4	C	C	C	C	C	C	C
		1.82	2.38	1,390	4'7"	2,050	4,520	5	C	C	C	C	C	C	C
		2.10	2.75	1,540	5'1"	2,190	4,820	5	C	C	C	C	C	C	C
		2.66	3.48	1,840	6'0"	2,500	5,510	5	C	C	C	C	C	C	B
		2.84	3.71	1,940	6'4"	2,470	5,440	5	C	C	C	C	C	C	B
		3.31	4.33	2,190	7'2"	2,750	6,060	6	C	C	C	B	B	A	x
	Heavy Duty	2.10	2.75	1,540	5'1"	2,370	5,220	5	D	D	D	D	D	D	D
		2.38	3.11	1,690	5'7"	2,500	5,510	5	D	D	D	D	D	C	C
		2.66	3.48	1,840	6'0"	2,670	5,880	5	D	D	D	D	C	C	B
		2.84	3.71	1,940	6'4"	2,740	6,040	5	D	D	D	C	C	B	A
		3.03	3.96	2,020	6'8"	2,890	6,370	5	D	C	C	C	B	B	x
	Extreme Duty	2.66	3.48	1,870	6'2"	2,810	6,190	4	D	D	D	D	C	B	B
		2.84	3.71	1,970	6'6"	3,010	6,630	4	D	D	D	C	B	B	x
		3.03	3.96	2,050	6'9"	3,120	6,870	4	D	C	C	B	B	A	x

Please consult with your Volvo dealer for the proper match of buckets and attachments to suit the application.
 The recommendations are given as a guide only, based on typical operation conditions.
 Bucket capacity based on ISO 7451, heaped material with a 1:1 angle of repose.

Maximum material density
 D: 2,100 kg/m³ (3,500 lb/yd³)
 C: 1,800 kg/m³ (3,100 lb/yd³)
 B: 1,500 kg/m³ (2,500 lb/yd³)
 A: 1,200 kg/m³ (2,000 lb/yd³)
 X : Not recommended

Specifications

BUCKET SELECTION GUIDE

Bucket type		Capacity		Cutting width		Weight		Teeth	EC500F L Retractable undercarriage						
									900 mm (36") shoe, 10,250 kg (22,600 lb) counterweight						
								EA	6.5 m (21'4")		7.0 m (23')			7.4 m (24'3")	
		m ³	yd ³	mm	ft/in	kg	lb		2.55 m (8'4")	3.0 m (9'10")	2.55 m (8'4")	3.0 m (9'10")	3.35 m (11')	3.9 m (12'10")	4.3 m (14'1")
Direct fit Buckets	Fixed Ditching	1.54	2.01	1,800	5'11"	1,210	2,660	0	C	C	C	C	C	C	C
	High Capacity	3.50	4.58	1,960	6'5"	2,490	5,490	5	C	C	C	B	B	A	x
		3.82	5.0	2,100	6'11"	2,490	5,490	5	C	C	B	B	B	x	x
	General Purpose	1.55	2.03	1,240	4'1"	1,870	4,120	4	C	C	C	C	C	C	C
		1.82	2.38	1,390	4'7"	2,050	4,520	5	C	C	C	C	C	C	C
		2.10	2.75	1,540	5'1"	2,190	4,820	5	C	C	C	C	C	C	C
		2.66	3.48	1,840	6'0"	2,500	5,510	5	C	C	C	C	C	C	B
		2.84	3.71	1,940	6'4"	2,470	5,440	5	C	C	C	C	C	C	B
		3.31	4.33	2,190	7'2"	2,750	6,060	6	C	C	C	B	B	A	x
	Heavy Duty	2.10	2.75	1,540	5'1"	2,370	5,220	5	D	D	D	D	D	D	D
		2.38	3.11	1,690	5'7"	2,500	5,510	5	D	D	D	D	D	C	C
		2.66	3.48	1,840	6'0"	2,670	5,880	5	D	D	D	D	C	C	B
		2.84	3.71	1,940	6'4"	2,740	6,040	5	D	D	D	C	C	B	A
		3.03	3.96	2,020	6'8"	2,890	6,370	5	D	C	C	C	B	B	x
	Extreme Duty	2.66	3.48	1,870	6'2"	2,810	6,190	4	D	D	D	D	C	B	B
		2.84	3.71	1,970	6'6"	3,010	6,630	4	D	D	D	C	B	B	x
		3.03	3.96	2,050	6'9"	3,120	6,870	4	D	C	C	B	B	A	x

Please consult with your Volvo dealer for the proper match of buckets and attachments to suit the application.
The recommendations are given as a guide only, based on typical operation conditions.
Bucket capacity based on ISO 7451, heaped material with a 1:1 angle of repose.

Maximum material density
D: 2,100 kg/m³ (3,500 lb/yd³)
C: 1,800 kg/m³ (3,100 lb/yd³)
B: 1,500 kg/m³ (2,500 lb/yd³)
A: 1,200 kg/m³ (2,000 lb/yd³)
X: Not recommended

BUCKET SELECTION GUIDE

Bucket type		Capacity		Cutting width		Weight		Teeth	EC500F LR Fixed undercarriage		EC500F LR Retractable undercarriage	
									900 mm (36") shoe, 10,600 kg (22,710 lb) counterweight			
								EA	9.0 m (29'6")			
		m ³	yd ³	mm	ft/in	kg	lb		6.0 m (19'8")		6.0 m (19'8")	
Direct fit Buckets	Fixed Ditching	0.95	1.24	1,500	4'11"	800	1,760	6	B		B	
	General Purpose	1.6	2.09	1,640	5'5"	1,160	2,560	-	C		C	

Please consult with your Volvo dealer for the proper match of buckets and attachments to suit the application.
The recommendations are given as a guide only, based on typical operation conditions.
Bucket capacity based on ISO 7451, heaped material with a 1:1 angle of repose.

Maximum material density
D: 2,100 kg/m³ (3,500 lb/yd³)
C: 1,800 kg/m³ (3,100 lb/yd³)
B: 1,500 kg/m³ (2,500 lb/yd³)
A: 1,200 kg/m³ (2,000 lb/yd³)
X: Not recommended

LIFTING CAPACITY EC500F L FIXED undercarriage

Lifting capacity at the arm end without bucket.

For lifting capacity including bucket, simply subtract actual weight of the direct fit bucket or the bucket with quick coupler from the following values.

	Lifting hook related to ground level	1.5 m/5'0"		3.0 m/10'0"		4.5 m/15'0"		6.0 m/20'0"		7.5 m/25'0"		9.0 m/30'0"		10.5 m/35'0"		Max.				
		Along UC	Across UC	Along UC	Across UC	Along UC	Across UC	Along UC	Across UC	Along UC	Across UC	Along UC	Across UC	Along UC	Across UC	Along UC	Across UC			
Boom 6.5 m 21'4" Arm 2.55 m 8'4" Shoe 800 mm 32" Counterweight 10,250 kg 22,600 lb	7.5 m kg																*11,950	11,910	7.3 m	
	25 ft lb																	*26,460	*26,460	23.5 ft
	6.0 m kg								*13,070	*13,070	*11,980	11,240						*11,480	9,780	8.2 m
	20 ft lb								*28,410	*28,410	*26,290	24,180						*25,320	21,770	26.6 ft
	4.5 m kg						*19,490	*19,490	*14,850	*14,850	*12,710	10,940						*11,480	8,680	8.7 m
	15 ft lb						*41,770	*41,770	*32,140	*32,140	*27,690	23,580						*25,290	19,230	28.5 ft
	3.0 m kg						*22,510	21,690	*16,860	14,480	*13,700	10,560						*11,870	8,150	8.9 m
	10 ft lb						*51,200	46,860	*36,450	31,270	*29,760	22,790						*26,150	17,990	29.3 ft
	1.5 m kg						*16,340	*16,340	*13,380	13,900	*14,550	10,240						*12,370	8,020	8.9 m
	5 ft lb						*40,390	*40,390	*39,780	30,000	*31,580	22,090						*27,270	17,680	29.3 ft
	0 m kg						*24,100	20,690	*18,980	13,610	*14,940	10,040						*12,680	8,280	8.7 m
	0 ft lb						*55,700	44,520	*41,150	29,350	*32,390	21,680						*27,960	18,270	28.5 ft
	-1.5 m kg				*17,720	*17,720	*24,350	20,790	*18,550	13,560	*14,510	10,020						*12,970	9,070	8.1 m
	-5 ft lb				*40,440	*40,440	*52,910	44,720	*40,200	29,250	*31,320	21,660						*28,600	20,030	26.6 ft
	-3.0 m kg				*27,940	*27,940	*21,730	21,120	*16,750	13,760								*13,050	10,790	7.2 m
-10 ft lb				*60,790	*60,790	*47,070	45,440	*36,100	29,710								*28,770	23,970	23.6 ft	
-4.5 m kg						*16,670	*16,670												5.8 m	
-15 ft lb						*35,490	*35,490												18.7 ft	
Boom 6.5 m 21'4" Arm 3.0 m 9'10" Shoe 800 mm 32" Counterweight 10,250 kg 22,600 lb	7.5 m kg									*11,030	*11,030						*10,100	*10,100	7.7 m	
	25 ft lb									*22,400	*22,400						*22,360	*22,360	25 ft	
	6.0 m kg									*11,210	*11,210						*9,800	9,080	8.5 m	
	20 ft lb									*24,550	24,330						*21,630	20,210	27.9 ft	
	4.5 m kg						*17,910	*17,910	*13,970	*13,970	*12,050	10,960	*10,790	8,210			*9,880	8,110	9.1 m	
	15 ft lb						*38,420	*38,420	*30,240	*30,240	*26,240	23,620					*21,750	17,970	29.7 ft	
	3.0 m kg						*22,350	21,990	*16,080	14,530	*13,140	10,540	*11,560	8,040			*10,260	7,620	9.3 m	
	10 ft lb						*48,010	47,490	*34,760	31,380	*28,530	22,740	*25,230	17,300			*22,590	16,830	30.5 ft	
	1.5 m kg						*23,460	20,860	*17,810	13,870	*14,120	10,170	*11,980	7,860			*11,020	7,490	9.3 m	
	5 ft lb						*54,140	44,970	*38,530	29,930	*30,640	21,940	*26,060	16,940			*24,250	16,520	30.5 ft	
	0 m kg						*25,640	20,490	*18,700	13,490	*14,700	9,920	*12,080	7,750			*12,000	7,700	9.0 m	
	0 ft lb						*55,590	44,090	*40,520	29,090	*31,870	21,410					*26,470	16,970	29.7 ft	
	-1.5 m kg				*18,310	*18,310	*24,800	20,490	*18,600	13,370	*14,580	9,840					*12,370	8,340	8.5 m	
	-5 ft lb				*41,500	*41,500	*53,830	44,070	*40,300	28,830	*31,530	21,250					*27,300	18,430	27.9 ft	
	-3.0 m kg				*30,440	*30,440	*22,650	20,750	*17,280	13,500	*13,140	10,000					*12,660	9,740	7.7 m	
-10 ft lb				*66,150	*66,150	*49,060	44,650	*37,320	29,120	*27,990	21,650					*27,920	21,610	25.0 ft		
-4.5 m kg						*18,460	*18,460	*13,700	*13,700							*12,500	*12,500	6.3 m		
-15 ft lb						*39,570	*39,570	*28,830	*28,830							*27,490	*27,490	20.5 ft		
Boom 7.0 m 23'0" Arm 2.55 m 8'4" Shoe 800 mm 32" Counterweight 10,250 kg 22,600 lb	9.0 m kg																*11,570	*11,570	6.6 m	
	30 ft lb																*25,690	*25,690	21.3 ft	
	7.5 m kg									*11,020	*11,020						*11,110	10,410	7.9 m	
	25 ft lb									*24,380	*24,380						*24,550	23,350	25.6 ft	
	6.0 m kg								*12,750	*12,750	*11,380	11,200					*11,010	8,760	8.7 m	
	20 ft lb								*27,630	*27,630	*24,840	24,130					*24,280	19,490	28.5 ft	
	4.5 m kg								*14,750	*14,750	*12,310	10,820	*11,140	8,210			*11,080	7,880	9.2 m	
	15 ft lb						*43,430	*43,430	*31,820	*31,820	*26,740	23,350	*24,440	17,650			*24,420	17,440	30.2 ft	
	3.0 m kg								*16,820	14,160	*13,400	10,410	*11,600	8,020			*11,260	7,430	9.5 m	
	10 ft lb								*36,310	30,600	*29,050	22,470	*25,280	17,290			*24,810	16,410	31.1 ft	
	1.5 m kg								*18,280	13,610	*14,300	10,070	*12,030	7,850			*11,510	7,320	9.5 m	
	5 ft lb								*39,530	29,400	*31,010	21,750	*26,140	16,940			*25,370	16,150	31.1 ft	
	0 m kg								*18,810	13,370	*14,770	9,880	*12,140	7,760			*11,800	7,530	9.2 m	
	0 ft lb						*31,560	*31,560	*40,760	28,840	*32,020	21,330	*26,280	16,770			*26,030	16,620	30.2 ft	
	-1.5 m kg						*23,870	20,570	*18,440	13,350	*14,570	9,840					*12,090	8,160	8.7 m	
-5 ft lb						*51,950	44,230	*39,990	28,790	*31,550	21,260					*26,670	18,020	28.5 ft		
-3.0 m kg				*25,920	*25,920	*21,740	20,870	*17,060	13,530	*13,260	10,010					*12,260	9,470	7.9 m		
-10 ft lb				*59,010	*59,010	*47,190	44,880	*36,900	29,190	*28,360	21,680					*27,030	21,010	25.7 ft		
-4.5 m kg						*17,920	*17,920	*13,820	*13,820							*11,950	*11,950	6.6 m		
-15 ft lb						*38,510	*38,510	*29,270	*29,270							*26,250	*26,250	21.3 ft		

Notes: 1. Machine in "Fine Mode-F" (Power Boost) for lifting capacities. 2. The above loads are in compliance with SAE J1097 and ISO 10567 Hydraulic Excavator Lifting Capacity Standards. 3. Rated loads do not exceed 87% of hydraulic lifting capacity or 75% of tipping load. 4. Rated loads marked with an asterisk (*) are limited by hydraulic capacity rather than tipping load.

Specifications

LIFTING CAPACITY EC500F L FIXED undercarriage

Lifting capacity at the arm end without bucket.

For lifting capacity including bucket, simply subtract actual weight of the direct fit bucket or the bucket with quick coupler from the following values.

	Lifting hook related to ground level	1.5 m/ 5'0"		3.0 m/ 10'0"		4.5 m/ 15'0"		6.0 m/ 20'0"		7.5 m/ 25'0"		9.0 m/ 30'0"		10.5 m/ 35'0"		Max.				
		Along UC	Across UC	Along UC	Across UC	Along UC	Across UC	Along UC	Across UC	Along UC	Across UC	Along UC	Across UC	Along UC	Across UC	Along UC	Across UC			
Boom 7.0 m 23'0" Arm 3.0 m 9'10" Shoe 800 mm 32" Counterweight 10,250 kg 22,600 lb	9.0 m kg																*10,550	*10,550	7.2 m	
	30 ft lb																	*23,380	*23,380	23.0 ft
	7.5 m kg									*10,170	*10,170							*10,260	9,580	8.3 m
	25 ft lb									*22,400	*22,400							*22,660	21,470	27.1 ft
	6.0 m kg									*10,690	*10,690	*10,230	8,350					*10,030	8,160	9.1 m
	20 ft lb									*23,320	*23,320							*22,100	18,140	29.8 ft
	4.5 m kg					*18,580	*18,580	*13,870	*13,870	*11,680	10,830	*10,560	8,190					*10,110	7,370	9.6 m
	15 ft lb					*39,700	*39,700	*29,950	*29,950	*25,380	23,370	*23,090	17,630					*22,250	16,310	31.4 ft
	3.0 m kg								*16,040	14,210	*12,850	10,380	*11,130	7,970				*10,480	6,960	9.8 m
	10 ft lb								*34,620	30,700	*27,860	22,410	*24,240	17,170				*23,060	15,360	32.2 ft
	1.5 m kg								*17,710	13,570	*13,870	10,000	*11,670	7,760				*10,840	6,840	9.8 m
	5 ft lb								*38,290	29,290	*30,070	21,590	*25,380	16,730				*23,900	15,090	32.3 ft
	0 m kg					*16,980	*16,980	*18,520	13,230	*14,490	9,750	*11,970	7,620					*11,170	7,010	9.6 m
	0 ft lb					*39,800	*39,800	*40,120	28,540	*31,420	21,050	*25,960	16,460					*24,630	15,460	31.5 ft
	-1.5 m kg			*13,020	*13,020	*24,400	20,220	*18,450	13,150	*14,530	9,670	*11,700	7,620					*11,520	7,530	9.1 m
-5 ft lb			*29,700	*29,700	*53,010	43,480	*39,990	28,350	*31,460	20,870							*25,410	16,620	29.8 ft	
-3.0 m kg			*24,200	*24,200	*22,560	20,480	*17,420	13,270	*13,670	9,770							*11,820	8,610	8.3 m	
-10 ft lb			*54,900	*54,900	*48,940	44,050	*37,690	28,620	*29,430	21,110							*26,070	19,090	27.1 ft	
-4.5 m kg					*19,280	*19,280	*14,920	13,630									*11,860	10,900	7.1 m	
-15 ft lb					*41,530	*41,530	*31,940	29,440									*26,120	24,420	23.0 ft	
Boom 7.0 m 23'0" Arm 3.35 m 11'0" Shoe 800 mm 32" Counterweight 10,250 kg 22,600 lb	9.0 m kg									*9,920	*9,920						*9,590	*9,590	7.6 m	
	30 ft lb																	*21,330	*21,330	24.5 ft
	7.5 m kg									*9,660	*9,660							*9,010	8,980	8.7 m
	25 ft lb									*21,240	*21,240							*19,920	*19,920	28.4 ft
	6.0 m kg									*10,250	*10,250	*9,780	8,460					*8,810	7,740	9.5 m
	20 ft lb									*22,370	*22,370	*21,530	18,180					*19,430	17,200	30.9 ft
	4.5 m kg					*17,440	*17,440	*13,310	*13,310	*11,310	10,950	*10,230	8,270					*8,870	7,030	9.9 m
	15 ft lb					*37,330	*37,330	*28,740	*28,740	*24,560	23,620	*22,360	17,820					*19,550	15,560	32.6 ft
	3.0 m kg					*22,110	21,650	*15,560	14,400	*12,540	10,490	*10,880	8,030					*9,180	6,660	10.2 m
	10 ft lb					*47,410	46,780	*33,590	31,100	*27,190	22,630	*23,690	17,310					*20,210	14,700	33.3 ft
	1.5 m kg					*14,660	*14,660	*17,400	13,710	*13,650	10,080	*11,510	7,800					*9,770	6,550	10.2 m
	5 ft lb					*35,340	*35,340	*37,610	29,590	*29,590	21,750	*25,010	16,820					*21,490	14,430	33.3 ft
	0 m kg					*18,080	*18,080	*18,420	13,310	*14,400	9,800	*11,910	7,640					*10,710	6,690	9.9 m
	0 ft lb					*42,130	*42,130	*39,900	28,710	*31,210	21,150	*25,850	16,480					*23,610	14,750	32.6 ft
	-1.5 m kg			*13,060	*13,060	*24,870	20,210	*18,570	13,170	*14,590	9,680	*11,860	7,590					*11,100	7,130	9.4 m
-5 ft lb			*29,650	*29,650	*53,980	43,460	*40,250	28,390	*31,600	20,880	*25,610	16,400					*24,500	15,760	31.0 ft	
-3.0 m kg			*22,320	*22,320	*23,300	20,420	*17,790	13,240	*13,990	9,720							*11,440	8,060	8.7 m	
-10 ft lb			*50,560	*50,560	*50,510	43,910	*38,510	28,550	*30,180	21,000							*25,250	17,870	28.4 ft	
-4.5 m kg			*27,100	*27,100	*20,380	*20,380	*15,720	13,520	*11,750	10,030							*11,610	9,950	7.5 m	
-15 ft lb			*58,530	*58,530	*43,950	*43,950	*33,760	29,200									*25,590	22,250	24.5 ft	

Notes: 1. Machine in "Fine Mode-F" (Power Boost) for lifting capacities. 2. The above loads are in compliance with SAE J1097 and ISO 10567 Hydraulic Excavator Lifting Capacity Standards. 3. Rated loads do not exceed 87% of hydraulic lifting capacity or 75% of tipping load. 4. Rated loads marked with an asterisk (*) are limited by hydraulic capacity rather than tipping load.

LIFTING CAPACITY EC500F L FIXED undercarriage

Lifting capacity at the arm end without bucket.

For lifting capacity including bucket, simply subtract actual weight of the direct fit bucket or the bucket with quick coupler from the following values.

	Lifting hook related to ground level	1.5 m/5'0"		3.0 m/10'0"		4.5 m/15'0"		6.0 m/20'0"		7.5 m/25'0"		9.0 m/30'0"		10.5 m/35'0"		Max.					
		Along UC	Across UC	Along UC	Across UC	Along UC	Across UC	Along UC	Across UC	Along UC	Across UC	Along UC	Across UC	Along UC	Across UC	Along UC	Across UC				
Boom 7.0 m 23'0" Arm 3.9 m 12'10" Shoe 800 mm 32" Counterweight 10,250 kg 22,600 lb	9.0 m	kg																*7,670	*7,670	8.3 m	
	30 ft	lb																*17,030	*17,030	26.7 ft	
	7.5 m	kg											*8,950	8,690				*7,250	*7,250	9.3 m	
	25 ft	lb											*17,400	*17,400				*16,030	*16,030	30.3 ft	
	6.0 m	kg									*9,500	*9,500	*9,100	8,590				*7,110	*7,110	10.0 m	
	20 ft	lb									*20,730	*20,730	*19,990	18,460				*15,680	*15,680	32.7 ft	
	4.5 m	kg							*12,290	*12,290	*10,610	*10,610	*9,660	8,360				*7,170	6,520	10.4 m	
	15 ft	lb							*26,560	*26,560	*23,050	*23,050	*21,100	18,000				*15,780	14,440	34.2 ft	
	3.0 m	kg					*20,310	*20,310	*14,630	14,620	*11,920	10,590	*10,400	8,080	*8,970	6,350			*7,410	6,190	10.7 m
	10 ft	lb					*43,590	*43,590	*31,600	31,580	*25,850	22,850	*22,640	17,420				*16,290	13,670	35.0 ft	
	1.5 m	kg					*19,980	*19,980	*16,690	13,830	*13,150	10,130	*11,130	7,820	*9,590	6,220			*7,840	6,080	10.7 m
	5 ft	lb					*47,690	44,840	*36,090	29,850	*28,520	21,860	*24,190	16,850				*17,260	13,420	35.0 ft	
	0 m	kg					*19,930	*19,930	*18,020	13,320	*14,070	9,800	*11,680	7,610				*8,540	6,190	10.4 m	
	0 ft	lb					*46,250	43,450	*39,020	28,740	*30,510	21,130	*25,350	16,420				*18,830	13,650	34.2 ft	
	-1.5 m	kg	*9,160	*9,160	*13,080	*13,080	*25,070	20,030	*18,500	13,090	*14,490	9,610	*11,860	7,510				*9,660	6,550	10.0 m	
	-5 ft	lb	*20,470	*20,470	*29,570	*29,570	*54,550	43,100	*40,100	28,230	*31,400	20,740	*25,690	16,200				*21,360	14,460	32.7 ft	
	-3.0 m	kg	*15,370	*15,370	*20,220	*20,220	*24,050	20,150	*18,090	13,080	*14,220	9,590	*11,340	7,550				*10,820	7,280	9.3 m	
	-10 ft	lb	*34,440	*34,440	*45,710	*45,710	*52,130	43,350	*39,180	28,210	*30,750	20,710	*24,310	16,330				*23,890	16,140	30.3 ft	
-4.5 m	kg			*29,520	*29,520	*21,700	20,510	*16,580	13,290	*12,840	9,770						*11,130	8,720	8.2 m		
-15 ft	lb			*64,650	*64,650	*46,850	44,140	*35,720	28,680	*27,450	21,150						*24,550	19,450	26.7 ft		
-6.0 m	kg					*17,340	*17,340	*13,010	*13,010								*11,070	*11,070	6.7 m		
-20 ft	lb					*36,880	*36,880	*27,260	*27,260								*24,320	*24,320	21.4 ft		
Boom 7.4 m 24'3" Arm 4.3 m 14'1" Shoe 800 mm 32" Counterweight 10,250 kg 22,600 lb	9.0 m	kg																*8,260	*8,260	8.8 m	
	30 ft	lb																*18,250	*18,250	28.6 ft	
	7.5 m	kg											*8,200	*8,200				*8,230	7,470	9.8 m	
	25 ft	lb											*18,060	*18,060				*18,140	16,680	32.0 ft	
	6.0 m	kg											*8,570	8,530				*8,310	6,540	10.5 m	
	20 ft	lb											*18,740	18,350				*18,300	14,530	34.3 ft	
	4.5 m	kg							*12,090	*12,090	*10,280	*10,280	*9,200	8,230	*8,570	6,390			*8,460	5,980	10.9 m
	15 ft	lb							*26,110	*26,110	*22,310	*22,310	*20,050	17,740	*18,760	13,720			*18,650	13,230	35.7 ft
	3.0 m	kg					*20,090	*20,090	*14,360	14,310	*11,570	10,360	*9,960	7,900	*8,970	6,210			*8,690	5,660	11.1 m
	10 ft	lb					*43,120	*43,120	*31,000	30,910	*25,070	22,370	*21,660	17,030	*19,560	13,350			*19,140	12,490	36.4 ft
	1.5 m	kg					*18,350	*18,350	*16,310	13,420	*12,760	9,840	*10,690	7,580	*9,370	6,030			*8,960	5,530	11.1 m
	5 ft	lb					*43,500	43,400	*35,250	28,980	*27,650	21,240	*23,220	16,350	*20,390	12,980			*19,750	12,190	36.4 ft
	0 m	kg					*18,050	*18,050	*17,550	12,850	*13,640	9,450	*11,250	7,340	*9,640	5,890			9,180	5,580	10.9 m
	0 ft	lb					*41,710	*41,710	*37,990	27,730	*29,550	20,400	*24,410	15,820	20,850	12,690			20,230	12,320	35.7 ft
	-1.5 m	kg			*12,220	*12,220	*22,070	19,280	*17,980	12,590	*14,050	9,230	*11,490	7,190				9,660	5,860	10.5 m	
	-5 ft	lb			*27,550	*27,550	*50,540	41,470	*38,960	27,140	*30,450	19,920	*24,910	15,510				*21,320	12,930	34.3 ft	
	-3.0 m	kg	*14,210	*14,210	*18,130	*18,130	*23,370	19,390	*17,620	12,550	*13,880	9,180	*11,250	7,170				*10,070	6,440	9.8 m	
	-10 ft	lb	*31,790	*31,790	*40,900	*40,900	*50,670	41,700	*38,160	27,060	*30,030	19,800	*24,270	15,490				*22,230	14,250	32.0 ft	
-4.5 m	kg			*25,410	*25,410	*21,280	19,720	*16,360	12,720	*12,910	9,290						*10,470	7,550	8.8 m		
-15 ft	lb			*57,510	*57,510	*46,020	42,430	*35,320	27,430	*27,780	20,080						*23,130	16,810	28.6 ft		
-6.0 m	kg					*17,750	*17,750	*13,770	13,110								*10,730	9,900	7.4 m		
-20 ft	lb					*38,010	*38,010	*29,350	28,340								*23,670	22,360	23.8 ft		

Notes: 1. Machine in "Fine Mode-F" (Power Boost) for lifting capacities. 2. The above loads are in compliance with SAE J1097 and ISO 10567 Hydraulic Excavator Lifting Capacity Standards. 3. Rated loads do not exceed 87% of hydraulic lifting capacity or 75% of tipping load. 4. Rated loads marked with an asterisk (*) are limited by hydraulic capacity rather than tipping load.

Specifications

LIFTING CAPACITY EC500F L FIXED undercarriage

Lifting capacity at the arm end without bucket.

For lifting capacity including bucket, simply subtract actual weight of the direct fit bucket or the bucket with quick coupler from the following values.

	Lifting hook related to ground level	1.5 m/ 5'0"		3.0 m/ 10'0"		4.5 m/ 15'0"		6.0 m/ 20'0"		7.5 m/ 25'0"		9.0 m/ 30'0"		10.5 m/ 35'0"		Max.				
		Along UC	Across UC	Along UC	Across UC	Along UC	Across UC	Along UC	Across UC	Along UC	Across UC	Along UC	Across UC	Along UC	Across UC	Along UC	Across UC			
Boom 6.5 m 21'4" Arm 2.55 m 8'4" Shoe 900 mm 36" Counterweight 10,250 kg 22,600 lb	7.5 m kg																*11,950	*11,950	7.3 m	
	25 ft lb																	*26,460	*26,460	23.5 ft
	6.0 m kg								*13,070	*13,070	*11,980	11,330						*11,480	9,860	8.2 m
	20 ft lb								*28,410	*28,410	*26,290	24,380						*25,320	21,960	26.6 ft
	4.5 m kg						*19,490	*19,490	*14,850	*14,850	*12,710	11,030						*11,480	8,760	8.7 m
	15 ft lb						*41,770	*41,770	*32,140	*32,140	*27,690	23,780						*25,290	19,400	28.5 ft
	3.0 m kg						*22,510	21,870	*16,860	14,600	*13,700	10,650						*11,870	8,220	8.9 m
	10 ft lb						*51,200	47,260	*36,450	31,530	*29,760	22,980						*26,150	18,160	29.3 ft
	1.5 m kg						*16,340	*16,340	*18,380	14,020	*14,550	10,330						*12,370	8,090	8.9 m
	5 ft lb						*40,390	*40,390	*39,780	30,270	*31,580	22,290						*27,270	17,850	29.3 ft
	0 m kg						*24,100	20,880	*18,980	13,730	*14,940	10,130						*12,680	8,360	8.7 m
	0 ft lb						*55,700	44,910	*41,150	29,610	*32,390	21,870						*27,960	18,440	28.5 ft
	-1.5 m kg				*17,720	*17,720	*24,350	20,970	*18,550	13,690	*14,510	10,120						*12,970	9,150	8.1 m
	-5 ft lb				*40,440	*40,440	*52,910	45,110	*40,200	29,520	*31,320	21,860						*28,600	20,220	26.6 ft
	-3.0 m kg				*27,940	*27,940	*21,730	21,300	*16,750	13,880								*13,050	10,880	7.2 m
-10 ft lb				*60,790	*60,790	*47,070	45,830	*36,100	29,970								*28,770	24,180	23.6 ft	
-4.5 m kg						*16,670	*16,670												5.8 m	
-15 ft lb						*35,490	*35,490												18.7 ft	
Boom 6.5 m 21'4" Arm 3.0 m 9'10" Shoe 900 mm 36" Counterweight 10,250 kg 22,600 lb	7.5 m kg									*11,030	*11,030						*10,100	*10,100	7.7 m	
	25 ft lb									*22,400	*22,400						*22,360	*22,360	25 ft	
	6.0 m kg									*11,210	*11,210						*9,800	9,160	8.5 m	
	20 ft lb									*24,550	24,530						*21,630	20,380	27.9 ft	
	4.5 m kg						*17,910	*17,910	*13,970	*13,970	*12,050	11,050	*10,790	8,280			*9,880	8,190	9.1 m	
	15 ft lb						*38,420	*38,420	*30,240	*30,240	*26,240	23,820					*21,750	18,130	29.7 ft	
	3.0 m kg						*22,350	22,180	*16,080	14,660	*13,140	10,630	*11,560	8,110			*10,260	7,690	9.3 m	
	10 ft lb						*48,010	47,890	*34,760	31,640	*28,530	22,940	*25,230	17,460			*22,590	16,990	30.5 ft	
	1.5 m kg						*23,460	21,050	*17,810	13,990	*14,120	10,260	*11,980	7,930			*11,020	7,560	9.3 m	
	5 ft lb						*54,140	45,360	*38,530	30,200	*30,640	22,140	*26,060	17,100			*24,250	16,670	30.5 ft	
	0 m kg						*25,640	20,670	*18,700	13,610	*14,700	10,010	*12,080	7,820			*12,000	7,770	9.0 m	
	0 ft lb						*55,590	44,480	*40,520	29,350	*31,870	21,610					*26,470	17,130	29.7 ft	
	-1.5 m kg				*18,310	*18,310	*24,800	20,670	*18,600	13,490	*14,580	9,930					*12,370	8,420	8.5 m	
	-5 ft lb				*41,500	*41,500	*53,830	44,470	*40,300	29,100	*31,530	21,450					*27,300	18,600	27.9 ft	
	-3.0 m kg				*30,440	*30,440	*22,650	20,930	*17,280	13,620	*13,140	10,090					*12,660	9,830	7.7 m	
-10 ft lb				*66,150	*66,150	*49,060	45,040	*37,320	29,390	*27,990	21,840					*27,920	21,810	25.0 ft		
-4.5 m kg						*18,460	*18,460	*13,700	*13,700							*12,500	*12,500	6.3 m		
-15 ft lb						*39,570	*39,570	*28,830	*28,830							*27,490	*27,490	20.5 ft		
Boom 7.0 m 23'0" Arm 2.55 m 8'4" Shoe 900 mm 36" Counterweight 10,250 kg 22,600 lb	9.0 m kg																*11,570	*11,570	6.6 m	
	30 ft lb																*25,690	*25,690	21.3 ft	
	7.5 m kg										*11,020	*11,020					*11,110	10,490	7.9 m	
	25 ft lb										*24,380	*24,380					*24,550	23,550	25.6 ft	
	6.0 m kg										*12,750	*12,750	*11,380	11,290			*11,010	8,840	8.7 m	
	20 ft lb										*27,630	*27,630	*24,840	24,320			*24,280	19,660	28.5 ft	
	4.5 m kg										*14,750	*14,750	*12,310	10,910	*11,140	8,280	*11,080	7,950	9.2 m	
	15 ft lb										*43,430	*43,430	*31,820	26,740	23,550	*24,440	17,810	*24,420	17,590	30.2 ft
	3.0 m kg										*16,820	14,280	*13,400	10,500	*11,600	8,100	*11,260	7,500	9.5 m	
	10 ft lb										*36,310	30,870	*29,050	22,670	*25,280	17,450	*24,810	16,570	31.1 ft	
	1.5 m kg										*18,280	13,740	*14,300	10,170	*12,030	7,920	*11,510	7,390	9.5 m	
	5 ft lb										*39,530	29,660	*31,010	21,950	*26,140	17,100	*25,370	16,300	31.1 ft	
	0 m kg										*18,810	13,490	*14,770	9,970	*12,140	7,840	*11,800	7,610	9.2 m	
	0 ft lb										*31,560	*31,560	*40,760	29,110	*32,020	21,530	*26,280	16,930	30.2 ft	
	-1.5 m kg										*23,870	20,760	*18,440	13,470	*14,570	9,940	*12,090	8,230	8.7 m	
-5 ft lb										*51,950	44,620	*39,990	29,060	*31,550	21,460	*26,670	18,190	28.5 ft		
-3.0 m kg										*25,920	*25,920	*21,740	21,050	*17,060	13,650	*13,260	10,110	7.9 m		
-10 ft lb										*59,010	*59,010	*47,190	45,280	*36,900	29,450	*28,360	21,880	25.7 ft		
-4.5 m kg										*17,920	*17,920	*13,820	*13,820			*11,950	*11,950	6.6 m		
-15 ft lb										*38,510	*38,510	*29,270	*29,270			*26,250	*26,250	21.3 ft		

Notes: 1. Machine in "Fine Mode-F" (Power Boost) for lifting capacities. 2. The above loads are in compliance with SAE J1097 and ISO 10567 Hydraulic Excavator Lifting Capacity Standards. 3. Rated loads do not exceed 87% of hydraulic lifting capacity or 75% of tipping load. 4. Rated loads marked with an asterisk (*) are limited by hydraulic capacity rather than tipping load.

LIFTING CAPACITY EC500F L FIXED undercarriage

Lifting capacity at the arm end without bucket.

For lifting capacity including bucket, simply subtract actual weight of the direct fit bucket or the bucket with quick coupler from the following values.

	Lifting hook related to ground level	1.5 m/5'0"		3.0 m/10'0"		4.5 m/15'0"		6.0 m/20'0"		7.5 m/25'0"		9.0 m/30'0"		10.5 m/35'0"		Max.				
		Along UC	Across UC	Along UC	Across UC	Along UC	Across UC	Along UC	Across UC	Along UC	Across UC	Along UC	Across UC	Along UC	Across UC	Along UC	Across UC			
Boom 7.0 m 23'0" Arm 3.0 m 9'10" Shoe 900 mm 36" Counterweight 10,250 kg 22,600 lb	9.0 m kg																*10,550	*10,550	7.2 m	
	30 ft lb																	*23,380	*23,380	23.0 ft
	7.5 m kg									*10,170	*10,170							*10,260	9,660	8.3 m
	25 ft lb									*22,400	*22,400							*22,660	21,650	27.1 ft
	6.0 m kg									*10,690	*10,690	*10,230	8,420					*10,030	8,230	9.1 m
	20 ft lb									*23,320	*23,320							*22,100	18,300	29.8 ft
	4.5 m kg					*18,580	*18,580	*13,870	*13,870	*11,680	10,920	*10,560	8,270					*10,110	7,430	9.6 m
	15 ft lb					*39,700	*39,700	*29,950	*29,950	*25,380	23,570	*23,090	17,790					*22,250	16,460	31.4 ft
	3.0 m kg								*16,040	14,330	*12,850	10,470	*11,130	8,040				*10,480	7,020	9.8 m
	10 ft lb								*34,620	30,960	*27,860	22,610	*24,240	17,330				*23,060	15,510	32.2 ft
	1.5 m kg								*17,710	13,690	*13,870	10,090	*11,670	7,830				*10,840	6,910	9.8 m
	5 ft lb								*38,290	29,560	*30,070	21,790	*25,380	16,890				*23,900	15,240	32.3 ft
	0 m kg					*16,980	*16,980	*18,520	13,350	*14,490	9,850	*11,970	7,700					*11,170	7,080	9.6 m
	0 ft lb					*39,800	*39,800	*40,120	28,810	*31,420	21,250	*25,960	16,620					*24,630	15,610	31.5 ft
	-1.5 m kg			*13,020	*13,020	*24,400	20,400	*18,450	13,270	*14,530	9,760	*11,700	7,690					*11,520	7,600	9.1 m
-5 ft lb			*29,700	*29,700	*53,010	43,870	*39,990	28,610	*31,460	21,070							*25,410	16,780	29.8 ft	
-3.0 m kg			*24,200	*24,200	*22,560	20,660	*17,420	13,390	*13,670	9,860							*11,820	8,690	8.3 m	
-10 ft lb			*54,900	*54,900	*48,940	44,450	*37,690	28,880	*29,430	21,310							*26,070	19,270	27.1 ft	
-4.5 m kg					*19,280	*19,280	*14,920	13,750									*11,860	11,000	7.1 m	
-15 ft lb					*41,530	*41,530	*31,940	29,710									*26,120	24,640	23.0 ft	
Boom 7.0 m 23'0" Arm 3.35 m 11'0" Shoe 900 mm 36" Counterweight 10,250 kg 22,600 lb	9.0 m kg									*9,920	*9,920						*9,590	*9,590	7.6 m	
	30 ft lb																	*21,330	*21,330	24.5 ft
	7.5 m kg									*9,660	*9,660							*9,010	*9,010	8.7 m
	25 ft lb									*21,240	*21,240							*19,920	*19,920	28.4 ft
	6.0 m kg									*10,250	*10,250	*9,780	8,540					*8,810	7,810	9.5 m
	20 ft lb									*22,370	*22,370	*21,530	18,340					*19,430	17,350	30.9 ft
	4.5 m kg					*17,440	*17,440	*13,310	*13,310	*11,310	11,040	*10,230	8,350					*8,870	7,090	9.9 m
	15 ft lb					*37,330	*37,330	*28,740	*28,740	*24,560	23,820	*22,360	17,970					*19,550	15,700	32.6 ft
	3.0 m kg					*22,110	21,830	*15,560	14,520	*12,540	10,580	*10,880	8,100					*9,180	6,720	10.2 m
	10 ft lb					*47,410	47,170	*33,590	31,370	*27,190	22,830	*23,690	17,470					*20,210	14,840	33.3 ft
	1.5 m kg					*14,660	*14,660	*17,400	13,830	*13,650	10,170	*11,510	7,870					*9,770	6,610	10.2 m
	5 ft lb					*35,340	*35,340	*37,610	29,860	*29,590	21,950	*25,010	16,980					*21,490	14,570	33.3 ft
	0 m kg					*18,080	*18,080	*18,420	13,430	*14,400	9,890	*11,910	7,710					*10,710	6,750	9.9 m
	0 ft lb					*42,130	*42,130	*39,900	28,970	*31,210	21,350	*25,850	16,640					*23,610	14,890	32.6 ft
	-1.5 m kg			*13,060	*13,060	*24,870	20,390	*18,570	13,290	*14,590	9,770	*11,860	7,660					*11,100	7,200	9.4 m
-5 ft lb			*29,650	*29,650	*53,980	43,850	*40,250	28,660	*31,600	21,080	*25,610	16,560					*24,500	15,910	31.0 ft	
-3.0 m kg			*22,320	*22,320	*23,300	20,600	*17,790	13,360	*13,990	9,810							*11,440	8,140	8.7 m	
-10 ft lb			*50,560	*50,560	*50,510	44,310	*38,510	28,810	*30,180	21,200							*25,250	18,040	28.4 ft	
-4.5 m kg			*27,100	*27,100	*20,380	*20,380	*15,720	13,650	*11,750	10,120							*11,610	10,040	7.5 m	
-15 ft lb			*58,530	*58,530	*43,950	*43,950	*33,760	29,470									*25,590	22,450	24.5 ft	

Notes: 1. Machine in "Fine Mode-F" (Power Boost) for lifting capacities. 2. The above loads are in compliance with SAE J1097 and ISO 10567 Hydraulic Excavator Lifting Capacity Standards. 3. Rated loads do not exceed 87% of hydraulic lifting capacity or 75% of tipping load. 4. Rated loads marked with an asterisk (*) are limited by hydraulic capacity rather than tipping load.

Specifications

LIFTING CAPACITY EC500F L FIXED undercarriage

Lifting capacity at the arm end without bucket.

For lifting capacity including bucket, simply subtract actual weight of the direct fit bucket or the bucket with quick coupler from the following values.

	Lifting hook related to ground level	1.5 m/ 5'0"		3.0 m/ 10'0"		4.5 m/ 15'0"		6.0 m/ 20'0"		7.5 m/ 25'0"		9.0 m/ 30'0"		10.5 m/ 35'0"		Max.					
		Along UC	Across UC	Along UC	Across UC	Along UC	Across UC	Along UC	Across UC	Along UC	Across UC	Along UC	Across UC	Along UC	Across UC	Along UC	Across UC				
Boom 7.0 m 23'0" Arm 3.9 m 12'10" Shoe 900 mm 36" Counterweight 10,250 kg 22,600 lb	9.0 m kg																*7,670	*7,670	8.3 m		
	30 ft lb																	*17,030	*17,030	26.7 ft	
	7.5 m kg												*8,950	8,760				*7,250	*7,250	9.3 m	
	25 ft lb												*17,400	*17,400				*16,030	*16,030	30.3 ft	
	6.0 m kg										*9,500	*9,500	*9,100	8,660				*7,110	*7,110	10.0 m	
	20 ft lb										*20,730	*20,730	*19,990	18,620				*15,680	*15,680	32.7 ft	
	4.5 m kg								*12,290	*12,290	*10,610	*10,610	*9,660	8,430				*7,170	6,590	10.4 m	
	15 ft lb								*26,560	*26,560	*23,050	*23,050	*21,100	18,160				*15,780	14,570	34.2 ft	
	3.0 m kg						*20,310	*20,310	*14,630	*14,630	*11,920	10,680	*10,400	8,160	*8,970	6,410		*7,410	6,250	10.7 m	
	10 ft lb						*43,590	*43,590	*31,600	*31,600	*25,850	23,050	*22,640	17,580				*16,290	13,810	35.0 ft	
	1.5 m kg						*19,980	*19,980	*16,690	13,950	*13,150	10,220	*11,130	7,890	*9,590	6,280		*7,840	6,140	10.7 m	
	5 ft lb						*47,690	45,240	*36,090	30,120	*28,520	22,060	*24,190	17,010				*17,260	13,550	35.0 ft	
	0 m kg						*19,930	*19,930	*18,020	13,450	*14,070	9,890	*11,680	7,680				*8,540	6,250	10.4 m	
	0 ft lb						*46,250	43,840	*39,020	29,000	*30,510	21,330	*25,350	16,580				*18,830	13,780	34.2 ft	
	-1.5 m kg	*9,160	*9,160	*13,080	*13,080	*25,070	20,220	*18,500	13,210	*14,490	9,700	*11,860	7,580					*9,660	6,610	10.0 m	
	-5 ft lb	*20,470	*20,470	*29,570	*29,570	*54,550	43,490	*40,100	28,490	*31,400	20,940	*25,690	16,360					*21,360	14,600	32.7 ft	
	-3.0 m kg	*15,370	*15,370	*20,220	*20,220	*24,050	20,340	*18,090	13,210	*14,220	9,680	*11,340	7,620					*10,820	7,360	9.3 m	
	-10 ft lb	*34,440	*34,440	*45,710	*45,710	*52,130	43,750	*39,180	28,480	*30,750	20,910	*24,310	16,490					*23,890	16,290	30.3 ft	
-4.5 m kg			*29,520	*29,520	*21,700	20,690	*16,580	13,410	*12,840	9,870								*11,130	8,810	8.2 m	
-15 ft lb			*64,650	*64,650	*46,850	44,530	*35,720	28,940	*27,450	21,350								*24,550	19,640	26.7 ft	
-6.0 m kg					*17,340	*17,340	*13,010	*13,010										*11,070	*11,070	6.7 m	
-20 ft lb					*36,880	*36,880	*27,260	*27,260										*24,320	*24,320	21.4 ft	
Boom 7.4 m 24'3" Arm 4.3 m 14'1" Shoe 900 mm 36" Counterweight 10,250 kg 22,600 lb	9.0 m kg																	*8,260	*8,260	8.8 m	
	30 ft lb																		*18,250	*18,250	28.6 ft
	7.5 m kg													*8,200	*8,200				*8,230	7,530	9.8 m
	25 ft lb													*18,060	*18,060				*18,140	16,820	32.0 ft
	6.0 m kg													*8,570	*8,570				*8,310	6,600	10.5 m
	20 ft lb													*18,740	18,510				*18,300	14,670	34.3 ft
	4.5 m kg								*12,090	*12,090	*10,280	*10,280	*9,200	8,310	*8,570	6,450		*8,460	6,040	10.9 m	
	15 ft lb								*26,110	*26,110	*22,310	*22,310	*20,050	17,900	*18,760	13,850		*18,650	13,360	35.7 ft	
	3.0 m kg						*20,090	*20,090	*14,360	*14,360	*11,570	10,450	*9,960	7,970	*8,970	6,270		*8,690	5,710	11.1 m	
	10 ft lb						*43,120	*43,120	*31,000	*31,000	*25,070	22,560	*21,660	17,190	*19,560	13,480		*19,140	12,610	36.4 ft	
	1.5 m kg						*18,350	*18,350	*16,310	13,550	*12,760	9,930	*10,690	7,660	*9,370	6,090		*8,960	5,580	11.1 m	
	5 ft lb						*43,500	*43,500	*35,250	29,240	*27,650	21,430	*23,220	16,510	*20,390	13,110		*19,750	12,320	36.4 ft	
	0 m kg						*18,050	*18,050	*17,550	12,980	*13,640	9,540	*11,250	7,410	*9,640	5,950		9,270	5,640	10.9 m	
	0 ft lb						*41,710	*41,710	*37,990	27,990	*29,550	20,590	*24,410	15,980	*20,930	12,830		20,440	12,450	35.7 ft	
	-1.5 m kg				*12,220	*12,220	*22,070	19,470	*17,980	12,710	*14,050	9,320	*11,490	7,260					*9,660	5,920	10.5 m
	-5 ft lb				*27,550	*27,550	*50,540	41,870	*38,960	27,400	*30,450	20,110	*24,910	15,670					*21,320	13,070	34.3 ft
	-3.0 m kg	*14,210	*14,210	*18,130	*18,130	*23,370	19,570	*17,620	12,680	*13,880	9,270	*11,250	7,240						*10,070	6,500	9.8 m
	-10 ft lb	*31,790	*31,790	*40,900	*40,900	*50,670	42,100	*38,160	27,320	*30,030	20,000	*24,270	15,650						*22,230	14,400	32.0 ft
-4.5 m kg				*25,410	*25,410	*21,280	19,900	*16,360	12,840	*12,910	9,390							*10,470	7,620	8.8 m	
-15 ft lb				*57,510	*57,510	*46,020	42,820	*35,320	27,700	*27,780	20,280							*23,130	16,980	28.6 ft	
-6.0 m kg						*17,750	*17,750	*13,770	13,230									*10,730	10,000	7.4 m	
-20 ft lb						*38,010	*38,010	*29,350	28,600									*23,670	22,570	23.8 ft	

Notes: 1. Machine in "Fine Mode-F" (Power Boost) for lifting capacities. 2. The above loads are in compliance with SAE J1097 and ISO 10567 Hydraulic Excavator Lifting Capacity Standards. 3. Rated loads do not exceed 87% of hydraulic lifting capacity or 75% of tipping load. 4. Rated loads marked with an asterisk (*) are limited by hydraulic capacity rather than tipping load.

LIFTING CAPACITY EC500F LR FIXED undercarriage

Lifting capacity at the arm end without bucket.

For lifting capacity including bucket, simply subtract actual weight of the direct fit bucket or the bucket with quick coupler from the following values.

	Lifting hook related to ground level		1.5 m / 5'0"		3.0 m / 10'0"		4.5 m / 15'0"		6.0 m / 20'0"		7.5 m / 25'0"		9.0 m / 30'0"		
			Along UC	Across UC	Along UC	Across UC	Along UC	Across UC	Along UC	Across UC	Along UC	Across UC	Along UC	Across UC	
Boom 9.0 m 29'6" Arm 6.0 m 19'8" Shoe 900 mm 36" Counterweight 10,600 kg 23,370 lb	12.0 m	kg													
	40 ft	lb													
	10.5 m	kg													
	35 ft	lb													
	9.0 m	kg													
	30 ft	lb													
	7.5 m	kg													
	25 ft	lb													
	6.0 m	kg													
	20 ft	lb													
	4.5 m	kg													
	15 ft	lb													
	3.0 m	kg								*11,710	*11,710	*9,260	*9,260	*7,860	*7,860
	10 ft	lb								*25,200	*25,200	*20,010	*20,010	*17,040	*17,040
	1.5 m	kg								*13,920	13,440	*10,660	9,980	*8,800	7,760
	5 ft	lb								*30,020	29,060	*23,060	21,560	*19,080	16,750
	0 m	kg								*15,550	12,630	*11,840	9,410	*9,640	7,370
	0 ft	lb								*33,600	27,270	*25,620	20,320	*20,900	15,900
	-1.5 m	kg					*8,350	*8,350	*16,540	12,180	*12,690	9,030	*10,300	7,080	
	-5 ft	lb					*19,120	*19,120	*35,810	26,270	*27,480	19,480	*22,330	15,270	
	-3.0 m	kg	*5,620	*5,620	*7,230	*7,230	*11,090	*11,090	*16,990	11,990	*13,190	8,820	*10,730	6,900	
	-10 ft	lb	*12,630	*12,630	*16,330	*16,330	*25,280	*25,280	*36,810	25,840	*28,580	19,030	*23,270	14,890	
	-4.5 m	kg	*8,510	*8,510	*10,420	*10,420	*14,640	*14,640	*16,970	11,980	*13,330	8,760	*10,900	6,840	
	-15 ft	lb	*19,140	*19,140	*23,540	*23,540	*33,350	*33,350	*36,760	25,820	*28,890	18,900	*23,610	14,760	
	-6.0 m	kg	*11,730	*11,730	*14,180	*14,180	*19,250	18,820	*16,470	12,120	*13,080	8,820	*10,730	6,880	
	-20 ft	lb	*26,410	*26,410	*32,100	*32,100	*44,000	40,500	*35,640	26,140	*28,300	19,050	*23,180	14,870	
	-7.5 m	kg	*15,560	*15,560	*18,920	*18,920	*20,040	19,290	*15,400	12,400	*12,320	9,020	*10,070	7,050	
	-25 ft	lb	*35,160	*35,160	*43,030	*43,030	*43,180	41,570	*33,180	26,790	*26,520	19,510	*21,600	15,270	
-9.0 m	kg			*23,860	*23,860	*17,290	*17,290	*13,450	12,870	*10,730	9,400	*8,400	7,430		
-30 ft	lb			*50,810	*50,810	*36,890	*36,890	*28,680	27,860	*22,740	20,400	*17,360	16,220		
	Lifting hook related to ground level	10.5 m / 35'0"		12 m / 40'0"		13.5 m / 45'0"		Max.							
		Along UC	Across UC	Along UC	Across UC	Along UC	Across UC	Along UC	Across UC						
Boom 9.0 m 29'6" Arm 6.0 m 19'8" Shoe 900 mm 36" Counterweight 10,600 kg 23,370 lb	12.0 m	kg							*4,860	*4,860	11.2 m				
	40 ft	lb							*10,840	*10,840	36.1 ft				
	10.5 m	kg			*5,370	*5,370			*4,520	*4,520	12.3 m				
	35 ft	lb			*10,390	*10,390			*10,040	*10,040	40.1 ft				
	9.0 m	kg			*5,220	*5,220			*4,320	*4,320	13.2 m				
	30 ft	lb			*11,590	*11,590			*9,560	*9,560	43.2 ft				
	7.5 m	kg			*5,330	*5,330	*5,470	4,620	*4,210	*4,210	13.9 m				
	25 ft	lb			*11,740	*11,740	*10,650	9,820	*9,290	*9,290	45.4 ft				
	6.0 m	kg			*5,600	*5,600	*5,550	4,560	*4,160	3,980	14.4 m				
	20 ft	lb	*12,610	*12,610	*12,270	12,220	*12,260	9,760	*9,180	8,830	47.1 ft				
	4.5 m	kg	*6,340	*6,340	*5,970	5,500	*5,760	4,460	*4,170	3,760	14.7 m				
	15 ft	lb	*13,810	*13,810	*13,050	11,820	*12,660	9,550	*9,200	8,310	48.2 ft				
	3.0 m	kg	*6,980	6,530	*6,410	5,280	*6,040	4,320	*4,240	3,620	14.8 m				
	10 ft	lb	*15,180	14,080	*13,970	11,370	*13,220	9,280	*9,340	7,990	48.7 ft				
	1.5 m	kg	*7,630	6,220	*6,860	5,070	*6,340	4,190	*4,360	3,560	14.8 m				
	5 ft	lb	*16,580	13,400	*14,940	10,920	*13,850	9,010	*9,620	7,850	48.7 ft				
	0 m	kg	*8,230	5,940	*7,280	4,890	*6,620	4,080	*4,560	3,570	14.7 m				
	0 ft	lb	*17,880	12,820	*15,840	10,530	*14,430	8,770	*10,060	7,870	48.2 ft				
	-1.5 m	kg	*8,720	5,740	*7,630	4,750	*6,710	4,000	*4,840	3,660	14.4 m				
	-5 ft	lb	*18,930	12,370	*16,580	10,230	14,460	8,610	*10,690	8,070	47.1 ft				
	-3.0 m	kg	*9,050	5,600	7,840	4,660	6,680	3,970	*5,240	3,840	13.9 m				
	-10 ft	lb	*19,640	12,090	16,910	10,060	*14,000	8,590	*11,590	8,490	45.5 ft				
	-4.5 m	kg	*9,170	5,560	7,830	4,650			*5,810	4,150	13.2 m				
	-15 ft	lb	*19,860	12,000	16,910	10,060			*12,880	9,190	43.2 ft				
	-6.0 m	kg	*8,970	5,610	*7,450	4,760			*6,660	4,640	12.3 m				
	-20 ft	lb	*19,340	12,140	*15,790	10,370			*14,840	10,340	40.1 ft				
	-7.5 m	kg	*8,180	5,810					*7,280	5,460	11.1 m				
	-25 ft	lb	*17,280	12,640					*16,090	12,230	36.2 ft				
-9.0 m	kg							*7,370	6,930	9.6 m					
-30 ft	lb							*16,240	15,740	30.9 ft					

Notes: 1. Machine in "Fine Mode-F" (Power Boost) for lifting capacities. 2. The above loads are in compliance with SAE J1097 and ISO 10567 Hydraulic Excavator Lifting Capacity Standards. 3. Rated loads do not exceed 87% of hydraulic lifting capacity or 75% of tipping load. 4. Rated loads marked with an asterisk (*) are limited by hydraulic capacity rather than tipping load.

Specifications

LIFTING CAPACITY EC500F L RETRACTABLE undercarriage

Lifting capacity at the arm end without bucket.

For lifting capacity including bucket, simply subtract actual weight of the direct fit bucket or the bucket with quick coupler from the following values.

	Lifting hook related to ground level	1.5 m / 5'0"		3.0 m / 10'0"		4.5 m / 15'0"		6.0 m / 20'0"		7.5 m / 25'0"		9.0 m / 30'0"		10.5 m / 35'0"		Max.				
		Along UC	Across UC	Along UC	Across UC	Along UC	Across UC	Along UC	Across UC	Along UC	Across UC	Along UC	Across UC	Along UC	Across UC	Along UC	Across UC			
Boom 6.5 m 21'4" Arm 2.55 m 8'4" Shoe 800 mm 32" Counterweight 10,250 kg 22,600 lb	7.5 m kg																*11,880	*11,880	7.3 m	
	25 ft lb																	*26,330	*26,330	23.8 ft
	6.0 m kg								*13,180	*13,180	*12,020	*12,020						*11,450	10,410	8.2 m
	20 ft lb								*28,630	*28,630	*26,340	25,970						*25,280	23,170	26.8 ft
	4.5 m kg						*19,840	*19,840	*15,000	*15,000	*12,780	11,750						*11,490	9,300	8.7 m
	15 ft lb						*42,490	*42,490	*32,450	*32,450	*27,830	25,330						*25,310	20,590	28.6 ft
	3.0 m kg								*17,000	15,610	*13,770	11,370						*11,930	8,770	9.0 m
	10 ft lb							*51,740	50,860	*36,740	33,700	*29,910	24,530					*26,250	19,370	29.4 ft
	1.5 m kg							*16,620	*16,620	*18,460	15,040	*14,600	11,050					*12,400	8,670	8.9 m
	5 ft lb							*40,860	*40,860	*39,950	32,460	*31,680	23,840					*27,320	19,120	29.3 ft
	0 m kg							*24,930	22,640	*18,990	14,760	*14,940	10,860					*12,700	9,000	8.6 m
	0 ft lb							*55,590	48,670	*41,160	31,840	*32,390	23,450					*28,010	19,840	28.4 ft
	-1.5 m kg				*18,820	*18,820	*24,210	22,750	*18,470	14,740	*14,420	10,860						*12,980	9,900	8.1 m
	-5 ft lb				*42,850	*42,850	*52,610	48,910	*40,030	31,780	*31,120	23,460						*28,630	21,870	26.4 ft
	-3.0 m kg				*27,570	*27,570	*21,460	*21,460	*16,530	14,960								*13,040	11,870	7.1 m
-10 ft lb				*59,970	*59,970	*46,490	*46,490	*35,620	32,290								*28,740	26,390	23.3 ft	
-4.5 m kg											*11,010	*11,010					*10,060	*10,060	7.8 m	
15 ft lb											*24,090	*24,090					*22,270	*22,270	25.3 ft	
Boom 6.5 m 21'4" Arm 3.0 m 9'10" Shoe 800 mm 32" Counterweight 10,250 kg 22,600 lb	7.5 m kg										*11,260	*11,260					*9,800	9,680	8.6 m	
	25 ft lb										*24,630	*24,630					*21,620	21,530	28.1 ft	
	6.0 m kg						*18,240	*18,240	*14,120	*14,120	*12,130	11,770	*11,170	8,850			*9,900	8,700	9.1 m	
	20 ft lb						*39,120	*39,120	*30,550	*30,550	*26,400	25,380						*21,790	19,260	29.8 ft
	4.5 m kg						*22,630	*22,630	*16,220	15,660	*13,220	11,350	*11,590	8,670			*10,310	8,220	9.3 m	
	15 ft lb						*48,620	*48,620	*35,070	33,810	*28,700	24,480	*25,290	18,660			*22,680	18,140	30.6 ft	
	3.0 m kg						*23,360	22,770	*17,900	15,010	*14,180	10,980	*12,000	8,490			*11,090	8,110	9.3 m	
	10 ft lb						*54,390	49,030	*38,740	32,380	*30,760	23,690	*26,100	18,300			*24,410	17,880	30.5 ft	
	1.5 m kg						*25,620	22,420	*18,730	14,640	*14,710	10,740	*12,060	8,390			*12,030	8,370	9.0 m	
	5 ft lb						*55,560	48,220	*40,580	31,560	*31,910	23,170					*26,530	18,450	29.6 ft	
	0 m kg				*19,120	*19,120	*24,690	22,440	*18,550	14,540	*14,530	10,670						*12,400	9,110	8.5 m
	0 ft lb				*43,280	*43,280	*53,600	48,250	*40,190	31,340	*31,420	23,050						*27,350	20,130	27.8 ft
	-1.5 m kg				*30,100	*30,100	*22,430	*22,430	*17,120	14,690	*12,930	10,850						*12,670	10,710	7.6 m
	-5 ft lb				*65,370	*65,370	*48,570	*48,570	*36,960	31,680								*27,940	23,770	24.8 ft
	-3.0 m kg						*18,030	*18,030	*13,240	*13,240								*12,450	*12,450	6.2 m
-10 ft lb						*38,570	*38,570	*27,690	*27,690								*27,350	*27,350	20.1 ft	
-4.5 m kg																	*11,510	*11,510	6.8 m	
-15 ft lb																	*25,550	*25,550	21.7 ft	
Boom 7.0 m 23'0" Arm 2.55 m 8'4" Shoe 800 mm 32" Counterweight 10,250 kg 22,600 lb	9.0 m kg										*11,010	*11,010					*11,100	11,020	8.0 m	
	30 ft lb										*24,310	*24,310					*24,510	*24,510	25.9 ft	
	7.5 m kg									*12,880	*12,880	*11,430	*11,430					*11,010	9,340	8.8 m
	25 ft lb									*27,890	*27,890	*24,950	*24,950					*24,280	20,780	28.6 ft
	6.0 m kg									*14,900	*14,900	*12,390	11,630	*11,170	8,840			*11,090	8,450	9.3 m
	20 ft lb									*44,250	*44,250	*32,160	*32,160	*26,910	25,090	*24,480	19,010	*24,440	18,700	30.3 ft
	4.5 m kg									*16,960	15,290	*13,470	11,210	*11,630	8,650			*11,280	8,010	9.5 m
	15 ft lb									*36,600	33,020	*29,210	24,210	*25,350	18,650			*24,850	17,690	31.1 ft
	3.0 m kg									*18,350	14,760	*14,350	10,880	*12,050	8,480			*11,530	7,930	9.5 m
	10 ft lb									*39,690	31,850	*31,120	23,500	*26,190	18,300			*25,420	17,480	31.0 ft
	1.5 m kg							*13,970	*13,970	*18,810	14,530	*14,780	10,700	*12,130	8,400			*11,830	8,190	9.2 m
	5 ft lb							*33,490	*33,490	*40,770	31,320	*32,040	23,090	*26,230	18,150			*26,080	18,050	30.1 ft
	0 m kg							*23,750	22,530	*18,380	14,520	*14,530	10,670					*12,110	8,900	8.6 m
	0 ft lb							*51,690	48,400	*39,860	31,310	*31,440	23,050					*26,710	19,660	28.3 ft
	-1.5 m kg				*26,810	*26,810	*21,530	*21,530	*16,910	14,720	*13,070	10,870						*12,260	10,400	7.8 m
-5 ft lb				*58,520	*58,520	*46,720	*46,720	*36,550	31,740	*27,900	23,530						*27,030	23,070	25.4 ft	
-3.0 m kg						*17,530	*17,530	*13,420	*13,420								*11,880	*11,880	6.5 m	
-10 ft lb						*37,630	*37,630	*28,300	*28,300								*26,090	*26,090	20.9 ft	
-4.5 m kg																	*10,510	*10,510	7.3 m	
-15 ft lb																	*23,290	*23,290	23.4 ft	

Notes: 1. Machine in "Fine Mode-F" (Power Boost) for lifting capacities. 2. The above loads are in compliance with SAE J1097 and ISO 10567 Hydraulic Excavator Lifting Capacity Standards. 3. Rated loads do not exceed 87% of hydraulic lifting capacity or 75% of tipping load. 4. Rated loads marked with an asterisk (*) are limited by hydraulic capacity rather than tipping load.

LIFTING CAPACITY EC500F L RETRACTABLE undercarriage

Lifting capacity at the arm end without bucket.

For lifting capacity including bucket, simply subtract actual weight of the direct fit bucket or the bucket with quick coupler from the following values.

	Lifting hook related to ground level	1.5 m / 5'0"		3.0 m / 10'0"		4.5 m / 15'0"		6.0 m / 20'0"		7.5 m / 25'0"		9.0 m / 30'0"		10.5 m / 35'0"		Max.							
		Along UC	Across UC	Along UC	Across UC	Along UC	Across UC	Along UC	Across UC	Along UC	Across UC	Along UC	Across UC	Along UC	Across UC	Along UC	Across UC						
Boom 7.0 m 23'0" Arm 3.0 m 9'10" Shoe 800 mm 32" Counterweight 10,250 kg 22,600 lb	9.0 m kg											*10,180	*10,180					*10,220	10,160	8.4 m			
	30 ft lb											*22,410	*22,410					*22,610	*22,610	27.3 ft			
	7.5 m kg											*10,750	*10,750	*10,230	8,990			*10,020	8,710	9.2 m			
	25 ft lb											*23,440	*23,440					*22,090	19,360	29.9 ft			
	6.0 m kg							*18,940	*18,940	*14,030	*14,030	*11,770	11,640	*10,590	8,820			*10,130	7,910	9.6 m			
	20 ft lb							*40,470	*40,470	*30,290	*30,290	*25,560	25,110	*23,160	18,990			*22,290	17,510	31.5 ft			
	4.5 m kg									*16,190	15,330	*12,930	11,190	*11,170	8,590			*10,530	7,510	9.8 m			
	15 ft lb									*34,930	33,110	*28,040	24,140	*24,330	18,520			*23,150	16,580	32.3 ft			
	3.0 m kg									*17,800	14,700	*13,930	10,810	*11,710	8,390			*10,860	7,410	9.8 m			
	10 ft lb									*38,490	31,730	*30,200	23,330	*25,440	18,090			*23,940	16,350	32.2 ft			
	1.5 m kg									*17,570	*17,570	*18,550	14,380	*14,520	10,570	*11,980	8,260		*11,190	7,620	9.6 m		
	5 ft lb									*41,080	*41,080	*40,180	31,010	*31,470	22,810	*25,960	17,830		*24,680	16,810	31.4 ft		
	0 m kg																		*11,540	8,220	9.0 m		
	0 ft lb																		*25,460	18,150	29.6 ft		
	-1.5 m kg																		*11,830	9,450	8.2 m		
	-5 ft lb																		*26,110	20,950	26.9 ft		
	-3.0 m kg																		*11,840	*11,840	7.0 m		
	-10 ft lb																		*26,060	*26,060	22.7 ft		
-4.5 m kg																		*9,530	*9,530	7.7 m			
-15 ft lb																		*21,180	*21,180	24.8 ft			
Boom 7.0 m 23'0" Arm 3.35 m 11'0" Shoe 800 mm 32" Counterweight 10,250 kg 22,600 lb	9.0 m kg																			*8,980	*8,980	8.8 m	
	30 ft lb																				*19,850	*19,850	28.6 ft
	7.5 m kg																				*8,810	8,270	9.5 m
	25 ft lb																				*19,420	18,370	31.1 ft
	6.0 m kg																				*8,890	7,550	10.0 m
	20 ft lb																				*19,580	16,710	32.6 ft
	4.5 m kg																				*9,220	7,180	10.2 m
	15 ft lb																				*20,290	15,860	33.4 ft
	3.0 m kg																				*9,820	7,090	10.1 m
	10 ft lb																				*21,620	15,640	33.3 ft
	1.5 m kg																				*10,770	7,270	9.9 m
	5 ft lb																				*23,760	16,030	32.5 ft
	0 m kg																				*11,130	7,790	9.4 m
	0 ft lb																				*24,560	17,200	30.8 ft
	-1.5 m kg																				*11,460	8,840	8.6 m
	-5 ft lb																				*25,290	19,590	28.2 ft
	-3.0 m kg																				*11,600	11,000	7.4 m
	-10 ft lb																				*25,570	24,610	24.2 ft
-4.5 m kg																				*7,620	*7,620	8.4 m	
-15 ft lb																				*16,930	*16,930	27.0 ft	

Notes: 1. Machine in "Fine Mode-F" (Power Boost) for lifting capacities. 2. The above loads are in compliance with SAE J1097 and ISO 10567 Hydraulic Excavator Lifting Capacity Standards. 3. Rated loads do not exceed 87% of hydraulic lifting capacity or 75% of tipping load. 4. Rated loads marked with an asterisk (*) are limited by hydraulic capacity rather than tipping load.

Specifications

LIFTING CAPACITY EC500F L RETRACTABLE undercarriage

Lifting capacity at the arm end without bucket.

For lifting capacity including bucket, simply subtract actual weight of the direct fit bucket or the bucket with quick coupler from the following values.

	Lifting hook related to ground level	1.5 m / 5'0"		3.0 m / 10'0"		4.5 m / 15'0"		6.0 m / 20'0"		7.5 m / 25'0"		9.0 m / 30'0"		10.5 m / 35'0"		Max.		
		Along UC	Across UC	Along UC	Across UC	Along UC	Across UC	Along UC	Across UC	Along UC	Across UC	Along UC	Across UC	Along UC	Across UC	Along UC	Across UC	
Boom 7.0 m 23'0" Arm 3.9 m 12'10" Shoe 800 mm 32" Counterweight 10,250 kg 22,600 lb	9.0 m kg											*8,940	*8,940			*7,230	*7,230	9.4 m
	30 ft lb											*18,240	*18,240			*15,990	*15,990	30.5 ft
	7.5 m kg									*9,570	*9,570	*9,130	*9,130			*7,110	*7,110	10.0 m
	25 ft lb									*20,870	*20,870	*20,040	19,840			*15,670	*15,670	32.8 ft
	6.0 m kg							*12,460	*12,460	*10,700	*10,700	*9,710	8,990			*7,180	7,020	10.5 m
	20 ft lb							*26,910	*26,910	*23,250	*23,250	*21,200	19,360			*15,800	15,520	34.3 ft
	4.5 m kg					*20,630	*20,630	*14,800	*14,800	*12,010	11,390	*10,450	8,710	*9,070	6,860	*7,430	6,690	10.7 m
	15 ft lb					*44,280	*44,280	*31,960	*31,960	*26,050	24,580	*22,760	18,760			*16,340	14,770	35.0 ft
	3.0 m kg					*19,660	*19,660	*16,820	14,960	*13,240	10,940	*11,170	8,440	*9,560	6,730	*7,880	6,590	10.6 m
	10 ft lb					*46,790	*46,790	*36,360	32,280	*28,690	23,590	*24,290	18,200			*17,350	14,540	34.9 ft
	1.5 m kg					*20,170	*20,170	*18,090	14,460	*14,120	10,600	*11,710	8,240			*8,610	6,730	10.4 m
	5 ft lb					*46,760	*46,760	*39,160	31,190	*30,620	22,880	*25,410	17,770			*18,980	14,840	34.2 ft
	0 m kg	*9,620	*9,620	*13,560	*13,560	*25,110	21,970	*18,500	14,250	*14,490	10,430	*11,850	8,140			*9,780	7,150	9.9 m
	0 ft lb	*21,490	*21,490	*30,640	*30,640	*54,460	47,220	*40,100	30,710	*31,410	22,550	*25,660	17,580			*21,590	15,780	32.6 ft
	-1.5 m kg	*15,850	*15,850	*20,800	*20,800	*23,920	22,110	*18,030	14,260	*14,170	10,420	*11,260	8,200			*10,850	7,980	9.2 m
	-5 ft lb	*35,490	*35,490	*47,020	*47,020	*51,850	47,530	*39,030	30,730	*30,630	22,550	*24,080	17,740			*23,950	17,680	30.1 ft
	-3.0 m kg			*29,530	*29,530	*21,460	*21,460	*16,410	14,480	*12,670	10,630					*11,140	9,620	8.1 m
	-10 ft lb			*63,790	*63,790	*46,330	*46,330	*35,330	31,240	*27,020	22,990					*24,580	21,460	26.4 ft
-4.5 m kg					*16,890	*16,890	*12,580	*12,580							*11,030	*11,030	6.5 m	
-15 ft lb					*35,860	*35,860	*26,220	*26,220							*24,210	*24,210	20.9 ft	
-6.0 m kg															*8,260	*8,260	8.9 m	
-20 ft lb															*18,230	*18,230	28.9 ft	
Boom 7.4 m 24'3" Arm 4.3 m 14'1" Shoe 800 mm 32" Counterweight 10,250 kg 22,600 lb	7.5 m kg											*8,220	*8,220			*8,230	7,950	9.9 m
	25 ft lb											*18,080	*18,080			*18,140	17,760	32.2 ft
	6.0 m kg									*9,220	*9,220	*8,610	*8,610	*8,320	7,040	*8,320	7,010	10.5 m
	20 ft lb									*20,070	*20,070	*18,820	*18,820			*18,320	15,570	34.4 ft
	4.5 m kg							*12,260	*12,260	*10,370	*10,370	*9,260	8,860	*8,590	6,900	*8,480	6,440	10.9 m
	15 ft lb							*26,460	*26,460	*22,550	*22,550	*20,160	19,090	*18,810	14,830	*18,680	14,260	35.8 ft
	3.0 m kg					*20,390	*20,390	*14,520	*14,520	*11,660	11,160	*10,020	8,520	*9,000	6,720	*8,700	6,120	11.1 m
	10 ft lb					*43,770	*43,770	*31,340	*31,340	*25,270	24,080	*21,770	18,370	*19,620	14,450	*19,180	13,520	36.5 ft
	1.5 m kg					*18,060	*18,060	*16,430	14,540	*12,840	10,640	*10,740	8,200	*9,390	6,540	*8,980	6,010	11.1 m
	5 ft lb					*42,700	*42,700	*35,510	31,380	*27,810	22,960	*23,320	17,690	*20,440	14,080	*19,800	13,250	36.4 ft
	0 m kg					*18,240	*18,240	*17,610	13,990	*13,680	10,260	*11,280	7,960	*9,650	6,400	*9,310	6,090	10.9 m
	0 ft lb			*16,360	*16,360	*42,100	*42,100	*38,120	30,170	*29,660	22,130	*24,470	17,170	*20,950	13,800	*20,540	13,440	35.7 ft
-1.5 m kg			*12,620	*12,620	*22,470	21,200	*17,980	13,740	*14,060	10,050	*11,500	7,820			*9,690	6,410	10.4 m	
-5 ft lb			*28,450	*28,450	*51,430	45,570	*38,960	29,600	*30,460	21,670	*24,900	16,880			*21,380	14,160	34.2 ft	
-3.0 m kg	*14,610	*14,610	*18,610	*18,610	*23,250	21,330	*17,560	13,720	*13,840	10,000	*11,200	7,810			*10,100	7,070	9.7 m	
-10 ft lb	*32,660	*32,660	*41,960	*41,960	*50,420	45,850	*38,030	29,560	*29,940	21,580	*24,160	16,880			*22,300	15,660	31.8 ft	

Notes: 1. Machine in "Fine Mode-F" (Power Boost) for lifting capacities. 2. The above loads are in compliance with SAE J1097 and ISO 10567 Hydraulic Excavator Lifting Capacity Standards. 3. Rated loads do not exceed 87% of hydraulic lifting capacity or 75% of tipping load. 4. Rated loads marked with an asterisk (*) are limited by hydraulic capacity rather than tipping load.

LIFTING CAPACITY EC500F L RETRACTABLE undercarriage

Lifting capacity at the arm end without bucket.

For lifting capacity including bucket, simply subtract actual weight of the direct fit bucket or the bucket with quick coupler from the following values.

	Lifting hook related to ground level	1.5 m / 5'0"		3.0 m / 10'0"		4.5 m / 15'0"		6.0 m / 20'0"		7.5 m / 25'0"		9.0 m / 30'0"		10.5 m / 35'0"		Max.			
		Along UC	Across UC	Along UC	Across UC	Along UC	Across UC	Along UC	Across UC	Along UC	Across UC	Along UC	Across UC	Along UC	Across UC	Along UC	Across UC		
Boom 6.5 m 21'4" Arm 2.55 m 8'4" Shoe 900 mm 36" Counterweight 10,250 kg 22,600 lb	7.5 m kg			*26,030	*26,030	*21,080	*21,080	*16,220	13,900	*12,790	10,140					*10,500	8,330	8.7 m	
	25 ft lb			*58,920	*58,920	*45,570	*45,570	*35,010	29,980	*27,510	21,900					*23,190	18,560	28.3 ft	
	6.0 m kg					*17,410	*17,410	*13,500	*13,500							*10,730	*10,730	7.2 m	
	20 ft lb					*37,240	*37,240	*28,730	*28,730							*23,670	*23,670	23.3 ft	
	4.5 m kg															*11,880	*11,880	7.3 m	
	15 ft lb															*26,330	*26,330	23.8 ft	
	3.0 m kg								*13,180	*13,180	*12,020	*12,020					*11,450	10,500	8.2 m
	10 ft lb								*28,630	*28,630	*26,340	26,180					*25,280	23,360	26.8 ft
	1.5 m kg					*19,840	*19,840	*15,000	*15,000	*12,780	11,850						*11,490	9,380	8.7 m
	5 ft lb					*42,490	*42,490	*32,450	*32,450	*27,830	25,540						*25,310	20,770	28.6 ft
	0 m kg								*17,000	15,740	*13,770	11,470					*11,930	8,850	9.0 m
	0 ft lb								*36,740	33,980	*29,910	24,740					*26,250	19,540	29.4 ft
	-1.5 m kg					*16,620	*16,620	*18,460	15,170	*14,600	11,150						*12,400	8,750	8.9 m
	-5 ft lb					*40,860	*40,860	*39,950	32,740	*31,680	24,050						*27,320	19,300	29.3 ft
	-3.0 m kg					*24,930	22,830	*18,990	14,890	*14,940	10,960						*12,700	9,080	8.6 m
-10 ft lb					*55,590	49,090	*41,160	32,120	*32,390	23,660						*28,010	20,030	28.4 ft	
-4.5 m kg				*18,820	*18,820	*24,210	22,950	*18,470	14,870	*14,420	10,960					*12,980	9,990	8.1 m	
-15 ft lb				*42,850	*42,850	*52,610	49,340	*40,030	32,060	*31,120	23,680					*28,630	22,070	26.4 ft	
Boom 6.5 m 21'4" Arm 3.0 m 9'10" Shoe 900 mm 36" Counterweight 10,250 kg 22,600 lb	9.0 m kg			*27,570	*27,570	*21,460	*21,460	*16,530	15,090							*13,040	11,980	7.1 m	
	30 ft lb			*59,970	*59,970	*46,490	*46,490	*35,620	32,570							*28,740	26,620	23.3 ft	
	7.5 m kg									*11,010	*11,010					*10,060	*10,060	7.8 m	
	25 ft lb									*24,090	*24,090					*22,270	*22,270	25.3 ft	
	6.0 m kg									*11,260	*11,260					*9,800	9,760	8.6 m	
	20 ft lb									*24,630	*24,630					*21,620	*21,620	28.1 ft	
	4.5 m kg					*18,240	*18,240	*14,120	*14,120	*12,130	11,870	*11,170	8,920			*9,900	8,780	9.1 m	
	15 ft lb					*39,120	*39,120	*30,550	*30,550	*26,400	25,590					*21,790	19,430	29.8 ft	
	3.0 m kg					*22,630	*22,630	*16,220	15,790	*13,220	11,450	*11,590	8,740			*10,310	8,290	9.3 m	
	10 ft lb					*48,620	*48,620	*35,070	34,090	*28,700	24,690	*25,290	18,830			*22,680	18,310	30.6 ft	
	1.5 m kg					*23,360	22,960	*17,900	15,140	*14,180	11,080	*12,000	8,560			*11,090	8,180	9.3 m	
	5 ft lb					*54,390	49,460	*38,740	32,660	*30,760	23,900	*26,100	18,470			*24,410	18,040	30.5 ft	
	0 m kg					*25,620	22,620	*18,730	14,770	*14,710	10,840	*12,060	8,470			*12,030	8,440	9.0 m	
	0 ft lb					*55,560	48,640	*40,580	31,850	*31,910	23,390					*26,530	18,620	29.6 ft	
	-1.5 m kg			*19,120	*19,120	*24,690	22,640	*18,550	14,670	*14,530	10,770					*12,400	9,190	8.5 m	
-5 ft lb			*43,280	*43,280	*53,600	48,670	*40,190	31,630	*31,420	23,260					*27,350	20,310	27.8 ft		
-3.0 m kg			*30,100	*30,100	*22,430	*22,430	*17,120	14,820	*12,930	10,950					*12,670	10,800	7.6 m		
-10 ft lb			*65,370	*65,370	*48,570	*48,570	*36,960	31,960							*27,940	23,980	24.8 ft		
-4.5 m kg					*18,030	*18,030	*13,240	*13,240							*12,450	*12,450	6.2 m		
-15 ft lb					*38,570	*38,570	*27,690	*27,690							*27,350	*27,350	20.1 ft		

Notes: 1. Machine in "Fine Mode-F" (Power Boost) for lifting capacities. 2. The above loads are in compliance with SAE J1097 and ISO 10567 Hydraulic Excavator Lifting Capacity Standards. 3. Rated loads do not exceed 87% of hydraulic lifting capacity or 75% of tipping load. 4. Rated loads marked with an asterisk (*) are limited by hydraulic capacity rather than tipping load.

Specifications

LIFTING CAPACITY EC500F L RETRACTABLE undercarriage

Lifting capacity at the arm end without bucket.

For lifting capacity including bucket, simply subtract actual weight of the direct fit bucket or the bucket with quick coupler from the following values.

	Lifting hook related to ground level	1.5 m / 5'0"		3.0 m / 10'0"		4.5 m / 15'0"		6.0 m / 20'0"		7.5 m / 25'0"		9.0 m / 30'0"		10.5 m / 35'0"		Max.					
		Along UC	Across UC	Along UC	Across UC	Along UC	Across UC	Along UC	Across UC	Along UC	Across UC	Along UC	Across UC	Along UC	Across UC	Along UC	Across UC				
Boom 7.0 m 23'0" Arm 2.55 m 8'4" Shoe 900 mm 36" Counterweight 10,250 kg 22,600 lb	9.0 m kg																*11,510	*11,510	6.8 m		
	30 ft lb																	*25,550	*25,550	21.7 ft	
	7.5 m kg									*11,010	*11,010							*11,100	*11,100	8.0 m	
	25 ft lb									*24,310	*24,310							*24,510	*24,510	25.9 ft	
	6.0 m kg								*12,880	*12,880	*11,430	*11,430							*11,010	9,420	8.8 m
	20 ft lb								*27,890	*27,890	*24,950	*24,950							*24,280	20,960	28.6 ft
	4.5 m kg								*14,900	*14,900	*12,390	11,730	*11,170	8,920					*11,090	8,520	9.3 m
	15 ft lb								*44,250	*44,250	*26,910	25,300	*24,480	19,180					*24,440	18,870	30.3 ft
	3.0 m kg								*16,960	15,420	*13,470	11,310	*11,630	8,730					*11,280	8,090	9.5 m
	10 ft lb								*36,600	33,300	*29,210	24,420	*25,350	18,820					*24,850	17,850	31.1 ft
	1.5 m kg								*18,350	14,890	*14,350	10,980	*12,050	8,560					*11,530	8,000	9.5 m
	5 ft lb								*39,690	32,130	*31,120	23,710	*26,190	18,470					*25,420	17,640	31.0 ft
	0 m kg								*13,970	*13,970	*18,810	14,660	*14,780	10,790	*12,130	8,480			*11,830	8,260	9.2 m
	0 ft lb								*33,490	*33,490	*40,770	31,610	*32,040	23,300	*26,230	18,320			*26,080	18,220	30.1 ft
	-1.5 m kg								*23,750	22,720	*18,380	14,650	*14,530	10,770					*12,110	8,980	8.6 m
	-5 ft lb								*51,690	48,830	*39,860	31,590	*31,440	23,260					*26,710	19,840	28.3 ft
	-3.0 m kg								*26,810	*26,810	*21,530	*21,530	*16,910	14,850	*13,070	10,970			*12,260	10,490	7.8 m
	-10 ft lb								*58,520	*58,520	*46,720	*46,720	*36,550	32,030	*27,900	23,740			*27,030	23,280	25.4 ft
-4.5 m kg										*17,530	*17,530	*13,420	*13,420					*11,880	*11,880	6.5 m	
-15 ft lb										*37,630	*37,630	*28,300	*28,300					*26,090	*26,090	20.9 ft	
Boom 7.0 m 23'0" Arm 3.0 m 9'10" Shoe 900 mm 36" Counterweight 10,250 kg 22,600 lb	9.0 m kg																	*10,510	*10,510	7.3 m	
	30 ft lb																		*23,290	*23,290	23.4 ft
	7.5 m kg										*10,180	*10,180							*10,220	*10,220	8.4 m
	25 ft lb										*22,410	*22,410							*22,610	*22,610	27.3 ft
	6.0 m kg										*10,750	*10,750	*10,230	9,070					*10,020	8,790	9.2 m
	20 ft lb										*23,440	*23,440							*22,090	19,530	29.9 ft
	4.5 m kg										*18,940	*18,940	*14,030	*14,030	*11,770	11,740	*10,590	8,900	*10,130	7,980	9.6 m
	15 ft lb										*40,470	*40,470	*30,290	*30,290	*25,560	25,320	*23,160	19,160	*22,290	17,670	31.5 ft
	3.0 m kg										*16,190	15,460	*12,930	11,280	*11,170	8,670			*10,530	7,580	9.8 m
	10 ft lb										*34,930	33,390	*28,040	24,350	*24,330	18,690			*23,150	16,730	32.3 ft
	1.5 m kg										*17,800	14,830	*13,930	10,900	*11,710	8,460			*10,860	7,480	9.8 m
	5 ft lb										*38,490	32,010	*30,200	23,540	*25,440	18,260			*23,940	16,500	32.2 ft
	0 m kg										*17,570	*17,570	*18,550	14,510	*14,520	10,670	*11,980	8,340	*11,190	7,700	9.6 m
	0 ft lb										*41,080	*41,080	*40,180	31,300	*31,470	23,020	*25,960	18,000	*24,680	16,970	31.4 ft
	-1.5 m kg										*13,840	*13,840	*24,300	22,360	*18,410	14,440	*14,500	10,590	*11,630	8,340	9.0 m
	-5 ft lb										*31,490	*31,490	*52,790	48,060	*39,910	31,130	*31,400	22,870	*25,460	18,320	29.6 ft
	-3.0 m kg										*25,090	*25,090	*22,380	*22,380	*17,300	14,580	*13,550	10,710	*11,830	9,530	8.2 m
	-10 ft lb										*56,900	*56,900	*48,540	*48,540	*37,420	31,440	*29,150	23,150	*26,110	21,140	26.9 ft
-4.5 m kg										*18,950	*18,950	*14,640	*14,640					*11,840	*11,840	7.0 m	
-15 ft lb										*40,790	*40,790	*31,290	*31,290					*26,060	*26,060	22.7 ft	

Notes: 1. Machine in "Fine Mode-F" (Power Boost) for lifting capacities. 2. The above loads are in compliance with SAE J1097 and ISO 10567 Hydraulic Excavator Lifting Capacity Standards. 3. Rated loads do not exceed 87% of hydraulic lifting capacity or 75% of tipping load. 4. Rated loads marked with an asterisk (*) are limited by hydraulic capacity rather than tipping load.

LIFTING CAPACITY EC500F L RETRACTABLE undercarriage

Lifting capacity at the arm end without bucket.

For lifting capacity including bucket, simply subtract actual weight of the direct fit bucket or the bucket with quick coupler from the following values.

	Lifting hook related to ground level	1.5 m / 5'0"		3.0 m / 10'0"		4.5 m / 15'0"		6.0 m / 20'0"		7.5 m / 25'0"		9.0 m / 30'0"		10.5 m / 35'0"		Max.		
		Along UC	Across UC	Along UC	Across UC	Along UC	Across UC	Along UC	Across UC	Along UC	Across UC	Along UC	Across UC	Along UC	Across UC	Along UC	Across UC	
Boom 7.0 m 23'0" Arm 3.35 m 11'0" Shoe 900 mm 36" Counterweight 10,250 kg 22,600 lb	9.0 m kg									*9,850	*9,850					*9,530	*9,530	7.7 m
	30 ft lb															*21,180	*21,180	24.8 ft
	7.5 m kg									*9,680	*9,680					*8,980	*8,980	8.8 m
	25 ft lb									*21,270	*21,270					*19,850	*19,850	28.6 ft
	6.0 m kg									*10,320	*10,320	*9,800	9,180			*8,810	8,340	9.5 m
	20 ft lb									*22,550	*22,550	*21,560	19,730			*19,420	18,530	31.1 ft
	4.5 m kg					*17,800	*17,800	*13,470	*13,470	*11,390	*11,390	*10,280	8,980			*8,890	7,620	10.0 m
	15 ft lb					*38,080	*38,080	*29,090	*29,090	*24,740	*24,740	*22,440	19,340			*19,580	16,860	32.6 ft
	3.0 m kg					*21,270	*21,270	*15,720	15,650	*12,630	11,390	*10,930	8,730			*9,220	7,250	10.2 m
	10 ft lb					*48,040	*48,040	*33,920	33,800	*27,370	24,570	*23,790	18,830			*20,290	16,010	33.4 ft
	1.5 m kg					*14,690	*14,690	*17,500	14,970	*13,720	10,980	*11,550	8,500			*9,820	7,160	10.1 m
	5 ft lb					*35,290	*35,290	*37,840	32,310	*29,740	23,700	*25,090	18,340			*21,620	15,790	33.3 ft
	0 m kg					*18,520	*18,520	*18,460	14,590	*14,430	10,710	*11,930	8,350			*10,770	7,340	9.9 m
	0 ft lb					*43,080	*43,080	*39,990	31,450	*31,280	23,110	*25,880	18,020			*23,760	16,190	32.5 ft
	-1.5 m kg			*13,710	*13,710	*24,790	22,350	*18,550	14,460	*14,570	10,600	*11,820	8,310			*11,130	7,860	9.4 m
	-5 ft lb			*31,070	*31,070	*53,810	48,030	*40,200	31,170	*31,570	22,870	*25,520	17,950			*24,560	17,360	30.8 ft
	-3.0 m kg			*23,070	*23,070	*23,140	22,570	*17,690	14,550	*13,900	10,660					*11,460	8,920	8.6 m
	-10 ft lb			*52,250	*52,250	*50,160	48,530	*38,280	31,360	*29,980	23,020					*25,290	19,770	28.2 ft
-4.5 m kg			*26,660	*26,660	*20,090	*20,090	*15,490	14,860							*11,600	11,100	7.4 m	
-15 ft lb			*57,560	*57,560	*43,310	*43,310	*33,230	32,070							*25,570	24,830	24.2 ft	
Boom 7.0 m 23'0" Arm 3.9 m 12'10" Shoe 900 mm 36" Counterweight 10,250 kg 22,600 lb	9.0 m kg															*7,620	*7,620	8.4 m
	30 ft lb															*16,930	*16,930	27 ft
	7.5 m kg											*8,940	*8,940			*7,230	*7,230	9.4 m
	25 ft lb											*18,240	*18,240			*15,990	*15,990	30.5 ft
	6.0 m kg									*9,570	*9,570	*9,130	*9,130			*7,110	*7,110	10.0 m
	20 ft lb									*20,870	*20,870	*20,040	20,010			*15,670	*15,670	32.8 ft
	4.5 m kg						*12,460	*12,460	*10,700	*10,700	*9,710	9,070			*7,180	7,080	10.5 m	
	15 ft lb						*26,910	*26,910	*23,250	*23,250	*21,200	19,530			*15,800	15,670	34.3 ft	
	3.0 m kg					*20,630	*20,630	*14,800	*14,800	*12,010	11,490	*10,450	8,780	*9,070	6,930	*7,430	6,750	10.7 m
	10 ft lb					*44,280	*44,280	*31,960	*31,960	*26,050	24,790	*22,760	18,930			*16,340	14,910	35.0 ft
	1.5 m kg					*19,660	*19,660	*16,820	15,090	*13,240	11,030	*11,170	8,520	*9,560	6,800	*7,880	6,660	10.6 m
	5 ft lb					*46,790	*46,790	*36,360	32,560	*28,690	23,810	*24,290	18,370			*17,350	14,680	34.9 ft
	0 m kg					*20,170	*20,170	*18,090	14,600	*14,120	10,700	*11,710	8,320			*8,610	6,800	10.4 m
	0 ft lb					*46,760	*46,760	*39,160	31,470	*30,620	23,090	*25,410	17,940			*18,980	14,990	34.2 ft
	-1.5 m kg	*9,620	*9,620	*13,560	*13,560	*25,110	22,160	*18,500	14,380	*14,490	10,530	*11,850	8,220			*9,780	7,220	9.9 m
	-5 ft lb	*21,490	*21,490	*30,640	*30,640	*54,460	47,650	*40,100	30,990	*31,410	22,720	*25,660	17,750			*21,590	15,930	32.6 ft
	-3.0 m kg	*15,850	*15,850	*20,800	*20,800	*23,920	22,300	*18,030	14,390	*14,170	10,520	*11,260	8,270			*10,850	8,060	9.2 m
	-10 ft lb	*35,490	*35,490	*47,020	*47,020	*51,850	47,950	*39,030	31,010	*30,630	22,720	*24,080	17,910			*23,950	17,850	30.1 ft
-4.5 m kg			*29,530	*29,530	*21,460	*21,460	*16,410	14,610	*12,670	10,720					*11,140	9,710	8.1 m	
-15 ft lb			*63,790	*63,790	*46,330	*46,330	*35,330	31,520	*27,020	23,200					*24,580	21,650	26.4 ft	
-6.0 m kg					*16,890	*16,890	*12,580	*12,580							*11,030	*11,030	6.5 m	
-20 ft lb					*35,860	*35,860	*26,220	*26,220							*24,210	*24,210	20.9 ft	

Notes: 1. Machine in "Fine Mode-F" (Power Boost) for lifting capacities. 2. The above loads are in compliance with SAE J1097 and ISO 10567 Hydraulic Excavator Lifting Capacity Standards. 3. Rated loads do not exceed 87% of hydraulic lifting capacity or 75% of tipping load. 4. Rated loads marked with an asterisk (*) are limited by hydraulic capacity rather than tipping load.

Specifications

LIFTING CAPACITY EC500F L RETRACTABLE undercarriage

Lifting capacity at the arm end without bucket.

For lifting capacity including bucket, simply subtract actual weight of the direct fit bucket or the bucket with quick coupler from the following values.

	Lifting hook related to ground level	1.5 m / 5'0"		3.0 m / 10'0"		4.5 m / 15'0"		6.0 m / 20'0"		7.5 m / 25'0"		9.0 m / 30'0"		10.5 m / 35'0"		Max.							
		Along UC	Across UC	Along UC	Across UC	Along UC	Across UC	Along UC	Across UC	Along UC	Across UC	Along UC	Across UC	Along UC	Across UC	Along UC	Across UC						
Boom 7.4 m 24'3" Arm 4.3 m 14'1" Shoe 900 mm 36" Counterweight 10,250 kg 22,600 lb	9.0 m kg																	*8,260	*8,260	8.9 m			
	30 ft lb																		*18,230	*18,230	28.9 ft		
	7.5 m kg												*8,220	*8,220					*8,230	8,020	9.9 m		
	25 ft lb												*18,080	*18,080					*18,140	17,910	32.2 ft		
	6.0 m kg										*9,220	*9,220	*8,610	*8,610	*8,320	7,110			*8,320	7,080	10.5 m		
	20 ft lb										*20,070	*20,070	*18,820	*18,820					*18,320	15,720	34.4 ft		
	4.5 m kg								*12,260	*12,260	*10,370	*10,370	*9,260	8,940	*8,590	6,960			*8,480	6,510	10.9 m		
	15 ft lb								*26,460	*26,460	*22,550	*22,550	*20,160	19,250	*18,810	14,970			*18,680	14,390	35.8 ft		
	3.0 m kg						*20,390	*20,390	*14,520	*14,520	*11,660	11,260	*10,020	8,600	*9,000	6,780			*8,700	6,190	11.1 m		
	10 ft lb						*43,770	*43,770	*31,340	*31,340	*25,270	24,290	*21,770	18,540	*19,620	14,590			*19,180	13,660	36.5 ft		
	1.5 m kg						*18,060	*18,060	*16,430	14,670	*12,840	10,740	*10,740	8,280	*9,390	6,600			*8,980	6,070	11.1 m		
	5 ft lb						*42,700	*42,700	*35,510	31,670	*27,810	23,170	*23,320	17,860	*20,440	14,220			*19,800	13,390	36.4 ft		
	0 m kg						*18,240	*18,240	*17,610	14,120	*13,680	10,360	*11,280	8,040	*9,650	6,470			*9,310	6,160	10.9 m		
	0 ft lb						*16,360	*16,360	*42,100	*42,100	*38,120	30,450	*29,660	22,340	*24,470	17,340			*20,950	13,940	*20,540	13,580	35.7 ft
	-1.5 m kg				*12,620	*12,620	*22,470	21,400	*17,980	13,870	*14,060	10,140	*11,500	7,900						*9,690	6,480	10.4 m	
	-5 ft lb				*28,450	*28,450	*51,430	46,000	*38,960	29,890	*30,460	21,880	*24,900	17,050						*21,380	14,310	34.2 ft	
	-3.0 m kg	*14,610	*14,610	*18,610	*18,610	*23,250	21,530	*17,560	13,850	*13,840	10,100	*11,200	7,890							*10,100	7,140	9.7 m	
	-10 ft lb	*32,660	*32,660	*41,960	*41,960	*50,420	46,270	*38,030	29,840	*29,940	21,800	*24,160	17,050							*22,300	15,820	31.8 ft	
-4.5 m kg				*26,030	*26,030	*21,080	*21,080	*16,220	14,030	*12,790	10,230								*10,500	8,410	8.7 m		
-15 ft lb				*58,920	*58,920	*45,570	*45,570	*35,010	30,260	*27,510	22,110								*23,190	18,750	28.3 ft		
-6.0 m kg						*17,410	*17,410	*13,500	*13,500										*10,730	*10,730	7.2 m		
-20 ft lb						*37,240	*37,240	*28,730	*28,730										*23,670	*23,670	23.3 ft		

Notes: 1. Machine in "Fine Mode-F" (Power Boost) for lifting capacities. 2. The above loads are in compliance with SAE J1097 and ISO 10567 Hydraulic Excavator Lifting Capacity Standards. 3. Rated loads do not exceed 87% of hydraulic lifting capacity or 75% of tipping load. 4. Rated loads marked with an asterisk (*) are limited by hydraulic capacity rather than tipping load.

LIFTING CAPACITY EC500F LR RETRACTABLE undercarriage

Lifting capacity at the arm end without bucket.

For lifting capacity including bucket, simply subtract actual weight of the direct fit bucket or the bucket with quick coupler from the following values.

	Lifting hook related to ground level	1.5 m / 5'0"		3.0 m / 10'0"		4.5 m / 15'0"		6.0 m / 20'0"		7.5 m / 25'0"		9.0 m / 30'0"		
		Along UC	Across UC	Along UC	Across UC	Along UC	Across UC	Along UC	Across UC	Along UC	Across UC	Along UC	Across UC	
Boom 9.0 m 29'6" Arm 6.0 m 19'8" Shoe 900 mm 36" Counterweight 10,600 kg 23,370 lb	12.0 m	kg												
	40 ft	lb												
	10.5 m	kg												
	35 ft	lb												
	9.0 m	kg												
	30 ft	lb												
	7.5 m	kg												
	25 ft	lb												
	6.0 m	kg												
	20 ft	lb												
	4.5 m	kg											*6,980	*6,980
	15 ft	lb											*15,150	*15,150
	3.0 m	kg							*11,890	*11,890	*9,370	*9,370	*7,930	*7,930
	10 ft	lb							*25,580	*25,580	*20,240	*20,240	*17,190	*17,190
	1.5 m	kg							*14,060	*14,060	*10,760	*10,760	*8,870	8,380
	5 ft	lb							*30,320	*30,320	*23,260	*23,260	*19,220	18,090
	0 m	kg							*15,640	13,760	*11,910	10,210	*9,690	7,990
	0 ft	lb							*33,810	29,690	*25,780	22,040	*21,010	17,240
	-1.5 m	kg					*8,530	*8,530	*16,590	13,320	*12,730	9,840	*10,340	7,710
	-5 ft	lb					*19,510	*19,510	*35,920	28,720	*27,590	21,230	*22,410	16,630
	-3.0 m	kg	*5,830	*5,830	*7,450	*7,450	*11,330	*11,330	*17,000	13,140	*13,210	9,640	*10,750	7,540
	-10 ft	lb	*13,080	*13,080	*16,820	*16,820	*25,800	*25,800	*36,840	28,320	*28,630	20,790	*23,310	16,260
	-4.5 m	kg	*8,740	*8,740	*10,670	*10,670	*14,930	*14,930	*16,950	13,140	*13,330	9,590	*10,900	7,480
	-15 ft	lb	*19,630	*19,630	*24,110	*24,110	*34,010	*34,010	*36,720	28,330	*28,880	20,680	*23,610	16,140
	-6.0 m	kg	*11,980	*11,980	*14,480	*14,480	*19,650	*19,650	*16,420	13,300	*13,050	9,660	*10,700	7,530
	-20 ft	lb	*26,980	*26,980	*32,790	*32,790	*44,910	44,680	*35,510	28,670	*28,220	20,860	*23,120	16,270
	-7.5 m	kg	*15,880	*15,880	*19,320	*19,320	*19,870	*19,870	*15,290	13,600	*12,240	9,880	*9,990	7,710
	-25 ft	lb	*35,870	*35,870	*43,960	*43,960	*42,820	*42,820	*32,940	29,360	*26,330	21,350	*21,410	16,710
	-9.0 m	kg			*23,450	*23,450	*17,030	*17,030	*13,260	*13,260	*10,560	10,270	*8,190	8,120
	-30 ft	lb			*49,890	*49,890	*36,310	*36,310	*28,240	*28,240	*22,330	22,290	*16,780	*16,780
Boom 9.0 m 29'6" Arm 6.0 m 19'8" Shoe 900 mm 36" Counterweight 10,600 kg 23,370 lb	Lifting hook related to ground level	10.5 m / 35'0"		12 m / 40'0"		13.5 m / 45'0"		Max.						
		Along UC	Across UC	Along UC	Across UC	Along UC	Across UC	Along UC	Across UC	m				
	12.0 m	kg							*4,830	*4,830	11.3 m			
	40 ft	lb							*10,770	*10,770	36.5 ft			
	10.5 m	kg			*5,350	*5,350			*4,510	*4,510	12.4 m			
	35 ft	lb			*10,990	*10,990			*10,000	*10,000	40.4 ft			
	9.0 m	kg			*5,220	*5,220			*4,310	*4,310	13.3 m			
	30 ft	lb			*11,580	*11,580			*9,540	*9,540	43.4 ft			
	7.5 m	kg			*5,340	*5,340	*5,470	5,000	*4,200	*4,200	13.9 m			
	25 ft	lb			*11,770	*11,770	*11,000	10,660	*9,280	*9,280	45.6 ft			
	6.0 m	kg			*5,620	*5,620	*5,570	4,940	*4,160	*4,160	14.4 m			
	20 ft	lb	*12,680	*12,680	*12,320	*12,320	*12,280	10,580	*9,170	*9,170	47.2 ft			
	4.5 m	kg	*6,390	*6,390	*6,000	5,930	*5,780	4,830	*4,170	4,090	14.7 m			
	15 ft	lb	*13,910	*13,910	*13,110	12,760	*12,690	10,360	*9,200	9,040	48.2 ft			
	3.0 m	kg	*7,030	*7,030	*6,440	5,720	*6,060	4,700	*4,240	3,950	14.8 m			
	10 ft	lb	*15,290	15,180	*14,040	12,300	*13,270	10,090	*9,360	8,730	48.7 ft			
	1.5 m	kg	*7,680	6,720	*6,890	5,500	*6,360	4,570	*4,380	3,900	14.8 m			
	5 ft	lb	*16,680	14,500	*15,010	11,850	*13,890	9,820	*9,650	8,590	48.7 ft			
	0 m	kg	*8,270	6,450	*7,310	5,320	*6,640	4,450	*4,580	3,920	14.7 m			
	0 ft	lb	*17,960	13,920	*15,900	11,460	*14,460	9,580	*10,100	8,640	48.1 ft			
	-1.5 m	kg	*8,750	6,250	*7,650	5,180	*6,840	4,370	*4,870	4,020	14.3 m			
	-5 ft	lb	*19,000	13,480	*16,620	11,170	14,850	9,430	*10,740	8,880	47.0 ft			
	-3.0 m	kg	*9,070	6,120	*7,860	5,100	6,870	4,350	*5,270	4,230	13.8 m			
	-10 ft	lb	*19,680	13,210	*17,040	11,010	*13,400	9,420	*11,660	9,350	45.3 ft			
	-4.5 m	kg	*9,170	6,080	*7,850	5,100			*5,860	4,570	13.1 m			
	-15 ft	lb	*19,850	13,130	*16,940	11,030			*13,000	10,130	43.0 ft			
	-6.0 m	kg	*8,940	6,140	*7,380	5,220			*6,740	5,120	12.2 m			
	-20 ft	lb	*19,250	13,290					*15,020	11,400	39.9 ft			
	-7.5 m	kg	*8,070	6,360					*7,290	6,030	11.0 m			
	-25 ft	lb	*17,000	13,840					*16,110	13,520	35.8 ft			
-9.0 m	kg							*7,370	*7,370	9.4 m				
-30 ft	lb							*16,230	*16,230	30.4 ft				

Notes: 1. Machine in "Fine Mode-F" (Power Boost) for lifting capacities. 2. The above loads are in compliance with SAE J1097 and ISO 10567 Hydraulic Excavator Lifting Capacity Standards. 3. Rated loads do not exceed 87% of hydraulic lifting capacity or 75% of tipping load. 4. Rated loads marked with an asterisk (*) are limited by hydraulic capacity rather than tipping load.

Equipment

STANDARD AND OPTIONAL EQUIPMENT

• = Standard / o = Optional

Engine

Turbocharged, 4 stroke diesel engine with water cooling, direct injection and charged air cooler that meets EU StageV/NA T4f requirements	•
Dual cooling fan system including electric driven for CAC	•
Cyclone pre-cleaner	•
Fuel shut off valve	•
Engine block heater	o
Coolant heater by diesel	o
Reversible fan drive	o
High Capacity cooling	•
Precleaner, oil bath	o
Air filter, High efficiency (EON)	o
Delayed engine Shutdown	•
Automatic engine shutdown	o
Water separator with heater	•
Arctic regeneration	o
Regeneration control	o
Oil sampling for engine oil	•

Electric / Electronic control system

Anti-theft with code lock system	•
Alternator, 180 A	•
Automatic idling system	•
Lock Out / Tag Out function on main battery switch	•
Standard light	•
Basic light package	o
Advanced light package	•
Deluxe light package	o
Arm light	o
LH light	o

Undercarriage and structures

3-point side access	•
Direct filling DEF(AdBlue) / Sight gauge and splash guard	•
Openable combined muffler hood	•
Handrail & Guardrail, fixed/foldable	•
Inner rail	•
Cabin entrance, fixed	•
Cabin entrance, foldable	o
Walk way, fixed/foldable	o
SIPS (Side Impact Protection Structure)	o
HD Side door & hood with screen	o
Without lower structure	o
Lower frame, Retractable	o
Link 600/700/800/900 mm (24/28/32/36") triple grouser shoe	o
Link 600 mm (24") triple grouser shoe HD	o
Link 600 mm (24") doublegrouser shoe	o
Full track guard	o
Track tensioner, sand protect	o
Removable counterweight	o
Counterweight for Long reach	o

STANDARD AND OPTIONAL EQUIPMENT

• = Standard / o = Optional

Hydraulic system

EH (Electro-Hydraulic) control system	•
New work mode with 10 steps	•
Auto power boost	•
One touch power boost	•
Priority Adjustment	•
Boom down speed control	•
Shock reduction function	•
Joystick, Semi-long / 4 switch / 4 switch & 1 proportional / Simple L8 / L8	o
Hydraulic oil mineral 32 / 46 / 68	o
Longlife hyd oil mineral 32 / 46 / 68	o
Hydraulic oil bio 46	o
Pattern change	•
Boom float function	•
Straight travel pedal	•
Comfort driving control	o
Creep travel mode	•
Provision, Magnet application	o
Dust suppression system	o
Dedicated drain line	o
Variable X3 P-Q control	o
Hose rupture valve for boom	o
Hose rupture valve for arm	o

Cab and interior

Keyless engine start and stop	•
8" HD display	•
ROPS certified cab	•
Tilttable left console	•
Digital hour meter	•
Wireless mobile charger with Kinematic sensor package option	•
Various storage space with cool/heated	•
Air pressure supply in cabin	o
1 piece wind shield cab	o
High visibility cab	o
Cabin large mirror, Heated	o
Cabin large mirror	o
Basic / Premium / Deluxe seat	o
Seat belt, 3 inch 2 point / 2 inch 3 point	o
Climate control-HEPA filter	o
Radio with MP3/USB/Bluetooth	o
Front rain shield	o
Sun screen	•
Lower wiper	o
Sun shield, roof hatch	o
Foot rest, High mount	•
FOG (Falling Object Guard)	o
FOPS (Falling Object Protection Structure)	o
Safety net	o

STANDARD AND OPTIONAL EQUIPMENT

• = Standard / o = Optional

Digging equipment

HD 7.0 m (23') boom	•
ME 6.5 m (21'4") boom / GP 7.4 m (24'3") boom / LR 9.0 m (29'6") boom / Non-Boom	o
HD 3.35 m (11') arm	•
ME 2.55 m (8'4") arm / HD 3.0 m (9'10") arm / GP 3.9 m (12'10") arm / GP 4.3 m (14'1") arm / LR 6.0 m (19'8") arm / Non-Arm	o

Machine control technology

Kinematic sensor package	•
Volvo Co-Pilot 2nd display, 12.8" touchable Full HD	•
Dig Assist, Start	•
Dig Assist, 2D	o
Dig Assist, In-Field Design	o
Dig Assist, Topcon 3D-MC	o
Dig Assist, Infield-Design Advanced	o
Dig Assist, On-Board Weighing	o
Volvo Active Control	o
Dig Assist, Boundary Limit	•

Safety and security

Travel alarm, beep	•
Travel alarm white noise	o
Flashing beacon, LED	o
Green light beacon	o
Rear view camera	o
Side view camera	o
HD VSV(Volvo Smart View)	•
HD VSV with obstacle detection	o
Provision, HD VSV with obstacle detection	o

Service and maintenance

Fuel level gauge	•
Swing out A/C condenser	•
Fuel filler pump	o
Fast Fuel Fill preparation	o
Quick Hydraulic Oil Fill connection	•
Quick Engine Oil Change	•
Jump start connector	o
Auto lubrication system	o
Tool kit	o





VOLVO

EC500

V O L V O