



Volvo Construction Equipment

EC350E, EC380E

Volvo Excavators 36-42 t / 79,950-92,760 lb 308 hp



A passion for performance

At Volvo Construction Equipment, we're not just coming along for the ride. Developing products and services that raise productivity – we are confident we can lower costs and increase profits for customers around the globe. Part of the Volvo Group, we are passionate about innovative solutions to help you work smarter – not harder.

Helping you to do more

Doing more with less is a trademark of Volvo Construction Equipment. High productivity has long been married to low energy consumption, ease of use and durability. When it comes to lowering life-cycle costs, Volvo is in a class of its own.

Designed to fit your needs

There is a lot riding on creating solutions that are suited to the particular needs of different industry applications. Innovation often involves high technology – but it doesn't always have to. Some of our best ideas have been simple, based on a clear and deep understanding of our customers' working lives.



You learn a lot in 180 years

Over the years, Volvo has advanced solutions that have revolutionized the use of construction equipment. No other name speaks Safety louder than Volvo. Protecting operators, those around them and minimizing our environmental impact are traditional values that continue to shape our product design philosophy.

We're on your side

We back the Volvo brand with the best people. Volvo is truly a global enterprise, one that is on standby to support customers quickly and efficiently – wherever they are.

We have a passion for performance.

A strong, dedicated, capable dealer network

Our dealers are strategically located throughout North America to provide the equipment you need and the parts and service support you demand for a productive and profitable operation.

The strength of our dealer network is enhanced with extensive individualized product support training at our best-in-class Customer Center in Shippensburg and through hands-on training. Using a great Product Demonstration Center featuring a dedicated area for most common applications, visitors operate equipment from our entire product line under a variety of simulated working conditions. This facility is in year-round use by our dealers and customers.

Building the best starts right here.

The products designed and manufactured by Volvo Construction Equipment have their beginnings at the most advanced Research & Design centers in the industry. Volvo CE machines are designed in 11 R&D centers and produced in 15 manufacturing facilities across the world.

The major R&D center and manufacturing plant in the Americas is located in Shippensburg, Pennsylvania. This facility has been in operation for over 30 years and – with its recently added 200,000 sq. ft. expansion – now covers 570,000 sq. ft. on an 80 acre campus. Dedicated work teams and highly advanced technologies and techniques using the Volvo Production System ensure continuous quality improvements, labor savings and cost control to reach the high quality that our customers have come to expect from Volvo.





Volvo Trucks



Renault Trucks



Mack Trucks



UD Trucks



Volvo Buses



Volvo Construction Equipment



Volvo Penta



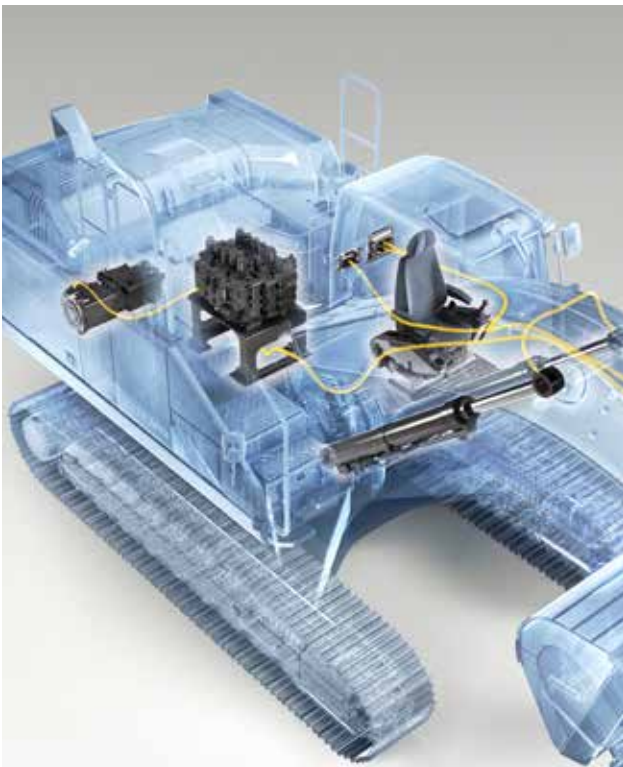
Volvo Financial Services

Elite efficiency

Fuel efficiency is at the center of the EC350E and EC380E crawler excavators. With advanced technology including Volvo's unique ECO mode and a new electro-hydraulic control system, these high production machines deliver up to 9% greater fuel efficiency. Experience efficient production at its best with Volvo.

Advanced hydraulics

The new electro-hydraulic system uses intelligent technology to control on-demand flow and reduce internal losses in the hydraulic circuit. This increases controllability, shortens cycle times and improves fuel efficiency – resulting in higher productivity and performance.



Automatic idling system

Engine speed is reduced to idle when the controls are inactive for a pre-set amount of time (between 3 and 20 seconds). This reduces fuel consumption and noise.

Auto engine shut down

To reduce fuel consumption, the engine will automatically switch off when the machine is inactive for a pre-set amount of time (five minutes is the default setting).

Work modes

Volvo's unique, integrated work mode system now includes the G4 mode for optimum fuel efficiency and machine performance. Operators can choose the best work mode for the task at hand – select from I (Idle), F (Fine), G (General) and H (Heavy).



Fuel consumption display

A gauge bar on the monitor measures both instantaneous fuel consumption and average fuel consumption. This allows machine owners and operators to monitor fuel usage on different job sites.





ECO MODE

Volvo's unique ECO mode optimizes the hydraulic system to reduce flow and pressure losses – resulting in improved fuel efficiency without any loss of performance in most operating conditions. ECO mode is automatically selected but can be switched off via the keypad.



HUMAN MACHINE INTERFACE (HMI)

All machine interfaces – including the joysticks, keypad and LCD monitor – are ergonomically positioned and designed for optimum control and efficiency. For operator convenience and ease of use, the number of switches has been significantly reduced.

Boost your productivity

It's a fact that operators work more efficiently when they're given the best tools for the job. That's why, on top of being a superior production machine, the EC350E and EC380E have an ergonomic design with ideally placed controls and switches. With built in comfort and optimized control, operators will work efficiently and productively all day long.

Keypad

The optimally positioned keypad allows the operator to easily navigate through the LCD monitor and activate machine functions in a safe and comfortable way. The functionality of the camera, air conditioning and lights can be customized via the hot key – enabling the operator to select and save desired configurations.



LCD monitor

The new, color, eight inch LCD monitor displays machine status information including fuel consumption data and service interval alerts – enabling increased uptime and high productivity. The user-friendly design is easy to read in any light conditions



Shortcut switch

The windshield wipers, camera, audio mute or power max function can be assigned to a shortcut switch located on the joystick. This allows the operator to easily control the selected function by simply pressing a switch.



Seatbelt warning alarm

If the seatbelt is not fastened when the ignition key is turned, a sensor triggers an alarm which sounds for three seconds.

Bluetooth®

For added convenience, operators can now connect a Bluetooth device to the machine.

Non-stop productivity

Experienced and skilled Volvo engineers have developed and rigorously tested Tier 4 Final engine systems that deliver the ultimate combination of high productivity and low fuel consumption. Benefit from Volvo's signature high torque at low rpm and experience superior performance and reduced fuel consumption.

Volvo After Treatment System

During the fully automatic regeneration process, particulate matter in the Diesel Particulate Filter is oxidized at low exhaust temperatures via passive regeneration. Volvo uses Selective Catalytic Reduction technology where Diesel Exhaust Fluid is heated to produce ammonia. This causes a chemical reaction which converts NOx to nitrogen and CO2 – both of which are naturally found in the air. Neither process interrupts machine operation, performance or productivity



Diesel-driven heater

The optional diesel-driven coolant heater helps to start the engine in low temperatures while simultaneously heating the cab. The heater can be set in advance to engage at a specific date and time.



Cooling fan

The hydraulically-driven, electronically controlled cooling fan regulates the temperature of the vital components. It automatically activates only when needed – reducing fuel consumption and noise. The optional reversible functionality – which blows air in the opposite direction – enables self-cleaning of the cooling units.





VOLVO ENGINE

Featuring proven, advanced technology and built on decades of experience, Volvo's robust D13 Tier 4 Final engine boasts more power while reducing both fuel consumption and emissions and delivering superior quality, reliability and durability.



REINFORCED UNDERCARRIAGE

With a strong three-piece undercarriage and a high strength tensile steel X-shaped frame, Volvo excavators are built to withstand tough conditions. For superior durability, the undercarriage components are reinforced – ensuring long life and high uptime.

Built to last

From quarries to mass excavation, these heavy-duty production machines have been built to work on tough job sites. Featuring a robust, reinforced structure and high quality welding, the EC350E and EC380E boast superior strength and durability. Experience reliability you can count on with Volvo.

Superstructure undercover

The heavy-duty superstructure undercover plates increase durability by providing additional protection to the underside of the machine in tough applications – preventing damage from rock and debris.



Doors and hinges

Volvo's durable design features a rigid side door with a robust handle and hinges for superior durability.



Robust design

The reinforced idler frame, track links, top and bottom rollers are built to withstand tough conditions for improved durability and reliability in demanding applications.



Up your uptime

At Volvo we believe that maintaining your machine should be as quick and easy as possible. That's why our designers and engineers have developed innovative methods to make maintenance easy. With large, wide opening compartment doors and grouped service points, checks will be carried out faster and you'll get the most out of every operating shift.

Service access

Grouped filters are quick and easy to access from ground level. To facilitate fast servicing, grouped greasing points are easily accessed with the machine in one position.



Anti-slip plates

Punched anti-slip plates provide superior grip and increased safety. The design facilitates easy cleaning.



Storage space

A large storage compartment provides a safe and convenient location for items including a toolbox and grease can.



Handrails

Handrails and full size fold-able guardrails provide safe and easy access to the cab and superstructure. The fold-able guardrail is to minimize transportation height when it is folded.



SINGLE MODULE COOLER

The radiator, charged air cooler and hydraulic oil cooler are situated side-by-side on a single layer to maximize efficiency, reduce blockages and aid cleaning. The system is easily accessed from ground level by simply opening the side door.



ATTACHMENTS

Volvo's durable attachments have been purpose-built to work in perfect harmony with Volvo machines, forming one solid, reliable unit. With functions and properties ideally matched, Volvo attachments are an integrated part of the excavator for which they're intended – delivering maximum productivity.

The perfect match

Maximize your productivity and profitability with the EC350E and EC380E and Volvo's durable range of attachments. Increase your versatility, access more applications and effectively perform a variety of tasks – all while experiencing faster cycle times and excellent control. Get the most out of your excavator with Volvo.

Bucket range

Volvo's general purpose buckets are the perfect tool for digging and re-handling in soft to medium conditions. Heavy-duty buckets are intended for productive digging in compact materials. Both provide maximum productivity and long life.



Optional auxiliary hydraulics

Factory fitted breaker and shear piping (X1) as well as tilt and rotator piping (X3) increase versatility by enabling a wide range of additional attachments to be used.



S-type quick coupler

The Volvo S-type quick coupler is designed to work with Volvo attachments – delivering ultimate compatibility and unrivalled performance.



Universal quick coupler

The Volvo universal quick coupler offers maximum versatility. It picks up a variety of attachments from various manufacturers and meets new safety regulations.



Genuine Volvo wear parts

Volvo offers a selection of economic, replaceable wear parts including high quality teeth, segments, side cutters, adapters and shrouds to protect the bucket and ensure long life.

Quality counts

Anti-slip plates

Punched anti-slip plates, handrails and full size fold-able guardrails provide safe and easy access to the machine.

HUMAN MACHINE INTERFACE (HMI)

All machine interfaces are ergonomically positioned and designed for optimum control and efficiency.

Advanced hydraulics

New electro-hydraulic system and main control valve use intelligent technology to control on-demand flow for high performance and efficiency.

Quick coupler

The Volvo quick coupler offers maximum versatility, picking up a wide variety of attachments.

ATTACHMENTS

Volvo's durable attachments have been purpose-built to deliver maximum productivity and long service life in combination with Volvo machines.

REINFORCED UNDERCARRIAGE

The undercarriage components are reinforced to ensure long life, high uptime and ultimate durability in tough conditions.



Diesel Exhaust Fluid (DEF)

Volvo offers a total DEF solution that is quality assured, cost efficient and easily accessible. Contact your Volvo dealer for more information.

LCD monitor

The new, eight inch LCD monitor clearly displays machine status information for easy operation and increased productivity.

ECO MODE

Volvo's unique ECO mode improves fuel efficiency without any loss of performance in most operating conditions.

Service access

Grouped filters are quick and easy to access from ground level via large, wide compartment doors.

VOLVO ENGINE

Volvo's D13 Tier 4 Final engine boasts more power while reducing both fuel consumption and emissions and delivering superior quality, reliability and durability.

SINGLE MODULE COOLER

The radiator, charged air cooler and hydraulic oil cooler are situated side-by-side on a single layer to maximize efficiency, reduce blockages and aid cleaning.

Volvo After Treatment System

The automatic regeneration process takes place without interrupting machine operation, performance or productivity.

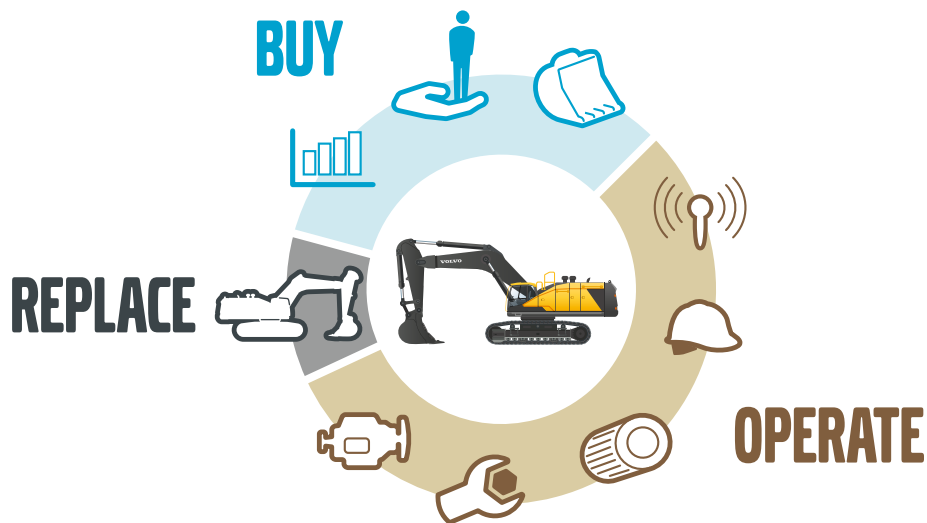


Adding value to your business

Being a Volvo customer means having a complete set of services at your fingertips. Volvo can offer you a long-term partnership, protect your revenue and provide a full range of customer solutions using high quality parts, delivered by passionate people. Volvo is committed to increasing the positive return on your investment and maximising uptime.

Complete Solutions

Volvo has the right solution for you. So why not let us provide all your needs throughout the whole life cycle of your machine? By listening to your requirements, we can reduce your total cost of ownership and increase your revenue.



Genuine Volvo Parts

Our attention to detail is what makes us stand out. This proven concept acts as a solid investment in your machine's future. Parts are extensively tested and approved because every part is vital for uptime and performance. Only by using Genuine Volvo Parts, can you be sure that your machine retains the renowned Volvo quality.

Service Network

In order to respond to your needs faster, a Volvo expert is on their way to your job site from one of our Volvo facilities. With our extensive infrastructure of technicians, workshops and dealers, Volvo has a comprehensive network to fully support you using local knowledge and global experience.





CUSTOMER SUPPORT AGREEMENTS

The range of Customer Support Agreements offer preventive maintenance, total repairs and a number of uptime services. Volvo uses the latest technology to monitor machine operation and status, giving you advice to increase your profitability. By having a Customer Support Agreement you are in control of your service costs.

Volvo EC350E, EC380E in detail

Engine

The latest generation, Volvo engine Tier 4f emissions certified diesel engine fully meets the demands of the latest, emissions regulations. Featuring Volvo Advanced Combustion Technology (V-ACT), it is designed to deliver superior performance and fuel efficiency. The engine uses precise, highpressure fuel injectors, turbo charger and air-to-air intercooler, and electronic engine controls to optimize machine performance.
Air Filter: 3-stage with precleaner.
Automatic Idling System: Reduces engine speed to idle when the levers and pedals are not activated resulting in less fuel consumption and low cab noise levels.

		EC350E	EC380E
Engine	Volvo	D13J	D13J
Max power at	r/min (r/s)	1,700 (28.3)	1,700 (28.3)
Net, ISO 9249/SAE J1349	kW (hp)	229 (307)	229 (307)
Gross, ISO 14396/SAE J1995	kW (hp)	230 (308)	230 (308)
Max torque	Nm (ft lbf)	1,692 (1,248)	1,692 (1,248)
at engine speed	r/min (r/s)	1,275 (21.25)	1,275 (21.25)
No. of cylinders		6	6
Displacement	l (in ³)	12.8 (781)	12.8 (781)
Bore	mm (in)	131 (5.16)	131 (5.16)
Stroke	mm (in)	158 (6.22)	158 (6.22)

Electrical system

High-capacity electrical system that is well protected. Waterproof double-lock harness plugs are used to secure corrosion-free connections. The main relays and solenoid valves are shielded to prevent damage. The master switch is standard. Contronics provides advanced monitoring of machine functions and important diagnostic information.

		EC350E	EC380E
Voltage	V	24	24
Batteries	V	2 x 12	2 x 12
Battery capacity	Ah	200	200
Alternator	V/A	28/80	28/80

Swing system

The swing system uses an axial piston motors, driving a planetary gearbox for maximum torque. An automatic holding brake and antirebound valve are standard.

		EC350E	EC380E
Max. slew speed	r/min	10.2	10.2
Max. slew torque	kNm (ft lbf)	119 (878)	130.5 (96,252)

Travel System

Each track is powered by an automatic two-speed shift travel motor. The track brakes are multi-disc, spring-applied and hydraulic released. The travel motor, brake and planetary gears are well protected within the track frame.

		EC350E	EC380E
Max. drawbar pull	kN (lbf)	276.5 (62,160)	276.5 (62,160)
Max. travel speed (low)	km/h (mi/h)	3.4 (2.1)	3.4 (2.1)
Max. travel speed (high)	km/h (mi/h)	5.3 (3.3)	5.3 (3.3)
Gradeability	°	35	35

Undercarriage

The undercarriage has a robust X-shaped frame. Greased and sealed track chains are standard.

		EC350E
Track shoes		2 x 50
Link pitch	mm (in)	215.9 (8.5)
Shoe width, triple grouser	mm (in)	600 / 700 / 800 / 900 (24 / 28 / 32 / 36)
Shoe width, double grouser	mm (in)	600 (24)
Bottom rollers		2 x 8
Top rollers		2 x 2

		EC380E
Track shoes		2 x 50
Link pitch	mm (in)	215.9 (8.5)
Shoe width, triple grouser	mm (in)	600 / 600HD / 700 / 800 / 900 (24 / 24HD / 28 / 32 / 36)
Shoe width, double grouser	mm (in)	600 (24)
Bottom rollers		2 x 9
Top rollers		2 x 2

Hydraulic system

The new electro-hydraulic system and new MCV (main control valve) use intelligent technology to control on-demand flow for highproductivity, high-digging capacity and excellent fuel consumption.
The following important functions are included in the system for optimum performance:
Summation system: Combines the flow of both hydraulic pumps to ensure quick cycle times and high productivity.
Boom priority: Gives priority to the boom operation for faster raising when loading or performing deep excavations.
Arm priority: Gives priority to the arm operation for faster cycle times in leveling and for increased bucket filling when digging.
Swing priority: Gives priority to swing functions for faster simultaneous operations.
Regeneration system: Prevents cavitation and provides flow to other movements during simultaneous operations for maximum productivity.
Power boost: All digging and lifting forces are increased.
Holding valves: Boom and arm holding valves prevent the digging equipment from creeping.

		EC350E	EC380E
Main pump, Type 2 x variable displacement axial piston pumps			
Maximum flow	l/min (gal/min)	2 x 300 (2 x 79.3)	2 x 300 (2 x 79.3)
Pilot pump, Type Gear pump			
Maximum flow	l/min (gal/min)	32.6 (8.6)	32.6 (8.6)
Implement	MPa (psi)	32.4/35.3 (4,699/5,120)	32.4/35.3 (4,699/5,120)
Travel circuit	MPa (psi)	35.3 (5,120)	35.3 (5,120)
Slew circuit	MPa (psi)	25.5 (3,700)	27.9 (4,050)
Pilot circuit	MPa (psi)	3.9 (566)	3.9 (566)

Hydraulic Motors

Travel: Variable displacement axial piston motor with mechanical brake.
 Slew: Fixed displacement axial piston motor with mechanical brake

Hydraulic Cylinders

		EC350E	EC380E
Mono boom		2	2
Bore x Stroke	ø x mm (ø x in)	160 x 1 530 (6.3 x 60.2)	160 x 1 530 (6.3 x 60.2)
Arm		1	1
Bore x Stroke	ø x mm (ø x in)	175 x 1 700 (6.9 x 66.9)	175 x 1 700 (6.9 x 66.9)
Bucket		1	1
Bore x Stroke	ø x mm (ø x in)	145 x 1 285 (5.7 x 50.6)	145 x 1 285 (5.7 x 50.6)
ME Bucket		1	1
Bore x Stroke	ø x mm (ø x in)	160 x 1 250 (6.3 x 49.2)	160 x 1 250 (6.3 x 49.2)

Service Refill

		EC350E	EC380E
Fuel tank	l (gal)	620 (163.8)	620 (163.8)
DEF/AdBlue® tank	l (gal)	62.5 (16.5)	62.5 (16.5)
Hydraulic system, total	l (gal)	500 (132.1)	500 (132.1)
Hydraulic tank	l (gal)	225 (59.4)	225 (59.4)
Engine oil	l (gal)	42 (11.1)	42 (11.1)
Engine coolant	l (gal)	60 (15.9)	60 (15.9)
Slew reduction unit	l (gal)	6 (1.6)	6.5 (1.7)
Travel reduction unit	l (gal)	2 x 6.8 (2 x 1.8)	2 x 6.8 (2 x 1.8)

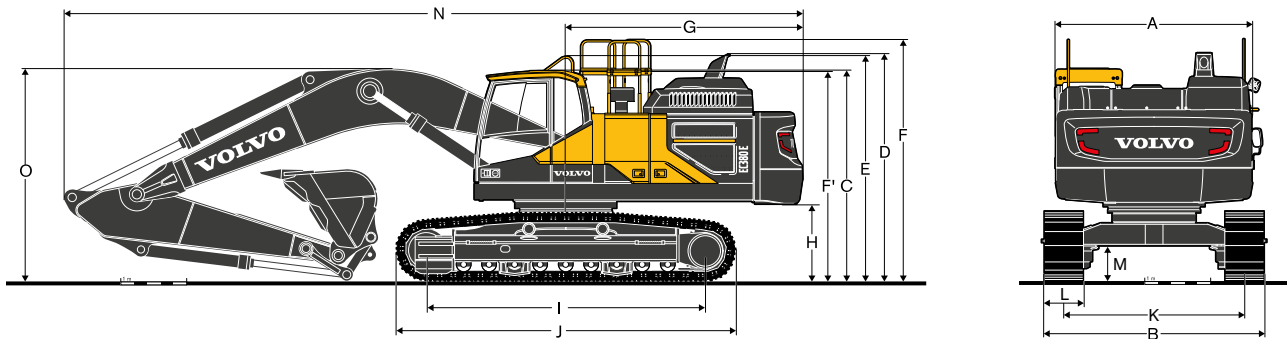
Cab

The operator's cab has easy access via a wide door opening. The cab is supported on hydraulic dampening mounts to reduce shock and vibration levels. These along with sound absorbing lining provide low noise levels. The cab has excellent all-round visibility. The front windshield can easily slide up into the ceiling, and the lower front glass can be removed and stored in the side door. Integrated airconditioning and heating system: The pressurized and filtered cab air is supplied by an automatically controlled fan. The air is distributed throughout the cab from 14 vents. Ergonomic operator's seat: The adjustable seat and joystick console move independently to accommodate the operator. The seat has 12 different adjustments plus a seat belt for the operator's comfort and safety. Refrigerant of the type R134a is used when this machine is equipped with air conditioning. Contains fluorinated greenhouse gas R134a, Global Warming Potential 1430 CO2-eq.

Sound Level

		EC350E	EC380E
Sound level in cab according to ISO 6396			
LpA	dB(A)	71	71
External sound level according to ISO 6395 and EU Noise Directive (2000/14/EC) and 474-1:2006 +A1:2009			
LwA	dB(A)	105	105

Specifications



DIMENSIONS

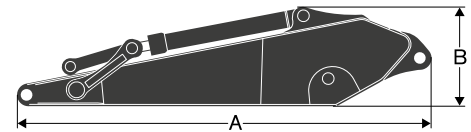
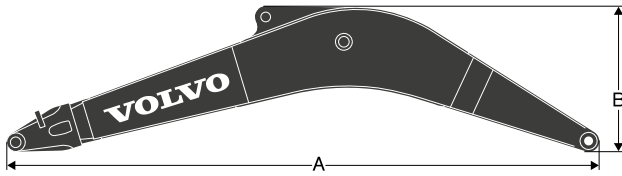
Description	Unit		EC350EL							
			6.2 (20'4")		6.45 (21'2")					
Boom	m (ft in)		2.6	8'6"	2.6	8'6"	3.2	10'6"	3.9	12'10"
A. Overall width of upper structure	mm	ft in	2 990	9'10"	2 990	9'10"	2 990	9'10"	2 990	9'10"
B. Overall width	mm	ft in	3 390	11'1"	3 390	11'1"	3 390	11'1"	3 390	11'1"
C. Overall height of cab	mm	ft in	3 230	10'7"	3 230	10'7"	3 230	10'7"	3 230	10'7"
D. Overall height of diffuser	mm	ft in	3 475	11'5"	3 475	11'5"	3 475	11'5"	3 475	11'5"
E. Overall height of handrail	mm	ft in	3 445	11'4"	3 445	11'4"	3 445	11'4"	3 445	11'4"
F. Overall height of guardrail (unfolded)	mm	ft in	3 695	12'1"	3 695	12'1"	3 695	12'1"	3 695	12'1"
F'. Overall height of guardrail (folded)	mm	ft in	3 220	10'7"	3 220	10'7"	3 220	10'7"	3 220	10'7"
G. Tail swing radius	mm	ft in	3 600	11'10"	3 600	11'10"	3 600	11'10"	3 600	11'10"
H. Counterweight clearance *	mm	ft in	1 160	3'10"	1 160	3'10"	1 160	3'10"	1 160	3'10"
I. Tumbler length	mm	ft in	4 020	13'2"	4 020	13'2"	4 020	13'2"	4 020	13'2"
J. Track length	mm	ft in	4 957	16'3"	4 957	16'3"	4 957	16'3"	4 957	16'3"
K. Track gauge	mm	ft in	2 590	8'6"	2 590	8'6"	2 590	8'6"	2 590	8'6"
L. Shoe width	mm	ft in	800	31"	800	31"	800	31"	800	31"
M. Min. ground clearance *	mm	ft in	500	1'8"	500	1'8"	500	1'8"	500	1'8"
N. Overall length	mm	ft in	11 050	36'3"	11 310	37'1"	11 225	36'10"	11 270	37'
O. Overall height of boom	mm	ft in	3 755	12'4"	3 605	11'10"	3 350	11'	3 595	11'10"

*Without shoe grouser

DIMENSIONS

Description	Unit		EC380EL							EC380ELR		
			6.2 (20'4")		6.45 (21'2")					8.5 (27'11")		
Boom	m (ft in)		2.6	8'6"	2.6	8'6"	3.2	10'6"	3.9	12'10"	5	16'5"
A. Overall width of upper structure	mm	ft in	2 990	9'10"	2 990	9'10"	2 990	9'10"	2 990	9'10"	2 990	9'10"
B. Overall width	mm	ft in	3 540	11'7"	3 540	11'7"	3 540	11'7"	3 540	11'7"	3 540	11'7"
C. Overall height of cab	mm	ft in	3 220	10'7"	3 220	10'7"	3 220	10'7"	3 220	10'7"	3 220	10'7"
D. Overall height of diffuser	mm	ft in	3 470	11'5"	3 470	11'5"	3 470	11'5"	3 470	11'5"	3 470	11'5"
E. Overall height of handrail	mm	ft in	3 440	11'3"	3 440	11'3"	3 440	11'3"	3 440	11'3"	3 440	11'3"
F. Overall height of guardrail (unfolded)	mm	ft in	3 685	12'1"	3 685	12'1"	3 685	12'1"	3 685	12'1"	3 685	12'1"
F'. Overall height of guardrail (folded)	mm	ft in	3 215	10'6"	3 215	10'6"	3 215	10'6"	3 215	10'6"	3 215	10'6"
G. Tail swing radius	mm	ft in	3 600	11'10"	3 600	11'10"	3 600	11'10"	3 600	11'10"	3 600	11'10"
H. Counterweight clearance *	mm	ft in	1 155	3'9"	1 155	3'9"	1 155	3'9"	1 155	3'9"	1 155	3'9"
I. Tumbler length	mm	ft in	4 240	13'11"	4 240	13'11"	4 240	13'11"	4 240	13'11"	4 240	13'11"
J. Track length	mm	ft in	5 180	17'	5 180	17'	5 180	17'	5 180	17'	5 180	17'
K. Track gauge	mm	ft in	2 740	9'	2 740	9'	2 740	9'	2 740	9'	2 740	9'
L. Shoe width	mm	ft in	800	32"	800	32"	800	32"	800	32"	800	32"
M. Min. ground clearance *	mm	ft in	500	1'8"	500	1'8"	500	1'8"	500	1'8"	500	1'8"
N. Overall length	mm	ft in	11 060	36'3"	11 310	37'1"	11 225	36'10"	11 270	37'	13 065	42'10"
O. Overall height of boom	mm	ft in	3 510	11'6"	3 455	11'4"	3 275	10'9"	3 485	11'5"	4 500	14'9"

*Without shoe grouser



DIMENSIONS

Boom

Description	Unit		EC350EL				EC380EL				EC380ELR	
	m	ft in	6.2 ME	20'4"	6.45 GP	21'2"	6.2 ME	20'4"	6.45 HD	21'2"	8.5 LR	27'11"
A	mm	ft in	6 460	21'2"	6 700	21'12"	6 460	21'2"	6 700	22'	8 750	28'8"
B	mm	ft in	1 740	5'9"	1 800	5'11"	1 740	5'9"	1 800	5'11"	1 610	5'3"
Width	mm	ft in	820	2'8"	820	2'8"	820	2'8"	820	2'8"	820	2'8"
Weight	kg	lb	3 355	7,390	3 345	7 380	3 355	7,390	3 310	7,300	4 855	10,710

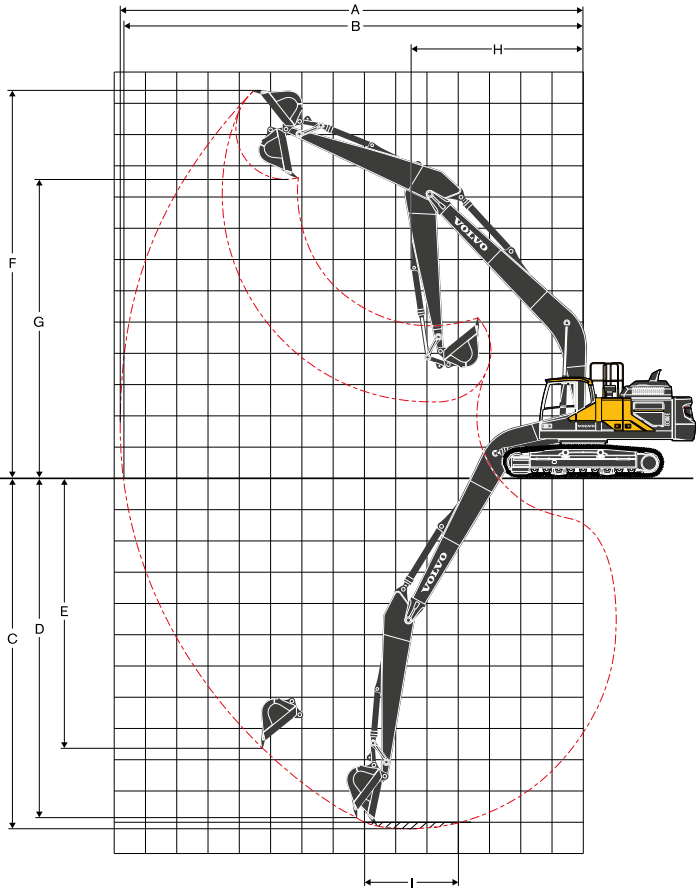
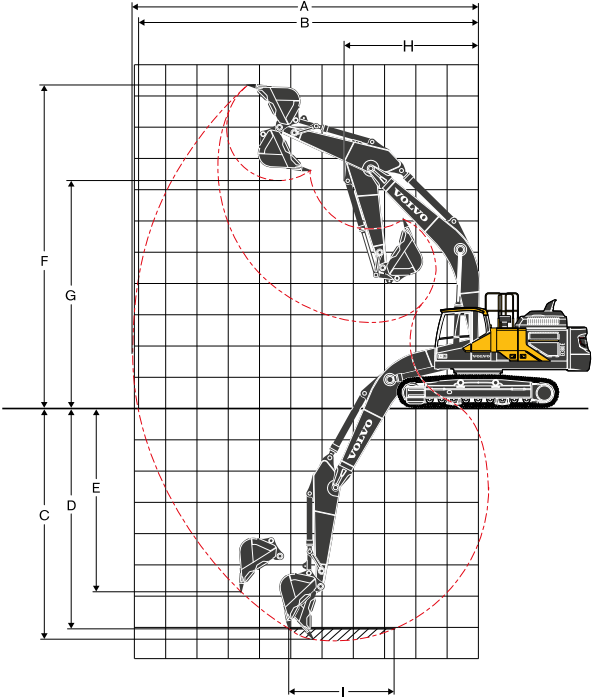
* Includes arm cylinder, piping and pin

Arm

Description	Unit		EC350EL						EC380EL						EC380ELR	
	m	ft in	2.6 ME	8'6"	3.2 GP	10'6"	3.9	12'10"	2.6 ME	8'6"	3.2 HD	10'6"	3.9 GP	12'10"	5.0 LR	16'5"
A	mm	ft in	3 780	12'5"	4 360	14'4"	5 080	16'8"	3 780	12'5"	4 360	14'4"	5 080	16'8"	6 180	20'3"
B	mm	ft in	1 145	3'9"	1 145	3'9"	1 145	3'9"	1 145	3'9"	1 145	3'9"	1 145	3'9"	1 040	3'5"
Width	mm	ft in	560	1'10"	560	1'10"	560	1'10"	560	1'10"	560	1'10"	560	1'10"	560	1'10"
Weight	kg	lb	2 050	4,520	2 180	4 810	2 300	5,070	2 050	4,520	2 180	4,810	2 300	5,070	2 525	5,570

* Includes bucket cylinder, linkage and pin

Specifications



WORK RANGES

Description	Unit		EC350E							
	m (ft in)		6.2 (20'4")		6.45 (21'2")					
	m	ft in	2.6	8'6"	2.6	8'6"	3.2	10'6"	3.9	12'10"
A. Max. digging reach	mm	ft in	10450	34'3"	10 695	35'1"	11220	36'10"	11 855	38'11"
B. Max. digging reach on ground	mm	ft in	10225	33'7"	10480	34'5"	11010	36'1"	11665	38'3"
C. Max. digging depth	mm	ft in	6 755	22'2"	6 990	22'11"	7 590	24'11"	8 290	27'2"
D. Max. digging depth (2.44 m/8' level)	mm	ft in	6 575	21'7"	6 805	22'4"	7 425	24'4"	8 145	26'9"
E. Max. vertical wall digging depth	mm	ft in	4 860	15'11"	5 000	16'5"	5510	18'1"	6 110	20'1"
F. Max. cutting height	mm	ft in	10 055	33'0"	10 195	33'5"	10 370	34'0"	10 640	34'11"
G. Max. dumping height	mm	ft in	6 800	22'4"	6 950	22'10"	7 140	23'5"	7 415	24'4"
H. Min. front slew radius	mm	ft in	4 090	13'5"	4 290	14'1"	4275	14'0"	4 305	14'1"

DIGGING FORCES WITH DIRECT FIT BUCKET

Breakout force - bucket (Normal/Power boost)	SAE J1179	kN	lb	214.5	48,220	198.0	44,510	198.0	44,510	198.0	44,510
	SAE J1179	kN	lb	234.5	52,720	215.0	48,335	215.0	48,335	215.0	48,335
	ISO 6015	kN	lb	243.4	54,720	221.7	49,840	221.7	49,840	221.7	49,840
	ISO 6015	kN	lb	265.4	59,665	242.7	54,560	242.7	54,560	242.7	54,560
Tearout force - dipper arm (Normal/Power boost)	SAE J1179	kN	lb	187.7	42,195	195.9	44,040	161.9	36,395	141.3	31,765
	SAE J1179	kN	lb	205.7	46,245	212.9	47,860	176.9	39,770	154.3	34,690
	ISO 6015	kN	lb	193.9	43,590	201.1	45,210	166.0	37,320	144.4	32,460
	ISO 6015	kN	lb	211.9	47,635	219.1	49,255	181.0	40,690	157.4	35,385

WORK RANGES

Description	Unit		EC380E									
	m (ft in)		6.2 (20'4")		6.45 (21'2")					8.5 (27'11")		
	m	ft in	2.6	8'6"	2.6	8'6"	3.2	10'6"	3.9	12'10"	5.0	16'5"
A. Max. digging reach	mm	ft in	10 450	34'3"	10 695	35'1"	11 220	36'10"	11 855	38'11"	14 750	48'5"
B. Max. digging reach on ground	mm	ft in	10 225	33'7"	10 480	34'5"	11 010	36'1"	11 665	38'3"	14 595	47'11"
C. Max. digging depth	mm	ft in	6 755	22'2"	6 990	22'11"	7 590	24'11"	8 290	27'2"	10 980	36'0"
D. Max. digging depth (2.44 m/8' level)	mm	ft in	6 575	21'7"	6 805	22'4"	7 425	24'4"	8 145	26'9"	10 860	35'8"
E. Max. vertical wall digging depth	mm	ft in	4 860	15'11"	5 000	16'5"	5 510	18'1"	6 110	20'1"	10 075	33'1"
F. Max. cutting height	mm	ft in	10 055	33'0"	10 195	33'5"	10 370	34'0"	10 640	34'11"	12 610	41'4"
G. Max. dumping height	mm	ft in	6 800	22'4"	6 950	22'10"	7 140	23'5"	7 415	24'4"	9 605	31'6"
H. Min. front slew radius	mm	ft in	4 090	13'5"	4 290	14'1"	4 275	14'0"	4 305	14'1"	5 730	18'10"

DIGGING FORCES WITH DIRECT FIT BUCKET

Breakout force - bucket (Normal/Power boost)	SAE J1179	kN	lb	214.5	48,220	198.0	44,510	198.0	44,510	198.0	44,510	148.3	33,339
	SAE J1179	kN	lb	234.5	52,720	215.0	48,335	215.0	48,335	215.0	48,335	148.3	33,339
	ISO 6015	kN	lb	243.4	54,720	221.7	49,840	221.7	49,840	221.7	49,840	166.4	37,408
	ISO 6015	kN	lb	265.4	59,665	242.7	54,560	242.7	54,560	242.7	54,560	166.4	37,408
Tearout force - dipper arm (Normal/Power boost)	SAE J1179	kN	lb	187.7	42,195	195.9	44,040	161.9	36,395	141.3	31,765	120.0	26,977
	SAE J1179	kN	lb	205.7	46,245	212.9	47,860	176.9	39,770	154.3	34,690	130.9	29,427
	ISO 6015	kN	lb	193.9	43,590	201.1	45,210	166.0	37,320	144.4	32,460	122.0	27,427
	ISO 6015	kN	lb	211.9	47,635	219.1	49,255	181.0	40,690	157.4	35,385	133.1	29,922

Specifications

BUCKET SELECTION GUIDE														
Bucket type		Capacity			Cutting width		Weight		Teeth	EC350EL				
										800mm(24") shoe, 6 700kg(14,770lb) counterweight		6.45m(21'2") Boom		
		L	m3	yd3	mm	ft/in	kg	lb	EA	2.6 m (8'6")	2.6 m (8'6")	3.2 m (10'6")	3.9 m (12'10")	
Direct fit Buckets	General purpose	870	0.87	1.1	750	2'6"	1 274	2,808	3	C	C	C	C	
		1 000	1.00	1.3	900	2'11"	1 368	3,017	4	C	C	C	C	
		1 180	1.18	1.5	1 050	3'5"	1 460	3,218	4	C	C	C	C	
		1 420	1.42	1.9	1 200	3'11"	1 612	3,554	5	C	C	C	C	
		1 670	1.67	2.2	1 350	4'5"	1 726	3,807	5	C	C	C	C	
		1 920	1.92	2.5	1 500	4'11"	1 866	4,116	5	C	C	C	C	
	Heavy duty	870	0.87	1.1	750	2'6"	1 352	2,981	3	D	D	D	D	
		1 000	1.00	1.3	900	2'11"	1 440	3,176	4	D	D	D	D	
		1 420	1.42	1.9	1 200	3'11"	1 715	3,781	5	D	D	D	D	
		1 670	1.67	2.2	1 350	4'5"	1 852	4,084	5	D	D	D	D	
		1 920	1.92	2.5	1 500	4'11"	1 985	4,377	5	D	D	D	D	
		2 330	2.33	3.0	1 750	5'9"	2 175	4,796	5	D	D	D	B	
	Direct fit Buckets (UQC interface)	General purpose	870	0.87	1.1	750	2'6"	1 274	2,808	3	C	C	C	C
			1 000	1.00	1.3	900	2'11"	1 368	3,017	4	C	C	C	C
1 180			1.18	1.5	1 050	3'5"	1 460	3,218	4	C	C	C	C	
1 420			1.42	1.9	1 200	3'11"	1 612	3,554	5	C	C	C	C	
1 670			1.67	2.2	1 350	4'5"	1 726	3,807	5	C	C	C	C	
1 920			1.92	2.5	1 500	4'11"	1 866	4,116	5	C	C	C	C	
2 330			2.33	3.0	1 750	5'9"	1 967	4,337	5	C	C	C	C	
Heavy duty			870	0.87	1.1	750	2'6"	1 352	2,981	3	D	D	D	D
		1 000	1.00	1.3	900	2'11"	1 440	3,176	4	D	D	D	D	
		1 420	1.42	1.9	1 200	3'11"	1 715	3,781	5	D	D	D	D	
		1 670	1.67	2.2	1 350	4'5"	1 852	4,084	5	D	D	D	D	
		1 920	1.92	2.5	1 500	4'11"	1 985	4,377	5	D	D	D	D	
		2 330	2.33	3.0	1 750	5'9"	2 175	4,796	5	D	D	D	B	
Quick coupler Buckets (S3 Quick coupler)		General purpose	1 000	1.00	1.3	900	2'11"	1 321	2,913	4	C	C	C	C
	1 180		1.18	1.5	1 050	3'5"	1 412	3,114	4	C	C	C	C	
	1 420		1.42	1.9	1 200	3'11"	1 564	3,449	5	C	C	C	C	
	1 670		1.67	2.2	1 350	4'5"	1 679	3,702	5	C	C	C	C	
	1 920		1.92	2.5	1 500	4'11"	1 802	3,974	5	C	C	C	C	
	Heavy duty		1 000	1.00	1.3	900	2'11"	1 393	3,072	4	D	D	D	D
			1 420	1.42	1.9	1 200	3'11"	1 648	3,634	5	D	D	D	D
		1 670	1.67	2.2	1 350	4'5"	1 791	3,950	5	D	D	D	D	
		1 920	1.92	2.5	1 500	4'11"	1 921	4,235	5	D	D	D	D	
		2 330	2.33	3.0	1 750	5'9"	2 119	4,673	5	D	D	C	B	
		Quick coupler Buckets (UQC36 Quick coupler)	830	0.83	1.1	750	2'6"	1 104	2,434	3	D	D	D	D
			1 000	1.00	1.3	900	2'11"	1 202	2,650	3	D	D	D	D
	1 240		1.24	1.6	1 100	3'7"	1 370	3,021	4	D	D	D	D	
	1 450		1.45	1.9	1 200	3'11"	1 435	3,164	4	D	D	D	D	
1 670	1.67		2.2	1 350	4'5"	1 570	3,462	5	D	D	D	D		
1 910	1.91		2.5	1 500	4'11"	1 725	3,804	5	D	D	D	D		
Bucket type	Capacity			Cutting width		Weight		Teeth	EC380ELR					
	800mm(32") shoe, 8 200kg(18 080lb) counterweight		8.5m(27'11") Boom											
	L	m3	yd3	mm	ft/in	kg	lb	EA	5.0m(16'5") Arm					
Direct fit Buckets	General purpose	1 400	1.40	1.8	1 495	4'11"	1 096	2,417	6	B				
	Fixed Ditching	950	0.95	1.2	1 500	4'11"	796	1,756	-	B				

Please consult with your Volvo dealer for the proper match of buckets and attachments to suit the application.

The recommendations are given as a guide only, based on typical operation conditions.

Bucket capacity based on ISO 7451, heaped material with a 1:1 angle of repose.

X : Not recommended

Maximum material density

	kg/m3	lb/yd3	
A	1 200 ~ 1 300	2,000 ~ 2,200	Coal, Caliche, Shale
B	1 400 ~ 1 600	2,300 ~ 2,700	Wet earth and clay, Limestone, Sandstone
C	1 700 ~ 1 800	2,800 ~ 3,100	Granite, Wet sand, Well blasted rock
D	1 900	> 3,200	Wet mud, Iron ore

GROUND PRESSURE

EC350EL

Description	Shoe width		Operating weight		Ground pressure		Operating weight		Ground pressure	
	mm	in	kg	lb	kPa	psi	kg	lb	kPa	psi
Triple grouser	600	24	37 150	81,920	67.8	9.8	36 260	79,950	66.1	9.6
	700	28	37 780	83,300	59.1	8.6	36 890	81,340	57.7	8.4
	800	32	38 160	84,140	52.2	7.6	37 270	82,180	51.0	7.4
	900	36	38 660	85,250	47.0	6.8	37 770	83,280	45.9	6.7
Triple grouser(HD)	600	24	37 870	83,500	69.1	10.0	36 980	81,540	67.4	9.8
			EC350E with LC undercarriage, 6.2m/20'4" ME boom, 2.6m/8'6" ME arm, 1 574kg/3,470lb bucket, 6 700kg/14,770lb counterweight				EC350E with LC undercarriage, 6.45m/21'2" boom, 3.2m/10'6" arm, 1 574kg/3,470lb bucket, 6 200kg/13,670lb counterweight			

EC350EL

Description	Shoe width		Operating weight		Ground pressure		Operating weight		Ground pressure	
	mm	in	kg	lb	kPa	psi	kg	lb	kPa	psi
Triple grouser	600	24	36 760	81,060	67.0	9.7	36 950	81,470	67.4	9.8
	700	28	37 390	82,440	58.5	8.5	37 580	82,860	58.7	8.5
	800	32	37 770	83,280	51.7	7.5	37 960	83,700	51.9	7.5
	900	36	38 270	84,390	46.5	6.7	38 460	84,800	46.8	6.8
Triple grouser(HD)	600	24	37 480	82,640	68.4	9.9	37 670	83,060	68.7	10.0
			EC350E with LC undercarriage, 6.45m/21'2" boom, 3.2m/10'6" arm, 1 574kg/3,470lb bucket, 6 700kg/14,770lb counterweight				EC350E with LC undercarriage, 6.45m/21'2" boom, 3.9m/12'10" arm, 1 574kg/3,470lb bucket, 6 700kg/14,770lb counterweight			

EC380EL

Description	Shoe width		Operating weight		Ground pressure		Operating weight		Ground pressure	
	mm	in	kg	lb	kPa	psi	kg	lb	kPa	psi
Triple grouser	600	24	38 356	84,570	70.0	10.1	38 856	85,680	70.9	10.3
	700	28	38 798	85,550	60.7	8.8	39 298	86,650	61.4	8.9
	800	32	39 248	86,540	53.7	7.8	39 748	87,640	54.4	7.9
	900	36	39 692	87,520	48.3	7.0	40 192	88,620	48.9	7.1
Triple grouser(HD)	600	24	38 783	85,520	70.7	10.3	39 283	86,620	71.6	10.4
Double grouser	600	24	38 633	85,190	70.5	10.2	39 133	86,290	71.4	10.3
			EC380E with LC undercarriage, 6.45m/21'2" boom, 3.2m/10'6" arm, 1 574kg/3,470lb bucket, 6 200kg/13,670lb counterweight				EC380E with LC undercarriage, 6.45m/21'2" boom, 3.2m/10'6" arm, 1 574kg/3,470lb bucket, 6 700kg/14,770lb counterweight			

EC380EL

Description	Shoe width		Operating weight		Ground pressure		Operating weight		Ground pressure	
	mm	in	kg	lb	kPa	psi	kg	lb	kPa	psi
Triple grouser	600	24	39 406	86,890	71.9	10.4	40 732	89,810	74.3	10.8
	700	28	39 833	87,830	72.7	10.5	41 159	90,760	75.1	10.9
	800	32	39 848	87,860	62.3	9.0	41 174	90,790	64.4	9.3
	900	36	40 298	88,860	55.1	8.0	41 624	91,780	56.9	8.3
Triple grouser(HD)	600	24	40 742	89,840	49.5	7.2	42 068	92,760	51.2	7.4
Double grouser	600	24	39 683	87,500	72.4	10.5	41 009	90,420	74.8	10.8
			EC380E with LC undercarriage, 6.45m/21'2" boom, 3.2m/10'6" arm, 1 574kg/3,470lb bucket, 7 250kg/15,980lb counterweight				EC380ELR with LC undercarriage, 8.5m/27'11" boom, 5.0m/16'5" arm, 1 096kg/2,415lb bucket, 8 200kg/18,080lb counterweight			

Specifications

LIFTING CAPACITY EC350E

Lifting capacity at the arm end without bucket.

For lifting capacity including bucket, simply subtract actual weight of the direct fit bucket or the bucket with quick coupler from the following values.

	Lifting hook related to ground level	1.5m, 5 ft		3.0m, 10 ft		4.5m, 15 ft		6.0m, 20 ft		7.5m, 25 ft		9.0m, 30 ft		Max. Reach				
		Along UC	Across UC	Along UC	Across UC	Along UC	Across UC	Along UC	Across UC	Along UC	Across UC	Along UC	Across UC	Along UC	Across UC	max.		
Boom : 6.2m (20'4") Arm : 2.6m (8'6") Shoe : 800mm (32") CWT : 6 200kg (13,670lb)	7.5 m kg							*10 700	*10 700					*10 880	9 580	6.7 m		
	25 ft lb							*23,670	*23,670					*24,040	21,670	21.7 ft		
	6 m kg							*11 230	*11 230	*10 740	7 890			*10 770	7 570	7.7 m		
	20 ft lb							*24,500	*24,500	*23,740	16,930			*23,750	16,890	25.0 ft		
	4.5 m kg					*15 870	*15 870	*12 680	10 920	*11 200	7 730			9 550	6 580	8.3 m		
	15 ft lb					*34,100	*34,100	*27,490	23,550	24,150	16,640			21,170	14,590	27.1 ft		
	3 m kg					*19 790	15 770	*14 480	10 360	10 940	7 470			8 900	6 100	8.6 m		
	10 ft lb					*42,540	34,050	*31,340	22,370	23,570	16,100			19,650	13,470	28.1 ft		
	1.5 m kg					*22 290	14 950	15 010	9 900	10 680	7 230			8 730	5 960	8.6 m		
	5 ft lb					*48,160	32,220	32,310	21,370	23,010	15,590			19,260	13,140	28.2 ft		
	0 m kg					*22 820	14 680	14 720	9 640	10 510	7 080			9 040	6 140	8.3 m		
	0 ft lb					*49,500	31,590	31,660	20,790	22,660	15,270			19,940	13,530	27.3 ft		
	-1.5 m kg			*17 820	*17 820	*22 000	14 700	14 650	9 580	10 500	7 060			9 970	6 740	7.8 m		
	-5 ft lb			*40,560	*40,560	*47,770	31,620	31,510	20,660	22,650	15,270			22,030	14,890	25.5 ft		
	-3 m kg			*26 470	*26 470	*19 840	14 930	14 810	9 730					12 110	8 110	6.9 m		
	-10 ft lb			*57,500	*57,500	*42,950	32,140	31,890	21,000					26,930	18,040	22.4 ft		
	-4.5 m kg					*15 280	*15 280							*12 270	11 800	5.4 m		
	-15 ft lb					*32,470	*32,470							*26,940	26,740	17.4 ft		
Boom : 6.45m (21'2") Arm : 2.6m (8'6") Shoe : 800mm (32") CWT : 6 200kg (13,670lb)	7.5 m kg							*10 330	*10 330					*10 490	8 920	7.0 m		
	25 ft lb							*22,780	*22,780					*23,170	20,130	22.7 ft		
	6 m kg							*11 090	*11 090	*10 430	7 950			10 350	7 190	8.0 m		
	20 ft lb							*24,150	*24,150	*22,950	17,080			*23,020	16,020	25.9 ft		
	4.5 m kg					*16 200	*16 200	*12 670	10 880	*11 060	7 750			9 120	6 310	8.5 m		
	15 ft lb					*34,740	*34,740	*27,440	23,480	*24,110	16,700			20,200	13,990	27.9 ft		
	3 m kg							*14 550	10 330	10 940	7 490			8 540	5 880	8.8 m		
	10 ft lb							*31,460	22,310	23,570	16,150			18,850	12,980	28.9 ft		
	1.5 m kg							14 970	9 900	10 680	7 250			8 390	5 750	8.8 m		
	5 ft lb							32,230	21,360	23,010	15,650			18,500	12,680	29.0 ft		
	0 m kg					*21 890	14 710	14 700	9 660	10 520	7 100			8 670	5 910	8.6 m		
	0 ft lb					*49,710	31,650	31,630	20,840	22,660	15,330			19,110	13,040	28.2 ft		
	-1.5 m kg			*14 940	*14 940	*22 090	14 750	14 640	9 610	10 490	7 080			9 490	6 450	8.1 m		
	-5 ft lb			*34,100	*34,100	*47,970	31,730	31,500	20,720	22,620	15,290			20,970	14,250	26.4 ft		
	-3 m kg			*26 570	*26 570	*20 130	14 970	14 780	9 730					11 330	7 650	7.2 m		
	-10 ft lb			*57,790	*57,790	*43,610	32,210	31,820	21,010					25,180	17,000	23.4 ft		
	-4.5 m kg			*21 150	*21 150	*16 220	15 430							*12 240	10 650	5.8 m		
	-15 ft lb			*45,470	*45,470	*34,700	33,250							*26,920	24,030	18.7 ft		
Boom : 6.45m (21'2") Arm : 3.2m (10'6") Shoe : 800mm (32") CWT : 6 200kg (13,670lb)	7.5 m kg									*9 400	8 200			*8 190	7 880	7.7 m		
	25 ft lb									*20,720	18,080			*18,140	17,710	24.9 ft		
	6 m kg									*9 630	8 130			*7 980	6 540	8.5 m		
	20 ft lb									*21,140	17,490			*17,610	14,560	27.9 ft		
	4.5 m kg					*14 530	*14 530	*11 770	11 130	*10 410	7 910	8 490	5 900	*8 060	5 820	9.1 m		
	15 ft lb					*31,220	*31,220	*25,510	24,010	*22,710	17,040	18,720	13,010	*17,750	12,900	29.7 ft		
	3 m kg					*18 730	16 150	*13 790	10 570	11 080	7 620	8 360	5 780	7 890	5 460	9.3 m		
	10 ft lb					*40,250	34,860	*29,830	22,810	23,870	16,440	17,990	12,450	17,420	12,050	30.6 ft		
	1.5 m kg					*21 810	15 240	*15 180	10 080	10 790	7 360	8 220	5 650	7 760	5 340	9.4 m		
	5 ft lb					*47,070	32,850	32,660	21,760	23,250	15,870	17,710	12,180	17,110	11,780	30.7 ft		
	0 m kg					*22 980	14 860	14 830	9 770	10 580	7 170	8 120	5 560	7 970	5 460	9.1 m		
	0 ft lb					*49,790	31,970	31,900	21,080	22,800	15,460	17,900	12,260	17,570	12,040	29.9 ft		
	-1.5 m kg	*10 640	*10 640	*15 150	*15 150	*22 740	14 790	14 690	9 650	10 490	7 080			8 600	5 870	8.6 m		
	-5 ft lb	*23,470	*23,470	*34,280	*34,280	*49,330	31,810	31,590	20,810	22,610	15,290			19,000	12,980	28.3 ft		
	-3 m kg	*17 630	*17 630	*23 890	*23 890	*21 310	14 920	14 740	9 700	10 560	7 140			9 970	6 780	7.8 m		
	-10 ft lb	*39,510	*39,510	*54,150	*54,150	*46,180	32,090	31,710	20,920	22,780	15,450			22,120	15,030	25.5 ft		
	-4.5 m kg			*24 740	*24 740	*18 290	15 250	*13 720	9 940					*12 050	8 800	6.6 m		
	-15 ft lb			*53,320	*53,320	*39,340	32,850	*29,220	21,500					*26,590	19,760	21.3 ft		
Boom : 6.45m (21'2") Arm : 3.9m (12'10") Shoe : 800mm (32") CWT : 6 200kg (13,670lb)	9 m kg													*6 930	*6 930	7.3 m		
	30 ft lb													*15,430	*15,430	23.3 ft		
	7.5 m kg									*8 240	*8 240			*6 480	*6 480	8.4 m		
	25 ft lb									*18,250	17,990			*14,330	*14,330	27.4 ft		
	6 m kg									*8 610	8 250	*7 710	6 060	*6 330	5 780	9.2 m		
	20 ft lb									*18,870	17,760	*14,690	12,990	*13,960	12,860	30.2 ft		
	4.5 m kg									*10 490	*10 490	*9 490	7 990	8 560	5 960	*6 380	5 210	9.7 m
	15 ft lb									*22,750	*22,750	*20,690	17,220	18,400	12,810	*14,060	11,530	31.9 ft
	3 m kg					*16 610	16 570	*12 610	10 710	*10 640	7 670	8 380	5 790	*6 630	4 900	10.0 m		
	10 ft lb					*35,710	*35,710	*27,280	23,110	*23,140	16,530	18,040	12,470	*14,570	10,810	32.7 ft		
	1.5 m kg					*20 290	15 420	*14 630	10 140	10 800	7 350	8 200	5 620	6 980	4 790	10.0 m		
	5 ft lb					*43,770	33,240	*31,670	21,870	23,260	15,850	17,650	12,110	15,400	10,560	32.8 ft		
	0 m kg					*22 310	14 800	14 800	9 730	10 530	7 100	8 050	5 480	7 130	4 860	9.8 m		
	0 ft lb					*21,280	*21,280	*48,290	31,850	31,820	20,980	22,680	15,320	17,340	11,820	15,720	10,730	32.1 ft
	-1.5 m kg	*9 550	*9 550	*14 260	*14 260	*22 790	14 570	14 560	9 520	10 370	6 960	7 980	5 420	7 600	5 170	9.3 m		
	-5 ft lb	*21,320	*21,320	*32,220	*32,220	*49,410	31,350	31,300	20,520	22,350	15,020	17,210	11,700	16,780	11,420	30.6 ft		
	-3 m kg	*14 870	*14 870	*20 600	*20 600	*22 020	14 600	14 520	9 490	10 360	6 950			8 580	5 820	8.6 m		
	-10 ft lb	*33,290	*33,290	*46,610	*46,610	*47,720	31,420	31,230	20,460	22,330	15,000			19,020	12,910	28.0 ft		
-4.5 m kg	*21 230	*21 230	*27 870	*27 870	*19 860	14 850	14 690	9 640					10 630	7 170	7.5 m			
-15 ft lb	*47,770	*47,770	*60,150	*60,150	*42,830	31,970	31,630	20,810					23,770	16,030	24.3 ft			
-6 m kg			*21 090	*21 090	*15 340	*15 340							*11 490	10 710	5.7 m			
-20 ft lb			*44,720	*44,720	*32,370	*32,370							*25,300	24,550	18.4 ft			

Notes: 1. Machine in "Fine Mode-F" (Power Boost) for lifting capacities. 2. The above loads are in compliance with SAE J1097 and ISO 10567 Hydraulic Excavator Lifting Capacity Standards. 3. Rated loads do not exceed 87% of hydraulic lifting capacity or 75% of tipping load. 4. Rated loads marked with an asterisk (*) are limited by hydraulic capacity rather than tipping load.

LIFTING CAPACITY EC350E

Lifting capacity at the arm end without bucket.

For lifting capacity including bucket, simply subtract actual weight of the direct fit bucket or the bucket with quick coupler from the following values.

	Lifting hook related to ground level	1.5m, 5 ft		3.0m, 10 ft		4.5m, 15 ft		6.0m, 20 ft		7.5m, 25 ft		9.0m, 30 ft		Max. Reach				
		Along UC	Across UC	Along UC	Across UC	Along UC	Across UC	Along UC	Across UC	Along UC	Across UC	Along UC	Across UC	Along UC	Across UC	max.		
Boom : 6.2m (20'4") Arm : 2.6m (8'6") Shoe : 800mm (32") CWT : 6 700kg (14,770lb)	7.5 m kg							*10 700	*10 700					*10 880	9 910	6.7 m		
	25 ft lb							*23,670	*23,670					*24,040	22,410	21.7 ft		
	6 m kg							*11 230	*11 230	*10 740	8 180			*10 770	7 850	7.7 m		
	20 ft lb							*24,500	*24,500	*23,740	17,540			*23,750	17,500	25.0 ft		
	4.5 m kg					*15 870	*15 870	*12 680	11 300	*11 200	8 010			9 860	6 830	8.3 m		
	15 ft lb					*34,100	*34,100	*27,490	24,370	*24,470	17,250			21,840	15,140	27.1 ft		
	3 m kg					*19 790	16 330	*14 480	10 740	11 290	7 750			9 190	6 340	8.6 m		
	10 ft lb					*42,540	35,260	*31,340	23,180	24,320	16,710			20,290	14,000	28.1 ft		
	1.5 m kg					*22 290	15 510	15 490	10 280	11 030	7 510			9 020	6 200	8.6 m		
	5 ft lb					*48,160	33,430	33,340	22,180	23,760	16,210			19,900	13,660	28.2 ft		
	0 m kg					*22 820	15 240	15 190	10 020	10 860	7 360			9 340	6 380	8.3 m		
	0 ft lb					*49,500	32,800	32,690	21,610	23,400	15,880			20,600	14,080	27.3 ft		
	-1.5 m kg			*17 820	*17 820	*22 000	15 260	15 120	9 960	10 850	7 350			10 300	7 010	7.8 m		
	-5 ft lb			*40,560	*40,560	*47,770	32,830	32,540	21,470	23,400	15,880			22,760	15,480	25.5 ft		
	-3 m kg			*26 470	*26 470	*19 840	15 500	*15 040	10 100					12 500	8 430	6.9 m		
	-10 ft lb			*57,500	*57,500	*42,950	33,350	*32,380	21,810					*27,640	18,740	22.4 ft		
-4.5 m kg					*15 280	*15 280							*12 270	12 240	5.4 m			
-15 ft lb					*32,470	*32,470							*26,940	*26,940	17.4 ft			
Boom : 6.45m (21'2") Arm : 2.6m (8'6") Shoe : 800mm (32") CWT : 6 700kg (14,770lb)	7.5 m kg							*10 330	*10 330					*10 490	9 230	7.0 m		
	25 ft lb							*22,780	*22,780					*23,170	20,820	22.7 ft		
	6 m kg							*11 090	*11 090	*10 430	8 230			*10 440	7 450	8.0 m		
	20 ft lb							*24,150	*24,150	*22,950	17,690			*23,020	16,610	25.9 ft		
	4.5 m kg					*16 200	*16 200	*12 670	11 260	*11 060	8 030			9 410	6 550	8.5 m		
	15 ft lb					*34,740	*34,740	*27,440	24,290	*24,110	17,310			20,850	14,520	27.9 ft		
	3 m kg							*14 550	10 710	11 290	7 770			8 820	6 110	8.8 m		
	10 ft lb							*31,460	23,120	24,310	16,760			19,460	13,490	28.9 ft		
	1.5 m kg							15 450	10 270	11 030	7 530			8 670	5 980	8.8 m		
	5 ft lb							33,250	22,180	23,760	16,260			19,120	13,190	29.0 ft		
	0 m kg					*21 890	15 270	15 180	10 040	10 860	7 390			8 960	6 150	8.6 m		
	0 ft lb					*49,710	32,860	32,660	21,650	23,410	15,940			19,750	13,570	28.2 ft		
	-1.5 m kg			*14 940	*14 940	*22 090	15 320	15 120	9 980	10 830	7 360			9 810	6 710	8.1 m		
	-5 ft lb			*34,100	*34,100	*47,970	32,940	32,530	21,530	23,360	15,900			21,670	14,830	26.4 ft		
	-3 m kg			*26 570	*26 570	*20 130	15 530	15 260	10 110					11 700	7 950	7.2 m		
	-10 ft lb			*57,790	*57,790	*43,610	33,420	32,850	21,820					26,000	17,660	23.4 ft		
-4.5 m kg			*21 150	*21 150	*16 220	15 990							*12 240	11 040	5.8 m			
-15 ft lb			*45,470	*45,470	*34,700	34,460							*26,920	24,920	18.7 ft			
Boom : 6.45m (21'2") Arm : 3.2m (10'6") Shoe : 800mm (32") CWT : 6 700kg (14,770lb)	7.5 m kg									*9 400	8 480			*8 190	8 150	7.7 m		
	25 ft lb									*20,720	18,690			*18,140	*18,140	24.9 ft		
	6 m kg									*9 630	8 410			*7 980	6 780	8.5 m		
	20 ft lb									*21,140	18,100			*17,610	15,100	27.9 ft		
	4.5 m kg					*14 530	*14 530	*11 770	11 510	*10 410	8 190	8 760	6 130	*8 060	6 050	9.1 m		
	15 ft lb					*31,220	*31,220	*25,510	24,830	*22,710	17,650	19,310	13,510	*17,750	13,400	29.7 ft		
	3 m kg					*18 730	16 710	*13 790	10 950	11 430	7 900	8 630	6 010	8 150	5 670	9.3 m		
	10 ft lb					*40,250	36,070	*29,830	23,620	24,620	17,050	18,580	12,940	18,000	12,530	30.6 ft		
	1.5 m kg					*21 810	15 800	*15 580	10 460	11 140	7 640	8 490	5 880	8 020	5 550	9.4 m		
	5 ft lb					*47,070	34,060	33,690	22,570	23,990	16,480	18,300	12,670	17,680	12,250	30.7 ft		
	0 m kg					*22 980	15 420	15 300	10 150	10 930	7 450	8 400	5 790	8 230	5 680	9.1 m		
	0 ft lb					*49,790	33,180	32,920	21,890	23,550	16,070	18,520	12,760	18,160	12,530	29.9 ft		
	-1.5 m kg	*10 640	*10 640	*15 150	*15 150	*22 740	15 350	15 170	10 030	10 840	7 370			8 890	6 110	8.6 m		
	-5 ft lb	*23,470	*23,470	*34,280	*34,280	*49,330	33,020	32,620	21,620	23,360	15,900			19,640	13,500	28.3 ft		
	-3 m kg	*17 630	*17 630	*23 890	*23 890	*21 310	15 480	15 220	10 070	10 900	7 430			10 300	7 040	7.8 m		
	-10 ft lb	*39,510	*39,510	*54,150	*54,150	*46,180	33,300	32,740	21,730	23,530	16,060			22,850	15,630	25.5 ft		
-4.5 m kg			*24 740	*24 740	*18 290	15 820	*13 720	10 320					*12 050	9 140	6.6 m			
-15 ft lb			*53,320	*53,320	*39,340	34,060	*29,220	22,310					*26,590	20,510	21.3 ft			
Boom : 6.45m (21'2") Arm : 3.9m (12'10") Shoe : 800mm (32") CWT : 6 700kg (14,770lb)	9 m kg													*6 930	*6 930	7.3 m		
	30 ft lb													*15,430	*15,430	23.3 ft		
	7.5 m kg									*8 240	*8 240			*6 480	*6 480	8.4 m		
	25 ft lb									*18,250	*18,250			*14,330	*14,330	27.4 ft		
	6 m kg									*8 610	8 530	*7 710	6 290	*6 330	6 000	9.2 m		
	20 ft lb									*18,870	18,370	*14,690	13,480	*13,960	13,350	30.2 ft		
	4.5 m kg									*10 490	*10 490	*9 490	8 280	8 830	6 180	*6 380	5 410	9.7 m
	15 ft lb									*22,750	*22,750	*20,690	17,830	18,990	13,300	*14,060	11,980	31.9 ft
	3 m kg					*16 610	*16 610	*12 610	11 090	*10 640	7 950	8 650	6 020	*6 630	5 100	10.0 m		
	10 ft lb					*35,710	*35,710	*27,280	23,930	*23,140	17,150	18,630	12,960	*14,570	11,250	32.7 ft		
	1.5 m kg					*20 290	15 990	*14 630	10 510	11 150	7 630	8 470	5 850	*7 060	4 990	10.0 m		
	5 ft lb					*43,770	34,450	*31,670	22,680	24,010	16,470	18,240	12,600	*15,550	11,000	32.8 ft		
	0 m kg					*22 310	15 360	15 270	10 110	10 880	7 390	8 320	5 710	7 370	5 070	9.8 m		
	0 ft lb					*48,290	33,060	32,850	21,790	23,430	15,930	17,930	12,310	16,260	11,180	32.1 ft		
	-1.5 m kg	*9 550	*9 550	*14 260	*14 260	*22 790	15 130	15 030	9 890	10 720	7 250	8 250	5 650	7 860	5 390	9.3 m		
	-5 ft lb	*21,320	*21,320	*32,220	*32,220	*49,410	32,560	32,330	21,330	23,100	15,630	17,800	12,190	17,360	11,900	30.6 ft		
-3 m kg	*14 870	*14 870	*20 600	*20 600	*22 020	15 170	15 000	9 860	10 710	7 230			8 870	6 060	8.6 m			
-10 ft lb	*33,290	*33,290	*46,610	*46,610	*47,720	32,630	32,260	21,270	23,080	15,610			19,660	13,440	28.0 ft			
-4.5 m kg	*21 230	*21 230	*27 870	*27 870	*19 860	15 410	*14 970	10 010					10 980	7 460	7.5 m			
-15 ft lb	*47,770	*47,770	*60,150	*60,150	*42,830	33,180	*32,180	21,620					24,550	16,670	24.3 ft			
-6 m kg			*21 090	*21 090	*15 340	*15 340							*11 490	*11 110	5.7 m			
-20 ft lb			*44,720	*44,720	*32,370	*32,370							*25,300	*25,300	18.4 ft			

Notes: 1. Machine in "Fine Mode-F" (Power Boost) for lifting capacities. 2. The above loads are in compliance with SAE J1097 and ISO 10567 Hydraulic Excavator Lifting Capacity Standards. 3. Rated loads do not exceed 87% of hydraulic lifting capacity or 75% of tipping load. 4. Rated loads marked with an asterisk (*) are limited by hydraulic capacity rather than tipping load.

Specifications

LIFTING CAPACITY EC350E

Lifting capacity at the arm end without bucket.

For lifting capacity including bucket, simply subtract actual weight of the direct fit bucket or the bucket with quick coupler from the following values.

	Lifting hook related to ground level	1.5m, 5 ft		3.0m, 10 ft		4.5m, 15 ft		6.0m, 20 ft		7.5m, 25 ft		9.0m, 30 ft		Max. Reach				
		Along UC	Across UC	Along UC	Across UC	Along UC	Across UC	Along UC	Across UC	Along UC	Across UC	Along UC	Across UC	Along UC	Across UC	max.		
Boom : 6.2m (20'4") Arm : 2.6m (8'6") Shoe : 900mm (36") CWT : 6 200kg (13,670lb)	7.5 m kg							*10 700	*10 700					*10 880	9 670	6.7 m		
	25 ft lb							*23,670	*23,670					*24,040	21,860	21.7 ft		
	6 m kg							*11 230	*11 230	*10 740	7 970			*10 770	7 640	7.7 m		
	20 ft lb							*24,500	*24,500	*23,740	17,090			*23,750	17,050	25.0 ft		
	4.5 m kg					*15 870	*15 870			*12 680	11 020	*11 200	7 800		9 650	6 650	8.3 m	
	15 ft lb					*34,100	*34,100	*27,490	23,760	24,390	16,800			21,380	14,730	27.1 ft		
	3 m kg					*19 790	15 920	*14 480	10 460	11 050	7 540			8 990	6 160	8.6 m		
	10 ft lb					*42,540	34,360	*31,340	22,580	23,800	16,260			19,850	13,610	28.1 ft		
	1.5 m kg					*22 290	15 100	15 170	10 000	10 790	7 300			8 830	6 020	8.6 m		
	5 ft lb					*48,160	32,540	32,640	21,580	23,250	15,750			19,460	13,270	28.2 ft		
	0 m kg					*22 820	14 830	31,940	14 870	9 740	10 620	7 150		9 140	6 200	8.3 m		
	0 ft lb					*49,500	31,900	31,980	21,000	22,890	15,430			20,150	13,670	27.3 ft		
	-1.5 m kg			*17 820	*17 820	*22 000	14 850	14 800	9 680	10 610	7 140			10 080	6 810	7.8 m		
	-5 ft lb			*40,560	*40,560	*47,770	31,940	31,830	20,870	22,890	15,430			22,270	15,040	25.5 ft		
	-3 m kg			*26 470	*26 470	*19 840	15 080	14 960	9 820					12 230	8 200	6.9 m		
-10 ft lb			*57,500	*57,500	*42,950	32,450	32,210	21,210					27,210	18,220	22.4 ft			
-4.5 m kg						*15 280	*15 280						*12 270	11 920	5.4 m			
-15 ft lb						*32,470	*32,470						*26,940	*26,940	17.4 ft			
Boom : 6.45m (21'2") Arm : 2.6m (8'6") Shoe : 900mm (36") CWT : 6 200kg (13,670lb)	7.5 m kg							*10 330	*10 330					*10 490	9 000	7.0 m		
	25 ft lb							*22,780	*22,780					*23,170	20,310	22.7 ft		
	6 m kg							*11 090	*11 090	*10 430	8 020			*10 440	7 260	8.0 m		
	20 ft lb							*24,150	*24,150	*22,950	17,240			*23,020	16,170	25.9 ft		
	4.5 m kg					*16 200	*16 200	*12 670	10 980	*11 060	7 830			9 210	6 370	8.5 m		
	15 ft lb					*34,740	*34,740	*27,440	23,690	*24,110	16,860			20,410	14,120	27.9 ft		
	3 m kg							*14 550	10 430	11 050	7 560			8 620	5 940	8.8 m		
	10 ft lb							*31,460	22,520	23,800	16,310			19,040	13,110	28.9 ft		
	1.5 m kg							15 120	10 000	10 790	7 330			8 480	5 810	8.8 m		
	5 ft lb							32,550	21,570	23,250	15,810			18,700	12,820	29.0 ft		
	0 m kg					*21 890	14 850	14 850	9 760	10 630	7 180			8 760	5 980	8.6 m		
	0 ft lb					*49,710	31,960	31,960	21,050	22,900	15,490			19,310	13,180	28.2 ft		
	-1.5 m kg			*14 940	*14 940	*22 090	14 900	14 790	9 710	10 600	7 150			9 590	6 520	8.1 m		
	-5 ft lb			*34,100	*34,100	*47,970	32,040	31,820	20,930	22,850	15,450			21,190	14,400	26.4 ft		
	-3 m kg			*26 570	*26 570	*20 130	15 120	14 940	9 830					11 450	7 730	7.2 m		
-10 ft lb			*57,790	*57,790	*43,610	32,520	32,150	21,220					25,440	17,170	23.4 ft			
-4.5 m kg			*21 150	*21 150	*16 220	15 570							*12 240	10 750	5.8 m			
-15 ft lb			*45,470	*45,470	*34,700	33,560							*26,920	24,260	18.7 ft			
Boom : 6.45m (21'2") Arm : 3.2m (10'6") Shoe : 900mm (36") CWT : 6 200kg (13,670lb)	7.5 m kg									*9 400	8 270			*8 190	7 950	7.7 m		
	25 ft lb									*20,720	18,230			*18,140	17,870	24.9 ft		
	6 m kg									*9 630	8 200			*7 980	6 600	8.5 m		
	20 ft lb									*21,140	17,650			*17,610	14,700	27.9 ft		
	4.5 m kg					*14 530	*14 530	*11 770	11 230	*10 410	7 980	8 580	5 960	*8 060	5 880	9.1 m		
	15 ft lb					*31,220	*31,220	*25,510	24,230	*22,710	17,190	18,910	13,140	*17,750	13,030	29.7 ft		
	3 m kg					*18 730	16 300	*13 790	10 670	11 190	7 700	8 450	5 840	*7 970	5 510	9.3 m		
	10 ft lb					*40,250	35,170	*29,830	23,020	24,110	16,600	18,180	12,580	*17,600	12,170	30.6 ft		
	1.5 m kg					*21 810	15 390	15 330	10 180	10 900	7 430	8 310	5 710	*7 840	5 400	9.4 m		
	5 ft lb					*47,070	33,160	32,990	21,970	23,480	16,030	17,890	12,310	*17,290	11,900	30.7 ft		
	0 m kg					*22 980	15 000	14 980	9 870	10 690	7 240	8 210	5 620	*8 050	5 520	9.1 m		
	0 ft lb					*49,790	32,290	32,220	21,290	23,030	15,620	18,100	12,390	*17,760	12,170	29.9 ft		
	-1.5 m kg	*10 640	*10 640	*15 150	*15 150	*22 740	14 930	14 840	9 750	10 600	7 160			8 690	5 940	8.6 m		
	-5 ft lb	*23,470	*23,470	*34,280	*34,280	*49,330	32,120	31,920	21,020	22,850	15,450			19,210	13,110	28.3 ft		
	-3 m kg	*17 630	*17 630	*23 890	*23 890	*21 310	15 060	14 890	9 790	10 670	7 220			10 070	6 850	7.8 m		
-10 ft lb	*39,510	*39,510	*54,150	*54,150	*46,180	32,410	32,040	21,130	23,020	15,600			22,350	15,190	25.5 ft			
-4.5 m kg			*24 740	*24 740	*18 290	15 400	*13 720	10 040					*12 050	8 890	6.6 m			
-15 ft lb			*53,320	*53,320	*39,340	33,170	*29,220	21,710					*26,590	19,950	21.3 ft			
Boom : 6.45m (21'2") Arm : 3.9m (12'10") Shoe : 900mm (36") CWT : 6 200kg (13,670lb)	9 m kg													*6 930	*6 930	7.3 m		
	30 ft lb													*15,430	*15,430	23.3 ft		
	7.5 m kg									*8 240	*8 240			*6 480	*6 480	8.4 m		
	25 ft lb									*18,250	18,150			*14,330	*14,330	27.4 ft		
	6 m kg									*8 610	8 330	*7 710	6 120	*6 330	5 840	9.2 m		
	20 ft lb									*18,870	17,920	*14,690	13,120	*13,960	12,990	30.2 ft		
	4.5 m kg									*10 490	*10 490	*9 490	8 070	8 640	6 020	*6 380	5 260	9.7 m
	15 ft lb									*22,750	*22,750	*20,690	17,380	18,590	12,930	*14,060	11,650	31.9 ft
	3 m kg					*16 610	*16 610	*12 610	10 810	*10 640	7 740	8 470	5 850	*6 630	4 950	10.0 m		
	10 ft lb					*35,710	*35,710	*27,280	23,320	*23,140	16,690	18,220	12,590	*14,570	10,930	32.7 ft		
	1.5 m kg					*20 290	15 570	*14 630	10 240	10 910	7 430	8 280	5 680	*7 060	4 840	10.0 m		
	5 ft lb					*43,770	33,560	*31,670	22,080	23,500	16,010	17,840	12,230	*15,550	10,670	32.8 ft		
	0 m kg					*22 310	14 940	14 950	9 830	10 640	7 180	8 130	5 540	*7 210	4 920	9.8 m		
	0 ft lb					*48,290	32,170	32,150	21,190	22,920	15,480	17,530	11,950	*15,890	10,850	32.1 ft		
	-1.5 m kg	*9 550	*9 550	*14 260	*14 260	*22 790	14 720	14 710	9 620	10 480	7 040	8 070	5 480	*7 680	5 230	9.3 m		
-5 ft lb	*21,320	*21,320	*32,220	*32,220	*49,410	31,660	31,630	20,730	22,580	15,180	17,400	11,830	16,970	11,540	30.6 ft			
-3 m kg	*14 870	*14 870	*20 600	*20 600	*22 020	14 750	14 670	9 580	10 470	7 020			8 670	5 880	8.6 m			
-10 ft lb	*33,290	*33,290	*46,610	*46,610	*47,720	31,730	31,560	20,670	22,570	15,160			19,220	13,040	28.0 ft			
-4.5 m kg	*21 230	*21 230	*27 870	*27 870	*19 860	15 000	14 840	9 730					10 740	7 250	7.5 m			
-15 ft lb	*47,770	*47,770	*60,150	*60,150	*42,830	32,290	31,950	21,020					24,020	16,200	24.3 ft			
-6 m kg			*21 090	*21 090	*15 340	*15 340							*11 490	10 810	5.7 m			
-20 ft lb			*44,720	*44,720	*32,370	*32,370							*25,300	20,790	18.4 ft			

Notes: 1. Machine in "Fine Mode-F" (Power Boost) for lifting capacities. 2. The above loads are in compliance with SAE J1097 and ISO 10567 Hydraulic Excavator Lifting Capacity Standards. 3. Rated loads do not exceed 87% of hydraulic lifting capacity or 75% of tipping load. 4. Rated loads marked with an asterisk (*) are limited by hydraulic capacity rather than tipping load.

LIFTING CAPACITY EC350E

Lifting capacity at the arm end without bucket.

For lifting capacity including bucket, simply subtract actual weight of the direct fit bucket or the bucket with quick coupler from the following values.

	Lifting hook related to ground level	1.5m, 5 ft		3.0m, 10 ft		4.5m, 15 ft		6.0m, 20 ft		7.5m, 25 ft		9.0m, 30 ft		Max. Reach							
		Along UC	Across UC	Along UC	Across UC	Along UC	Across UC	Along UC	Across UC	Along UC	Across UC	Along UC	Across UC	Along UC	Across UC	max.					
Boom : 6.2m (20'4") Arm : 2.6m (8'6") Shoe : 900mm (36") CWT : 6 700kg (14,770lb)	7.5 m	kg							*10 700	*10 700					*10 880	9 990	6.7 m				
	25 ft	lb							*23,670	*23,670					*24,040	22,600	21.7 ft				
	6 m	kg							*11 230	*11 230	*10 740	8 250			*10 770	7 920	7.7 m				
	20 ft	lb							*24,500	*24,500	*23,740	17,700			*23,750	17,660	25.0 ft				
	4.5 m	kg							*15 870	*15 870	*12 680	11 390	*11 200	8 080		9 950	6 900	8.3 m			
	15 ft	lb							*34,100	*34,100	*27,490	24,580	*24,470	17,410		22,050	15,290	27.1 ft			
	3 m	kg							*19 790	16 480	*14 480	10 840	11 400	7 830		9 280	6 400	8.6 m			
	10 ft	lb							*42,540	35,570	*31,340	23,390	24,550	16,870		20,490	14,140	28.1 ft			
	1.5 m	kg							*22 290	15 660	15 640	10 380	11 140	7 590		9 120	6 260	8.6 m			
	5 ft	lb							*48,160	33,750	33,660	22,390	23,990	16,360		20,100	13,800	28.2 ft			
	0 m	kg							*22 820	15 390	15 350	10 120	10 970	7 430		9 440	6 450	8.3 m			
	0 ft	lb							*49,500	33,120	33,010	21,820	23,640	16,040		20,810	14,220	27.3 ft			
	-1.5 m	kg							*22 000	15 410	15 280	10 050	10 960	7 420		10 400	7 080	7.8 m			
	-5 ft	lb							*40,560	*40,560	*47,770	33,150	32,860	21,680		22,990	15,640	25.5 ft			
	-3 m	kg							*26 470	*26 470	*19 840	15 640	*15 040	10 200		*12 530	8 510	6.9 m			
	-10 ft	lb							*57,500	*57,500	*42,950	33,660	*32,380	22,020		*27,640	18,920	22.4 ft			
	-4.5 m	kg									*15 280	*15 280				*12 270	*12 270	5.4 m			
-15 ft	lb									*32,470	*32,470				*26,940	*26,940	17.4 ft				
Boom : 6.45m (21'2") Arm : 2.6m (8'6") Shoe : 900mm (36") CWT : 6 700kg (14,770lb)	7.5 m	kg							*10 330	*10 330					*10 490	9 310	7.0 m				
	25 ft	lb							*22,780	*22,780					*23,170	21,000	22.7 ft				
	6 m	kg							*11 090	*11 090	*10 430	8 300			*10 440	7 520	8.0 m				
	20 ft	lb							*24,150	*24,150	*22,950	17,850			*23,020	16,760	25.9 ft				
	4.5 m	kg							*16 200	*16 200	*12 670	11 360	*11 060	8 110		9 510	6 620	8.5 m			
	15 ft	lb							*34,740	*34,740	*27,440	24,510	*24,110	17,470		21,050	14,660	27.9 ft			
	3 m	kg								*14 550	10 810	11 400	7 840			8 900	6 170	8.8 m			
	10 ft	lb								*31,460	23,330	24,550	16,920			19,660	13,630	28.9 ft			
	1.5 m	kg								15 600	10 370	11 140	7 610			8 760	6 040	8.8 m			
	5 ft	lb								33,580	22,390	24,000	16,420			19,310	13,330	29.0 ft			
	0 m	kg								*21 890	15 420	15 330	10 130	10 970	7 460		9 050	6 220	8.6 m		
	0 ft	lb								*49,710	33,170	32,980	21,860	23,650	16,100		19,950	13,710	28.2 ft		
	-1.5 m	kg								*14 940	*14 940	15 460	15 270	10 080	10 940	7 430		9 910	6 780	8.1 m	
	-5 ft	lb								*34,100	*34,100	*47,970	33,260	32,850	21,740	23,600	16,060		21,890	14,970	26.4 ft
	-3 m	kg								*26 570	*26 570	*20 130	15 680	15 410	10 210			11 820	8 030	7.2 m	
	-10 ft	lb								*57,790	*57,790	*43,610	33,740	33,180	22,030			26,260	17,830	23.4 ft	
	-4.5 m	kg									*21 150	*21 150	*16 220	16 140				*12 240	11 140	5.8 m	
-15 ft	lb									*45,470	*45,470	*34,700	*34,700				*26,920	25,150	18.7 ft		
Boom : 6.45m (21'2") Arm : 3.2m (10'6") Shoe : 900mm (36") CWT : 6 700kg (14,770lb)	7.5 m	kg													*9 400	8 550	7.7 m				
	25 ft	lb														*20,720	18,850	24.9 ft			
	6 m	kg														*9 630	8 480	8.5 m			
	20 ft	lb														*21,140	18,260	27.9 ft			
	4.5 m	kg																			
	15 ft	lb																			
	3 m	kg																			
	10 ft	lb																			
	1.5 m	kg																			
	5 ft	lb																			
	0 m	kg																			
	0 ft	lb																			
	-1.5 m	kg																			
	-5 ft	lb																			
	-3 m	kg																			
	-10 ft	lb																			
	-4.5 m	kg																			
-15 ft	lb																				
Boom : 6.45m (21'2") Arm : 3.9m (12'10") Shoe : 900mm (36") CWT : 6 700kg (14,770lb)	9 m	kg																			
	30 ft	lb																			
	7.5 m	kg																			
	25 ft	lb																			
	6 m	kg																			
	20 ft	lb																			
	4.5 m	kg																			
	15 ft	lb																			
	3 m	kg																			
	10 ft	lb																			
	1.5 m	kg																			
	5 ft	lb																			
	0 m	kg																			
	0 ft	lb																			
	-1.5 m	kg																			
	-5 ft	lb																			
	-3 m	kg																			
-10 ft	lb																				
-4.5 m	kg																				
-15 ft	lb																				

Notes: 1. Machine in "Fine Mode-F" (Power Boost) for lifting capacities. 2. The above loads are in compliance with SAE J1097 and ISO 10567 Hydraulic Excavator Lifting Capacity Standards. 3. Rated loads do not exceed 87% of hydraulic lifting capacity or 75% of tipping load. 4. Rated loads marked with an asterisk (*) are limited by hydraulic capacity rather than tipping load.

Specifications

LIFTING CAPACITY EC380ELC

Lifting capacity at the arm end without bucket.

For lifting capacity including bucket, simply subtract actual weight of the direct fit bucket or the bucket with quick coupler from the following values.

	Lifting hook related to ground level	1.5m, 5 ft		3.0m, 10 ft		4.5m, 15 ft		6.0m, 20 ft		7.5m, 25 ft		9.0m, 30 ft		Max. Reach		
		Along UC	Across UC	Along UC	Across UC	Along UC	Across UC	Along UC	Across UC	Along UC	Across UC	Along UC	Across UC	Along UC	Across UC	max.
Boom : 6.45m (21'2") Arm : 2.6m (8'6") Shoe : 800mm (32") CWT : 6 200kg (13,670lb)	7.5 m kg							*10 280	*10 280					*10 420	9 350	7.0 m
	25 ft lb							*22,670	*22,670					*23,030	21,080	22.7 ft
	6 m kg							*11 020	*11 020	*10 360	8 320			*10 360	7 530	8.0 m
	20 ft lb							*24,000	*24,000	*22,790	17,870			*22,840	16,780	25.9 ft
	4.5 m kg					*16 080	*16 080	*12 580	11 380	*10 970	8 110			*10 230	6 610	8.5 m
	15 ft lb					*34,490	*34,490	*27,240	24,560	*23,930	17,480			22,650	14,640	27.9 ft
	3 m kg							*14 430	10 800	*11 870	7 830			9 570	6 150	8.8 m
	10 ft lb							*31,200	23,330	*25,810	16,900			21,140	13,580	28.9 ft
	1.5 m kg							*15 940	10 340	12 010	7 580			9 410	6 010	8.8 m
	5 ft lb							*34,500	22,320	25,870	16,360			20,760	13,260	29.0 ft
	0 m kg					*21 850	15 340	16 650	10 090	11 830	7 420			9 730	6 180	8.6 m
	0 ft lb					*49,270	33,000	35,800	21,760	25,490	16,020			21,450	13,630	28.2 ft
	-1.5 m kg			*14 880	*14 880	*21 890	15 380	*16 550	10 030	11 800	7 390			10 660	6 740	8.1 m
	-5 ft lb			*33,980	*33,980	*47,540	33,090	*35,550	21,630	25,440	15,970			23,540	14,890	26.4 ft
	-3 m kg			*26 310	*26 310	*19 940	15 610	*15 270	10 160					*12 160	7 980	7.2 m
	-10 ft lb			*57,220	*57,220	*43,210	33,580	*32,970	21,920					*26,830	17,730	23.5 ft
-4.5 m kg			*20 930	*20 930	*16 070	*16 070							*12 110	11 090	5.8 m	
-15 ft lb			*45,000	*45,000	*34,370	*34,370							*26,620	25,020	18.8 ft	
Boom : 6.45m (21'2") Arm : 3.2m (10'6") Shoe : 800mm (32") CWT : 6 200kg (13,670lb)	7.5 m kg									*9 370	8 530			*8 200	*8 200	7.7 m
	25 ft lb									*20,660	18,800			*18,150	*18,150	24.9 ft
	6 m kg									*9 500	8 460			*7 980	6 800	8.5 m
	20 ft lb									*20,840	18,200			*17,600	15,130	27.8 ft
	4.5 m kg					*14 350	*14 350	*11 610	11 580	*10 260	8 220	*8 790	6 120	*8 060	6 040	9.1 m
	15 ft lb					*30,820	*30,820	*25,170	24,990	*22,370	17,700	*19,380	13,490	*17,750	13,380	29.7 ft
	3 m kg					*18 440	16 750	*13 580	10 970	*11 290	7 910	9 310	5 990	*8 390	5 650	9.3 m
	10 ft lb					*39,640	36,160	*29,380	23,670	*24,530	17,050	20,040	12,900	*18,470	12,480	30.6 ft
	1.5 m kg					*21 460	15 750	*15 330	10 430	12 060	7 610	9 160	5 850	8 640	5 520	9.4 m
	5 ft lb					*46,320	33,950	*33,180	22,520	25,960	16,430	19,720	12,610	19,050	12,180	30.7 ft
	0 m kg					*22 610	15 330	*16 410	10 100	11 820	7 410	9 050	5 750	8 870	5 640	9.1 m
	0 ft lb					*48,990	32,990	*35,560	21,780	25,460	15,980			19,560	12,450	29.9 ft
	-1.5 m kg			*15 110	*15 110	*22 370	15 250	16 510	9 960	11 720	7 320			9 580	6 070	8.6 m
	-5 ft lb			*34,210	*34,210	*48,540	32,810	35,500	21,480	25,250	15,790			21,170	13,410	28.3 ft
	-3 m kg	*17 590	*17 590	*23 840	*23 840	*20 970	15 400	*15 880	10 010	11 800	7 380			11 120	7 000	7.8 m
	-10 ft lb	*39,430	*39,430	*54,050	*54,050	*45,430	33,130	*34,340	21,600	25,450	15,970			24,680	15,530	25.6 ft
-4.5 m kg			*24 300	*24 300	*17 980	15 770	*13 490	10 290					*11 830	9 100	6.6 m	
-15 ft lb			*52,380	*52,380	*38,670	33,970	*28,730	22,240					*26,100	20,420	21.3 ft	
Boom : 6.45m (21'2") Arm : 3.9m (12'10") Shoe : 800mm (32") CWT : 6 200kg (13,670lb)	9m kg															
	30 ft lb															
	7.5 m kg									*8 160	*8 160			*15,410	*15,410	23.3 ft
	25 ft lb									*18,070	*18,070			*14,300	*14,300	27.4 ft
	6 m kg									*8 510	*8 510	*7 680	6 320	*6 310	6 030	9.2 m
	20 ft lb									*18,670	18,530	*14,610	13,540	*13,930	13,410	30.2 ft
	4.5 m kg							*10 380	*10 380	*9 380	8 340	*8 850	6 210	*6 370	5 420	9.7 m
	15 ft lb							*22,510	*22,510	*20,450	17,960	*19,410	13,340	*14,030	12,010	31.9 ft
	3 m kg					*16 410	*16 410	*12 460	11 170	*10 510	7 990	9 370	6 030	*6 600	5 100	10.0 m
	10 ft lb					*35,300	*35,300	*26,960	24,090	*22,850	17,230	20,150	12,980	*14,530	11,250	32.7 ft
	1.5 m kg					*20 040	16 040	*14 440	10 550	*11 650	7 650	9 160	5 850	*7 040	4 980	10.0 m
	5 ft lb					*43,230	34,580	*31,270	22,760	*25,310	16,500	19,730	12,600	*15,500	10,980	32.8 ft
	0 m kg			*9 320	*9 320	*22 030	15 360	*15 870	10 110	11 810	7 390	9 000	5 700	*7 760	5 060	9.8 m
	0 ft lb			*21,210	*21,210	*47,680	33,080	*34,390	21,800	25,430	15,930	19,400	12,290	*17,100	11,150	32.1 ft
	-1.5 m kg	*9 510	*9 510	*14 220	*14 220	*22 500	15 120	16 440	9 880	11 640	7 230	8 930	5 630	8 500	5 370	9.3 m
	-5 ft lb	*21,230	*21,230	*32,130	*32,130	*48,790	32,530	35,330	21,310	25,070	15,600	19,250	12,160	18,760	11,860	30.6 ft
-3 m kg	*14 830	*14 830	*20 550	*20 550	*21 740	15 150	*16 250	9 850	11 620	7 220			9 600	6 050	8.6 m	
-10 ft lb	*33,200	*33,200	*46,500	*46,500	*47,110	32,600	*35,180	21,240	25,050	15,580			21,270	13,400	28.1 ft	
-4.5 m kg	*21 190	*21 190	*27 500	*27 500	*19 600	15 420	*14 770	10 010					*11 110	7 450	7.5 m	
-15 ft lb	*47,670	*47,670	*59,360	*59,360	*42,270	33,190	*31,750	21,600					*24,540	16,640	24.3 ft	
-6 m kg			*20 790	*20 790	*15 130	*15 130							*11 300	11 100	5.8 m	
-20 ft lb			*44,070	*44,070	*31,910	*31,910							*24,880	*24,880	18.4 ft	
Boom : 6.2m (20'4") Arm : 2.6m (8'6") Shoe : 800mm (32") CWT : 6 700kg (14,770lb)	7.5 m kg							*10 700	*10 700					*10 870	10 370	6.7 m
	25 ft lb							*23,660	*23,660					*24,030	23,440	21.6 ft
	6 m kg							*11 220	*11 220	*10 740	8 560			*10 760	8 230	7.7 m
	20 ft lb							*24,490	*24,490	*23,730	18,380			*23,740	18,350	25.0 ft
	4.5 m kg					*15 850	*15 850	*12 670	11 820	*11 200	8 400			*10 870	7 180	8.3 m
	15 ft lb					*34,060	*34,060	*27,470	25,490	*24,460	18,090			*23,960	15,910	27.1 ft
	3 m kg					*19 770	17 110	*14 470	11 260	*12 030	8 140			*10 310	6 670	8.6 m
	10 ft lb					*42,490	36,940	*31,310	24,310	*26,180	17,560			22,780	14,730	28.1 ft
	1.5 m kg					*22 280	16 290	*15 980	10 800	12 420	7 900			*10 150	6 530	8.6 m
	5 ft lb					*48,130	35,110	*34,620	23,310	26,740	17,050			22,370	14,390	28.2 ft
	0 m kg					*22 820	16 020	*16 750	10 540	12 250	7 750			*10 510	6 730	8.3 m
	0 ft lb					*49,480	34,470	*36,320	22,730	26,380	16,730			23,180	14,830	27.3 ft
	-1.5 m kg			*17 770	*17 770	*22 010	16 040	*16 560	10 480	12 230	7 740			11 600	7 370	7.8 m
	-5 ft lb			*40,440	*40,440	*47,770	34,500	*35,890	22,600	26,380	16,720			25,630	16,300	25.5 ft
	-3 m kg			*26 490	*26 490	*19 850	16 270	*15 050	10 620					*12 530	8 860	6.9 m
	-10 ft lb			*57,540	*57,540	*42,980	35,020	*32,410	22,930					*27,640	19,690	22.4 ft
-4.5 m kg					*15 320	*15 320							*12 280	*12 280	5.4 m	
-15 ft lb					*32,540	*32,540							*26,950	*26,950	17.5 ft	

Notes: 1. Machine in "Fine Mode-F" (Power Boost) for lifting capacities. 2. The above loads are in compliance with SAE J1097 and ISO 10567 Hydraulic Excavator Lifting Capacity Standards. 3. Rated loads do not exceed 87% of hydraulic lifting capacity or 75% of tipping load. 4. Rated loads marked with an asterisk (*) are limited by hydraulic capacity rather than tipping load.

LIFTING CAPACITY EC380ELC

Lifting capacity at the arm end without bucket.

For lifting capacity including bucket, simply subtract actual weight of the direct fit bucket or the bucket with quick coupler from the following values.

	Lifting hook related to ground level	1.5m, 5 ft		3.0m, 10 ft		4.5m, 15 ft		6.0m, 20 ft		7.5m, 25 ft		9.0m, 30 ft		Max. Reach			
		Along UC	Across UC	Along UC	Across UC	Along UC	Across UC	Along UC	Across UC	Along UC	Across UC	Along UC	Across UC	Along UC	Across UC	max.	
Boom : 6.45m (21'2") Arm : 2.6m (8'6") Shoe : 800mm (32") CWT : 6 700kg (14,770lb)	7.5 m kg													*10 420	9 660	7.0 m	
	25 ft lb							*22,670	*22,670					*23,030	21,790	22.7 ft	
	6 m kg							*11 020	*11 020	*10 360	8 600			*10 360	7 800	8.0 m	
	20 ft lb							*24,000	*24,000	*22,790	18,500			*22,840	17,370	25.9 ft	
	4.5 m kg					*16 080	*16 080	*12 580	11 770	*10 970	8 400			*10 480	6 850	8.5 m	
	15 ft lb					*34,490	*34,490	*27,240	25,390	*23,930	18,100			*23,100	15,190	27.9 ft	
	3 m kg							*14 430	11 190	*11 870	8 120			9 870	6 390	8.8 m	
	10 ft lb							*31,200	24,160	*25,810	17,520			*21,790	14,110	28.9 ft	
	1.5 m kg							*15 940	10 730	12 380	7 870			9 710	6 250	8.8 m	
	5 ft lb							*34,500	23,150	26,670	16,990			*21,410	13,790	29.0 ft	
	0 m kg					*21 850	15 910	*16 690	10 470	12 200	7 710			*10 030	6 430	8.6 m	
	0 ft lb					*49,270	34,240	*36,180	22,590	26,290	16,650			*22,120	14,170	28.2 ft	
	-1.5 m kg			*14 880	*14 880	*21 890	15 960	*16 550	10 410	12 170	7 680			*10 990	7 000	8.1 m	
	-5 ft lb			*33,980	*33,980	*47,540	34,320	*35,870	22,460	26,230	16,600			*24,280	15,470	26.4 ft	
	-3 m kg			*26 310	*26 310	*19 940	16 180	*15 270	10 540					*12 160	8 290	7.2 m	
	-10 ft lb			*57,220	*57,220	*43,210	34,820	*32,970	22,750					*26,830	18,410	23.5 ft	
-4.5 m kg			*20 930	*20 930	*16 070	11 070							*12 110	11 490	5.8 m		
-15 ft lb			*45,000	*45,000	*34,370	*34,370							*26,620	25,920	18.8 ft		
Boom : 6.45m (21'2") Arm : 3.2m (10'6") Shoe : 800mm (32") CWT : 6 700kg (14,770lb)	7.5 m kg									*9 370	8 820			*8 200	*8 200	7.7 m	
	25 ft lb									*20,660	19,440			*18,150	*18,150	24.9 ft	
	6 m kg									*9 500	8 750			*7 980	7 040	8.5 m	
	20 ft lb									*20,840	18,820			*17,600	15,680	27.8 ft	
	4.5 m kg					*14 350	*14 350	*11 610	*11 610	*10 260	8 500	*8 790	6 350	*8 060	6 270	9.1 m	
	15 ft lb					*30,820	*30,820	*25,170	*25,170	*22,370	18,330	*19,380	14,000	*17,750	13,890	29.7 ft	
	3 m kg					*18 440	17 330	*13 580	11 350	*11 290	8 190	*9 600	6 220	*8 390	5 870	9.3 m	
	10 ft lb					*39,640	37,400	*29,380	24,500	*24,530	17,670	20,660	13,400	*18,470	12,970	30.6 ft	
	1.5 m kg					*21 460	16 330	*15 330	10 820	*12 280	7 900	9 450	6 080	8 910	5 740	9.4 m	
	5 ft lb					*46,320	35,190	*33,180	23,350	*26,660	17,050	20,340	13,110	19,650	12,670	30.7 ft	
	0 m kg					*22 610	15 900	*16 410	10 480	12 190	7 690	9 340	5 980	9 150	5 870	9.1 m	
	0 ft lb					*48,990	34,230	*35,560	22,610	26,260	16,600			*20,190	12,950	29.9 ft	
	-1.5 m kg			*15 110	*15 110	*22 370	15 830	*16 640	10 350	12 090	7 610			9 890	6 310	8.6 m	
	-5 ft lb			*34,210	*34,210	*48,540	34,050	*36,080	22,310	26,050	16,420			*21,850	13,940	28.3 ft	
	-3 m kg	*17 590	*17 590	*23 840	*23 840	*20 970	15 970	*15 880	10 400	12 170	7 670			11,470	7 270	7.8 m	
	-10 ft lb	*39,430	*39,430	*54,050	*54,050	*45,430	34,370	*34,340	22,430	26,240	16,590			*25,430	16,140	25.6 ft	
-4.5 m kg			*24 300	*24 300	*17 980	16 340	*13 490	10 670					*11 830	9 440	6.6 m		
-15 ft lb			*52,380	*52,380	*38,670	35,200	*28,730	23,070					*26,100	21,180	21.3 ft		
Boom : 6.45m (21'2") Arm : 3.9m (12'10") Shoe : 800mm (32") CWT : 6 700kg (14,770lb)	9 m kg													*6 920	*6 920	7.2 m	
	30 ft lb														*15,410	*15,410	23.3 ft
	7.5 m kg									*8 160	*8 160				*6 470	*6 470	8.4 m
	25 ft lb									*18,070	*18,070				*14,300	*14,300	27.4 ft
	6 m kg									*8 510	*8 510	*7 680	6 550	*6 310	6 260	9.2 m	
	20 ft lb									*18,670	*18,670	*14,610	14,040	*13,930	13,910	30.2 ft	
	4.5 m kg							*10 380	*10 380	*9 380	8 630	*8 850	6 440	*6 370	5 630	9.7 m	
	15 ft lb							*22,510	*22,510	*20,450	18,590	*19,410	13,850	*14,030	12,480	31.9 ft	
	3 m kg					*16 410	*16 410	*12 460	11 550	*10 510	8 280	*9 430	6 260	*6 600	5 300	10.0 m	
	10 ft lb					*35,300	*35,300	*26,960	24,920	*22,850	17,850	*20,600	13,480	*14,530	11,710	32.7 ft	
	1.5 m kg					*20 040	16 620	*14 440	10 930	*11 650	7 940	9 450	6 080	*7 040	5 180	10.0 m	
	5 ft lb					*43,230	35,810	*31,270	23,590	*25,310	17,130	20,350	13,100	*15,500	11,430	32.8 ft	
	0 m kg			*9 320	*9 320	*22 030	15 940	*15 870	10 500	12 180	7 680	9 290	5 930	*7 760	5 270	9.8 m	
	0 ft lb			*21,210	*21,210	*47,680	34,310	*34,390	22,630	26,230	16,550	20,020	12,790	*17,100	11,610	32.1 ft	
	-1.5 m kg	*9 510	*9 510	*14 220	*14 220	*22 500	15 700	*16 510	10 270	12 010	7 520	9 220	5 860	8 770	5 590	9.3 m	
	-5 ft lb	*21,230	*21,230	*32,130	*32,130	*48,790	33,770	*35,800	22,140	25,870	16,230	19,880	12,660	19,370	12,350	30.6 ft	
-3 m kg	*14 830	*14 830	*20 550	*20 550	*21 740	15 730	*16 250	10 230	11 990	7 510			9 900	6 290	8.6 m		
-10 ft lb	*33,200	*33,200	*46,500	*46,500	*47,110	33,840	*35,180	22,070	25,840	16,210			21,950	13,940	28.1 ft		
-4.5 m kg	*21 190	*21 190	*27 500	*27 500	*19 600	15 990	*14 770	10 390					*11 110	7 740	7.5 m		
-15 ft lb	*47,670	*47,670	*59,360	*59,360	*42,270	34,430	*31,750	22,440					*24,540	17,290	24.3 ft		
-6 m kg			*20 790	*20 790	*15 130	11 130							*11 300	*11 300	5.8 m		
-20 ft lb			*44,070	*44,070	*31,910	*31,910							*24,880	*24,880	18.4 ft		
Boom : 6.2m (20'4") Arm : 2.6m (8'6") Shoe : 800mm (32") CWT : 7 250kg (15,980lb)	7.5 m kg							*10 700	*10 700					*10 870	10 670	6.7 m	
	25 ft lb							*23,660	*23,660					*24,030	*24,030	21.6 ft	
	6 m kg							*11 220	*11 220	*10 740	8 830			*10 760	8 480	7.7 m	
	20 ft lb							*24,490	*24,490	*23,730	18,950			*23,740	18,920	25.0 ft	
	4.5 m kg					*15 850	*15 850	*12 670	12 170	*11 200	8 660			*10 870	7 410	8.3 m	
	15 ft lb					*34,060	*34,060	*27,470	26,250	*24,460	18,660			*23,960	16,430	27.1 ft	
	3 m kg					*19 770	17 640	*14 470	11 610	*12 030	8 410			*10 600	6 890	8.6 m	
	10 ft lb					*42,490	38,070	*31,310	25,060	*26,180	18,130			*23,410	15,230	28.1 ft	
	1.5 m kg					*22 280	16 810	*15 980	11 150	12 760	8 170			*10 430	6 750	8.6 m	
	5 ft lb					*48,130	36,240	*34,620	24,060	27,490	17,620			*23,000	14,880	28.2 ft	
	0 m kg					*22 820	16 540	*16 750	10 890	12 590	8 010			*10 810	6 960	8.3 m	
	0 ft lb					*49,480	35,600	*36,320	23,490	27,130	17,300			*23,840	15,340	27.3 ft	
	-1.5 m kg			*17 770	*17 770	*22 010	16 560	*16 560	10 830	12 580	8 000			*11 930	7 630	7.8 m	
	-5 ft lb			*40,440	*40,440	*47,770	35,630	*35,890	23,350	27,120	17,290			*26,350	16,850	25.5 ft	
	-3 m kg			*26 490	*26 490	*19 850	16 800	*15 050	10 970					*12 530	9 150	6.9 m	
	-10 ft lb			*57,540	*57,540	*42,980	36,150	*32,410	23,690					*27,640	20,340	22.4 ft	
-4.5 m kg					*15 320								*12 280	*12 280	5.4 m		
-15 ft lb					*32,540	*32,540							*26,950	*26,950	17.5 ft		

Notes: 1. Machine in "Fine Mode-F" (Power Boost) for lifting capacities. 2. The above loads are in compliance with SAE J1097 and ISO 10567 Hydraulic Excavator Lifting Capacity Standards. 3. Rated loads do not exceed 87% of hydraulic lifting capacity or 75% of tipping load. 4. Rated loads marked with an asterisk (*) are limited by hydraulic capacity rather than tipping load.

Specifications

LIFTING CAPACITY EC380ELC

Lifting capacity at the arm end without bucket.

For lifting capacity including bucket, simply subtract actual weight of the direct fit bucket or the bucket with quick coupler from the following values.

	Lifting hook related to ground level	1.5m, 5 ft		3.0m, 10 ft		4.5m, 15 ft		6.0m, 20 ft		7.5m, 25 ft		9.0m, 30 ft		Max. Reach		
		Along UC	Across UC	Along UC	Across UC	Along UC	Across UC	Along UC	Across UC	Along UC	Across UC	Along UC	Across UC	Along UC	Across UC	max.
Boom : 6.45m (21'2") Arm : 2.6m (8'6") Shoe : 800mm (32") CWT : 7 250kg (15,980lb)	7.5 m kg													*10 420	9 950	7.0 m
	25 ft lb							*22,670	*22,670					*23,030	22,430	22.7 ft
	6 m kg							*11 020	*11 020	*10 360	8 870			*10 360	8 040	8.0 m
	20 ft lb							*24,000	*24,000	*22,790	19,070			*22,840	17,920	25.9 ft
	4.5 m kg					*16 080	*16 080	*12 580	12 120	*10 970	8 660			*10 480	7 080	8.5 m
	15 ft lb					*34,490	*34,490	*27,240	26,150	*23,930	18,670			*23,100	15,680	27.9 ft
	3 m kg							*14 430	11 540	*11 870	8 390			*10 150	6 600	8.8 m
	10 ft lb							*31,200	24,910	*25,810	18,090			*22,400	14,580	28.9 ft
	1.5 m kg							*15 940	11 080	*12 710	8 140			*9 990	6 470	8.8 m
	5 ft lb							*34,500	23,910	*27,410	17,560			*22,020	14,260	29.0 ft
	0 m kg					*21 850	16 440	*16 690	12 550	*12 550	7 980			*10 320	6 650	8.6 m
	0 ft lb					*49,270	35,370	*36,180	23,350	*27,030	17,220			*22,750	14,670	28.2 ft
	-1.5 m kg			*14 880	*14 880	*21 890	16 480	*16 550	10 760	*12 510	7 950			*11 300	7 240	8.1 m
	-5 ft lb			*33,980	*33,980	*47,540	35,450	*35,450	23,220	*26,980	17,170			*24,970	16,000	26.4 ft
	-3 m kg			*26 310	*26 310	*19 940	16 710	*15 270	10 890					*12 160	8 560	7.2 m
	-10 ft lb			*57,220	*57,220	*43,210	35,950	*32,970	23,510					*26,830	19,020	23.5 ft
	-4.5 m kg			*20 930	*20 930	*16 070	11 070							*12 110	11 860	5.8 m
	-15 ft lb			*45,000	*45,000	*34,370	*34,370							*26,620	*26,620	18.8 ft
Boom : 6.45m (21'2") Arm : 3.2m (10'6") Shoe : 800mm (32") CWT : 7 250kg (15,980lb)	7.5 m kg									*9 370	9 080			*8 200	*8 200	7.7 m
	25 ft lb									*20,660	20,020			*18,150	*18,150	24.9 ft
	6 m kg									*9 500	9 010			*7 980	7 270	8.5 m
	20 ft lb									*20,840	19,390			*17,600	16,180	27.8 ft
	4.5 m kg					*14 350	*14 350	*11 610	*11 610	*10 260	8 770	*8 790	6 560	*8 060	6 480	9.1 m
	15 ft lb					*30,820	*30,820	*25,170	*25,170	*22,370	18,900	*19,380	14,460	*17,750	14,350	29.7 ft
	3 m kg					*18 440	17 850	*13 580	11 700	*11 290	8 460	*9 870	6 430	*8 390	6 070	9.3 m
	10 ft lb					*39,640	38,530	*29,380	25,260	*24,530	18,240	*21,240	13,850	*18,470	13,410	30.6 ft
	1.5 m kg					*21 460	16 850	*15 330	11 170	*12 280	8 170	*9 710	6 290	*9 030	5 950	9.4 m
	5 ft lb					*46,320	36,320	*33,180	24,100	*26,660	17,620	*20,930	13,560	*19,860	13,110	30.7 ft
	0 m kg					*22 610	16 430	*16 410	10 830	*12 540	7 960	*9 610	6 190	*9 420	6 080	9.1 m
	0 ft lb					*48,990	35,360	*35,560	23,360	*27,000	17,170			*20,770	13,400	29.9 ft
	-1.5 m kg			*15 110	*15 110	*22 370	16 350	*16 640	10 700	*12 440	7 870			*10 170	6 530	8.6 m
	-5 ft lb			*34,210	*34,210	*48,540	35,180	*36,080	23,070	*26,790	16,990			*22,470	14,430	28.3 ft
	-3 m kg	*17 590	*17 590	*23 840	*23 840	*20 970	16 500	*15 880	10 750	*12 270	7 930			*11 520	7 520	7.8 m
	-10 ft lb	*39,430	*39,430	*54,050	*54,050	*45,430	35,500	*34,340	23,190	*26,330	17,160			*25,430	16,690	25.6 ft
	-4.5 m kg			*24 300	*24 300	*17 980	16 870	*13 490	11 020					*11 830	9 750	6.6 m
	-15 ft lb			*52,380	*52,380	*38,670	36,330	*28,730	23,830					*26,100	21,880	21.3 ft
Boom : 6.45m (21'2") Arm : 3.9m (12'10") Shoe : 800mm (32") CWT : 7 250kg (15,980lb)	9 m kg													*6 920	*6 920	7.2 m
	30 ft lb													*15,410	*15,410	23.3 ft
	7.5 m kg									*8 160	*8 160			*6 470	*6 470	8.4 m
	25 ft lb									*18,070	*18,070			*14,300	*14,300	27.4 ft
	6 m kg									*8 510	*8 510	*7 680	6 760	*6 310	*6 310	9.2 m
	20 ft lb									*18,670	*18,670	*14,610	14,500	*13,930	*13,930	30.2 ft
	4.5 m kg							*10 380	*10 380	*9 380	8 890	*8 850	6 650	*6 370	5 830	9.7 m
	15 ft lb							*22,510	*22,510	*20,450	19,160	*19,410	14,300	*14,030	12,900	31.9 ft
	3 m kg					*16 410	*16 410	*12 460	11 900	*10 510	8 540	*9 430	6 470	*6 600	5 490	10.0 m
	10 ft lb					*35,300	*35,300	*26,960	25,680	*22,850	18,420	*20,600	13,940	*14,530	12,120	32.7 ft
	1.5 m kg					*20 040	17 140	*14 440	11 290	*11 650	8 200	*9 720	6 290	*7 040	5 370	10.0 m
	5 ft lb					*43,230	36,940	*31,270	24,350	*25,310	17,700	*20,940	13,550	*15,500	11,840	32.8 ft
	0 m kg			*9 320	*9 320	*22 030	16 460	*15 870	10 850	*12 530	7 940	*9 560	6 140	*7 760	5 460	9.8 m
	0 ft lb			*21,210	*21,210	*47,680	35,440	*34,390	23,390	*26,970	17,120	*20,600	13,250	*17,100	12,040	32.1 ft
	-1.5 m kg	*9 510	*9 510	*14 220	*14 220	*22 500	16 220	*16 510	10 620	*12 360	7 790	*9 490	6 070	*8 930	5 800	9.3 m
	-5 ft lb	*21,230	*21,230	*32,130	*32,130	*48,790	34,900	*35,800	22,890	*26,610	16,800	*20,460	13,120	*19,720	12,800	30.6 ft
	-3 m kg	*14 830	*14 830	*20 550	*20 550	*21 740	16 250	*16 250	10 580	*12 340	7 770			*10 190	6 510	8.6 m
	-10 ft lb	*33,200	*33,200	*46,500	*46,500	*47,110	34,970	*35,180	22,820	*26,590	16,780			*22,590	14,440	28.1 ft
-4.5 m kg	*21 190	*21 190	*27 500	*27 500	*19 600	16 510	*14 770	10 740					*11 110	8 000	7.5 m	
-15 ft lb	*47,670	*47,670	*59,360	*59,360	*42,270	35,560	*31,750	23,190					*24,540	17,880	24.3 ft	
-6 m kg			*20 790	*20 790	*15 130	11 130							*11 300	*11 300	5.8 m	
-20 ft lb			*44,070	*44,070	*31,910	*31,910							*24,880	*24,880	18.4 ft	
Boom : 6.2m (20'4") Arm : 2.6m (8'6") Shoe : 900mm (36") CWT : 6 700kg (14,770lb)	7.5 m kg							*10 700	*10 700					*10 870	10 460	6.7 m
	25 ft lb							*23,660	*23,660					*24,030	23,650	21.6 ft
	6 m kg							*11 220	*11 220	*10 740	8 640			*10 760	8 310	7.7 m
	20 ft lb							*24,490	*24,490	*23,730	18,550			*23,740	18,530	25.0 ft
	4.5 m kg					*15 850	*15 850	*12 670	11 930	*11 200	8 480			*10 870	7 250	8.3 m
	15 ft lb					*34,060	*34,060	*27,470	25,730	*24,460	18,270			*23,960	16,070	27.1 ft
	3 m kg					*19 770	17 270	*14 470	11 370	*12 030	8 220			*10 420	6 740	8.6 m
	10 ft lb					*42,490	37,290	*31,310	24,540	*26,180	17,730			*23,020	14,880	28.1 ft
	1.5 m kg					*22 280	16 450	*15 980	10 910	*12 550	7 980			*10 250	6 590	8.6 m
	5 ft lb					*48,130	35,450	*34,620	23,540	*27,020	17,230			*22,610	14,540	28.2 ft
	0 m kg					*22 820	16 180	*16 750	10 650	*12 380	7 830			*10 620	6 800	8.3 m
	0 ft lb					*49,480	34,820	*36,320	22,960	*26,660	16,900			*23,430	14,990	27.3 ft
	-1.5 m kg			*17 770	*17 770	*22 010	16 200	*16 560	10 580	*12 360	7 820			*11 720	7 450	7.8 m
	-5 ft lb			*40,440	*40,440	*47,770	34,850	*35,890	22,830	*26,660	16,900			*25,900	16,470	25.5 ft
	-3 m kg			*26 490	*26 490	*19 850	16 430	*15 050	10 730					*12 530	8 950	6.9 m
	-10 ft lb			*57,540	*57,540	*42,980	35,370	*32,410	23,170					*27,640	19,890	22.4 ft
	-4.5 m kg					*15 320	11 320							*12 280	*12 280	5.4 m
	-15 ft lb					*32,540	*32,540							*26,950	*26,950	17.5 ft

Notes: 1. Machine in "Fine Mode-F" (Power Boost) for lifting capacities. 2. The above loads are in compliance with SAE J1097 and ISO 10567 Hydraulic Excavator Lifting Capacity Standards. 3. Rated loads do not exceed 87% of hydraulic lifting capacity or 75% of tipping load. 4. Rated loads marked with an asterisk (*) are limited by hydraulic capacity rather than tipping load.

LIFTING CAPACITY EC380ELC

Lifting capacity at the arm end without bucket.

For lifting capacity including bucket, simply subtract actual weight of the direct fit bucket or the bucket with quick coupler from the following values.

	Lifting hook related to ground level	1.5m, 5 ft		3.0m, 10 ft		4.5m, 15 ft		6.0m, 20 ft		7.5m, 25 ft		9.0m, 30 ft		Max. Reach				
		Along UC	Across UC	Along UC	Across UC	Along UC	Across UC	Along UC	Across UC	Along UC	Across UC	Along UC	Across UC	Along UC	Across UC	max.		
Boom : 6.45m (21'2") Arm : 2.6m (8'6") Shoe : 900mm (36") CWT : 6 700kg (14,770lb)	7.5 m kg															*10 420	9 750	7.0 m
	25 ft lb								*22,670	*22,670						*23,030	21,980	22.7 ft
	6 m kg								*11 020	*11 020	*10 360	8 690				*10 360	7 870	8.0 m
	20 ft lb								*24,000	*24,000	*22,790	18,670				*22,840	17,540	25.9 ft
	4.5 m kg					*16 080	*16 080		*12 580	*11 870	*10 970	8 480				*10 480	6 920	8.5 m
	15 ft lb					*34,490	*34,490		*27,240	*25,630	*23,930	18,280				*23,100	15,340	27.9 ft
	3 m kg								*14 430	*11 300	*11 870	8 200				9 970	6 450	8.8 m
	10 ft lb								*31,200	*24,390	*25,810	17,700				22,020	14,250	28.9 ft
	1.5 m kg								*15 940	*10 830	*12 510	7 950				9 820	6 320	8.8 m
	5 ft lb								*34,500	*23,380	*26,950	17,160				21,640	13,930	29.0 ft
	0 m kg						*21 850	16 070		*16 690	*10 580	12 330	7 790			10 140	6 500	8.6 m
	0 ft lb						*49,270	34,590		*36,180	*22,820	26,570	16,820			22,360	14,320	28.2 ft
	-1.5 m kg			*14 880	*14 880	*21 890	16 120		*16 550	10 520	12 300	7 760				11 110	7 080	8.1 m
	-5 ft lb			*33,980	*33,980	*47,540	34,670		*35,870	22,690	26,510	16,770				24,540	15,630	26.4 ft
	-3 m kg			*26 310	*26 310	*19 940	16 340		*15 270	10 650						*12 160	8 370	7.2 m
	-10 ft lb			*57,220	*57,220	*43,210	35,170		*32,970	22,990						*26,830	18,600	23.5 ft
	-4.5 m kg			*20 930	*20 930	*16 070	*16 070									*12 110	11 600	5.8 m
-15 ft lb			*45,000	*45,000	*34,370	*34,370									*26,620	26,180	18.8 ft	
Boom : 6.45m (21'2") Arm : 3.2m (10'6") Shoe : 900mm (36") CWT : 6 700kg (14,770lb)	7.5 m kg										*9 370	8 900				*8 200	*8 200	7.7 m
	25 ft lb										*20,660	19,620				*18,150	*18,150	24.9 ft
	6 m kg										*9 500	8 830				*7 980	7 110	8.5 m
	20 ft lb										*20,840	19,000				*17,600	15,840	27.8 ft
	4.5 m kg					*14 350	*14 350	*11 610	*11 610	*10 260	8 590	*8 790	6 420			*8 060	6 330	9.1 m
	15 ft lb					*30,820	*30,820	*25,170	*25,170	*22,370	18,500	*19,380	14,150			*17,750	14,030	29.7 ft
	3 m kg					*18 440	17 490	*13 580	*11 460	*11 290	8 280	*9 700	6 290			*8 390	5 930	9.3 m
	10 ft lb					*39,640	37,740	*29,380	24,740	*24,530	17,850	20,880	13,540			*18,470	13,110	30.6 ft
	1.5 m kg					*21 460	16 490	*15 330	*10 930	*12 280	7 980	9 550	6 150			9 010	5 810	9.4 m
	5 ft lb					*46,320	35,540	*33,180	23,580	*26,660	17,230	20,560	13,250			*19,860	12,800	30.7 ft
	0 m kg					*22 610	16 060	*16 410	*10 590	12 320	7 780	9 440	6 050			9 250	5 930	9.1 m
	0 ft lb					*48,990	34,580	*35,560	22,840	26,540	16,780					20,410	13,090	29.9 ft
	-1.5 m kg			*15 110	*15 110	*22 370	15 990		*16 640	10 450	12 220	7 690				10 000	6 380	8.6 m
	-5 ft lb			*34,210	*34,210	*48,540	34,400		*36,080	22,540	26,330	16,590				22,080	14,100	28.3 ft
	-3 m kg	*17 590	*17 590	*23 840	*23 840	*20 970	16 130		*15 880	10 500	*12 270	7 750				*11 520	7 350	7.8 m
	-10 ft lb	*39,430	*39,430	*54,050	*54,050	*45,430	34,720		*34,340	22,660	*26,330	16,770				*25,430	16,310	25.6 ft
	-4.5 m kg			*24 300	*24 300	*17 980	16 510		*13 490	10 780						*11 830	9 540	6.6 m
-15 ft lb			*52,380	*52,380	*38,670	35,550		*28,730	23,300						*26,100	21,400	21.3 ft	
Boom : 6.45m (21'2") Arm : 3.9m (12'10") Shoe : 900mm (36") CWT : 6 700kg (14,770lb)	9 m kg															*6 920	*6 920	7.2 m
	30 ft lb															*15,410	*15,410	23.3 ft
	7.5 m kg										*8 160	*8 160				*6 470	*6 470	8.4 m
	25 ft lb										*18,070	*18,070				*14,300	*14,300	27.4 ft
	6 m kg										*8 510	*8 510	*7 680	6 610		*6 310	*6 310	9.2 m
	20 ft lb										*18,670	*18,670	*14,610	14,180		*13,930	*13,930	30.2 ft
	4.5 m kg								*10 380	*10 380	*9 380	8 710	*8 850	6 500		*6 370	5 690	9.7 m
	15 ft lb								*22,510	*22,510	*20,450	18,760	*19,410	13,990		*14,030	12,610	31.9 ft
	3 m kg					*16 410	*16 410		*12 460	*11 660	*10 510	8 360	*9 430	6 330		*6 600	5 360	10.0 m
	10 ft lb					*35,300	*35,300	*26,960	25,160	*22,850	18,030	*20,600	13,620			*14,530	11,830	32.7 ft
	1.5 m kg					*20 040	16 780	*14 440	11 040	*11 650	8 020	9 550	6 140			*7 040	5 240	10.0 m
	5 ft lb					*43,230	36,160	*31,270	23,820	*25,310	17,300	20,570	13,240			*15,500	11,560	32.8 ft
	0 m kg			*9 320	*9 320	*22 030	16 100		*15 870	*10 600	12 310	7 760	9 390	6 000		*7 760	5 320	9.8 m
	0 ft lb			*21,210	*21,210	*47,680	34,660		*34,390	22,870	26,510	16,730	20,240	12,930		*17,100	11,740	32.1 ft
	-1.5 m kg	*9 510	*9 510	*14 220	*14 220	*22 500	15 860		*16 510	10 380	12 140	7 600	9 320	5 930		8 870	5 660	9.3 m
	-5 ft lb	*21,230	*21,230	*32,130	*32,130	*48,790	34,110		*35,800	22,370	26,150	16,400	20,100	12,800		19,580	12,490	30.6 ft
	-3 m kg	*14 830	*14 830	*20 550	*20 550	*21 740	15 890		*16 250	10 340	12 120	7 590				10 010	6 360	8.6 m
-10 ft lb	*33,200	*33,200	*46,500	*46,500	*47,110	34,190		*35,180	22,300	26,120	16,380				22,190	14,090	28.1 ft	
-4.5 m kg	*21 190	*21 190	*27 500	*27 500	*19 600	16 150		*14 770	10 500						*11 110	7 820	7.5 m	
-15 ft lb	*47,670	*47,670	*59,360	*59,360	*42,270	34,770		*31,750	22,670						*24,540	17,470	24.3 ft	
-6 m kg			*20 790	*20 790	*15 130	*15 130									*11 300	*11 300	5.8 m	
-20 ft lb			*44,070	*44,070	*31,910	*31,910									*24,880	*24,880	18.4 ft	
Boom : 6.2m (20'4") Arm : 2.6m (8'6") Shoe : 900mm (36") CWT : 7 250kg (15,980lb)	7.5 m kg							*10 700	*10 700							*10 870	10 770	6.7 m
	25 ft lb							*23,660	*23,660							*24,030	*24,030	21.6 ft
	6 m kg								*11 220	*11 220	*10 740	8 910				*10 760	8 560	7.7 m
	20 ft lb								*24,490	*24,490	*23,730	19,120				*23,740	19,100	25.0 ft
	4.5 m kg					*15 850	*15 850	*12 670	*12 280	*11 200	8 740					*10 870	7 480	8.3 m
	15 ft lb					*34,060	*34,060	*27,470	26,480	*24,460	18,840					*23,960	16,590	27.1 ft
	3 m kg					*19 770	17 800	*14 470	11 720	*12 030	8 490					10 710	6 960	8.6 m
	10 ft lb					*42,490	38,420	*31,310	25,300	*26,180	18,300					23,650	15,380	28.1 ft
	1.5 m kg					*22 280	16 970	*15 980	11 260	*12 830	8 250					10 540	6 820	8.6 m
	5 ft lb					*48,130	36,580	*34,620	24,300	*27,770	17,790					23,240	15,030	28.2 ft
	0 m kg					*22 820	16 700	*16 750	11 000	12 720	8 100					10 920	7 030	8.3 m
	0 ft lb					*49,480	35,950	*36,320	23,720	27,410	17,470					24,080	15,500	27.3 ft
	-1.5 m kg			*17 770	*17 770	*22 010	16 720		*16 560	10 940	12 710	8 080				12 050	7 700	7.8 m
	-5 ft lb			*40,440	*40,440	*47,770	35,980		*35,890	23,590	27,400	17,470				26,630	17,020	25.5 ft
	-3 m kg			*26 490	*26 490	*19 850	16 960		*15 050	11 080						*12 530	9 240	6.9 m
	-10 ft lb			*57,540	*57,540	*42,980	36,500		*32,410	23,920						*27,640	20,540	22.4 ft
	-4.5 m kg					*15 320	*15 320									*12 280	*12 280	5.4 m
-15 ft lb					*32,540	*32,540									*26,950	*26,950	17.5 ft	

Notes: 1. Machine in "Fine Mode-F" (Power Boost) for lifting capacities. 2. The above loads are in compliance with SAE J1097 and ISO 10567 Hydraulic Excavator Lifting Capacity Standards. 3. Rated loads do not exceed 87% of hydraulic lifting capacity or 75% of tipping load. 4. Rated loads marked with an asterisk (*) are limited by hydraulic capacity rather than tipping load.

Specifications

LIFTING CAPACITY EC380ELC

Lifting capacity at the arm end without bucket.

For lifting capacity including bucket, simply subtract actual weight of the direct fit bucket or the bucket with quick coupler from the following values.

	Lifting hook related to ground level	1.5m, 5 ft		3.0m, 10 ft		4.5m, 15 ft		6.0m, 20 ft		7.5m, 25 ft		9.0m, 30 ft		Max. Reach				
		Along UC	Across UC	Along UC	Across UC	Along UC	Across UC	Along UC	Across UC	Along UC	Across UC	Along UC	Across UC	Along UC	Across UC	max.		
Boom : 6.45m (21'2") Arm : 2.6m (8'6") Shoe : 900mm (36") CWT : 7 250kg (15,980lb)	7.5 m kg															*10 420	10 030	7.0 m
	25 ft lb								*22,670	*22,670						*23,030	22,630	22.7 ft
	6 m kg								*11 020	*11 020	*10 360	8 950				*10 360	8 120	8.0 m
	20 ft lb								*24,000	*24,000	*22,790	19,240				*22,840	18,080	25.9 ft
	4.5 m kg						*16 080	*16 080	*12 580	12 220	*10 970	8 740				*10 480	7 150	8.5 m
	15 ft lb						*34,490	*34,490	*27,240	26,380	*23,930	18,850				*23,100	15,840	27.9 ft
	3 m kg								*14 430	11 650	*11 870	8 470				10 250	6 670	8.8 m
	10 ft lb								*31,200	25,150	*25,810	18,270				22,630	14,730	28.9 ft
	1.5 m kg								*15 940	11 190	*12 710	8 220				10 090	6 530	8.8 m
	5 ft lb								*34,500	24,140	*27,600	17,730				22,250	14,410	29.0 ft
	0 m kg						*21 850	16 600	*16 690	10 930	12 680	8 060				10 430	6 720	8.6 m
	0 ft lb						*49,270	35,720	*36,180	23,580	27,310	17,390				22,990	14,820	28.2 ft
	-1.5 m kg			*14 880	*14 880	*21 890	16 640	*16 550	10 870	12 640	8 030					11 420	7 320	8.1 m
	-5 ft lb			*33,980	*33,980	*47,540	35,800	*35,870	23,450	27,260	17,340					25,230	16,170	26.4 ft
	-3 m kg			*26 310	*26 310	*19 940	16 870	*15 270	11 000							*12 160	8 650	7.2 m
-10 ft lb			*57,220	*57,220	*43,210	36,300	*32,970	23,740							*26,830	19,210	23.5 ft	
-4.5 m kg			*20 930	*20 930	*16 070	*16 070									*12 110	11 970	5.8 m	
-15 ft lb			*45,000	*45,000	*34,370	*34,370									*26,620	*26,620	18.8 ft	
Boom : 6.45m (21'2") Arm : 3.2m (10'6") Shoe : 900mm (36") CWT : 7 250kg (15,980lb)	7.5 m kg									*9 370	9 160				*8 200	*8 200	7.7 m	
	25 ft lb									*20,660	20,190				*18,150	*18,150	24.9 ft	
	6 m kg									*9 500	9 090				*7 980	7 340	8.5 m	
	20 ft lb									*20,840	19,570				*17,600	16,330	27.8 ft	
	4.5 m kg						*14 350	*14 350	*11 610	*11 610	*10 260	8 850	*8 790	6 630	*8 060	6 540	9.1 m	
	15 ft lb						*30,820	*30,820	*25,170	*25,170	*22,370	19,070	*19,380	14,620	*17,750	14,490	29.7 ft	
	3 m kg						*18 440	18 010	*13 580	11 810	*11 290	8 540	9 970	6 500	*8 390	6 140	9.3 m	
	10 ft lb						*39,640	38,870	*29,380	25,490	*24,530	18,420	21,460	13,990	*18,470	13,550	30.6 ft	
	1.5 m kg						*21 460	17 010	*15 330	11 280	*12 280	8 250	9 820	6 360	*9 030	6 010	9.4 m	
	5 ft lb						*46,320	36,670	*33,180	24,340	*26,660	17,800	21,150	13,700	*19,860	13,250	30.7 ft	
	0 m kg						*22 610	16 590	*16 410	10 940	12 670	8 040	9 710	6 260	9 520	6 140	9.1 m	
	0 ft lb						*48,990	35,710	*35,560	23,600	27,280	17,350			20,990	13,540	29.9 ft	
	-1.5 m kg			*15 110	*15 110	*22 370	16 510	*16 640	10 810	12 570	7 950				10 280	6 600	8.6 m	
	-5 ft lb			*34,210	*34,210	*48,540	35,530	*36,080	23,300	27,070	17,160				22,710	14,580	28.3 ft	
	-3 m kg	*17 590	*17 590	*23 840	*23 840	*20 970	16 660	*15 880	10 860	*12 270	8 020				*11 520	7 600	7.8 m	
-10 ft lb	*39,430	*39,430	*54,050	*54,050	*45,430	35,840	*34,340	23,420	*26,330	17,340				*25,430	16,870	25.6 ft		
-4.5 m kg			*24 300	*24 300	*17 980	17 030	*13 490	11 130						*11 830	9 850	6.6 m		
-15 ft lb			*52,380	*52,380	*38,670	36,680	*28,730	24,060						*26,100	22,090	21.3 ft		
Boom : 6.45m (21'2") Arm : 3.9m (12'10") Shoe : 900mm (36") CWT : 7 250kg (15,980lb)	9 m kg														*6 920	*6 920	7.2 m	
	30 ft lb														*15,410	*15,410	23.3 ft	
	7.5 m kg									*8 160	*8 160				*6 470	*6 470	8.4 m	
	25 ft lb									*18,070	*18,070				*14,300	*14,300	27.4 ft	
	6 m kg									*8 510	*8 510	*7 680	6 830	*6 310	*6 310	9.2 m		
	20 ft lb									*18,670	*18,670	*14,610	*14,610	*13,930	*13,930	30.2 ft		
	4.5 m kg								*10 380	*10 380	*9 380	8 970	*8 850	6 710	*6 370	5 890	9.7 m	
	15 ft lb								*22,510	*22,510	*20,450	19,330	*19,410	14,440	*14,030	13,030	31.9 ft	
	3 m kg						*16 410	*16 410	*12 460	12 010	*10 510	8 630	*9 430	6 540	*6 600	5 540	10.0 m	
	10 ft lb						*35,300	*35,300	*26,960	25,910	*22,850	18,600	*20,600	14,080	*14,530	12,240	32.7 ft	
	1.5 m kg						*20 040	17 300	*14 440	11 390	*11 650	8 290	9 820	6 350	*7 040	5 430	10.0 m	
	5 ft lb						*43,230	37,290	*31,270	24,580	*25,310	17,870	21,160	13,690	*15,500	11,970	32.8 ft	
	0 m kg			*9 320	*9 320	*22 030	16 630	*15 870	10 950	*12 550	8 020	9 660	6 210	*7 760	5 520	9.8 m		
	0 ft lb			*21,210	*21,210	*47,680	35,790	*34,390	23,620	*27,240	17,300	20,820	13,390	*17,100	12,170	32.1 ft		
	-1.5 m kg	*9 510	*9 510	*14 220	*14 220	*22 500	16 380	*16 510	10 730	12 490	7 870	9 590	6 140	*8 930	5 860	9.3 m		
-5 ft lb	*21,230	*21,230	*32,130	*32,130	*48,790	35,240	*35,800	23,130	26,890	16,970	20,680	13,260	*19,720	12,940	30.6 ft			
-3 m kg	*14 830	*14 830	*20 550	*20 550	*21 740	16 410	*16 250	10 690	12 470	7 850				10 300	6 580	8.6 m		
-10 ft lb	*33,200	*33,200	*46,500	*46,500	*47,110	35,310	*35,180	23,060	26,870	16,950				22,830	14,590	28.1 ft		
-4.5 m kg	*21 190	*21 190	*27 500	*27 500	*19 600	16 680	*14 770	10 850						*11 110	8 080	7.5 m		
-15 ft lb	*47,670	*47,670	*59,360	*59,360	*42,270	35,900	*31,750	23,420						*24,540	18,060	24.3 ft		
-6 m kg			*20 790	*20 790	*15 130	*15 130								*11 300	*11 300	5.8 m		
-20 ft lb			*44,070	*44,070	*31,910	*31,910								*24,880	*24,880	18.4 ft		

Notes: 1. Machine in "Fine Mode-F" (Power Boost) for lifting capacities. 2. The above loads are in compliance with SAE J1097 and ISO 10567 Hydraulic Excavator Lifting Capacity Standards. 3. Rated loads do not exceed 87% of hydraulic lifting capacity or 75% of tipping load. 4. Rated loads marked with an asterisk (*) are limited by hydraulic capacity rather than tipping load.

Equipment

STANDARD EQUIPMENT		
	EC350E	EC380E
Engine		
Turbocharged, 4 stroke diesel engine with water cooling, direct injection and charged air cooler that meets Tier 4f requirements	•	•
Air filter with indicator	•	•
Air intake heater	•	•
Cyclone pre-cleaner	•	•
Electric engine shut-off	•	•
Fuel filter and water separator	•	•
Fuel filler pump: 50 l/min(13.2 gal/min), with automatic shut-off	•	•
Alternator, 80 A	•	•
Electric / Electronic control system		
Advanced mode control system	•	•
Self-diagnostic system	•	•
Machine status indication	•	•
Engine speed sensing power control	•	•
Automatic idling system	•	•
One-touch power boost	•	•
Safety stop/start function	•	•
Adjustable 8inch LCD color monitor	•	•
Master electrical disconnect switch	•	•
Engine restart prevention circuit	•	•
Frame-mounted 2	•	•
Boom-mounted 2	•	•
Batteries, 2 x 12 V / 200 Ah	•	•
Start motor, 24 V / 7 kW	•	•
Frame		
Access way with handrail	•	•
Tool storage area	•	•
Punched metal anti-slip plates	•	•
Hydraulic system		
Hose rupture valve: boom	•	•
Overload warning device	•	•
2-pump flow bucket circuit	•	•
Summation system	•	•
Boom priority	•	•
Arm priority	•	•
Swing priority	•	•
Boom, arm and bucket regeneration valves	•	•
Swing anti-rebound valves	•	•
Boom and arm holding valves	•	•
Multi-stage filtering system	•	•
Cylinder cushioning	•	•
Cylinder contamination seals	•	•
Auxiliary hydraulic valve	•	•
Automatic two-speed travel motors	•	•
Hydraulic oil, ISO VG 46	•	•
Cab and interior		
ROPS (ISO12117-2) certified cab	•	•
Silicon oil and rubber mounts with spring	•	•
Travel pedals and hand levers	•	•
Adjustable operator seat and joystick control console	•	•
Control joysticks with 4 switches each	•	•
Heater & air-conditioner, automatic	•	•
Flexible antenna	•	•
AM/FM stereo with MP3, USB and bluetooth input	•	•
Hydraulic safety lock lever	•	•
Cup holders	•	•
Door locks	•	•
Tinted glass	•	•
Floor mat	•	•
Horn	•	•
Large storage area	•	•
Pull-up type front window	•	•

STANDARD EQUIPMENT		
	EC350E	EC380E
Removable lower windshield	•	•
Seat belt	•	•
Safety glass	•	•
Sun screens, front, roof, rear	•	•
Rain shield	•	•
Windshield wiper with intermittent feature	•	•
Rear view camera	•	•
Master key	•	•
Undercover (heavy-duty)	•	•
Hydraulic track adjusters	•	•
Greased and sealed track link	•	•
Track Guard	•	•
800 mm(32") with triple grousers	•	•
6.45 m (21'2") GP	•	—
6.45 m (21'2") HD	—	•
3.2 m (10'6") GP	•	—
3.2 m (10'6") HD	—	•
Manual centralized lubrication	•	•

OPTIONAL EQUIPMENT		
	EC350E	EC380E
Engine		
Block heater: 120 V, 240 V	•	•
Oil bath pre-cleaner	•	•
Diesel coolant heater, 10 kW	•	•
Water separator with heater	•	•
Auto engine shutdown	•	•
Electric		
Extra work lights: Halogen/LED		•
Cab-mounted 3	•	•
Boom-mounted 2	•	•
Counterweight-mounted 1	•	•
Travel alarm	•	•
Anti-theft system	•	•
Rotating warning beacon	•	•
Undercarriage		
Full track guard	•	•
Hydraulic System		
Hose rupture valve: arm	•	•
Boom float function	•	•
Hydraulic piping:		•
Work tool management system (up to 20 programmable memories)	•	•
Breaker & shear, 1 and 2 pump flow	•	•
Breaker & shear:	•	•
variable flow and pressure pre-setting	•	•

OPTIONAL EQUIPMENT			
	EC350E	EC380E	
Additional return filter	•	•	
Slope & rotator	•	•	
Grapple	•	•	
Oil leak (drain) line	•	•	
Quick coupler piping	•	•	
Volvo hydraulic quick coupler S3	•	•	
Volvo hydraulic quick coupler	•	•	
VQC-HU,DR38	•	•	
Hydraulic oil, ISO VG 32	•	•	
Hydraulic oil, ISO VG 46	•	•	
Hydraulic oil, ISO VG 68	•	•	
Hydraulic oil, biodegradable 46	•	•	
Hydraulic oil, longlife oil 32	•	•	
Hydraulic oil, longlife oil 46	•	•	
Hydraulic oil, longlife oil 68	•	•	
Counterweight			
6 200 kg(13,670lb)	•	•	
6 700 kg(14,770lb)	•	•	
7 250 kg(15,980lb)	—	•	
8 200 kg(18,080lb) for long reach	—	•	
Cab and interior			
Fabric seat with heater	•	•	
Fabric seat with heater and air suspension	•	•	
Pilot control pattern change	•	•	
Opening top hatch	•	•	
Falling object guard (FOG)	•	•	

OPTIONAL EQUIPMENT			
	EC350E	EC380E	
Frame-mounted	•	•	
Cab-mounted	•	•	
Cab-mounted falling object protective structure (FOPS)	•	•	
Smoker kit (ashtray and lighter)	•	•	
Safety net for front window	•	•	
Lower wiper with intermittent control	•	•	
Anti-vandalism kit	•	•	
Specific key	•	•	
Track shoes			
Track shoes 600/700/800/900 mm(24/28/32/36") with triple grousers	•	•	
Track shoes 600 mm(24") HD with triple grousers and HD links	—	•	
Track shoes 600 mm(24") with double grousers	•	•	
Digging Equipment			
6.2 m(20'4") ME	•	•	
8.5 m(27'11") LR	—	•	
2.6 m(8'6") ME	•	•	
3.9 m(12'10") GP	•	—	
3.9 m(12'10") HD	—	•	
5.0 m(16'5") LR	—	•	
Linkage with lifting eye	•	•	
Service			
Tool kit, daily maintenance	•	•	
Tool kit, full scale	•	•	
Automatic lubrication system	•	•	
Air compressor	•	•	

SELECTION OF VOLVO OPTIONAL EQUIPMENT

Auxiliary hydraulics (Breaker/Shear, Tilt / Rotator)



Side-view camera



LED Lights



Air compressor



Long reach (EC380E only)



Mass excavation



Not all products are available in all markets. Under our policy of continuous improvement, we reserve the right to change specifications and design without prior notice. The illustrations do not necessarily show the standard version of the machine.

VOLVO

Volvo Construction Equipment

www.volvoce.com