

V O L V O



Volvo Single Drum Compactors 7 t / 15,430 lb 74 hp

**SD75B**

Volvo Construction Equipment

# SD75B



## Drum performance



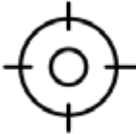
Volvo's advanced drum control system delivers multiple frequencies, dual amplitude, and optimized centrifugal force.

## Gradeability



The Volvo traction system provides excellent climbing and traction capabilities in difficult applications. For the most demanding applications, the High Traction variant is also available.

# Packed with intelligence



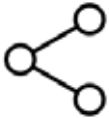
## Volvo engine

The perfectly optimised Volvo Tier 4F engine delivers high torque at low rpm for superior performance and low fuel consumption.



## Passive regeneration

Passive regeneration functions automatically during operation without input from the operator or effect on machine performance.



## ECO mode

ECO mode can be selected by the operator. This feature adjusts the engine speed to match the operation mode.



## Operator environment

The ROPS/FOPS certified cab or open operator's area provides a safe and comfortable working environment with allaround visibility.



## High quality components

The compactor features the highest quality components, clever routing and clean design.



## Heavy-duty drum

The heavy-duty drum, center joint and front frame components are designed and manufactured with durability in mind.



## Service access

The electric engine hood lifts up giving extensive ground level access to the engine compartment.



## ActiveCare Direct

Maximize machine uptime and reduce repair costs with ActiveCare Direct, with 24-7/365 machine monitoring as well as customer reports.

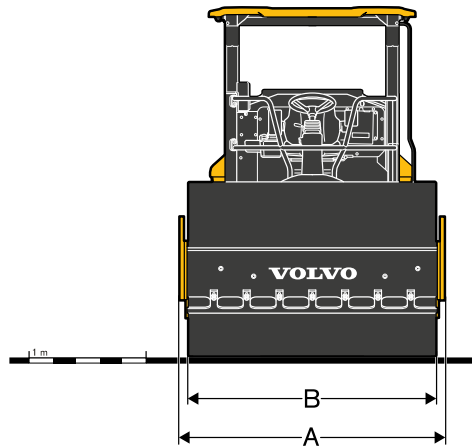
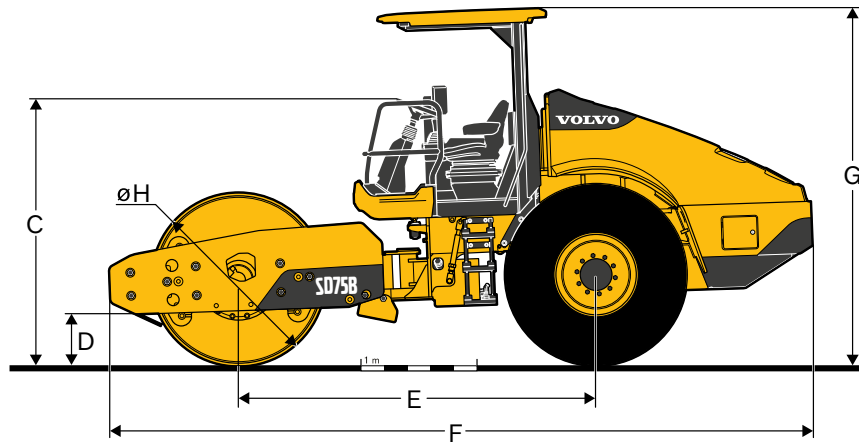


## Compact Assist

Achieve optimum compaction results, with less effort, thanks to the suite of Compact Assist apps – all powered by the 10" Volvo Co-Pilot touchscreen.

# Specifications

Model				SD75B			
Drum type				Smooth		Padfoot	
<b>Machine Weights (inc. ROPS &amp; inside scraper)</b>							
Operating Weight (CECE)	kg	lb	7,192	15,850	7,368	16,245	
Static Weight @ Drum	kg	lb	3,610	8,025	3,786	8,350	
Static Weight @ Tyres	kg	lb	3,582	7,900	3,582	7,900	
Shipping Weight	kg	lb	7,081	15,610	7,257	1,600	
<b>Drum</b>							
Width	mm	in	1 676	66	1 676	66	
Diameter	mm	in	1,215	48	1,207	48	
Shell Thickness	mm	in	20	1	16	1	
Diameter Over Pad Feet	mm	in	-	-	1,354	54	
Pad Feet	number of		-	-	84		
Pad Height	mm	in	-	-	75	3	
Pad Tip Area	cm <sup>2</sup>	in <sup>2</sup>	-	-	135.3	21	
<b>Vibration</b>							
Frequency	Hz	vpm	30.8/33.8	1,850/2,025	30.8/33.8	1,850/2,025	
Optional 5 Frequency	High Amp	Hz	vpm	23.3-30.8	1,398-1,850	23.3-30.8	1,398-1,850
Centrifugal Force	High Amp	kN	lb	139	31,250	139	31,250
	Low Amp	kN	lb	121	27,200	121	27,200
Nominal Amplitude	High Amp	mm	in	1.94	0.08	1.71	0.06
	Low Amp	mm	in	1.41	0.06	1.25	0.05
<b>Propulsion</b>							
Type	Hydrostatic						
Tyre	14.9-24 R3 6PR TT			14.9-24 R1 6PR TL			
Drum Drive	LSHT Motor						
<b>Travel Speed</b>							
High	km/h	mph	12.3	7.6	13	8.1	
Low	km/h	mph	6.5	4.0	7.5	4.7	
<b>Engine</b>							
Make / Model	Volvo D3.8 Tier 4 F						
Engine Type	Turbocharged 4 cylinder						
Rated Power @ 2 200 rpm	kW	hp	55.4			74	
<b>Electrical System</b>							
Voltage (Negative ground)	Volt		12				
Alternator	Ah		100				
Batteries	CCA		1 x 1,000				
<b>Brakes</b>							
Service	Hydrostatic						
Parking / Secondary	Spring-applied, hydraulically released on drum & axle						
<b>Miscellaneous</b>							
Articulation Angle	°		+/- 38				
Oscillation Angle	°		+/- 12				
Inside turning radius	mm	in	3,249	128	3,249	128	
Fuel Capacity	l	gal	115			30	
Hydraulic Oil Capacity	l	gal	60			16	
<b>Guaranteed Sound Level</b>							
Operator's Ear, acc. to ISO 11203:2009	L <sub>PA</sub> dB(A)		74 (Cab) - 87 (Canopy)				
External, acc. to Directive 2000/14/EC	L <sub>WA</sub> dB(A)		104				



#### DIMENSIONS

Model	SD75B			
	Smooth drum		Padfoot drum	
	mm	in	mm	in
A	1,830	72	1,830	72
B	1,676	66	1,676	66
C	2,183	86	2,252	88.7
D	383	15.1	452	17.8
E	2,677	105.4	2,677	105.4
F	5,044	198.6	5,044	198.6
G	2,924	115.1	2,993	117.8
H	1,215	47.8	1,354	53.3

#### GRADEABILITY

Model	SD75B	
	Smooth	Padfoot
No traction enhancement	Moderate	
With flow divider option	High	

Moderate applications include highway construction, finish grades, and slopes up to 30%.

High applications include trenching, infrastructure projects, and slopes ranging from 25% to 40%.

Extreme applications include thick lifts of loose material, use of leveling blades, and slopes over 30% such as landfills.





**V O L V O**