

Volvo Construction Equipment
Building Tomorrow



EWRI50E, EWRI70E

Volvo Excavators 15.4-17.9 t / 33,950-39,460 lb 141 hp, 17.9-19.2 t / 39,570-42,330 lb 154 hp



A passion for performance

At Volvo Construction Equipment, we're not just coming along for the ride. Developing products and services that raise productivity – we are confident we can lower costs and increase profits for customers around the globe. Part of the Volvo Group, we are passionate about innovative solutions to help you work smarter – not harder.

Helping you to do more

Doing more with less is a trademark of Volvo Construction Equipment. High productivity has long been married to low energy consumption, ease of use and durability. When it comes to lowering life-cycle costs, Volvo is in a class of its own.

Designed to fit your needs

There is a lot riding on creating solutions that are suited to the particular needs of different industry applications. Innovation often involves high technology – but it doesn't always have to. Some of our best ideas have been simple, based on a clear and deep understanding of our customers' working lives.



You learn a lot in 180 years

Over the years, Volvo has advanced solutions that have revolutionized the use of construction equipment. No other name speaks Safety louder than Volvo. Protecting operators, those around them and minimizing our environmental impact are traditional values that continue to shape our product design philosophy.

We're on your side

We back the Volvo brand with the best people. Volvo is truly a global enterprise, one that is on standby to support customers quickly and efficiently – wherever they are.

We have a passion for performance.

A strong, dedicated, capable dealer network

Our dealers are strategically located throughout North America to provide the equipment you need and the parts and service support you demand for a productive and profitable operation.

The strength of our dealer network is enhanced with extensive individualized product support training at our best-in-class Customer Center in Shippensburg and through hands-on training. Using a great Product Demonstration Center featuring a dedicated area for most common applications, visitors operate equipment from our entire product line under a variety of simulated working conditions. This facility is in year-round use by our dealers and customers.

Building the best starts right here.

The products designed and manufactured by Volvo Construction Equipment have their beginnings at the most advanced Research & Design centers in the industry. Volvo CE machines are designed in 11 R&D centers and produced in 15 manufacturing facilities across the world.

The major R&D center and manufacturing plant in the Americas is located in Shippensburg, Pennsylvania. This facility has been in operation for over 30 years and – with its recently added 200,000 sq. ft. expansion – now covers 570,000 sq. ft. on an 80 acre campus. Dedicated work teams and highly advanced technologies and techniques using the Volvo Production System ensure continuous quality improvements, labor savings and cost control to reach the high quality that our customers have come to expect from Volvo.





Volvo Trucks



Renault Trucks



Mack Trucks



UD Trucks



Volvo Buses



Volvo Construction Equipment



Volvo Penta



Volvo Financial Services

Class-leading short swing machine

The EWR150E now has a bigger brother – the EWR170E – delivering everything and more that you would expect from an E-Series Volvo excavator. Work and perform in narrow and confined spaces with Volvo’s short swing radius wheeled machines, featuring one of the shortest tail swing on the market.



Controllability

Take on any application with the improved load-sensing hydraulic system that allows maximum utilization of available engine power, increasing controllability and responsiveness.

EWR150E in action

I like the hydraulics, they are really responsive.
Test driver Sebastian Alm, Firma Sebastian Alm, Sweden



EWR150E – Choice of undercarriage

Concerned about machine weight? Select the 15.2 t (33,509 lb) welded undercarriage, with radial blade and EW140 class drivetrain for the lightest possible configuration. For heavy duty work, go with the bolted undercarriage with parallel blade, bolted outriggers and EW160-class drivetrain for a 17.9 t (39,432 lb) - up to 19.4 t (42,768 lb) machine with 30% higher drawbar pull.

EWR170E – Standard or wide axles

To boost stability, the EWR170E is optionally equipped with a 2 750 mm (9'0") axle and blade.



SHORT SWING PERFORMANCE

Swing into action, and take on the jobs that a conventional excavator can't, with improved lifting capacity, so you won't have to compromise on reach, lifting or digging performance. The market leading tail swing of the EWR150E, at 1 720 mm (5'8"), and the short tail swing of the EWR170E, at 1 790 mm (5'10") make for efficient and safe work in confined spaces.



*The short swing radius is clearly a major benefit, as it enables us to work in a tight residential environment without obstructing traffic.
On-site manager Thorsten Bargatsky, Gebr. Kickartz GmbH, Germany*

BUILT IN PARTNERSHIP

At Volvo, we go the extra mile to make sure our customers are included throughout the entire engineering journey of our machines. Offering on-site demonstrations and test drives, we give customers the opportunity to tailor their machine to the demands of their jobsites. Rigorously tested, the EWR150E and EWR170E are designed to achieve optimum real-world performance - experience continuous improvement with Volvo.



EWR150E in action

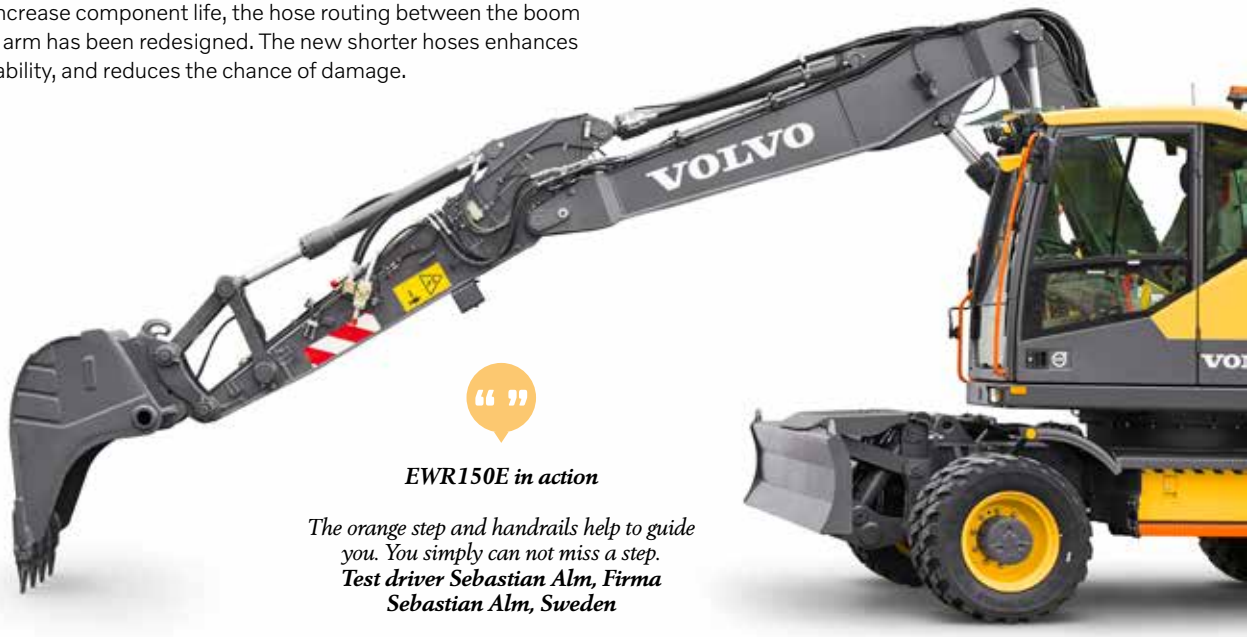
*At last, the machine we've been waiting for!
Civil engineer Rainer Ganzenmüller, Germany*

Designed by you, built by Volvo

To make sure our machines reflect what the market wants and needs, we have involved customers at every stage of development. The EWR170E is built on the success of the EWR150E. Based on feedback from the field, we came up with a design that exceeds expectations and takes short tail swing machines to the next stage.

Longer hose life

To increase component life, the hose routing between the boom and arm has been redesigned. The new shorter hoses enhances durability, and reduces the chance of damage.



EWR150E in action

*The orange step and handrails help to guide you. You simply can not miss a step.
Test driver Sebastian Alm, Firma
Sebastian Alm, Sweden*

Safer, from the inside and out

Find your way easily when entering and exiting the machine, thanks to bright steps and handrails. As an option, the welcome light can now be controlled remotely, to guide you in the darkness.



Clean and productive

Reduce the risk of damage to your machine, with new axle mounted mudguards. Designed with a large surface area following the wheel arch, the mudguards will help to keep your machine cleaner for longer.



Comfortable and convenient

Conveniently designed to make life easier on the jobsite, the EWR150E and EWR170E are equipped with the latest features to increase productivity. Take on the most demanding working environments from the comfort of the spacious Volvo Care Cab, boasting all-around visibility and ergonomically-positioned controls.

Volvo Smart View

Increase visibility using the rear view and side view cameras – which come as standard. Or select Volvo Smart View. This smart option offers a bird's-eye-view of the machine in real-time, as well as enhanced visibility of all angles, to help you navigate through tough situations.



EWR150E in action

*Really good track of surroundings.
Test driver Mattias Wallin, Mattias Wallin AB, Sweden*



Comfort Drive Control

New for the Volvo wheeled excavator range, Comfort Drive Control gives the operator the opportunity to control the machine using the roller on the joystick, up to 20km/h (12mi/h). Enjoy easy operation with an array of functions at your fingertips. You can opt to integrate blade/outrigger controls in the left-hand joystick.

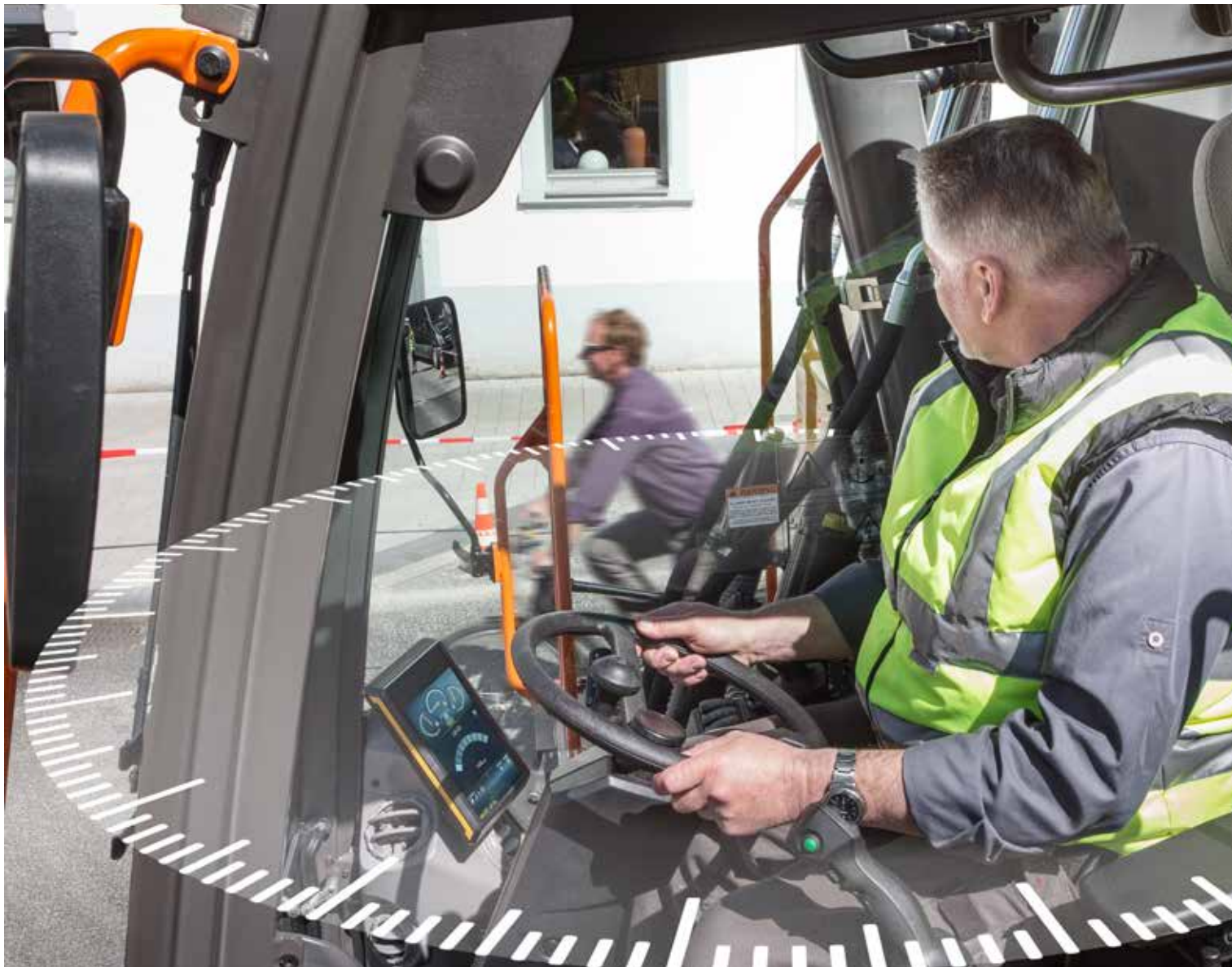
Operator convenience

Operate in comfort every day, with a number of features that contribute to a more productive environment. These include the drawer type tool box, trailer hitch, refuelling pump, in-cab fluid check, and Bluetooth. Customize the controls on the joystick, and create a short cut for easy operation of the wipers or mute function.



SEE MORE, DO MORE

Swing without obstruction. The combined positioning of the engine at the back of the machine, with the extra available space at the front right of the machine, offer a clear view to the right. Visibility is also enhanced by the large front and side glass windows of the cab, allowing operators to see any pedestrians or obstacles.



EWRI50E in action

*The visibility to the right beats other manufacturers.
Test driver Sebastian Alm, Firma Sebastian Alm, Sweden*

COMFORT AT SPEED

Experience ultimate control and enhanced comfort while traveling at high speeds. The optional Boom Suspension System automatically engages at 5km/h (3.11 mi/h), absorbing shocks to reduce bouncing and bucket spillage. The hydraulic circuit, complete with gas pressure dampeners, softens the vibrations when driving over rough terrain or bumpy roads for smoother and faster travel.



The environmental standards and requirements in municipal contracts are constantly being raised. When buying new machines it is necessary to anticipate future norms and government standards. The emissions performance of the Tier 4 final engines make these machines potentially a good long-term investment for us.

On-site manager Thorsten Bargatsky, Gebr. Kickartz GmbH, Germany

Boost your productivity

Swing into action with superior performance and efficiency. The versatile EWR150E and EWR170E combine power, fuel efficiency, easy service and smart features for an all-round machine that's in tune with your needs.



Automatic digging brake

Maximize uptime with the optional automatic digging brake, first introduced by Volvo. The service brake and oscillation lock automatically engage when the machine's speed is at zero, so you can get straight to work once you stop.

EWR150E in action

*The automatic digging brake works really well. It kept me steady, even on a slope.
Test driver Mattias Wallin, Mattias Wallin AB, Sweden*



Power up, fuel down

Move more with less thanks to the powerful Volvo engine. To reduce fuel consumption, the machines are also equipped with auto idle and auto engine shut down functions. ECO mode turns on automatically to maintain productivity and increase fuel efficiency and the passive regeneration process automatically cleans the DPF filters without any impact on performance.

Boom float function

Operations are easier with the boom float function. The optional feature enables the operator to fully concentrate on the attachment without having to focus on the boom. Whether using a Volvo bucket, hammer or vibration plate, count on the boom float function to limit excessive forces – resulting in longer life for the machine and attachment.



More than a machine

To ensure your business runs smoothly, Volvo invests in the intelligent engineering of all machines – but we don't stop there. As your partner in production, we support what you do with the best equipment for the job. Our portfolio of attachments and services is designed to complement your machine's performance and boost your profitability.

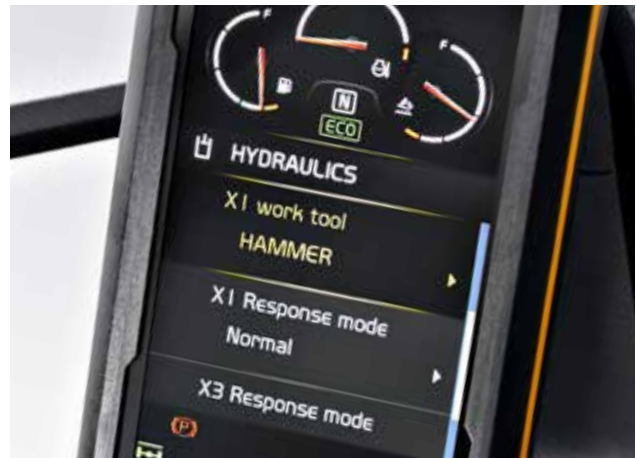
Match and attach

Get the most out of your wheeled excavator with our range of purpose-built attachments, designed to work in perfect harmony with your machine. Form one solid and reliable unit that delivers improved cycle times and increased fuel efficiency, by customizing your machine with quality Volvo attachments, which match your needs.



Versatility

Enjoy easy and efficient changes of your attachments with the Attachment Management System. Storing the settings for up to 20 different attachments, our system will keep downtime to a minimum. Moreover, a new shortcut button is located on the consol to enable simple access to the attachments menu.



Machine monitoring made easy

Stay ahead of unscheduled downtime and check that your machine is being operated efficiently with CareTrack – the state-of-the-art telematics system from Volvo. Stay informed and receive reports, alarms and information such as fuel status, machine location and hours, so you can plan your service more efficiently.



Here to support you

Maintain productivity with our range of Genuine Volvo Parts – all backed by Volvo warranty, with 24-hour delivery guarantee. Maximize machine uptime and reduce repair costs with ActiveCare Direct. The intelligent service provides round the clock machine monitoring, as well as customer reports – to help take predictive and preventative maintenance actions.



STEELWRIST® TILTROTATOR

Boost productivity with the Steelwrist® tiltrotator, offering ultimate control and reduced fuel consumption. The factory-fitted Volvo system gives you the power to control both the machine and tiltrotator using only the two joysticks, with the information presented on just one machine display. Volvo digging, grading and cable buckets are designed to perfectly fit with the tiltrotator. (Steelwrist® is a registered trademark of Steelwrist AB)



In a class of its own

Comfort Drive Control

Control the machine using only the roller on the joystick, thanks to Comfort Drive Control. You can also easily customize the controls to your preference.

COMFORT AT SPEED

Experience smoother and faster travel when driving over rough terrain, thanks to the optional Boom Suspension System.

Automatic digging brake

The automatic digging brake engages when the machine's speed is at zero, so you can get straight to work once you stop.

STEELWRIST® TILTROTATOR

The new generation control system works collectively with the two joysticks and machine display for ultimate efficiency.

Undercarriage versatility

Tailor the weight and drawbar pull of your EWR150E with a choice of undercarriages. To boost stability, the EWR170E is optionally equipped with a 2 750 mm (9'0") wide axle and blade.



Volvo Smart View

Get access to a bird's eye view of the operation in real-time, with Volvo Smart View – offered as a standalone screen or integrated into machine's display.

SEE MORE, DO MORE

The smart positioning of the engine at the back of the machine offers great stability, as well as offering unobstructed views to the side.

SHORT SWING PERFORMANCE

The market-leading short swing tail enables safe work in confined spaces, without compromising on stability.

Trailer towing hitch

For maximum versatility and productivity, take all your tools to the jobsite in one trip, thanks to the road-homologated trailer hitch (TüV).

Superior serviceability

Ground-level access to all daily checkpoints, grouped greasing points and pivoting AC condenser allow for fast and effortless maintenance.

Made in Germany

Designed, made and tested in Germany, the EWR150E and EWR170E are the perfect machines, wherever you are in the world.

BUILT IN PARTNERSHIP

Volvo has involved the customer at every stage of the machine's design, through on-site visits and test drives.



Volvo EWR150E in detail

Engine

Volvo Construction Equipment is ready to comply with the tough new Tier 4 Final legislation for off-road vehicles with the introduction of a cascade of innovations in its new generation engines with Volvo Advanced Combustion Technology (V-ACT).

Volvo machines are equipped with in-line turbo charged diesel engine with high pressure unit injector system. The engine features a externally cooled exhaust gas re-circulation (E-EGR), a Diesel Particulate Filter (DPF) and a Selective Catalytic Reduction (SCR) with AdBlue®.

Engine	Volvo	D4J
Max. power at	r/min (r/s)	2,000 (33.3)
Net (ISO9249/SAEJ1349)	kW (hp)	102 (137)
Gross (ISO 14396/SAE J1995)	kW (hp)	105 (141)
Max. torque	Nm (ft lbf)	605 (446)
at engine speed	r/min (r/s)	1,500 (25)
No. of cylinders		4
Displacement	l (in ³)	4.04 (246.5)
Bore	mm (in)	101 (4)
Stroke	mm (in)	126 (5)

Electrical system

High-capacity electrical system that is well protected. Waterproof double-lock harness plugs are used to secure corrosion-free connections. The main relays and solenoid valves are shielded to prevent damage. The master switch is standard.

Voltage	V	24
Batteries	V	2 x 12
Battery capacity	Ah	2 x 100
Alternator	V/Ah	24/120
Alternator rating	W	3 360

Undercarriage

Drive train: A variable axle piston motor in combination with a power shift gearbox supplies 3 speeds. The gearbox distributes than the energy via propeller shafts to the axles.

2 different undercarriages : a) Welded radial blade only with EW140 drive train. b) Bolted undercarriage with parallel blade with EW160 drivetrain and the option to add outriggers .

Wheels: Alternative single and twin wheels available.

Front axle: Robust excavator axle with automatic or operator controlled front axle oscillation lock.

Oscillating	± °	9
with mudguards	± °	6
Twin wheels	type	10/11-20
Tractive force (net)	kN (lbf)	88 / 111 (19,783 / 24,954)
Travel speed, on road	km/h (mi/h)	20 / 30 / 35 (12.4 / 18.6 / 21.7)
Travel speed, off road	km/h (mi/h)	5.0 / 8.5 (3.1 / 5.3)
Travel speed, creep	km/h (mi/h)	3 (1.9)
Min. turning radius	m (ft)	7.3 (24)

Swing system

The superstructure is slewed by the means of a radial piston motor without reduction gear.

Automatic slow holding brake and anti-rebound valve are standard.

Max. slew speed	r/min	9
-----------------	-------	---

Brake system

Service brakes: servo-hydraulically manoeuvred self-adjusting wet multidiscs with two separate brake circuits.

Parking brake: negative wet disc in gear housing, spring applied and pressure released.

Digging brake: service brake with mechanical lock system.

Security system: The 2-circuit travel brakes are supplied with two accumulators in the event of failure in the service brake system.

Sound Level

Sound pressure level in cab according to ISO 6396		
L _{pA}	dB	71
External sound level according to ISO 6395 and EU Noise Directive 2000/14/EC		
L _{WA}	dB	100

Hydraulic system

Load sensing hydraulic system with pressure compensated valves. Load independence of movements. Flow sharing feature, combined with a high flow pump (power regulation). The system gives superior manoeuvrability and fast movements, for optimal working result and economy.

The following working modes are included in the system:

Parking mode (P): Parking position for optimal safety.

Travel mode (T): Engine speed is controlled by travel pedal stroke for low fuel consumption and noise.

Working mode (W): Full working flow with adjustable engine rpm for normal working and best speed utilisation.

Customer mode (C): Operator can set proper oil flow in accordance with job conditions.

Power Boost: All digging and lifting forces are increased.

Main pump (type low noise axial piston pump)

Max. flow	l/min (gal/min)	275 (72.6)
-----------	-----------------	------------

Brake + steering pump (type low noise gear pump)

Max. flow	l/min (gal/min)	50 (13.2)
-----------	-----------------	-----------

Attachment circuit

Max. flow	l/min (gal/min)	220 (58.1)
-----------	-----------------	------------

Relief valve setting pressure

Implement	MPa (psi)	32.5 / 36 (4,714 / 5,221)
Travel system	MPa (psi)	36 (5,221)
Pilot system	MPa (psi)	3.5 (508)

Total Machine Weights

Machine with 4.5 m monoblock boom, 2.45 m dipper arm, quickfit S6, 410 kg / 580 l bucket.

With welded radial dozer blade front and outriggers rear

kg (lb)	16,500 (36,376)
---------	-----------------

With welded radial dozer blade rear only

kg (lb)	15,400 (33,951)
---------	-----------------

With bolted dozer blade front and outriggers rear

kg (lb)	17,400 (38,360)
---------	-----------------

With bolted dozer blade rear only

kg (lb)	16,300 (35,935)
---------	-----------------

Machine with 4.7m 2-piece boom, 2.45 m dipper arm, quickfit S6, 410 kg / 580 l bucket.

With welded radial dozer blade front and outriggers rear

kg (lb)	17,000 (37,479)
---------	-----------------

With welded radial dozer blade rear only

kg (lb)	15,900 (35,053)
---------	-----------------

With bolted dozer blade front and outriggers rear

kg (lb)	17,900 (39,463)
---------	-----------------

With bolted dozer blade rear only

kg (lb)	16,800 (37,038)
---------	-----------------

Service Refill

Fuel tank	l (gal)	200 (52.8)
DEF/AdBlue® tank	l (gal)	25 (6.6)
Hydraulic system, total	l (gal)	230 (60.8)
Hydraulic tank	l (gal)	104 (27.5)
Engine oil	l (gal)	16 (4.2)
Engine coolant	l (gal)	32 (8.5)
Transmission	l (gal)	2.5 (0.7)

Axle differential:

Front axle	l (gal)	9.5 (2.5)
Rear axle	l (gal)	12.5 (3.3)
Final drive	l (gal)	4 x 2.5 (4 x 0.7)

Cab

New design Volvo Care Cab with operator protective structure, large and roomy interior. One way travel pedal with rocker switch control (F-N-R) on the right joystick. One-touch release for digging brake pedal.

Audio system with remote control and Bluetooth system for hands free phoning.

Independently adjustable joystick consoles.

Excellent all-round visibility provided by maximized cab class, transparent roof hatch, 2-piece sliding door window and long stroke, easy to adjust and new narrow steering column. The liftable front windshield can easily be stored in the inside roof space and clipped in position. The removable lower front glass can be stored in the side door pocket. Interior lighting consists of one reading light and one light with timer.

The pressurized and filtered cab air is supplied by a 14-vent climate-control providing fast defrosting and high cooling and heating performance. Viscous/spring mounted suspension cushions protect the operator from vibrations.

Deluxe air-suspension seat with adjustable seat suspension, height, tilt, recline and forward-backward settings.(option)

Adjustable, easy to read 8.3" LCD color monitor provides real time information of machine functions and important diagnostic information and is switchable to rear view camera monitor (standard) / side view camera (option). A new multi function button on left hand joystick with programmable function to improve the operator comfort.

Refrigerant of the type R134a is used when this machine is equipped with air conditioning. Contains fluorinated greenhouse gas R134a, Global Warming Potential 1.430 t CO₂-eq.

Volvo EWR170E in detail

Engine

Volvo Construction Equipment is ready to comply with the tough new Tier 4 Final legislation for off-road vehicles with the introduction of a cascade of innovations in its new generation engines with Volvo Advanced Combustion Technology (V-ACT). Volvo machines are equipped with in-line turbo charged diesel engine with common rail injection system. The engine features a externally cooled exhaust gas re-circulation (E-EGR), a Diesel Particulate Filter (DPF) and a Selective Catalytic Reduction (SCR) with AdBlue®.

Engine	Volvo	D4J
Max. power at	r/min (r/s)	2,000 (33.3)
Net (ISO 9249/SAE J1349)	kW (hp)	112 (150)
Gross (ISO 14396/SAE J1995)	kW (hp)	115 (154)
Max. torque	Nm (ft lbf)	618 (456)
at engine speed	r/min (r/s)	1,700 (28.3)
No. of cylinders		4
Displacement	l (in ³)	4.04 (246.5)
Bore	mm (in)	101 (3.98)
Stroke	mm (in)	126 (4.96)

Electrical system

High-capacity electrical system that is well protected. Waterproof double-lock harness plugs are used to secure corrosion-free connections. The main relays and solenoid valves are shielded to prevent damage. The master switch is standard.

Voltage	V	24
Batteries	V	2x12
Battery capacity	Ah	2x100
Alternator	V/Ah	24/120
Alternator rating	W	3,360

Undercarriage

Drive train: A variable axle piston motor in combination with a power shift gearbox supplies 3 speeds. The gearbox distributes the energy via propeller shafts to the axles.

Framework: All-welded robust torsion box frame.

Wheels: Alternative single and twin wheels available.

Front axle: Robust excavator axle with automatic or operator controlled front axle oscillation lock.

Undercarriage available with all possible combinations of bolted outriggers and /or parallel blade.

Oscillating	± °	9
with mudguards	± °	6
Twin wheels	type	10-20
Tractive force (net)	kN (lbf)	111 (24,954)
Travel speed, on road	km/h (mi/h)	20.0/30.0/35.0 (12.4 / 18.6 / 21.7)
Travel speed, off road	km/h (mi/h)	5.0/8.5 (3.1 / 5.3)
Travel speed, creep	km/h (mi/h)	4 (2.5)
Min. turning radius	m (ft)	7.3 (23.95)

Travel speeds may depend on to local regulations

Swing system

The superstructure is slewed by the means of a radial piston motor without reduction gear.

Automatic slow holding brake and anti-rebound valve are standard.

Max. slew speed	r/min	9
-----------------	-------	---

Brake system

Service brakes: servo-hydraulically manoeuvred self-adjusting wet multidiscs with two separate brake circuits.

Parking brake: negative wet disc in gear housing, spring applied and pressure released. Digging brake: service brake with mechanical lock system.

Security system: The 2-circuit travel brakes are supplied with two accumulators in the event of failure in the service brake system.

Sound Level

Sound pressure level in cab according to ISO 6396		
L _{pA} (standard)	dB	71
L _{pA} (tropical)	dB	71
External sound level according to ISO 6395 and EU Noise Directive 2000/14/EC		
L _{WA} (standard)	dB	101
L _{WA} (tropical)	dB	102

Hydraulic system

Load sensing hydraulic system with pressure compensated valves. Load independence of movements. Flow sharing feature, combined with a high flow pump (power regulation). The system gives superior manoeuvrability and fast movements, for optimal working result and economy.

The following working modes are included in the system:

Parking mode (P): Parking position for optimal safety.

Travel mode (T): Engine speed is controlled by travel pedal stroke for low fuel consumption and noise.

Working mode (W): Full working flow with adjustable engine rpm for normal working and best speed utilisation.

Customer mode (C): Operator can set proper oil flow in accordance with job conditions.

Power Boost: All digging and lifting forces are increased.

Main pump (type low noise axial piston pump)

Max. flow	l/min (gal/min)	275 (72.6)
-----------	-----------------	------------

Brake + steering pump (type low noise gear pump)

Max. flow	l/min (gal/min)	50 (13.2)
-----------	-----------------	-----------

Attachment circuit

Max. flow	l/min (gal/min)	240 (63.4)
-----------	-----------------	------------

Relief valve setting pressure

Implement	MPa (psi)	34/37.5 (4,931/5,439)
Travel system	MPa (psi)	37.5 (5,439)
Pilot system	MPa (psi)	3.5 (50.8)

Total Machine Weights

With 5.1 m (16.7ft) 2 piece boom, 2.45 m (8ft) arm , quickcoupler S6 , Mitas 10 twin tires , Bucket 1.05 m (3.4ft) width /0.7m³ (0.92yd³) / 500kg (1,102lb).

With parallel blade front and outriggers rear

kg (lb)	19,200 (42,329)
---------	-----------------

With parallel blade rear only

kg (lb)	17,950 (39,573)
---------	-----------------

Service Refill

Fuel tank	l (gal)	200 (52.8)
DEF/AdBlue® tank	l (gal)	25 (6.6)
Hydraulic system, total	l (gal)	230 (60.8)
Hydraulic tank	l (gal)	104 (27.5)
Engine oil	l (gal)	16 (4.2)
Engine coolant	l (gal)	32 (8.5)
Transmission	l (gal)	2.5 (0.66)

Axle differential:

Front axle	l (gal)	9.5 (2.5)
Rear axle	l (gal)	12.5 (3.3)
Final drive	l (gal)	4x2.5 (4x0.7)

Cab

Audio system with remote control and Bluetooth system for hands free phoning. Independently adjustable joystick consoles.

Excellent all-round visibility provided by maximized cab class, transparent roof hatch, 2-piece sliding door window and long stroke, easy to adjust and narrow steering column. The liftable front windshield can easily be stored in the inside roof space and clipped in position. The removable lower front glass can be stored in the side door pocket. Interior lighting consists of one reading light and one light with timer.

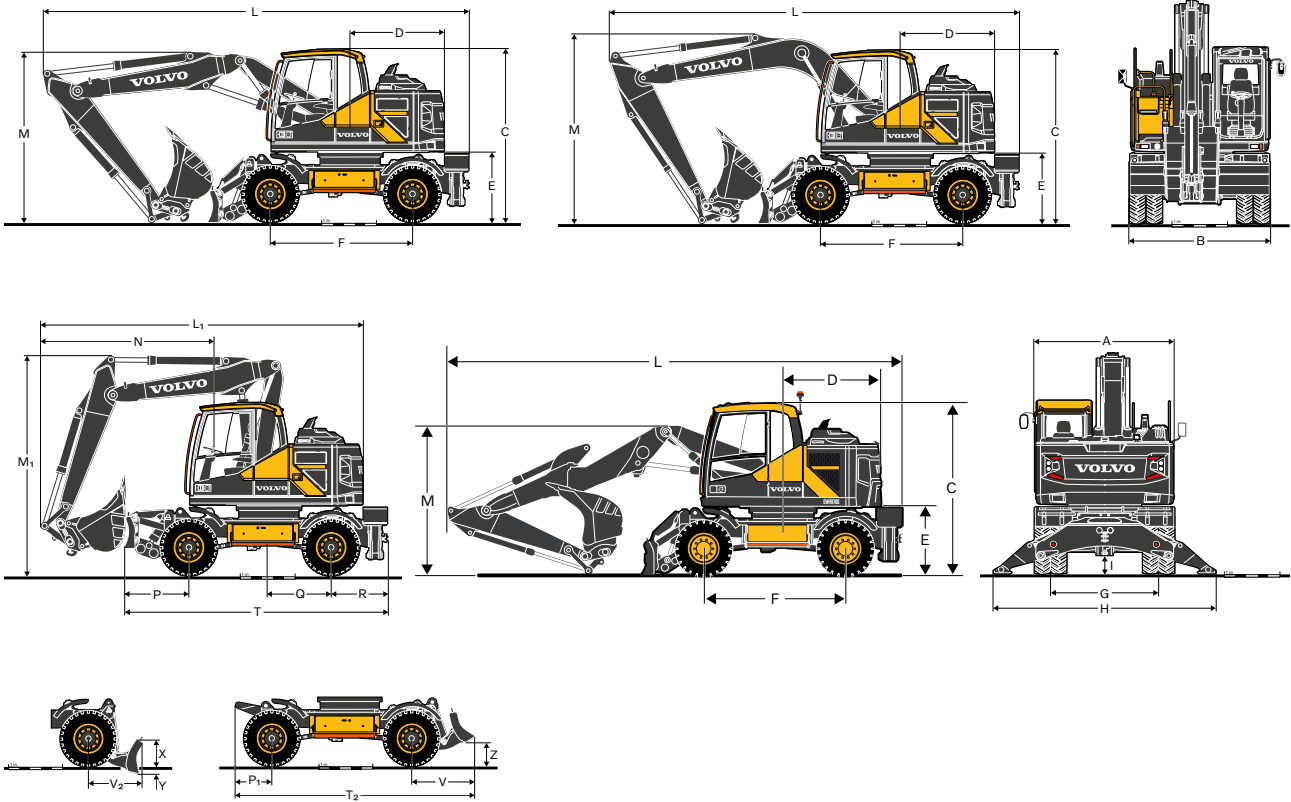
The pressurized and filtered cab air is supplied by a 14-vent climate-control providing fast defrosting and high cooling and heating performance. Viscous/ spring mounted suspension cushions protect the operator from vibrations.

Deluxe air-suspension seat with adjustable seat suspension, height, tilt, recline and forward-backward settings.(option)

Adjustable, easy to read 8.3" LCD color monitor provides real time information of machine functions and important diagnostic information and is switchable to rear view camera monitor(standard) / side view camera (option). A new multi function button on left hand joystick with programmable function to improve the operator comfort.

Refrigerant of the type R134a is used when this machine is equipped with air conditioning. Contains fluorinated greenhouse gas R134a, Global Warming Potential 1.430 t CO₂-eq.

Specifications



DIMENSIONS		EWR150E																
Description	Unit	Mono boom								2-piece boom								
	m, ft in	4.5, 14'9"								4.7, 15'5"								
A	Overall width of superstructure	mm ft in	2,520		8'3"		2,520		8'3"		2,520		8'3"					
B	Overall width	mm ft in	2,540		8'4"		2,540		8'4"		2,540		8'4"					
C	Overall height of cab	mm ft in	3,150		10'4"		3,150		10'4"		3,150		10'4"					
D	Tail slew radius	mm ft in	1,720		5'8"		1,720		5'8"		1,720		5'8"					
E	Counterweight clearance	mm ft in	1,260		4'2"		1,260		4'2"		1,260		4'2"					
F	Wheel base	mm ft in	2,600		8'6"		2,600		8'6"		2,600		8'6"					
G	Tread	mm ft in	1,940		6'4"		1,940		6'4"		1,940		6'4"					
H	Outrigger width (front or rear)	mm ft in	3,990		13'1"		3,990		13'1"		3,990		13'1"					
I	Min. ground clearance	mm ft in	340		1'1"		340		1'1"		340		1'1"					
Description	Unit	Mono,boom								2-piece,boom								
	m, ft in	4.5, 14'9"								4.7, 15'5"								
	m ft in	Arm				Arm				Arm				Arm				
L	Overall length	mm ft in	2.0	6'7"	2.45	8'0"	2.6	8'6"	3.1	10'2"	2.0	6'7"	2.45	8'0"	2.6	8'6"	3.1	10'2"
M	Overall height of boom	mm ft in	2,950	9'8"	3,330	10'11"	3,320	10'11"	3,320	10'11"	2,730	8'11"	3,080	10'1"	3,040	9'12"	3,420	11'3"
L1	Overall length	mm ft in	-	-	-	-	-	-	-	6,460	21'2"	6,570	21'7"	6,610	21'8"	5,740*	18'10"	
M1	Overall height of boom	mm ft in	-	-	-	-	-	-	-	3,960	12'12"	3,970	13'0"	3,970	13'0"	3,980**	13'1"	
N	Front overhang	mm ft in	-	-	-	-	-	-	-	3,050	10'0"	3,150	10'4"	3,190	10'6"	2,330**	7'8"	

** without bucket

DIMENSIONS			EWR170E							
Description	Unit		2 piece boom						2-piece offset boom	
	m, ft in		5.1, 16'9"						5.2, 17'1"	
A	Overall width of superstructure	mm ft in	2,520			8'3"			2,520 8'3"	
B	Overall width	mm ft in	2,540			8'4"			2,540 8'4"	
C	Overall height of cab	mm ft in	3,150			10'4"			3,150 10'4"	
D	Tail slew radius	mm ft in	1,790			5'10"			1,790 5'10"	
E	Counterweight clearance	mm ft in	1,260			4'2"			1,260 4'2"	
F	Wheel base	mm ft in	2,600			8'6"			2,600 8'6"	
G	Tread	mm ft in	1,940			6'4"			1,940 6'4"	
H	Outrigger width (front or rear)	mm ft in	3,990			13'1"			3,990 13'1"	
I	Min. ground clearance	mm ft in	340			1'1"			340 1'1"	

Description	Unit		2-piece boom								2-piece offset boom					
	m, ft in		5.1, 16'9"								5.2, 17'1"					
			Arm						Grab arm		Arm					
	m	ft in	2.0	6'7"	2.45	8'0"	2.6	8'6"	3.1	10'2"	2.95	9'8"	2.0	6'7"	2.45	8'0"
L	Overall length	mm ft in	8,320	27'4"	8,340	27'4"	8,340	27'4"	8,260	27'1"	8,330	27'4"	8,340	27'4"	8,370	27'6"
M	Overall height of boom	mm ft in	2,720	8'11"	2,840	9'4"	2,890	9'6"	3,250	10'8"	2,960	9'9"	2,730	8'11"	2,790	9'2"
L1	Overall length	mm ft in	6,490	21'4"	6,510	21'4"	6,560	21'6"	6,250**	20'6"***	6,340**	20'10"***	6,540	21'5"	6,540	21'5"
M1	Overall height of boom	mm ft in	4,000	13'1"	4,000	13'1"	4,000	13'1"	4,000**	13'1"***	4,000	13'1"	4,000	13'1"	4,000	13'1"
N	Front overhang	mm ft in	3,090	10'2"	3,110	10'2"	3,160	10'4"	2,850**	9'4"***	2,900**	9'6"***	3,140	10'4"	3,140	10'4"

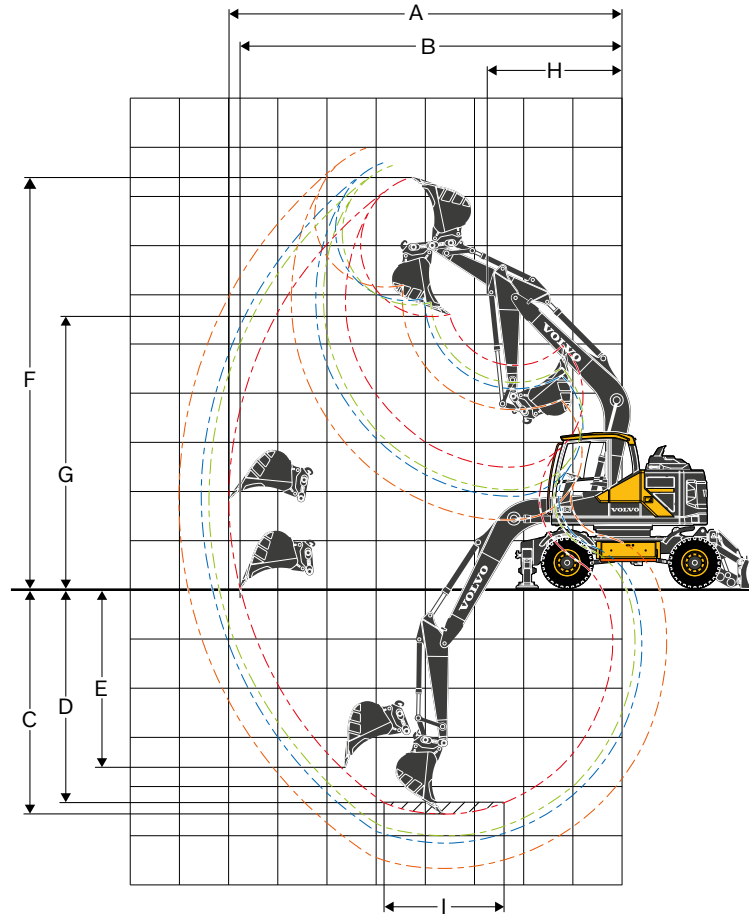
** without bucket

UNDERCARRIAGE DIMENSIONS

Description	Unit		EWR150E				EWR170E			
			Bolted undercarriage with parallel blade		Welded undercarriage with radial blade		Bolted undercarriage with parallel blade			
P	mm	ft in	1,180	3'10"	1,150	3'9"	1,180	3'10"		
P1	mm	ft in	750	2'6"	675	2'3"	750	2'6"		
Q	mm	ft in	1,150	3'9"	1,150	3'9"	1,150	3'9"		
R	mm	ft in	1,030	3'5"	1,030	3'5"	1,030	3'5"		
T	mm	ft in	4,810	15'9"	4,790	15'9"	4,810	15'9"		
T2	mm	ft in	4,470	14'8"	4,440	14'7"	4,470	14'8"		
V	mm	ft in	1,120	3'8"	1,160	3'10"	1,120	3'8"		
V2	mm	ft in	920	3'0"	940	3'1"	920	3'0"		
X	mm	ft in	450	1'6"	460	1'6"	450	1'6"		
Y	mm	ft in	150	0'6"	180	0'7"	150	0'6"		
Z	mm	ft in	520	1'8"	400	1'4"	520	1'8"		

Specifications

EWR150E



WORKING RANGES WITH DIRECT FIT BUCKET

		4.5 m, 14'9" mono boom EWR150E									
		Unit		Arm							
		m	ft in	2.0	6'7"	2.45	8'0"	2.6	8'6"	3.1	10'2"
A	Max. digging reach	mm	ft in	7,980	26'2"	8,400	27'7"	8,540	28'0"	9,010	29'7"
B	Max. digging reach on ground	mm	ft in	7,770	25'6"	8,200	26'11"	8,340	27'4"	8,820	28'11"
C	Max. digging depth	mm	ft in	4,610	15'1"	5,070	16'8"	5,210	17'1"	5,710	18'9"
D	Max. digging depth (l = 2.44 m, 8'0" level)	mm	ft in	4,380	14'4"	4,870	15'12"	5,050	16'7"	5,550	18'3"
E	Max. vertical wall digging depth	mm	ft in	3,670	12'0"	4,100	13'5"	4,250	13'11"	4,770	15'8"
F	Max. cutting height	mm	ft in	8,320	27'4"	8,560	28'1"	8,640	28'4"	8,910	29'3"
G	Max. dumping height	mm	ft in	5,500	18'1"	5,740	18'10"	5,820	19'1"	6,090	19'12"
H	Min. front slew radius	mm	ft in	2,740	8'12"	2,740	8'12"	2,750	9'0"	2,730	8'11"

DIGGING FORCES WITH DIRECT FIT BUCKET

Breakout force - bucket (ISO)	kN	lbf	108.5*	24,392*	108.5*	24,392*	108.5*	24,392*	108.5*	24,392*
Tearout force (ISO)	kN	lbf	73*	16,411*	63.5*	14,275*	61*	13,713*	53.5*	12,027*

Max. recommended sizes for direct fit buckets

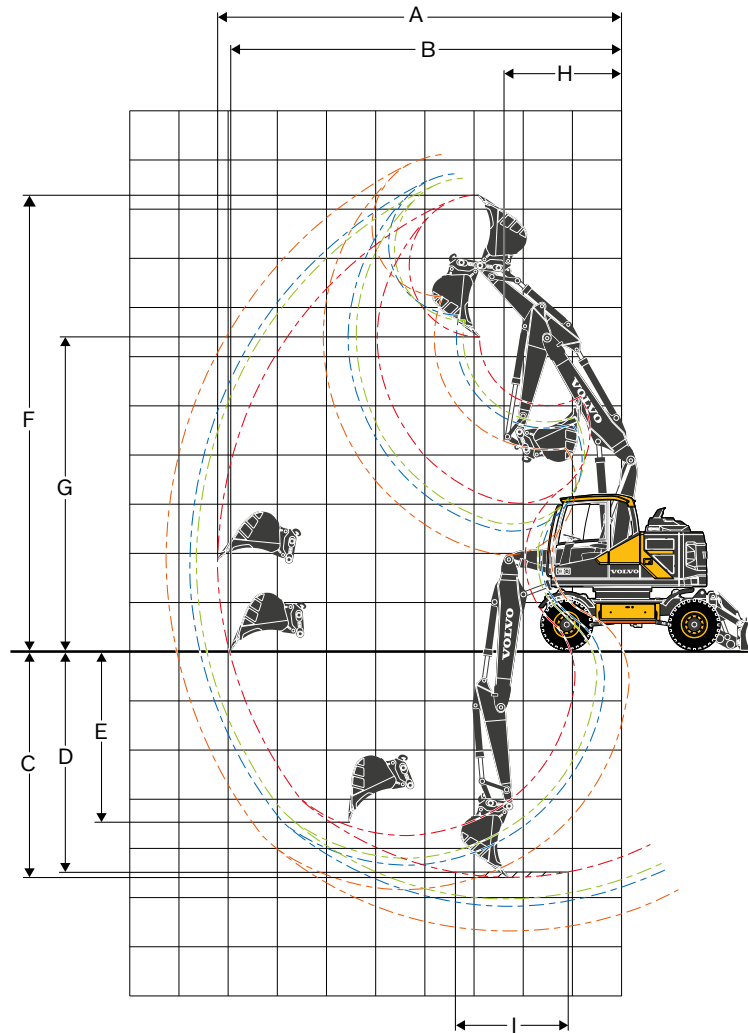
GP-Bucket (1.8 t/m ³ 3,034 lb/yd ³)	l	gal	730	193	730	193	730	193	730	193
--	---	-----	-----	-----	-----	-----	-----	-----	-----	-----

Max. recommended sizes for quick fit buckets

S6/S60 QF GP-Bucket (1.8 t/m ³ 3,034 lb/yd ³)	l	gal	730	193	730	193	730	193	730	193
S6 QF HD-Bucket (2.1 t/m ³ 3,540 lb/yd ³)	l	gal	520	137	520	137	520	137	520	137
UQF GP-Bucket (1.8 t/m ³ 3,034 lb/yd ³)	l	gal	730	193	730	193	730	193	660	174

*with Power boost

Note: 1. Bucket size based on SAE-J296, heaped material with a 1:1 angle of repose. 2. "Max permitted sizes" are for reference only and are not necessarily available from the factory.



WORKING RANGES WITH DIRECT FIT BUCKET

		Unit		4.7 m, 15'5" 2-piece boom EWR150E							
				Arm							
		m	ft in	2.0	6'7"	2.45	8'0"	2.6	8'6"	3.1	10'2"
A	Max. digging reach	mm	ft in	8,240	27'0"	8,670	28'5"	8,810	28'11"	9,300	30'6"
B	Max. digging reach on ground	mm	ft in	8,040	26'5"	8,470	27'9"	8,620	28'3"	9,110	29'11"
C	Max. digging depth	mm	ft in	4,650	15'3"	5,100	16'9"	5,240	17'2"	5,740	18'10"
D	Max. digging depth (l = 2.44 m, 8'0" level)	mm	ft in	4,530	14'10"	5,000	16'5"	5,140	16'10"	5,640	18'6"
E	Max. vertical wall digging depth	mm	ft in	3,520	11'7"	4,000	13'1"	4,100	13'5"	4,600	15'1"
F	Max. cutting height	mm	ft in	9,220	30'3"	9,560	31'4"	9,670	31'9"	10,030	32'11"
G	Max. dumping height	mm	ft in	6,340	20'10"	6,670	21'11"	6,780	22'3"	7,150	23'5"
H	Min. front slew radius	mm	ft in	2,440	8'0"	2,560	8'5"	2,600	8'6"	2,740	8'12"

DIGGING FORCES WITH DIRECT FIT BUCKET

Breakout force (bucket) (ISO)	kN	lbf	108.5*	24,392*	108.5*	24,392*	108.5*	24,392*	108.5*	24,392*
Tearout force (ISO)	kN	lbf	73*	16,411*	63.5*	14,275*	61*	13,713*	53.5*	12,027*

Max. recommended sizes for direct fit buckets

GP-Bucket (1.8 t/m ³ 3,034 lb/yd ³)	l	gal	730	193	730	193	730	193	730	193
--	---	-----	-----	-----	-----	-----	-----	-----	-----	-----

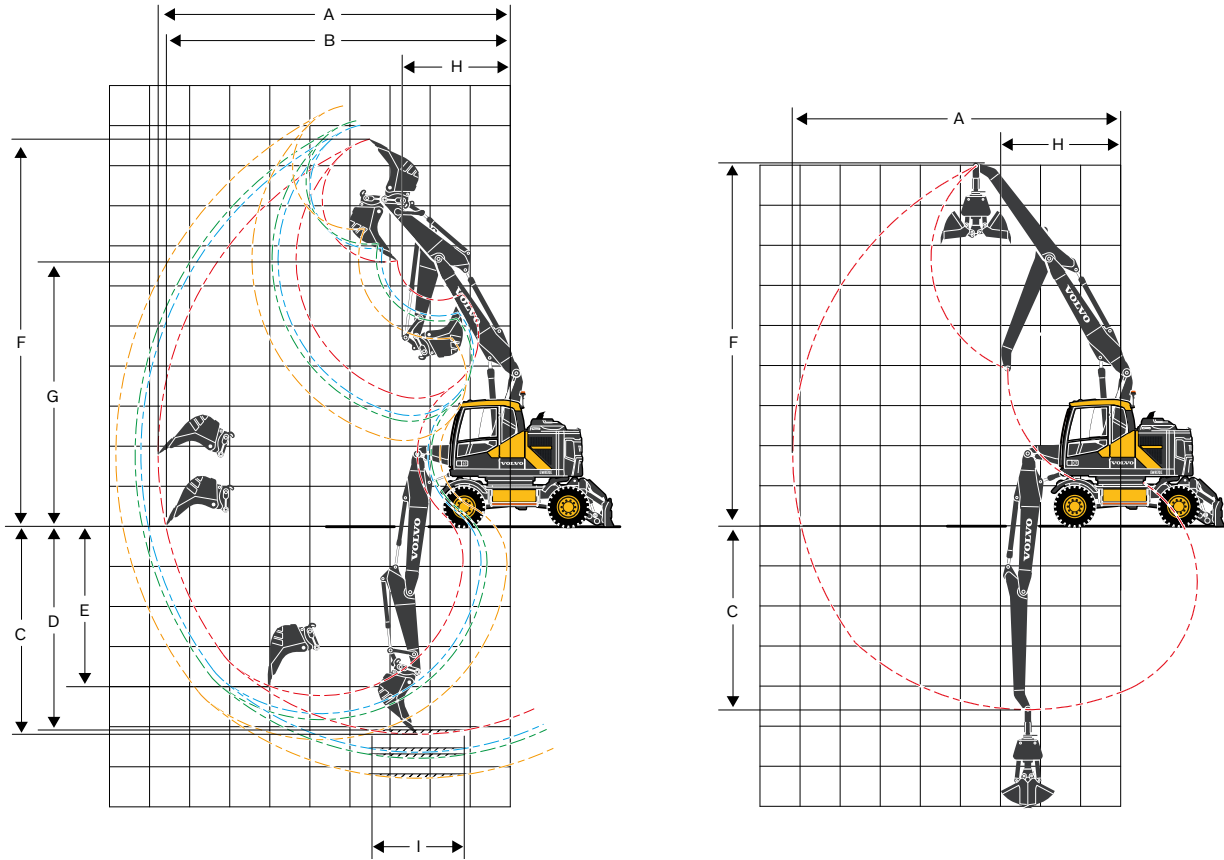
Max. recommended sizes for quick fit buckets

S6/S60 QF GP-Bucket (1.8 t/m ³ 3,034 lb/yd ³)	l	gal	730	193	730	193	730	193	580	153
S6 QF HD-Bucket (2.1 t/m ³ 3,540 lb/yd ³)	l	gal	520	137	520	137	520	137	520	137
S1 QF GP-Bucket (1.8 t/m ³ 3,034 lb/yd ³)	l	gal	730	193	730	193	730	193	580	153

Note: 1. Bucket size based on SAE-J296, heaped material with a 1:1 angle of repose. | 2. "Max permitted sizes" are for reference only and are not necessarily available from the factory. | 3. "Max permitted sizes" are for heavy counterweight.

Specifications

EWR170E



WORKING RANGES WITH DIRECT FIT BUCKET

		5.1 m, 16'9" 2-piece boom EWR170E											
		Unit		Arm								Grab arm	
		m	ft in	2.0	6'7"	2.45	8'0"	2.6	8'6"	3.1	10'2"	2.95*	9'8"*
A	Max. digging reach	mm	ft in	8,780	28'10"	9,210	30'3"	9,360	30'9"	9,840	32'3"	8,190	26'10"
B	Max. digging reach on ground	mm	ft in	8,590	28'2"	9,030	29'8"	9,180	30'1"	9,670	31'9"	-	-
C	Max. digging depth	mm	ft in	5,190	17'0"	5,640	18'6"	5,790	18'12"	6,290	20'8"	4,590	15'1"
D	Max. digging depth (l = 2.44 m, 8'0" level)	mm	ft in	5,080	16'8"	5,540	18'2"	5,690	18'8"	6,190	20'4"	-	-
E	Max. vertical wall digging depth	mm	ft in	4,000	13'1"	4,520	14'10"	4,680	15'4"	5,160	16'11"	-	-
F	Max. cutting height	mm	ft in	9,660	31'8"	10,010	32'10"	10,120	33'2"	10,490	34'5"	8,990	29'6"
G	Max. dumping height	mm	ft in	6,600	21'8"	6,930	22'9"	7,040	23'1"	7,410	24'4"	-	-
H	Min. front slew radius	mm	ft in	2,700	8'10"	2,820	9'3"	2,860	9'5"	3,000	9'10"	3,010	9'11"

* without clamshell bucket

DIGGING FORCES WITH DIRECT FIT BUCKET

Breakout force (bucket) (ISO)	kN	lbf	126*	28,326*	126*	28,326*	126*	28,326*	126*	28,326*	-	-
Tearout force (ISO)	kN	lbf	98*	22,031*	86*	19,334*	82*	18,434*	72*	16,186*	-	-

* with powerboost

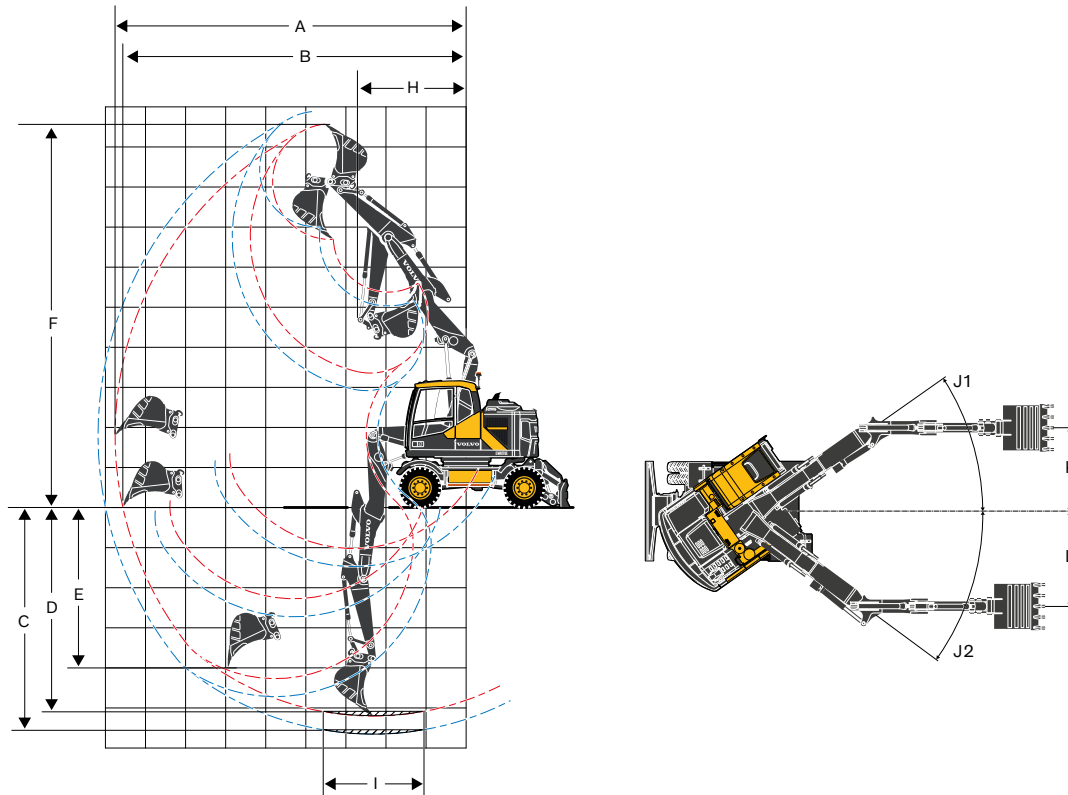
Max. recommended sizes for direct fit buckets

GP-Bucket (1.8 t/m ³ 3,034 lb/yd ³)	l	gal	957	253	957	253	858	227	770	203	-	-
HD-Bucket (2.1 t/m ³ 3,540 lb/yd ³)	l	gal	770	203	770	203	770	203	682	180	-	-

Max. recommended sizes for quick fit buckets

S6/S60 QF GP-Bucket (1.8 t/m ³ 3,034 lb/yd ³)	l	gal	870	230	780	206	780	206	-	-	-	-
S6 QF HD-Bucket (2.1 t/m ³ 3,540 lb/yd ³)	l	gal	700	185	620	164	620	164	500	132	-	-
S1 QF GP-Bucket (1.8 t/m ³ 3,034 lb/yd ³)	l	gal	870	230	700	185	700	185	620	164	-	-
S1 QF HD-Bucket (2.1 t/m ³ 3,540 lb/yd ³)	l	gal	700	185	620	164	620	164	360	95	-	-

Note: 1. Bucket size based on SAE-J296, heaped material with a 1:1 angle of repose. | 2. "Max permitted sizes" are for reference only and are not necessarily available from the factory. | 3. "Max permitted sizes" are for heavy counterweight.



WORKING RANGES WITH DIRECT FIT BUCKET

		Unit		5.2 m, 17'1" 2-piece offset boom EWR170E			
				Arm			
		m	ft in	2.0	6'7"	2.45	8'0"
A	Max. digging reach	mm	ft in	8,760	28'9"	9180	30'1"
B	Max. digging reach on ground	mm	ft in	8,560	28'1"	9,000	29'6"
C	Max. digging depth	mm	ft in	5,210	17'1"	5,660	18'7"
	Max. digging depth at max. attachment offset with vertical trench walls	mm	ft in	2,280	7'6"	2,730	8'11"
	Min. digging depth at max. attachment offset with vertical trench walls	mm	ft in	1,030	3'5"	1,480	4'10"
D	Max. digging depth (l=2.44m, 8'0" level)	mm	ft in	5,100	16'9"	5,560	18'3"
E	Max. vertical wall digging depth	mm	ft in	3980	13'1"	4,410	14'6"
F	Max. cutting height	mm	ft in	9,560	31'4"	9,880	32'5"
G	Max. dumping height	mm	ft in	6,690	21'11"	7,000	22'12"
H	Min. front swing radius	mm	ft in	2,710	8'11"	2,820	9'3"
J1					35		35
J2					36		36
K		mm	ft in	2,120	6'11"	2,120	6'11"
L		mm	ft in	2,430	7'12"	2,430	7'12"

DIGGING FORCES WITH DIRECT FIT BUCKET

Breakout force (bucket) (ISO)	kN	lbf	108*	24,279*	108*	24,279*
Tearout force (ISO)	kN	lbf	73*	16,411*	63.5*	14,275*

* with powerboost

Max. recommended sizes for direct fit buckets

GP-Bucket (1.8 t/m ³ 3,034 lb/yd ³)	l	gal	780	206	780	206
HD-Bucket (2.1 t/m ³ 3,540 lb/yd ³)	l	gal	620	164	620	164

Max. recommended sizes for quick fit buckets

S6/S60 QF GP-Bucket (1.8 t/m ³ 3,034 lb/yd ³)	l	gal	780	206	700	185
S6 QF HD-Bucket (2.1 t/m ³ 3,540 lb/yd ³)	l	gal	620	164	500	132
S1 QF GP-Bucket (1.8 t/m ³ 3,034 lb/yd ³)	l	gal	620	164	620	164
S1 QF HD-Bucket (2.1 t/m ³ 3,540 lb/yd ³)	l	gal	620	164	500	132

Note: 1. Bucket size based on SAE-J296, heaped material with a 1:1 angle of repose. 2. "Max permitted sizes" are for reference only and are not necessarily available from the factory.

Specifications

EWR150E

LIFTING CAPACITY EWR150E - Welded undercarriage

At the arm end, without bucket and quick fit. For lifting capacity including bucket/quick fit, simply subtract actual weight of those parts from the following values. With heavy counterweight. **Unit: ● 1,000 kg / ■ 1,000 lb**

Notes: 1. Working pressure with Power Boost = 37.5 MPa / 5,440 psi. 2. The above values are in compliance with ISO standard 10 567. They do not exceed 87 % of hydraulic lifting capacity or 75 % of tipping load, with the machine on firm, level ground. 3. Load capacities marked with an asterisk (*) are limited by machine's hydraulic lifting capacity rather than tipping load.

	Lifting point	Reach from machine centre (u = support up/d = support down)																					
		1.5 m, 5 ft				3.0 m, 10 ft				4.5 m, 15 ft				6.0 m, 20 ft				Max.					
		Across UC		Along UC		Across UC		Along UC		Across UC		Along UC		Across UC		Along UC		Across UC		Along UC		Max.	
		u	d	u	d	u	d	u	d	u	d	u	d	u	d	u	d	u	d	u	d		
4.5 m, 14'9" mono boom 2.0 m, 6'7" dipper arm Front radial blade Rear outriggers	7.5 m	●	-	-	-	-	-	-	-	-	-	-	-	-	-	-	-	-	-	-	-	-	
	25 ft	■	-	-	-	-	-	-	-	-	-	-	-	-	-	-	-	-	-	-	-	-	
	6 m	●	-	-	-	-	-	-	-	3.8	4.1*	4.1*	4.1*	-	-	-	-	3.3	3.4*	3.4*	3.4*	4.9 m	
	20 ft	■	-	-	-	-	-	-	-	8.4	*9.0	*9.0	*9.0	-	-	-	-	7.3	*7.5	*7.5	*7.5	16.1 ft	
	4.5 m	●	-	-	-	-	-	-	-	3.7	4.4*	4.4*	4.4*	-	-	-	-	2.4	3.2*	3.2*	3.2*	5.9 m	
	15 ft	■	-	-	-	-	-	-	-	8.2	*9.7	*9.7	*9.7	-	-	-	-	5.3	*7.1	*7.1	*7.1	19.4 ft	
	3 m	●	-	-	-	-	6.3	8.0*	8.0*	8.0*	3.5	5.3*	5.3*	5.3*	2.3	4.0	3.7	4.3*	2.1	3.3*	3.3*	3.3*	6.4 m
	10 ft	■	-	-	-	-	13.9	*17.6	*17.6	*17.6	7.7	*11.7	*11.7	*11.7	5.1	8.8	8.2	*9.5	4.6	*7.3	*7.3	*7.3	21.0 ft
	1.5 m	●	-	-	-	-	-	-	-	-	3.3	6.0	5.6	6.2*	2.2	3.9	3.7	4.7*	2.0	3.4	3.2	3.6*	6.5 m
	5 ft	■	-	-	-	-	-	-	-	-	7.3	13.2	12.3	*13.7	4.9	8.6	8.2	*10.4	4.4	7.5	7.1	*7.9	21.3 ft
	0 m	●	-	-	-	-	5.7	7.0*	7.0*	7.0*	3.2	5.8	5.5	6.6*	2.2	3.8	3.6	4.8*	2.1	3.6	3.4	4.2*	6.3 m
	0 ft	■	-	-	-	-	12.6	*15.4	*15.4	*15.4	7.1	12.8	12.1	*14.6	4.9	8.4	7.9	*10.6	4.6	7.9	7.5	*9.3	20.7 ft
	-1.5 m	●	-	-	-	-	5.8	9.3*	9.3*	9.3*	3.2	5.8	5.5	6.3*	-	-	-	-	2.4	4.2	4.0	4.8*	5.6 m
	-5 ft	■	-	-	-	-	12.8	*20.5	*20.5	*20.5	7.1	12.8	12.1	*13.9	-	-	-	-	5.3	9.3	8.8	*10.6	18.4 ft
-3 m	●	-	-	-	-	5.9	7.0*	7.0*	7.0*	-	-	-	-	-	-	-	-	3.5	4.7*	4.7*	4.7*	4.3 m	
-10 ft	■	-	-	-	-	13.0	*15.4	*15.4	*15.4	-	-	-	-	-	-	-	-	7.7	*10.4	*10.4	*10.4	14.1 ft	
4.5 m, 14'9" mono boom 2.45 m, 8'0" dipper arm Front radial blade Rear outriggers	6 m	●	-	-	-	-	-	-	-	-	-	-	-	-	-	-	-	-	2.7*	2.7*	2.7*	2.7*	5.5 m
	20 ft	■	-	-	-	-	-	-	-	-	-	-	-	-	-	-	-	-	*6.0	*6.0	*6.0	*6.0	18.0 ft
	4.5 m	●	-	-	-	-	-	-	-	3.8	3.9*	3.9*	3.9*	2.4	3.7*	3.7*	3.7*	2.2	2.6*	2.6*	2.6*	6.4 m	
	15 ft	■	-	-	-	-	-	-	-	8.4	*8.6	*8.6	*8.6	5.3	*8.2	*8.2	*8.2	4.9	*5.7	*5.7	*5.7	21.0 ft	
	3 m	●	-	-	-	-	6.5	7.0*	7.0*	7.0*	3.6	4.9*	4.9*	4.9*	2.3	4.0	3.8	4.1*	1.9	2.6*	2.6*	2.6*	6.8 m
	10 ft	■	-	-	-	-	14.3	*15.4	*15.4	*15.4	7.9	*10.8	*10.8	*10.8	5.1	8.8	8.4	*9.0	4.2	*5.7	*5.7	*5.7	22.3 ft
	1.5 m	●	-	-	-	-	5.9	6.8*	6.8*	6.8*	3.4	5.9*	5.6	5.9*	2.2	3.9	3.7	4.5*	1.8	2.8*	2.8*	2.8*	6.9 m
	5 ft	■	-	-	-	-	13.0	*15.0	*15.0	*15.0	7.5	*13.0	12.3	*13.0	4.9	8.6	8.2	*9.9	4.0	*6.2	*6.2	*6.2	22.6 ft
	0 m	●	-	-	-	-	5.7	7.2*	7.2*	7.2*	3.2	5.8	5.5	6.5*	2.2	3.8	3.6	4.8*	1.9	3.2*	3.1	3.2*	6.7 m
	0 ft	■	-	-	-	-	12.6	*15.9	*15.9	*15.9	7.1	12.8	12.1	*14.3	4.9	8.4	7.9	*10.6	4.2	*7.1	6.8	*7.1	22.0 ft
	-1.5 m	●	5.8*	5.8*	5.8*	5.8*	5.7	9.7*	9.7*	9.7*	3.2	5.8	5.4	6.4*	2.2	3.8	3.6	4.5*	2.1	3.7	3.5	4.1*	6.1 m
	-5 ft	■	*12.8	*12.8	*12.8	*12.8	12.6	*21.4	*21.4	*21.4	7.1	12.8	11.9	*14.1	4.9	8.4	7.9	*9.9	4.6	8.2	7.7	*9.0	20.0 ft
	-3 m	●	-	-	-	-	5.8	8.0*	8.0*	8.0*	3.2	5.3*	5.3*	5.3*	-	-	-	-	2.9	4.6*	4.6*	4.6*	4.9 m
	-10 ft	■	-	-	-	-	12.8	*17.6	*17.6	*17.6	7.1	*11.7	*11.7	*11.7	-	-	-	-	6.4	*10.1	*10.1	*10.1	16.1 ft
-4.5 m	●	-	-	-	-	-	-	-	-	-	-	-	-	-	-	-	-	-	-	-	-	-	
-15 ft	■	-	-	-	-	-	-	-	-	-	-	-	-	-	-	-	-	-	-	-	-	-	
4.5 m, 14'9" mono boom 2.6 m, 8'6" dipper arm Front radial blade Rear outriggers	6 m	●	-	-	-	-	-	-	-	-	-	-	-	-	-	-	-	-	2.5*	2.5*	2.5*	2.5*	5.6 m
	20 ft	■	-	-	-	-	-	-	-	-	-	-	-	-	-	-	-	-	*5.5	*5.5	*5.5	*5.5	18.4 ft
	4.5 m	●	-	-	-	-	-	-	-	3.8*	3.8*	3.8*	3.8*	2.4	3.7*	3.7*	3.7*	2.1	2.4*	2.4*	2.4*	6.5 m	
	15 ft	■	-	-	-	-	-	-	-	*8.4	*8.4	*8.4	*8.4	5.3	*8.2	*8.2	*8.2	4.6	*5.3	*5.3	*5.3	21.3 ft	
	3 m	●	-	-	-	-	6.5	6.7*	6.6*	6.7*	3.6	4.7*	4.7*	4.7*	2.3	4.0	3.8	4.0*	1.8	2.4*	2.4*	2.4*	7.0 m
	10 ft	■	-	-	-	-	14.3	*14.8	*14.6	*14.8	7.9	*10.4	*10.4	*10.4	5.1	8.8	8.4	*8.8	4.0	*5.3	*5.3	*5.3	23.0 ft
	1.5 m	●	-	-	-	-	5.9	7.7*	7.8*	7.7*	3.3	5.8*	5.6	5.8*	2.2	3.9	3.6	4.4*	1.8	2.6*	2.6*	2.6*	7.1 m
	5 ft	■	-	-	-	-	13.0	*17.0	*17.2	*17.0	7.3	*12.8	12.3	*12.8	4.9	8.6	7.9	*9.7	4.0	*5.7	*5.7	*5.7	23.3 ft
	0 m	●	-	-	-	-	5.7	7.3*	7.4*	7.3*	3.2	5.8	5.4	6.5*	2.1	3.8	3.6	4.8*	1.8	3.0*	2.9	3.0*	6.9 m
	0 ft	■	-	-	-	-	12.6	*16.1	*16.3	*16.1	7.1	12.8	11.9	*14.3	4.6	8.4	7.9	*10.6	4.0	*6.6	6.4	*6.6	22.6 ft
	-1.5 m	●	5.6*	5.6*	5.6*	5.6*	5.6	9.9*	9.8*	9.9*	3.1	5.7	5.4	6.5*	2.1	3.8	3.5	4.6*	2.0	3.6	3.3	3.8*	6.2 m
	-5 ft	■	*12.3	*12.3	*12.3	*12.3	12.3	*21.8	*21.6	*21.8	6.8	12.6	11.9	*14.3	4.6	8.4	7.7	*10.1	4.4	7.9	7.3	*8.4	20.3 ft
	-3 m	●	-	-	-	-	5.7	8.2*	8.2*	8.2*	3.2	5.5*	5.4	5.5*	-	-	-	-	2.7	4.5*	4.5*	4.5*	5.1 m
	-10 ft	■	-	-	-	-	12.6	*18.1	*18.1	*18.1	7.1	*12.1	11.9	*12.1	-	-	-	-	6.0	*9.9	*9.9	*9.9	16.7 ft
-4.5 m	●	-	-	-	-	-	-	-	-	-	-	-	-	-	-	-	-	-	-	-	-	-	
-15 ft	■	-	-	-	-	-	-	-	-	-	-	-	-	-	-	-	-	-	-	-	-	-	

LIFTING CAPACITY EWR150E - Welded undercarriage

At the arm end, without bucket and quick fit. For lifting capacity including bucket/quick fit, simply subtract actual weight of those parts from the following values. With heavy counterweight. **Unit: ● 1,000 kg / ■ 1,000 lb**

Notes: 1. Working pressure with Power Boost = 37.5 MPa / 5,440 psi. 2. The above values are in compliance with ISO standard 10 567. They do not exceed 87 % of hydraulic lifting capacity or 75 % of tipping load, with the machine on firm, level ground. 3. Load capacities marked with an asterisk (*) are limited by machine's hydraulic lifting capacity rather than tipping load.

	Lifting point	Reach from machine centre (u = support up/d = support down)																					
		1.5 m, 5 ft				3.0 m, 10 ft				4.5 m, 15 ft				6.0 m, 20 ft				Max.					
		Across UC		Along UC		Across UC		Along UC		Across UC		Along UC		Across UC		Along UC		Across UC		Along UC		Max.	
		u	d	u	d	u	d	u	d	u	d	u	d	u	d	u	d	u	d	u	d		
4.5 m, 14'9" mono boom 2.0 m, 6'7" dipper arm Radial Blade Rear	7.5 m	●	-	-	-	-	-	-	-	-	-	-	-	-	-	-	-	-	-	-	-	-	
	25 ft	■	-	-	-	-	-	-	-	-	-	-	-	-	-	-	-	-	-	-	-	-	
	6 m	●	-	-	-	-	-	-	-	3.6	4.1	4.1*	4.1*	-	-	-	-	3.1	3.4*	3.4*	3.4*	4.9 m	
	20 ft	■	-	-	-	-	-	-	7.9	9.0	*9.0	*9.0	-	-	-	-	6.8	*7.5	*7.5	*7.5	16.1 ft		
	4.5 m	●	-	-	-	-	-	-	3.5	4.0	4.4*	4.4*	-	-	-	-	2.3	2.6	3.2*	3.2*	5.9 m		
	15 ft	■	-	-	-	-	-	-	7.7	8.8	*9.7	*9.7	-	-	-	-	5.1	5.7	*7.1	*7.1	19.4 ft		
	3 m	●	-	-	-	-	6.0	7.0	8.0*	8.0*	3.3	3.8	5.3*	5.3*	2.2	2.5	3.6	4.3*	2.0	2.3	3.3	3.3*	6.4 m
	10 ft	■	-	-	-	-	13.2	15.4	*17.6	*17.6	7.3	8.4	*11.7	*11.7	4.9	5.5	7.9	*9.5	4.4	5.1	7.3	*7.3	21.0 ft
	1.5 m	●	-	-	-	-	-	-	-	-	3.1	3.6	5.4	6.2*	2.1	2.4	3.5	4.7*	1.9	2.1	3.1	3.6*	6.5 m
	5 ft	■	-	-	-	-	-	-	-	6.8	7.9	11.9	*13.7	4.6	5.3	7.7	*10.4	4.2	4.6	6.8	*7.9	21.3 ft	
	0 m	●	-	-	-	-	5.4	6.4	7.0*	7.0*	3.0	3.5	5.3	6.6*	2.1	2.4	3.5	4.8*	1.9	2.2	3.3	4.2*	6.3 m
	0 ft	■	-	-	-	-	11.9	14.1	*15.4	*15.4	6.6	7.7	11.7	*14.6	4.6	5.3	7.7	*10.6	4.2	4.9	7.3	*9.3	20.7 ft
	-1.5 m	●	-	-	-	-	5.4	6.4	9.3*	9.3*	3.0	3.5	5.3	6.3*	-	-	-	-	2.3	2.6	3.8	4.7*	5.6 m
	-5 ft	■	-	-	-	-	11.9	14.1	*20.5	*20.5	6.6	7.7	11.7	*13.9	-	-	-	-	5.1	5.7	8.4	*10.4	18.4 ft
-3 m	●	-	-	-	-	5.6	6.6	7.0*	7.0*	-	-	-	-	-	-	-	-	3.3	3.8	4.7*	4.7*	4.3 m	
-10 ft	■	-	-	-	-	12.3	14.6	*15.4	*15.4	-	-	-	-	-	-	-	-	7.3	8.4	*10.4	*10.4	14.1 ft	
4.5 m, 14'9" mono boom 2.45 m, 8'0" dipper arm Radial Blade Rear	6 m	●	-	-	-	-	-	-	-	-	-	-	-	-	-	-	-	2.7	2.7*	2.7*	2.7*	5.5 m	
	20 ft	■	-	-	-	-	-	-	-	-	-	-	-	-	-	-	-	6.0	*6.0	*6.0	*6.0	18.0 ft	
	4.5 m	●	-	-	-	-	-	-	-	3.6	3.9*	3.9*	3.9*	2.3	2.6	3.7*	3.7*	2.0	2.3	2.6*	2.6*	6.4 m	
	15 ft	■	-	-	-	-	-	-	7.9	*8.6	*8.6	*8.6	5.1	5.7	*8.2	*8.2	4.4	5.1	*5.7	*5.7	21.0 ft		
	3 m	●	-	-	-	-	6.2	7.0*	7.0*	7.0*	3.4	3.9	4.9*	4.9*	2.2	2.5	3.6	4.1*	1.8	2.0	2.6*	2.6*	6.8 m
	10 ft	■	-	-	-	-	13.7	*15.4	*15.4	*15.4	7.5	8.6	*10.8	*10.8	4.9	5.5	7.9	*9.0	4.0	4.4	*5.7	*5.7	22.3 ft
	1.5 m	●	-	-	-	-	5.6	6.6	6.8*	6.8*	3.2	3.6	5.5	5.9*	2.1	2.4	3.5	4.5*	1.7	1.9	2.8*	2.8*	6.9 m
	5 ft	■	-	-	-	-	12.3	14.6	*15.0	*15.0	7.1	7.9	12.1	*13.0	4.6	5.3	7.7	*9.9	3.7	4.2	*6.2	*6.2	22.6 ft
	0 m	●	-	-	-	-	5.4	6.4	7.2*	7.2*	3.0	3.5	5.3	6.5*	2.0	2.3	3.5	4.8*	1.7	2.0	3.0	3.2*	6.7 m
	0 ft	■	-	-	-	-	11.9	14.1	*15.9	*15.9	6.6	7.7	11.7	*14.3	4.4	5.1	7.7	*10.6	3.7	4.4	6.6	*7.1	22.0 ft
	-1.5 m	●	5.8*	5.8*	5.8*	5.8*	5.9	6.3	9.7*	9.7*	3.0	3.4	5.2	6.4*	2.0	2.3	3.4	4.5*	2.0	2.3	3.4	4.1*	6.1 m
	-5 ft	■	*12.8	*12.8	*12.8	*12.8	11.9	13.9	*21.4	*21.4	6.6	7.5	11.5	*14.1	4.4	5.1	7.5	*9.9	4.4	5.1	7.5	*9.0	20.0 ft
	-3 m	●	-	-	-	-	5.5	6.5	7.9*	7.9*	3.0	3.5	5.3*	5.3*	-	-	-	-	2.7	3.1	4.6*	4.6*	4.9 m
	-10 ft	■	-	-	-	-	12.1	14.3	*17.4	*17.4	6.6	7.7	*11.7	*11.7	-	-	-	-	6.0	6.8	*10.1	*10.1	16.1 ft
-4.5 m	●	-	-	-	-	-	-	-	-	-	-	-	-	-	-	-	-	-	-	-	-	-	
-15 ft	■	-	-	-	-	-	-	-	-	-	-	-	-	-	-	-	-	-	-	-	-	-	
4.5 m, 14'9" mono boom 2.6 m, 8'6" dipper arm Radial Blade Rear	6 m	●	-	-	-	-	-	-	-	-	-	-	-	-	-	-	-	2.5*	2.5*	2.5*	2.5*	5.6 m	
	20 ft	■	-	-	-	-	-	-	-	-	-	-	-	-	-	-	-	*5.5	*5.5	*5.5	*5.5	18.4 ft	
	4.5 m	●	-	-	-	-	-	-	-	3.6	3.8*	3.8*	3.8*	2.3	2.6	3.6*	3.6*	2.0	2.2	2.4*	2.4*	6.5 m	
	15 ft	■	-	-	-	-	-	-	7.9	*8.4	*8.4	*8.4	5.1	5.7	*7.9	*7.9	4.4	4.9	*5.3	*5.3	21.3 ft		
	3 m	●	-	-	-	-	6.3	6.7*	6.7*	6.7*	3.4	3.9	4.7*	4.7*	2.2	2.5	3.7	4.0*	1.7	2.0	2.4*	2.4*	7.0 m
	10 ft	■	-	-	-	-	13.9	*14.8	*14.8	*14.8	7.5	8.6	*10.4	*10.4	4.9	5.5	8.2	*8.8	3.7	4.4	*5.3	*5.3	23.0 ft
	1.5 m	●	-	-	-	-	5.6	6.6	7.7*	7.7*	3.2	3.6	5.5	5.8*	2.1	2.4	3.5	4.4*	1.6	1.9	2.6*	2.6*	7.1 m
	5 ft	■	-	-	-	-	12.3	14.6	*17.0	*17.0	7.1	7.9	12.1	*12.8	4.6	5.3	7.7	*9.7	3.5	4.2	*5.7	*5.7	23.3 ft
	0 m	●	-	-	-	-	5.4	6.4	7.3*	7.3*	3.0	3.5	5.3	6.5*	2.0	2.3	3.5	4.7*	1.7	1.9	2.9	3.0*	6.9 m
	0 ft	■	-	-	-	-	11.9	14.1	*16.1	*16.1	6.6	7.7	11.7	*14.3	4.4	5.1	7.7	*10.4	3.7	4.2	6.4	*6.6	22.6 ft
	-1.5 m	●	5.6*	5.6*	5.6*	5.6*	5.3	6.3	9.8*	9.8*	3.0	3.4	5.2	6.5*	2.0	2.3	3.4	4.6*	1.9	2.2	3.2	3.8*	6.2 m
	-5 ft	■	*12.3	*12.3	*12.3	*12.3	11.7	13.9	*21.6	*21.6	6.6	7.5	11.5	*14.3	4.4	5.1	7.5	*10.1	4.2	4.9	7.1	*8.4	20.3 ft
	-3 m	●	-	-	-	-	5.4	6.4	8.2*	8.2*	3.0	3.5	5.3	5.5*	-	-	-	-	2.5	2.9	4.4	4.5*	5.1 m
	-10 ft	■	-	-	-	-	11.9	14.1	*18.1	*18.1	6.6	7.7	11.7	*12.1	-	-	-	-	5.5	6.4	9.7	*9.9	16.7 ft
-4.5 m	●	-	-	-	-	-	-	-	-	-	-	-	-	-	-	-	-	-	-	-	-	-	
-15 ft	■	-	-	-	-	-	-	-	-	-	-	-	-	-	-	-	-	-	-	-	-	-	

Specifications

EWR150E

LIFTING CAPACITY EWR150E - Welded undercarriage

At the arm end, without bucket and quick fit. For lifting capacity including bucket/quick fit, simply subtract actual weight of those parts from the following values. With heavy counterweight. **Unit: ● 1,000 kg / ■ 1,000 lb**

Notes: 1. Working pressure with Power Boost = 37.5 MPa / 5,440 psi. 2. The above values are in compliance with ISO standard 10 567. They do not exceed 87 % of hydraulic lifting capacity or 75 % of tipping load, with the machine on firm, level ground. 3. Load capacities marked with an asterisk (*) are limited by machine's hydraulic lifting capacity rather than tipping load.

	Lifting point	Reach from machine centre (u = support up/d = support down)																	
		1.5 m, 5 ft				3.0 m, 10 ft				4.5 m, 15 ft				6.0 m, 20 ft				Max.	
		Across UC		Along UC		Across UC		Along UC		Across UC		Along UC		Across UC		Along UC		Across UC	Along UC
		u	d	u	d	u	d	u	d	u	d	u	d	u	d	u	d	u	d
4.7 m, 15'5" 2 piece boom 2.0 m, 6'7" dipper arm Front radial blade Rear outriggers	7.5 m ●	-	-	-	-	-	-	-	-	-	-	-	-	-	-	-	-	-	-
	25 ft ■	-	-	-	-	-	-	-	-	-	-	-	-	-	-	-	-	-	-
	6 m ●	-	-	-	-	-	-	-	-	3.8	4.1*	4.1*	4.1*	-	-	-	-	2.9	3.5*
	20 ft ■	-	-	-	-	-	-	-	-	8.4	*9.0	*9.0	*9.0	-	-	-	-	6.4	*7.7
	4.5 m ●	-	-	-	-	5.6*	5.6*	5.6*	5.6*	3.7	4.5*	4.5*	4.5*	2.3	4.0	3.8	4.0*	2.2	3.2*
	15 ft ■	-	-	-	-	*12.3	*12.3	*12.3	*12.3	8.2	*9.9	*9.9	*9.9	5.1	8.8	8.4	*8.8	4.9	*7.1
	3 m ●	-	-	-	-	-	-	-	-	3.5	5.3*	5.3*	5.3*	2.3	3.9	3.7	4.3*	1.9	3.2*
	10 ft ■	-	-	-	-	-	-	-	-	7.7	*11.7	*11.7	*11.7	5.1	8.6	8.2	*9.5	4.2	*7.1
	1.5 m ●	-	-	-	-	-	-	-	-	3.2	5.9	5.5	6.1*	2.2	3.8	3.6	4.6*	1.8	3.2
	5 ft ■	-	-	-	-	-	-	-	-	7.1	13.0	12.1	*13.4	4.9	8.4	7.9	*10.1	4.0	7.1
	0 m ●	-	-	-	-	4.9*	4.9*	4.9*	4.9*	3.1	5.7	5.4	6.4*	2.1	3.7	3.5	4.7*	1.9	3.3
	0 ft ■	-	-	-	-	*10.8	*10.8	*10.8	*10.8	6.8	12.6	11.9	*14.1	4.6	8.2	7.7	*10.4	4.2	7.3
	-1.5 m ●	-	-	-	-	5.5	8.6*	8.6*	8.6*	3.1	5.7	5.3	6.0*	-	-	-	-	2.1	3.8
	-5 ft ■	-	-	-	-	12.1	*19.0	*19.0	*19.0	6.8	12.6	11.7	*13.2	-	-	-	-	4.6	8.4
4.7 m, 15'5" 2 piece boom 2.45 m, 8'0" dipper arm Front radial blade Rear outriggers	7.5 m ●	-	-	-	-	-	-	-	-	-	-	-	-	-	-	-	-	3.3*	
	25 ft ■	-	-	-	-	-	-	-	-	-	-	-	-	-	-	-	-	-	*7.3
	6 m ●	-	-	-	-	-	-	-	-	3.7*	3.7*	3.7*	3.7*	-	-	-	-	2.5	2.7*
	20 ft ■	-	-	-	-	-	-	-	-	*8.2	*8.2	*8.2	*8.2	-	-	-	-	5.5	*6.0
	4.5 m ●	-	-	-	-	-	-	-	-	3.8	4.1*	4.1*	4.1*	2.4	3.7*	3.7*	3.7*	2.0	2.6*
	15 ft ■	-	-	-	-	-	-	-	-	8.4	*9.0	*9.0	*9.0	5.3	*8.2	*8.2	*8.2	4.4	*5.7
	3 m ●	-	-	-	-	6.4	7.5*	7.5*	7.5*	3.5	5.0*	5.0*	5.0*	2.3	4.0	3.7	4.0*	1.7	2.6*
	10 ft ■	-	-	-	-	14.1	*16.5	*16.5	*16.5	7.7	*11.0	*11.0	*11.0	5.1	8.8	8.2	*8.8	3.7	*5.7
	1.5 m ●	-	-	-	-	-	-	-	-	3.2	5.9*	5.6	5.9*	2.2	3.8	3.6	4.4*	1.6	2.7*
	5 ft ■	-	-	-	-	-	-	-	-	7.1	*13.0	12.3	*13.0	4.9	8.4	7.9	*9.7	3.5	*6.0
	0 m ●	-	-	-	-	5.4*	5.4*	5.4*	5.4*	3.1	5.7	5.4	6.4*	2.1	3.7	3.5	4.6*	1.7	3.0
	0 ft ■	-	-	-	-	*11.9	*11.9	*11.9	*11.9	6.8	12.6	11.9	*14.1	4.6	8.2	7.7	*10.1	3.7	6.6
	-1.5 m ●	-	-	-	-	5.5	9.2*	9.2*	9.2*	3.0	5.7	5.3	6.2*	2.1	3.7	3.5	4.4*	1.9	3.4
	-5 ft ■	-	-	-	-	12.1	*20.3	*20.3	*20.3	6.6	12.6	11.7	*13.7	4.6	8.2	7.7	*9.7	4.2	7.5
4.7 m, 15'5" 2 piece boom 2.6 m, 8'6" dipper arm Front radial blade Rear outriggers	7.5 m ●	-	-	-	-	-	-	-	-	3.0*	3.0*	3.0*	3.0*	-	-	-	-	3.0*	
	25 ft ■	-	-	-	-	-	-	-	-	*6.6	*6.6	*6.6	*6.6	-	-	-	-	*6.6	
	6 m ●	-	-	-	-	-	-	-	-	3.5*	3.5*	3.5*	3.5*	-	-	-	-	2.4	
	20 ft ■	-	-	-	-	-	-	-	-	*7.7	*7.7	*7.7	*7.7	-	-	-	-	5.3	
	4.5 m ●	-	-	-	-	-	-	-	-	3.8	3.9*	3.9*	3.9*	2.4	3.6*	3.6*	3.6*	1.9	
	15 ft ■	-	-	-	-	-	-	-	-	8.4	*8.6	*8.6	*8.6	5.3	*7.9	*7.9	*7.9	4.2	
	3 m ●	-	-	-	-	6.5	7.2*	7.2*	7.2*	3.5	4.9*	4.9*	4.9*	2.3	4.0	3.8	4.0*	1.7	
	10 ft ■	-	-	-	-	14.3	*15.9	*15.9	*15.9	7.7	*10.8	*10.8	*10.8	5.1	8.8	8.4	*8.8	3.7	
	1.5 m ●	-	-	-	-	-	-	-	-	3.3	5.8*	5.6	5.8*	2.2	3.8	3.6	4.4*	1.6	
	5 ft ■	-	-	-	-	-	-	-	-	7.3	*12.8	12.3	*12.8	4.9	8.4	7.9	*9.7	3.5	
	0 m ●	-	-	-	-	5.4	5.4*	5.4*	5.4*	3.1	5.7	5.4	6.3*	2.1	3.7	3.5	4.6*	1.6	
	0 ft ■	-	-	-	-	11.9	*11.9	*11.9	*11.9	6.8	12.6	11.9	*13.9	4.6	8.2	7.7	*10.1	3.5	
	-1.5 m ●	-	-	-	-	5.4	8.9*	8.9*	8.9*	3.0	5.6	5.3	6.2*	2.0	3.7	3.5	4.5*	1.8	
	-5 ft ■	-	-	-	-	11.9	*19.6	*19.6	*19.6	6.6	12.3	11.7	*13.7	4.4	8.2	7.7	*9.9	4.0	

LIFTING CAPACITY EWR150E - Welded undercarriage

At the arm end, without bucket and quick fit. For lifting capacity including bucket/quick fit, simply subtract actual weight of those parts from the following values. With heavy counterweight. **Unit: ● 1,000 kg / ■ 1,000 lb**

Notes: 1. Working pressure with Power Boost = 37.5 MPa / 5,440 psi. 2. The above values are in compliance with ISO standard 10 567. They do not exceed 87 % of hydraulic lifting capacity or 75 % of tipping load, with the machine on firm, level ground. 3. Load capacities marked with an asterisk (*) are limited by machine's hydraulic lifting capacity rather than tipping load.

	Lifting point	Reach from machine centre (u = support up/d = support down)																							
		1.5 m, 5 ft				3.0 m, 10 ft				4.5 m, 15 ft				6.0 m, 20 ft				Max.							
		Across UC		Along UC		Across UC		Along UC		Across UC		Along UC		Across UC		Along UC		Across UC	Along UC						
		u	d	u	d	u	d	u	d	u	d	u	d	u	d	u	d	u	d						
4.7 m, 15'5" 2 piece boom 2.0 m, 6'7" dipper arm Radial Blade Rear	7.5 m	●	-	-	-	-	-	-	-	-	-	-	-	-	-	-	-	-	-	4.4*	4.4*	4.4*	4.4*	3.5 m	
	25 ft	■	-	-	-	-	-	-	-	-	-	-	-	-	-	-	-	-	-	-	*9.7	*9.7	*9.7	*9.7	11.5 ft
	6 m	●	-	-	-	-	-	-	-	3.6	4.1*	4.1*	4.1*	-	-	-	-	2.8	3.2	3.5*	3.5*	3.5*	3.5*	5.3 m	
	20 ft	■	-	-	-	-	-	-	-	7.9	*9.0	*9.0	*9.0	-	-	-	-	6.2	7.1	*7.7	*7.7	*7.7	*7.7	17.4 ft	
	4.5 m	●	-	-	-	-	5.6*	5.6*	5.6*	5.6*	3.5	4.0	4.5*	4.5*	2.2	2.5	3.7	4.0*	2.1	2.4	3.2*	3.2*	3.2*	6.2 m	
	15 ft	■	-	-	-	-	*12.3	*12.3	*12.3	*12.3	7.7	8.8	*9.9	*9.9	4.9	5.5	8.2	*8.8	4.6	5.3	*7.1	*7.1	*7.1	20.3 ft	
	3 m	●	-	-	-	-	-	-	-	3.3	3.8	5.3*	5.3*	2.1	2.5	3.6	4.3*	1.8	2.1	3.0	3.2*	3.2*	3.2*	6.7 m	
	10 ft	■	-	-	-	-	-	-	-	7.3	8.4	*11.7	*11.7	4.6	5.5	7.9	*9.5	4.0	4.6	6.6	*7.1	*7.1	*7.1	22.0 ft	
	1.5 m	●	-	-	-	-	-	-	-	3.0	3.5	5.4	6.1*	2.0	2.3	3.5	4.6*	1.7	2.0	2.9	3.0	3.9*	3.9*	6.8 m	
	5 ft	■	-	-	-	-	-	-	-	6.6	7.7	11.9	*13.4	4.4	5.1	7.7	*10.1	3.7	4.4	6.4	6.4	7.7	7.7	22.3 ft	
	0 m	●	-	-	-	-	4.9*	4.9*	4.9*	4.9*	2.9	3.4	5.2	6.4*	2.0	2.3	3.4	4.7*	1.7	2.0	3.0	3.9*	3.9*	6.5 m	
	0 ft	■	-	-	-	-	*10.8	*10.8	*10.8	*10.8	6.4	7.5	11.5	*14.1	4.4	5.1	7.5	*10.4	3.7	4.4	6.6	*8.6	*8.6	21.3 ft	
	-1.5 m	●	-	-	-	-	5.2	6.2	8.6*	8.6*	2.9	3.3	5.2	6.0*	-	-	-	-	2.0	2.3	3.5	4.2*	4.2*	5.9 m	
	-5 ft	■	-	-	-	-	11.5	13.7	*19.0	*19.0	6.4	7.3	11.5	*13.2	-	-	-	-	4.4	5.1	7.7	*9.3	*9.3	19.4 ft	
4.7 m, 15'5" 2 piece boom 2.45 m, 8'0" dipper arm Radial Blade Rear	7.5 m	●	-	-	-	-	-	-	-	-	-	-	-	-	-	-	-	-	-	3.3*	3.3*	3.3*	3.3*	4.3 m	
	25 ft	■	-	-	-	-	-	-	-	-	-	-	-	-	-	-	-	-	-	*7.3	*7.3	*7.3	*7.3	14.1 ft	
	6 m	●	-	-	-	-	-	-	-	3.7*	3.7*	3.7*	3.7*	-	-	-	-	2.4	2.7	2.7*	2.7*	2.7*	2.7*	5.8 m	
	20 ft	■	-	-	-	-	-	-	-	*8.2	*8.2	*8.2	*8.2	-	-	-	-	5.3	6.0	*6.0	*6.0	*6.0	*6.0	19.0 ft	
	4.5 m	●	-	-	-	-	-	-	-	3.6	4.1*	4.1*	4.1*	2.3	2.6	3.7*	3.7*	1.9	2.1	2.6*	2.6*	2.6*	2.6*	6.7 m	
	15 ft	■	-	-	-	-	-	-	-	7.9	*9.0	*9.0	*9.0	5.1	5.7	*8.2	*8.2	4.2	4.6	*5.7	*5.7	*5.7	*5.7	22.0 ft	
	3 m	●	-	-	-	-	6.1	7.1	7.5*	7.5*	3.3	3.8	5.0*	5.0*	2.2	2.5	3.6	4.0*	1.6	1.9	2.6*	2.6*	2.6*	7.1 m	
	10 ft	■	-	-	-	-	13.4	15.7	*16.5	*16.5	7.3	8.4	*11.0	*11.0	4.9	5.5	7.9	*8.8	3.5	4.2	*5.7	*5.7	*5.7	23.3 ft	
	1.5 m	●	-	-	-	-	-	-	-	-	3.1	3.5	5.4	5.9*	2.0	2.4	3.5	4.4*	1.5	1.8	2.6	2.7*	2.7*	7.2 m	
	5 ft	■	-	-	-	-	-	-	-	6.8	7.7	11.9	*13.0	4.4	5.3	7.7	*9.7	3.3	4.0	5.7	*6.0	*6.0	*6.0	23.6 ft	
	0 m	●	-	-	-	-	5.1	5.4*	5.4*	5.4*	2.9	3.4	5.2	6.4*	2.0	2.3	3.4	4.6*	1.6	1.8	2.7	3.1*	3.1*	7.0 m	
	0 ft	■	-	-	-	-	11.2	*11.9	*11.9	*11.9	6.4	7.5	11.5	*14.1	4.4	5.1	7.5	*10.1	3.5	4.0	6.0	*6.8	*6.8	23.0 ft	
	-1.5 m	●	-	-	-	-	5.1	6.1	9.2*	9.2*	2.8	3.3	5.1	6.2*	1.9	2.2	3.4	4.4*	1.8	2.1	3.1	3.7*	3.7*	6.4 m	
	-5 ft	■	-	-	-	-	11.2	13.4	*20.3	*20.3	6.2	7.3	11.2	*13.7	4.2	4.9	7.5	*9.7	4.0	4.6	6.8	*8.2	*8.2	21.0 ft	
4.7 m, 15'5" 2 piece boom 2.6 m, 8'6" dipper arm Radial Blade Rear	7.5 m	●	-	-	-	-	-	-	-	3.1*	3.0*	3.1*	3.0*	-	-	-	-	3.1*	3.0*	3.1*	3.0*	3.0*	3.0*	4.5 m	
	25 ft	■	-	-	-	-	-	-	-	*6.8	*6.6	*6.8	*6.6	-	-	-	-	*6.8	*6.6	*6.8	*6.6	*6.6	*6.6	14.8 ft	
	6 m	●	-	-	-	-	-	-	-	3.5*	3.5*	3.5*	3.5*	-	-	-	-	2.3	2.5*	2.6*	2.5*	2.5*	2.5*	6.0 m	
	20 ft	■	-	-	-	-	-	-	-	*7.7	*7.7	*7.7	*7.7	-	-	-	-	5.1	*5.5	*5.7	*5.5	*5.5	*5.5	19.7 ft	
	4.5 m	●	-	-	-	-	-	-	-	3.6	3.9*	3.9*	3.9*	2.3	2.6	3.6*	3.6*	1.8	2.1	2.4*	2.4*	2.4*	2.4*	6.8 m	
	15 ft	■	-	-	-	-	-	-	-	7.9	*8.6	*8.6	*8.6	5.1	5.7	*7.9	*7.9	4.0	4.6	*5.3	*5.3	*5.3	*5.3	22.3 ft	
	3 m	●	-	-	-	-	6.1	7.2*	7.1*	7.2*	3.3	3.9	4.8*	4.9*	2.2	2.5	3.6	4.0*	1.6	1.8	2.4*	2.4*	2.4*	7.3 m	
	10 ft	■	-	-	-	-	13.4	*15.9	*15.7	*15.9	7.3	8.6	*10.6	*10.8	4.9	5.5	7.9	*8.8	3.5	4.0	*5.3	*5.3	*5.3	24.0 ft	
	1.5 m	●	-	-	-	-	-	-	-	-	3.0	3.6	5.4	5.8*	2.0	2.4	3.5	4.4*	1.5	1.7	2.5*	2.5*	2.5*	7.4 m	
	5 ft	■	-	-	-	-	-	-	-	6.6	7.9	11.9	*12.8	4.4	5.3	7.7	*9.7	3.3	3.7	*5.5	*5.5	*5.5	*5.5	24.3 ft	
	0 m	●	-	-	-	-	5.1	5.4*	5.5*	5.4*	2.9	3.4	5.2	6.3*	1.9	2.3	3.4	4.6*	1.5	1.8	2.6	2.8*	2.8*	7.1 m	
	0 ft	■	-	-	-	-	11.2	*11.9	*12.1	*11.9	6.4	7.5	11.5	*13.9	4.2	5.1	7.5	*10.1	3.3	4.0	5.7	*6.2	*6.2	23.3 ft	
	-1.5 m	●	-	-	-	-	5.1	6.1	9.0*	8.9*	2.8	3.3	5.1	6.2*	1.9	2.2	3.3	4.5*	1.7	2.0	3.0	3.4*	3.4*	6.6 m	
	-5 ft	■	-	-	-	-	11.2	13.4	*19.8	*19.6	6.2	7.3	11.2	*13.7	4.2	4.9	7.3	*9.9	3.7	4.4	6.6	*7.5	*7.5	21.7 ft	

Specifications

EWR150E

LIFTING CAPACITY EWR150E - Bolted undercarriage

At the arm end, without bucket and quick fit. For lifting capacity including bucket/quick fit, simply subtract actual weight of those parts from the following values. With heavy counterweight. **Unit: ● 1,000 kg / ■ 1,000 lb**

Notes: 1. Working pressure with Power Boost = 37.5 MPa / 5,440 psi. 2. The above values are in compliance with ISO standard 10 567. They do not exceed 87 % of hydraulic lifting capacity or 75 % of tipping load, with the machine on firm, level ground. 3. Load capacities marked with an asterisk (*) are limited by machine's hydraulic lifting capacity rather than tipping load

	Lifting point	Reach from machine centre (u = support up/d = support down)																									
		1.5 m, 5 ft				3.0 m, 10 ft				4.5 m, 15 ft				6.0 m, 20 ft				Max.									
		Across UC		Along UC		Across UC		Along UC		Across UC		Along UC		Across UC		Along UC		Across UC	Along UC								
		u	d	u	d	u	d	u	d	u	d	u	d	u	d	u	d	u	d								
4.5 m, 14'9" mono boom 2.0 m, 6'7" dipper arm Front Parallel blade Rear outriggers	6 m	●	-	-	-	-	-	-	-	-	-	-	-	-	-	-	-	-	-	3.4*	3.4*	3.4*	3.4*	4.9 m			
	20 ft	■	-	-	-	-	-	-	-	-	-	-	-	-	-	-	-	-	-	*7.5	*7.5	*7.5	*7.5	16.1 ft			
	4.5 m	●	-	-	-	-	-	-	-	-	-	-	-	-	-	-	-	-	-	2.6	3.2*	3.2*	3.2*	5.9 m			
	15 ft	■	-	-	-	-	-	-	-	-	-	-	-	-	-	-	-	-	-	5.7	*7.1	*7.1	*7.1	19.4 ft			
	3 m	●	-	-	-	-	6.8	8.0*	8.0*	8.0*	3.8	5.3*	5.3*	5.3*	2.5	4.2	3.9	4.3*	2.2	3.3*	3.3*	3.3*	6.4 m				
	10 ft	■	-	-	-	-	15.0	*17.6	*17.6	*17.6	8.4	*11.7	*11.7	*11.7	5.5	9.3	8.6	*9.5	4.9	*7.3	*7.3	*7.3	21.0 ft				
	1.5 m	●	-	-	-	-	-	-	-	-	-	-	-	-	3.6	6.2*	5.9	6.2*	2.4	4.1	3.8	4.7*	2.1	3.6*	3.4	3.6*	6.5 m
	5 ft	■	-	-	-	-	-	-	-	-	-	-	-	-	7.9	*13.7	13.0	*13.7	5.3	9.0	8.4	*10.4	4.6	*7.9	7.5	*7.9	21.3 ft
	0 m	●	-	-	-	-	6.1	7.0*	7.0*	7.0*	3.5	6.2	5.7	6.6*	2.4	4.1	3.8	4.8*	2.2	3.8	3.5	4.2*	6.3 m				
	0 ft	■	-	-	-	-	13.4	*15.4	*15.4	*15.4	7.7	13.7	12.6	*14.6	5.3	9.0	8.4	*10.6	4.9	8.4	7.7	*9.3	20.7 ft				
	-1.5 m	●	-	-	-	-	6.2	9.3*	9.3*	9.3*	3.4	6.2	5.7	6.3*	-	-	-	-	-	2.6	4.5	4.2	4.7*	5.6 m			
	-5 ft	■	-	-	-	-	13.7	*20.5*	*20.5*	*20.5*	7.5	13.7	12.6	*13.9	-	-	-	-	-	5.7	9.9	9.3	*10.4	18.4 ft			
	-3 m	●	-	-	-	-	6.3	7.0*	7.0*	7.0*	-	-	-	-	-	-	-	-	-	3.8	4.7*	4.7*	4.7*	4.3 m			
-10 ft	■	-	-	-	-	13.9	*15.4	*15.4	*15.4	-	-	-	-	-	-	-	-	-	8.4	*10.4	*10.4	*10.4	14.1 ft				
4.5 m, 14'9" mono boom 2.45 m, 8'0" dipper arm Front Parallel blade Rear outriggers	6 m	●	-	-	-	-	-	-	-	-	-	-	-	-	-	-	-	-	-	2.7*	2.7*	2.7*	2.7*	5.5 m			
	20 ft	■	-	-	-	-	-	-	-	-	-	-	-	-	-	-	-	-	-	*6.0	*6.0	*6.0	*6.0	18.0 ft			
	4.5 m	●	-	-	-	-	-	-	-	-	3.9*	3.9*	3.9*	2.6	2.8	3.7*	3.7*	2.3	2.5	2.6*	2.6*	6.4 m					
	15 ft	■	-	-	-	-	-	-	-	-	*8.6	*8.6	*8.6	5.7	6.2	*8.2	*8.2	5.1	5.5	*5.7	*5.7	21.0 ft					
	3 m	●	-	-	-	-	7.0	7.0*	7.0*	7.0*	3.8	4.4	4.9*	4.9*	2.5	2.8	3.9	4.1*	2.0	2.2	2.6*	2.6*	6.8 m				
	10 ft	■	-	-	-	-	15.4	*15.4	*15.4	*15.4	8.4	9.7	*10.8	*10.8	5.5	6.2	8.6	*9.0	4.4	4.9	*5.7	*5.7	22.3 ft				
	1.5 m	●	-	-	-	-	6.3	6.8*	6.8*	6.8*	3.6	4.2	5.9	5.9*	2.4	2.7	3.8	4.5*	2.0	2.1	2.8*	2.8*	6.9 m				
	5 ft	■	-	-	-	-	13.9	*15.0	*15.0	*15.0	7.9	9.3	13.0	*13.0	5.3	6.0	8.4	*9.9	4.4	4.6	*6.2	*6.2	22.6 ft				
	0 m	●	-	-	-	-	6.1	7.2*	7.2*	7.2*	3.4	4.0	5.7	6.5*	2.3	2.6	3.7	4.8*	2.0	2.2	3.2	3.2*	6.7 m				
	0 ft	■	-	-	-	-	13.4	*15.9	*15.9	*15.9	7.5	8.8	12.6	*14.3	5.1	5.7	8.2	*10.6	4.4	4.9	7.1	*7.1	22.0 ft				
	-1.5 m	●	5.8*	5.8*	5.8*	5.8*	6.1	8.2	9.7*	9.7*	3.4	3.9	5.7	6.4*	2.3	2.6	3.7	4.5*	2.3	2.5	3.7	4.1*	6.1 m				
	-5 ft	■	*12.8	*12.8	*12.8	*12.8	13.4	18.1	*21.4	*21.4	7.5	8.6	12.6	*14.1	5.1	5.7	8.2	*9.9	5.1	5.5	8.2	*9.0	20.0 ft				
	-3 m	●	-	-	-	-	6.2	7.9*	7.9*	7.9*	3.5	4.0	5.3*	5.3*	-	-	-	-	-	3.1	3.5	4.6*	4.6*	4.9 m			
-10 ft	■	-	-	-	-	13.7	*17.4	*17.4	*17.4	7.7	8.8	*11.7	*11.7	-	-	-	-	-	6.8	7.7	*10.1	*10.1	16.1 ft				
-4.5 m	●	-	-	-	-	-	-	-	-	-	-	-	-	-	-	-	-	-	-	-	-	-	-				
-15 ft	■	-	-	-	-	-	-	-	-	-	-	-	-	-	-	-	-	-	-	-	-	-	-				
4.5 m, 14'9" mono boom 2.6 m, 8'6" dipper arm Front Parallel blade Rear outriggers	6 m	●	-	-	-	-	-	-	-	-	-	-	-	-	-	-	-	-	-	2.5*	2.5*	2.5*	2.5*	5.6 m			
	20 ft	■	-	-	-	-	-	-	-	-	-	-	-	-	-	-	-	-	-	*5.5	*5.5	*5.5	*5.5	18.4 ft			
	4.5 m	●	-	-	-	-	-	-	-	-	3.8*	3.8*	3.8*	3.8*	2.6	3.6*	3.6*	3.6*	2.2	2.4*	2.4*	2.4*	6.5 m				
	15 ft	■	-	-	-	-	-	-	-	-	*8.4	*8.4	*8.4	*8.4	5.7	*7.9	*7.9	*7.9	4.9	*5.3	*5.3	*5.3	21.3 ft				
	3 m	●	-	-	-	-	6.7*	6.7*	6.7*	6.7*	3.8	4.7*	4.7*	4.7*	2.5	4.0*	3.9	4.0*	2.0	2.4*	2.4*	2.4*	7.0 m				
	10 ft	■	-	-	-	-	*14.8	*14.8	*14.8	*14.8	8.4	*10.4	*10.4	*10.4	5.5	*8.8	8.6	*8.8	4.4	*5.3	*5.3	*5.3	23.0 ft				
	1.5 m	●	-	-	-	-	6.4	7.7*	7.7*	7.7*	3.6	5.8*	5.8*	5.8*	2.4	4.1	3.8	4.4*	1.9	2.6*	2.6*	2.6*	7.1 m				
	5 ft	■	-	-	-	-	14.1	*17.0	*17.0	*17.0	7.9	*12.8	*12.8	*12.8	5.3	9.0	8.4	*9.7	4.2	*5.7	*5.7	*5.7	23.3 ft				
	0 m	●	-	-	-	-	6.1	7.3*	7.3*	7.3*	3.4	6.2	5.7	6.5*	2.3	4.1	3.7	4.7*	1.9	3.0*	3.0*	3.0*	6.9 m				
	0 ft	■	-	-	-	-	13.4	*16.1	*16.1	*16.1	7.5	13.7	12.6	*14.3	5.1	9.0	8.2	*10.4	4.2	*6.6	*6.6	*6.6	22.6 ft				
	-1.5 m	●	5.6*	5.6*	5.6*	5.6*	6.1	9.8*	9.8*	9.8*	3.4	6.2	5.7	6.5*	2.3	4.0	3.7	4.6*	2.2	3.8*	3.5	3.8*	6.2 m				
	-5 ft	■	*12.3	*12.3	*12.3	*12.3	13.4	*21.6	*21.6	*21.6	7.5	13.7	12.6	*14.3	5.1	8.8	8.2	*10.1	4.9	*8.4	7.7	*8.4	20.3 ft				
	-3 m	●	-	-	-	-	6.2	8.2*	8.2*	8.2*	3.4	5.5*	5.5*	5.5*	-	-	-	-	-	2.9	4.5*	4.5*	4.5*	5.1 m			
-10 ft	■	-	-	-	-	13.7	*18.1	*18.1	*18.1	7.5	*12.1	*12.1	*12.1	-	-	-	-	-	6.4	*9.9	*9.9	*9.9	16.7 ft				

LIFTING CAPACITY EWR150E - Bolted undercarriage

At the arm end, without bucket and quick fit. For lifting capacity including bucket/quick fit, simply subtract actual weight of those parts from the following values. With heavy counterweight. **Unit: ● 1,000 kg / ■ 1,000 lb**

Notes: 1. Working pressure with Power Boost = 37.5 MPa / 5,440 psi. 2. The above values are in compliance with ISO standard 10 567. They do not exceed 87 % of hydraulic lifting capacity or 75 % of tipping load, with the machine on firm, level ground. 3. Load capacities marked with an asterisk (*) are limited by machine's hydraulic lifting capacity rather than tipping load

	Lifting point	Reach from machine centre (u = support up/d = support down)																							
		1.5 m, 5 ft				3.0 m, 10 ft				4.5 m, 15 ft				6.0 m, 20 ft				Max.							
		Across UC		Along UC		Across UC		Along UC		Across UC		Along UC		Across UC		Along UC		Across UC	Along UC	Max.					
		u	d	u	d	u	d	u	d	u	d	u	d	u	d	u	d	u	d						
4.5 m, 14'9" mono boom 2.0 m, 6'7" dipper arm Parallel Blade Rear	6 m	●	-	-	-	-	-	-	-	-	-	-	3.7	4.1*	4.1*	4.1*	-	-	-	-	3.2	3.4*	3.4*	3.4*	4.9 m
	20 ft	■	-	-	-	-	-	-	-	-	-	-	8.2	*9.0	*9.0	*9.0	-	-	-	-	7.1	*7.5	*7.5	*7.5	16.1 ft
	4.5 m	●	-	-	-	-	-	-	-	-	-	-	3.7	4.2	4.4*	4.4*	-	-	-	-	2.4	2.7	3.2*	3.2*	5.9 m
	15 ft	■	-	-	-	-	-	-	-	-	-	-	8.2	9.3	*9.7	*9.7	-	-	-	-	5.3	6.0	*7.1	*7.1	19.4 ft
	3 m	●	-	-	-	-	6.2	7.3	8.0*	8.0*	3.5	4.0	5.3*	5.3*	2.3	2.6	3.8	4.3*	2.0	2.3	3.3*	3.3*	3.3*	6.4 m	
	10 ft	■	-	-	-	-	13.7	16.1	*17.6	*17.6	7.7	8.8	*11.7	*11.7	5.1	5.7	8.4	*9.5	4.4	5.1	*7.3	*7.3	*7.3	21.0 ft	
	1.5 m	●	-	-	-	-	-	-	-	-	3.2	3.7	5.7	6.2*	2.2	2.5	3.7	4.7*	1.9	2.2	3.3	3.6*	3.6*	6.5 m	
	5 ft	■	-	-	-	-	-	-	-	-	7.1	8.2	12.6	*13.7	4.9	5.5	8.2	*10.4	4.2	4.9	7.3	*7.9	*7.9	21.3 ft	
	0 m	●	-	-	-	-	5.6	6.6	7.0*	7.0*	3.1	3.6	5.5	6.6*	2.1	2.5	3.6	4.8*	2.0	2.3	3.4	4.2*	4.2*	6.3 m	
	0 ft	■	-	-	-	-	12.3	14.6	*15.4	*15.4	6.8	7.9	12.1	*14.6	4.6	5.5	7.9	*10.6	4.4	5.1	7.5	*9.3	*9.3	20.7 ft	
	-1.5 m	●	-	-	-	-	5.6	6.6	9.3*	9.3*	3.1	3.6	5.5	6.3*	-	-	-	-	2.3	2.7	4.0	4.7*	4.7*	5.6 m	
	-5 ft	■	-	-	-	-	12.3	14.6	*20.5	*20.5	6.8	7.9	12.1	*13.9	-	-	-	-	5.1	6.0	8.8	*10.4	*10.4	18.4 ft	
	-3 m	●	-	-	-	-	5.8	6.8	7.0*	7.0*	-	-	-	-	-	-	-	-	3.4	4.0	4.7*	4.7*	4.7*	4.3 m	
-10 ft	■	-	-	-	-	12.8	15.0	*15.4	*15.4	-	-	-	-	-	-	-	-	7.5	8.8	*10.4	*10.4	*10.4	14.1 ft		
4.5 m, 14'9" mono boom 2.45 m, 8'0" dipper arm Parallel Blade Rear	6 m	●	-	-	-	-	-	-	-	-	-	-	-	-	-	-	-	-	-	-	2.7*	2.2	2.7*	2.7*	5.5 m
	20 ft	■	-	-	-	-	-	-	-	-	-	-	-	-	-	-	-	-	-	-	*6.0	4.9	*6.0	*6.0	18.0 ft
	4.5 m	●	-	-	-	-	-	-	-	3.7	3.0	3.9*	3.9*	2.4	1.8	3.7*	3.7*	2.1	1.6	2.6*	2.6*	2.6*	2.6*	6.4 m	
	15 ft	■	-	-	-	-	-	-	-	8.2	6.6	*8.6	*8.6	5.3	4.0	*8.2	*8.2	4.6	3.5	*5.7	*5.7	*5.7	*5.7	21.0 ft	
	3 m	●	-	-	-	-	6.4	5.3	7.0*	7.0*	3.5	2.8	4.9*	4.9*	2.3	1.8	3.8	4.1*	1.9	1.4	2.6*	2.6*	2.6*	6.8 m	
	10 ft	■	-	-	-	-	14.1	11.7	*15.4	*15.4	7.7	6.2	*10.8	*10.8	5.1	4.0	8.4	*9.0	4.2	3.1	*5.7	*5.7	*5.7	22.3 ft	
	1.5 m	●	-	-	-	-	5.8	4.7	6.8*	6.8*	3.3	2.6	5.7	5.9*	2.2	1.7	3.7	4.0	1.8	1.3	2.8*	2.8*	2.8*	6.9 m	
	5 ft	■	-	-	-	-	12.8	10.4	*15.0	*15.0	7.3	5.7	12.6	*13.0	4.9	3.7	8.2	8.8	4.0	2.9	*6.2	*6.2	*6.2	22.6 ft	
	0 m	●	-	-	-	-	5.6	4.4	7.2*	7.2*	3.1	2.4	5.5	6.5	2.1	1.6	3.6	3.9	1.8	1.4	3.1	3.2*	3.2*	6.7 m	
	0 ft	■	-	-	-	-	12.3	9.7	*15.9	*15.9	6.8	5.3	12.1	14.3	4.6	3.5	7.9	8.6	4.0	3.1	6.8	*7.1	*7.1	22.0 ft	
	-1.5 m	●	5.8*	5.8*	5.8*	5.8*	5.6	4.4	9.7*	9.7*	3.1	2.4	5.5	6.4	2.1	1.6	3.6	3.9	2.1	1.6	3.5	3.8	3.8	3.8	6.1 m
	-5 ft	■	*12.8	*12.8	*12.8	*12.8	12.3	9.7	*21.4	*21.4	6.8	5.3	12.1	14.1	4.6	3.5	7.9	8.6	4.6	3.5	7.7	8.4	8.4	8.4	20.0 ft
	-3 m	●	-	-	-	-	5.7	4.6	7.9*	7.9*	3.1	2.4	5.3*	5.3*	-	-	-	-	2.8	2.2	4.6*	4.6*	4.6*	4.6*	4.9 m
-10 ft	■	-	-	-	-	12.6	10.1	*17.4	*17.4	6.8	5.3	*11.7	*11.7	-	-	-	-	6.2	4.9	*10.1	*10.1	*10.1	*10.1	16.1 ft	
4.5 m, 14'9" mono boom 2.6 m, 8'6" dipper arm Parallel Blade Rear	6 m	●	-	-	-	-	-	-	-	-	-	-	-	-	-	-	-	-	-	-	2.5*	2.5*	2.5*	2.5*	5.6 m
	20 ft	■	-	-	-	-	-	-	-	-	-	-	-	-	-	-	-	-	-	-	*5.5	*5.5	*5.5	*5.5	18.4 ft
	4.5 m	●	-	-	-	-	-	-	-	3.7	3.8*	3.8*	3.8*	2.4	2.7	3.6*	3.6*	2.0	2.3	2.4*	2.4*	2.4*	2.4*	6.5 m	
	15 ft	■	-	-	-	-	-	-	-	8.2	*8.4	*8.4	*8.4	5.3	6.0	*7.9	*7.9	4.4	5.1	*5.3	*5.3	*5.3	*5.3	21.3 ft	
	3 m	●	-	-	-	-	6.5	6.7*	6.7*	6.7*	3.5	4.0	4.7*	4.7*	2.3	2.6	3.8	4.0*	1.8	2.1	2.4*	2.4*	2.4*	2.4*	7.0 m
	10 ft	■	-	-	-	-	14.3	*14.8	*14.8	*14.8	7.7	8.8	*10.4	*10.4	5.1	5.7	8.4	*8.8	4.0	4.6	*5.3	*5.3	*5.3	*5.3	23.0 ft
	1.5 m	●	-	-	-	-	5.8	6.9	7.7*	7.7*	3.3	3.8	5.7	5.8*	2.2	2.5	3.7	4.4*	1.7	2.0	2.6*	2.6*	2.6*	2.6*	7.1 m
	5 ft	■	-	-	-	-	12.8	15.2	*17.0	*17.0	7.3	8.4	12.6	*12.8	4.9	5.5	8.2	*9.7	3.7	4.4	*5.7	*5.7	*5.7	*5.7	23.3 ft
	0 m	●	-	-	-	-	5.6	6.6	7.3*	7.3*	3.1	3.6	5.5	6.5*	2.1	2.4	3.6	4.7*	1.8	2.0	3.0	3.0*	3.0*	3.0*	6.9 m
	0 ft	■	-	-	-	-	12.3	14.6	*16.1	*16.1	6.8	7.9	12.1	*14.3	4.6	5.3	7.9	*10.4	4.0	4.4	6.6	*6.6	*6.6	*6.6	22.6 ft
	-1.5 m	●	5.6*	5.6*	5.6*	5.6*	5.5	6.6	9.8*	9.8*	3.1	3.6	5.5	6.5*	2.1	2.4	3.6	4.6*	2.0	2.3	3.4	3.8*	3.8*	3.8*	6.2 m
	-5 ft	■	*12.3	*12.3	*12.3	*12.3	12.1	14.6	*21.6	*21.6	6.8	7.9	12.1	*14.3	4.6	5.3	7.9	*10.1	4.4	5.1	7.5	*8.4	*8.4	*8.4	20.3 ft
	-3 m	●	-	-	-	-	5.6	6.7	8.2*	8.2*	3.1	3.6	5.5*	5.5*	-	-	-	-	2.6	3.0	4.5*	4.5*	4.5*	4.5*	5.1 m
-10 ft	■	-	-	-	-	12.3	14.8	*18.1	*18.1	6.8	7.9	*12.1	*12.1	-	-	-	-	5.7	6.6	*9.9	*9.9	*9.9	*9.9	16.7 ft	

Specifications

EWR150E

LIFTING CAPACITY EWR150E - Bolted undercarriage

At the arm end, without bucket and quick fit. For lifting capacity including bucket/quick fit, simply subtract actual weight of those parts from the following values. With heavy counterweight. **Unit: • 1,000 kg / ■ 1,000 lb**

Notes: 1. Working pressure with Power Boost = 37.5 MPa / 5,440 psi. 2. The above values are in compliance with ISO standard 10 567. They do not exceed 87 % of hydraulic lifting capacity or 75 % of tipping load, with the machine on firm, level ground. 3. Load capacities marked with an asterisk (*) are limited by machine's hydraulic lifting capacity rather than tipping load

	Lifting point		Reach from machine centre (u = support up/d = support down)																				
			1.5 m, 5 ft				3.0 m, 10 ft				4.5 m, 15 ft				6.0 m, 20 ft				Max.				
			Across UC		Along UC		Across UC		Along UC		Across UC		Along UC		Across UC		Along UC		Across UC	Along UC	Max.		
			u	d	u	d	u	d	u	d	u	d	u	d	u	d	u	d	u	d			
4.7 m, 15'5" 2 piece boom 2.0 m, 6'7" dipper arm Front parallel blade Rear outriggers	7.5 m	•	-	-	-	-	-	-	-	-	-	-	-	-	-	-	-	-	4.4*	4.4*	4.4*	4.4*	3.5 m
	25 ft	■	-	-	-	-	-	-	-	-	-	-	-	-	-	-	-	-	*9.7	*9.7	*9.7	*9.7	11.5 ft
	6 m	•	-	-	-	-	-	-	-	-	4.1	4.1*	4.1*	4.1*	-	-	-	-	3.1	3.5*	3.5*	3.5*	5.3 m
	20 ft	■	-	-	-	-	-	-	-	9.0	*9.0	*9.0	*9.0	-	-	-	-	6.8	*7.7	*7.7	*7.7	17.4 ft	
	4.5 m	•	-	-	-	-	5.6*	5.6*	5.6*	5.6*	4.0	4.5*	4.5*	4.5*	2.5	4.0*	4.0	4.0*	2.4	3.2*	3.2*	3.2*	6.2 m
	15 ft	■	-	-	-	-	*12.3	*12.3	*12.3	*12.3	8.8	*9.9	*9.9	*9.9	5.5	*8.8	8.8	*8.8	5.3	*7.1	*7.1	*7.1	20.3 ft
	3 m	•	-	-	-	-	-	-	-	-	3.7	5.3*	5.3*	5.3*	2.4	4.2	3.9	4.3*	2.1	3.2*	3.2*	3.2*	6.7 m
	10 ft	■	-	-	-	-	-	-	-	-	8.2	*11.7	*11.7	*11.7	5.3	9.3	8.6	*9.5	4.6	*7.1	*7.1	*7.1	22.0 ft
	1.5 m	•	-	-	-	-	-	-	-	-	3.5	6.1*	5.8	6.1*	2.3	4.1	3.8	4.6*	2.0	3.4	3.1	3.5*	6.8 m
	5 ft	■	-	-	-	-	-	-	-	-	7.7	*13.4	12.8	*13.4	5.1	9.0	8.4	*10.1	4.4	7.5	6.8	*7.7	22.3 ft
	0 m	•	-	-	-	-	4.9*	4.9*	4.9*	4.9*	3.3	6.1	5.6	6.4*	2.3	4.0	3.7	4.7*	2.0	3.6	3.3	3.9*	6.5 m
	0 ft	■	-	-	-	-	*10.8	*10.8	*10.8	*10.8	7.3	13.4	12.3	*14.1	5.1	8.8	8.2	*10.4	4.4	7.9	7.3	*8.6	21.3 ft
	-1.5 m	•	-	-	-	-	5.9	8.6*	8.6*	8.6*	3.3	6.0*	5.6	6.0*	-	-	-	-	2.3	4.1	3.8	4.2*	5.9 m
-5 ft	■	-	-	-	-	13.0	*19.0	*19.0	*19.0	7.3	*13.2	12.3	*13.2	-	-	-	-	5.1	9.0	8.4	*9.3	19.4 ft	
4.7 m, 15'5" 2 piece boom 2.45 m, 8'0" dipper arm Front parallel blade Rear outriggers	7.5 m	•	-	-	-	-	-	-	-	-	-	-	-	-	-	-	-	-	3.3*	3.3*	3.3*	3.3*	4.3 m
	25 ft	■	-	-	-	-	-	-	-	-	-	-	-	-	-	-	-	-	*7.3	*7.3	*7.3	*7.3	14.1 ft
	6 m	•	-	-	-	-	-	-	-	-	3.7*	3.7*	3.7*	3.7*	-	-	-	-	2.7	2.7*	2.7*	2.7*	5.8 m
	20 ft	■	-	-	-	-	-	-	-	*8.2	*8.2	*8.2	*8.2	-	-	-	-	6.0	*6.0	*6.0	*6.0	19.0 ft	
	4.5 m	•	-	-	-	-	-	-	-	-	4.0	4.1*	4.1*	4.1*	2.6	3.7*	3.7*	3.7*	2.1	2.6*	2.6*	2.6*	6.7 m
	15 ft	■	-	-	-	-	-	-	-	-	8.8	*9.0	*9.0	*9.0	5.7	*8.2	*8.2	*8.2	4.6	*5.7	*5.7	*5.7	22.0 ft
	3 m	•	-	-	-	-	6.8	7.5*	7.5*	7.5*	3.8	5.0*	5.0*	5.0*	2.5	4.0*	3.9	4.0*	1.9	2.6*	2.6*	2.6*	7.1 m
	10 ft	■	-	-	-	-	15.0	*16.5	*16.5	*16.5	8.4	*11.0	*11.0	*11.0	5.5	*8.8	8.6	*8.8	4.2	*5.7	*5.7	*5.7	23.3 ft
	1.5 m	•	-	-	-	-	-	-	-	-	3.5	5.9*	5.8	5.9*	2.3	4.1	3.8	4.4*	1.8	2.7*	2.7*	2.7*	7.2 m
	5 ft	■	-	-	-	-	-	-	-	-	7.7	*13.0	12.8	*13.0	5.1	9.0	8.4	*9.7	4.0	*6.0	*6.0	*6.0	23.6 ft
	0 m	•	-	-	-	-	5.4*	5.4*	5.4*	5.4*	3.3	6.1	5.6	6.4*	2.3	4.0	3.7	4.6*	1.8	3.1*	3.0	3.1*	7.0 m
	0 ft	■	-	-	-	-	*11.9	*11.9	*11.9	*11.9	7.3	13.4	12.3	*14.1	5.1	8.8	8.2	*10.1	4.0	*6.8	6.6	*6.8	23.0 ft
	-1.5 m	•	-	-	-	-	5.9	9.2*	9.2*	9.2*	3.3	6.1	5.6	6.2*	2.2	4.0	3.7	4.4*	2.1	3.6	3.4	3.7*	6.4 m
-5 ft	■	-	-	-	-	13.0	*20.3	*20.3	*20.3	7.3	13.4	12.3	*13.7	4.9	8.8	8.2	*9.7	4.6	7.9	7.5	*8.2	21.0 ft	
4.7 m, 15'5" 2 piece boom 2.6 m, 8'6" dipper arm Front parallel blade Rear outriggers	7.5 m	•	-	-	-	-	-	-	-	-	3.0*	3.0*	3.0*	3.0*	-	-	-	-	3.0*	3.0*	3.0*	3.0*	4.5 m
	25 ft	■	-	-	-	-	-	-	-	-	*6.6	*6.6	*6.6	*6.6	-	-	-	-	*6.6	*6.6	*6.6	*6.6	14.8 ft
	6 m	•	-	-	-	-	-	-	-	-	3.5*	3.5*	3.5*	3.5*	-	-	-	-	2.5*	2.5*	2.5*	2.5*	6.0 m
	20 ft	■	-	-	-	-	-	-	-	-	*7.7	*7.7	*7.7	*7.7	-	-	-	-	*5.5	*5.5	*5.5	*5.5	19.7 ft
	4.5 m	•	-	-	-	-	-	-	-	-	3.9*	3.9*	3.9*	3.9*	2.6	3.6*	3.6*	3.6*	2.0	2.4*	2.4*	2.4*	6.8 m
	15 ft	■	-	-	-	-	-	-	-	-	*8.6	*8.6	*8.6	*8.6	5.7	*7.9	*7.9	*7.9	4.4	*5.3	*5.3	*5.3	22.3 ft
	3 m	•	-	-	-	-	6.9	7.2*	7.2*	7.2*	3.8	4.9*	4.9*	4.9*	2.5	4.0*	3.9	4.0*	1.8	2.4*	2.4*	2.4*	7.3 m
	10 ft	■	-	-	-	-	15.2	*15.9	*15.9	*15.9	8.4	*10.8	*10.8	*10.8	5.5	*8.8	8.6	*8.8	4.0	*5.3	*5.3	*5.3	24.0 ft
	1.5 m	•	-	-	-	-	-	-	-	-	3.5	5.8*	5.8*	5.8*	2.3	4.1	3.8	4.4*	1.7	2.5*	2.5*	2.5*	7.4 m
	5 ft	■	-	-	-	-	-	-	-	-	7.7	*12.8	*12.8	*12.8	5.1	9.0	8.4	*9.7	3.7	*5.5	*5.5	*5.5	24.3 ft
	0 m	•	-	-	-	-	5.4*	5.4*	5.4*	5.4*	3.3	6.1	5.6	6.3*	2.2	4.0	3.7	4.6*	1.8	2.8*	2.8*	2.8*	7.1 m
	0 ft	■	-	-	-	-	*11.9	*11.9	*11.9	*11.9	7.3	13.4	12.3	*13.9	4.9	8.8	8.2	*10.1	4.0	*6.2	*6.2	*6.2	23.3 ft
	-1.5 m	•	-	-	-	-	5.9	8.9*	8.9*	8.9*	3.2	6.1	5.5	6.2*	2.2	4.0	3.6	4.5*	2.0	3.4*	3.2	3.4*	6.6 m
-5 ft	■	-	-	-	-	13.0	*19.6	*19.6	*19.6	7.1	13.4	12.1	*13.7	4.9	8.8	7.9	*9.9	4.4	*7.5	7.1	*7.5	21.7 ft	

LIFTING CAPACITY EWR150E - Bolted undercarriage

At the arm end, without bucket and quick fit. For lifting capacity including bucket/quick fit, simply subtract actual weight of those parts from the following values. With heavy counterweight. **Unit: ● 1,000 kg / ■ 1,000 lb**

Notes: 1. Working pressure with Power Boost = 37.5 MPa / 5,440 psi. 2. The above values are in compliance with ISO standard 10 567. They do not exceed 87 % of hydraulic lifting capacity or 75 % of tipping load, with the machine on firm, level ground. 3. Load capacities marked with an asterisk (*) are limited by machine's hydraulic lifting capacity rather than tipping load

	Lifting point	Reach from machine centre (u = support up/d = support down)																					
		1.5 m, 5 ft				3.0 m, 10 ft				4.5 m, 15 ft				6.0 m, 20 ft				Max.					
		Across UC		Along UC		Across UC		Along UC		Across UC		Along UC		Across UC		Along UC		Across UC	Along UC				
		u	d	u	d	u	d	u	d	u	d	u	d	u	d	u	d	u	d				
4.7 m, 15'5" 2 piece boom 2.0 m, 6'7" dipper arm Parallel Blade Rear	7.5 m	●	-	-	-	-	-	-	-	-	-	-	-	-	-	-	-	-	4.4*	4.4*	4.4*	4.4*	3.5 m
	25 ft	■	-	-	-	-	-	-	-	-	-	-	-	-	-	-	-	-	*9.7	*9.7	*9.7	*9.7	11.5 ft
	6 m	●	-	-	-	-	-	-	-	-	3.8	4.1*	4.1*	4.1*	-	-	-	-	2.9	3.3	3.5*	3.5*	5.3 m
	20 ft	■	-	-	-	-	-	-	-	8.4	*9.0	*9.0	*9.0	-	-	-	-	-	6.4	7.3	*7.7	*7.7	17.4 ft
	4.5 m	●	-	-	-	-	5.6*	5.6*	5.6*	5.6*	3.6	4.2	4.5*	4.5*	2.3	2.6	3.8	4.0*	2.2	2.5	3.2*	3.2*	6.2 m
	15 ft	■	-	-	-	-	*12.3	*12.3	*12.3	*12.3	7.9	9.3	*9.9	*9.9	5.1	5.7	8.4	*8.8	4.9	5.5	*7.1	*7.1	20.3 ft
	3 m	●	-	-	-	-	-	-	-	-	3.4	3.9	5.3*	5.3*	2.2	2.5	3.8	4.3*	1.9	2.1	3.2	3.2*	6.7 m
	10 ft	■	-	-	-	-	-	-	-	-	7.5	8.6	*11.7	*11.7	4.9	5.5	8.4	*9.5	4.2	4.6	7.1	*7.1	22.0 ft
	1.5 m	●	-	-	-	-	-	-	-	-	3.1	3.6	5.6	6.1*	2.1	2.4	3.6	4.6*	1.8	2.0	3.0	3.5*	6.8 m
	5 ft	■	-	-	-	-	-	-	-	-	6.8	7.9	12.3	*13.4	4.6	5.3	7.9	*10.1	4.0	4.4	6.6	*7.7	22.3 ft
	0 m	●	-	-	-	-	4.9*	4.9*	4.9*	4.9*	3.0	3.5	5.4	6.4*	2.0	2.4	3.6	4.7*	1.8	2.1	3.2	3.9*	6.5 m
	0 ft	■	-	-	-	-	*10.8	*10.8	*10.8	*10.8	6.6	7.7	11.9	*14.1	4.4	5.3	7.9	*10.4	4.0	4.6	7.1	*8.6	21.3 ft
	-1.5 m	●	-	-	-	-	5.4	6.4	8.6*	8.6*	3.0	3.5	5.4	6.0*	-	-	-	-	2.1	2.4	3.7	4.2*	5.9 m
-5 ft	■	-	-	-	-	11.9	14.1	*19.0	*19.0	6.6	7.7	11.9	*13.2	-	-	-	-	4.6	5.3	8.2	*9.3	19.4 ft	
4.7 m, 15'5" 2 piece boom 2.45 m, 8'0" dipper arm Parallel Blade Rear	7.5 m	●	-	-	-	-	-	-	-	-	-	-	-	-	-	-	-	-	3.3*	3.3*	3.3*	3.3*	4.3 m
	25 ft	■	-	-	-	-	-	-	-	-	-	-	-	-	-	-	-	-	*7.3	*7.3	*7.3	*7.3	14.1 ft
	6 m	●	-	-	-	-	-	-	-	-	3.7*	3.7*	3.7*	-	-	-	-	-	2.5	2.7*	2.7*	2.7*	5.8 m
	20 ft	■	-	-	-	-	-	-	-	*8.2	*8.2	*8.2	*8.2	-	-	-	-	-	5.5	*6.0	*6.0	*6.0	19.0 ft
	4.5 m	●	-	-	-	-	-	-	-	-	3.7	4.1*	4.1*	4.1*	2.3	2.7	3.7*	3.7*	1.9	2.2	2.6*	2.6*	6.7 m
	15 ft	■	-	-	-	-	-	-	-	-	8.2	*9.0	*9.0	*9.0	5.1	6.0	*8.2	*8.2	4.2	4.9	*5.7	*5.7	22.0 ft
	3 m	●	-	-	-	-	6.3	7.4	7.5*	7.5*	3.4	4.0	5.0*	5.0*	2.2	2.6	3.8	4.0*	1.7	1.9	2.6*	2.6*	7.1 m
	10 ft	■	-	-	-	-	13.9	16.3	*16.5	*16.5	7.5	8.8	*11.0	*11.0	4.9	5.7	8.4	*8.8	3.7	4.2	*5.7	*5.7	23.3 ft
	1.5 m	●	-	-	-	-	-	-	-	-	3.2	3.7	5.6	5.9*	2.1	2.4	3.7	4.4*	1.6	1.9	2.7*	2.7*	7.2 m
	5 ft	■	-	-	-	-	-	-	-	-	7.1	8.2	12.3	*13.0	4.6	5.3	8.2	*9.7	3.5	4.2	*6.0	*6.0	23.6 ft
	0 m	●	-	-	-	-	5.3	5.4*	5.4*	5.4*	3	3.5	5.4	6.4*	2	2.4	3.6	4.6*	1.6	1.9	2.9	3.1*	7 m
	0 ft	■	-	-	-	-	11.7	*11.9	*11.9	*11.9	6.6	7.7	11.9	*14.1	4.4	5.3	7.9	*10.1	3.5	4.2	6.4	*6.8	23.0 ft
	-1.5 m	●	-	-	-	-	5.3	6.4	9.2*	9.2*	2.9	3.4	5.4	6.2*	2	2.3	3.5	4.4*	1.8	2.1	3.2	3.7*	6.4 m
-5 ft	■	-	-	-	-	11.7	14.1	*20.3	*20.3	6.4	7.5	11.9	*13.7	4.4	5.1	7.7	*9.7	4.0	4.6	7.1	*8.2	21.0 ft	
4.7 m, 15'5" 2 piece boom 2.6 m, 8'6" dipper arm Parallel Blade Rear	7.5 m	●	-	-	-	-	-	-	-	3.1*	3.0*	3.1*	3.0*	-	-	-	-	-	3.1*	3.0*	3.1*	3.0*	4.5 m
	25 ft	■	-	-	-	-	-	-	-	*6.8	*6.6	*6.8	*6.6	-	-	-	-	-	*6.8	*6.6	*6.8	*6.6	14.8 ft
	6 m	●	-	-	-	-	-	-	-	-	3.5*	3.5*	3.5*	3.5*	-	-	-	-	2.4	2.5*	2.6*	2.5*	6.0 m
	20 ft	■	-	-	-	-	-	-	-	*7.7	*7.7	*7.7	*7.7	-	-	-	-	-	5.3	*5.5	*5.7	*5.5	19.7 ft
	4.5 m	●	-	-	-	-	-	-	-	-	3.7	3.9*	3.9*	3.9*	2.3	2.7	3.6*	3.6*	1.9	2.1	2.4*	2.4*	6.8 m
	15 ft	■	-	-	-	-	-	-	-	-	8.2	*8.6	*8.6	*8.6	5.1	6.0	*7.9	*7.9	4.2	4.6	*5.3	*5.3	22.3 ft
	3 m	●	-	-	-	-	6.3	7.2*	7.1*	7.2*	3.4	4.0	4.8*	4.9*	2.2	2.6	3.8	4.0*	1.6	1.9	2.4*	2.4*	7.3 m
	10 ft	■	-	-	-	-	13.9	*15.9	*15.7	*15.9	7.5	8.8	*10.6	*10.8	4.9	5.7	8.4	*8.8	3.5	4.2	*5.3	*5.3	24.0 ft
	1.5 m	●	-	-	-	-	-	-	-	-	3.2	3.7	5.6	5.8*	2.1	2.4	3.6	4.4*	1.5	1.8	2.5*	2.5*	7.4 m
	5 ft	■	-	-	-	-	-	-	-	-	7.1	8.2	12.3	*12.8	4.6	5.3	7.9	*9.7	3.3	4.0	*5.5	*5.5	24.3 ft
	0 m	●	-	-	-	-	5.3	5.4*	5.5*	5.4*	3.0	3.5	5.4	6.3*	2.0	2.3	3.5	4.6*	1.6	1.8	2.8	2.8*	7.1 m
	0 ft	■	-	-	-	-	11.7	*11.9	*12.1	*11.9	6.6	7.7	11.9	*13.9	4.4	5.1	7.7	*10.1	3.5	4.0	6.2	*6.2	23.3 ft
	-1.5 m	●	-	-	-	-	5.3	6.3	9.0*	8.9*	2.9	3.4	5.3	6.2*	2.0	2.3	3.5	4.5*	1.8	2.1	3.1	3.4*	6.6 m
-5 ft	■	-	-	-	-	11.7	13.9	*19.8	*19.6	6.4	7.5	11.7	*13.7	4.4	5.1	7.7	*9.9	4.0	4.6	6.8	*7.5	21.7 ft	

Specifications

EWR170E

LIFTING CAPACITY EWR170E

At the arm end, without bucket and quick fit. For lifting capacity including bucket/quick fit, simply subtract actual weight of those parts from the following values. With heavy counterweight. **Unit: • 1,000 kg / ■ 1,000 lb**

Notes: 1. Working pressure with Power Boost = 37.5 MPa / 5,440 psi. 2. The above values are in compliance with ISO standard 10 567. They do not exceed 87 % of hydraulic lifting capacity or 75 % of tipping load, with the machine on firm, level ground. 3. Load capacities marked with an asterisk (*) are limited by machine's hydraulic lifting capacity rather than tipping load

	Lifting point	Reach from machine centre (u = support up/d = support down)																					
		3.0 m, 10 ft				4.5 m, 15 ft				6.0 m, 20 ft				7.5 m, 25 ft				Max.					
		Across UC		Along UC		Across UC		Along UC		Across UC		Along UC		Across UC		Along UC		Across UC	Along UC				
		u	d	u	d	u	d	u	d	u	d	u	d	u	d	u	d	u	d				
5.1 m, 16'9" 2-piece boom 2.0 m, 6'7" dipper arm Front blade Rear outriggers	7.5 m	•	-	-	-	-	-	-	-	-	-	-	-	-	-	-	-	-	4.9	5.1*	5.1*	5.1*	4.3 m
	25 ft	■	-	-	-	-	-	-	-	-	-	-	-	-	-	-	-	-	10.8	*11.2	*11.2	*11.2	14.1 ft
	6 m	•	-	-	-	-	4.7	4.8*	4.8*	4.8*	-	-	-	-	-	-	-	-	3.0	4.3*	4.3*	4.3*	5.8 m
	20 ft	■	-	-	-	-	10.4	*10.6	*10.6	*10.6	-	-	-	-	-	-	-	-	6.6	*9.5	*9.5	*9.5	19.0 ft
	4.5 m	•	7.4*	7.4*	7.4*	7.4*	4.5	5.5*	5.5*	5.5*	2.9	4.8*	4.6	4.8*	-	-	-	-	2.4	4.0*	3.8	4.0*	6.7 m
	15 ft	■	*16.3	*16.3	*16.3	*16.3	9.9	*12.1	*12.1	*12.1	6.4	*10.6	10.1	*10.6	-	-	-	-	5.3	*8.8	8.4	*8.8	22.0 ft
	3 m	•	-	-	-	-	4.1	6.8*	6.8*	6.8*	2.8	4.7	4.4	5.3*	-	-	-	-	2.1	3.6	3.4	4.0*	7.1 m
	10 ft	■	-	-	-	-	9.0	*15.0	*15.0	*15.0	6.2	10.4	9.7	*11.7	-	-	-	-	4.6	7.9	7.5	*8.8	23.3 ft
	1.5 m	•	-	-	-	-	3.9	7.0	6.5	7.8*	2.6	4.6	4.3	5.7*	-	-	-	-	2.0	3.5	3.3	4.2*	7.2 m
	5 ft	■	-	-	-	-	8.6	15.4	14.3	*17.2	5.7	10.1	9.5	*12.6	-	-	-	-	4.4	7.7	7.3	*9.3	23.6 ft
	0 m	•	-	-	-	-	3.7	6.8	6.4	8.2*	2.6	4.5	4.2	6.0*	-	-	-	-	2.1	3.6	3.4	4.7*	7.0 m
	0 ft	■	-	-	-	-	8.2	15.0	14.1	*18.1	5.7	9.9	9.3	*13.2	-	-	-	-	4.6	7.9	7.5	*10.4	23.0 ft
	-1.5 m	•	6.8	10.0*	10.0*	10.0*	3.7	6.8	6.4	7.7*	2.6	4.5	4.2	5.6*	-	-	-	-	2.4	4.1	3.9	5.0*	6.4 m
-5 ft	■	15.0	*22.0	*22.0	*22.0	8.2	15.0	14.1	*17.0	5.7	9.9	9.3	*12.3	-	-	-	-	5.3	9.0	8.6	*11.0	21.0 ft	
5.1 m, 16'9" 2-piece boom 2.45 m, 8'0" dipper arm Front blade Rear outriggers	7.5 m	•	-	-	-	-	4.5*	4.5*	4.5*	4.5*	-	-	-	-	-	-	-	-	4.0	4.1*	4.1*	4.1*	5.0 m
	25 ft	■	-	-	-	-	*9.9	*9.9	*9.9	*9.9	-	-	-	-	-	-	-	-	8.8	*9.0	*9.0	*9.0	16.4 ft
	6 m	•	-	-	-	-	4.3*	4.3*	4.3*	4.3*	3.0	4.3*	4.3*	4.3*	-	-	-	-	2.7	3.5*	3.5*	3.5*	6.3 m
	20 ft	■	-	-	-	-	*9.5	*9.5	*9.5	*9.5	6.6	*9.5	*9.5	*9.5	-	-	-	-	6.0	*7.7	*7.7	*7.7	20.7 ft
	4.5 m	•	6.3*	6.3*	6.3*	6.3*	4.5	5.0*	5.0*	5.0*	2.9	4.5*	4.5*	4.5*	-	-	-	-	2.2	3.3*	3.3*	3.3*	7.1 m
	15 ft	■	*13.9	*13.9	*13.9	*13.9	9.9	*11.0	*11.0	*11.0	6.4	*9.9	*9.9	*9.9	-	-	-	-	4.9	*7.3	*7.3	*7.3	23.3 ft
	3 m	•	-	-	-	-	4.2	6.3*	6.3*	6.3*	2.8	4.7	4.5	5.0*	2.0	3.4	3.2	3.8*	1.9	3.3	3.1	3.3*	7.6 m
	10 ft	■	-	-	-	-	9.3	*13.9	*13.9	*13.9	6.2	10.4	9.9	*11.0	4.4	7.5	7.1	*8.4	4.2	7.3	6.8	*7.3	24.9 ft
	1.5 m	•	-	-	-	-	3.9	7.0	6.6	7.5*	2.6	4.6	4.3	5.6*	1.9	3.3	3.1	4.6*	1.9	3.2	3.0	3.5*	7.7 m
	5 ft	■	-	-	-	-	8.6	15.4	14.6	*16.5	5.7	10.1	9.5	*12.3	4.2	7.3	6.8	*10.1	4.2	7.1	6.6	*7.7	25.3 ft
	0 m	•	-	-	-	-	3.7	6.8	6.4	8.1*	2.5	4.5	4.2	5.9*	-	-	-	-	1.9	3.3	3.1	3.9*	7.4 m
	0 ft	■	-	-	-	-	8.2	15.0	14.1	*17.9	5.5	9.9	9.3	*13.0	-	-	-	-	4.2	7.3	6.8	*8.6	24.3 ft
	-1.5 m	•	6.7	9.2*	9.2*	9.2*	3.7	6.8	6.3	7.9*	2.5	4.4	4.2	5.8*	-	-	-	-	2.1	3.7	3.5	4.6*	6.9 m
-5 ft	■	14.8	*20.3	*20.3	*20.3	8.2	15.0	13.9	*17.4	5.5	9.7	9.3	*12.8	-	-	-	-	4.6	8.2	7.7	*10.1	22.6 ft	
-3 m	•	-	-	-	-	3.8	6.8*	6.4	6.8*	-	-	-	-	-	-	-	-	2.9	5.1	4.8	5.3*	5.5 m	
-10 ft	■	-	-	-	-	8.4	*15.0	14.1	*15.0	-	-	-	-	-	-	-	-	6.4	11.2	10.6	*11.7	18.0 ft	
5.1 m, 16'9" 2-piece boom 2.6 m, 8'6" dipper arm Front blade Rear outriggers	7.5 m	•	-	-	-	-	4.3*	4.3*	4.3*	4.3*	-	-	-	-	-	-	-	-	3.7	3.7*	3.7*	3.7*	5.2 m
	25 ft	■	-	-	-	-	*9.5	*9.5	*9.5	*9.5	-	-	-	-	-	-	-	-	8.2	*8.2	*8.2	*8.2	17.1 ft
	6 m	•	-	-	-	-	4.1*	4.1*	4.1*	4.1*	3.0	4.2*	4.2*	4.2*	-	-	-	-	2.6	3.3*	3.3*	3.3*	6.5 m
	20 ft	■	-	-	-	-	*9.0	*9.0	*9.0	*9.0	6.6	*9.3	*9.3	*9.3	-	-	-	-	5.7	*7.3	*7.3	*7.3	21.3 ft
	4.5 m	•	-	-	-	-	4.5	4.9*	4.9*	4.9*	2.9	4.4*	4.4*	4.4*	-	-	-	-	2.1	3.1*	3.1*	3.1*	7.3 m
	15 ft	■	-	-	-	-	9.9	*10.8	*10.8	*10.8	6.4	*9.7	*9.7	*9.7	-	-	-	-	4.6	*6.8	*6.8	*6.8	24.0 ft
	3 m	•	-	-	-	-	4.2	6.1*	6.1*	6.1*	2.8	4.7	4.5	4.9*	2.0	3.4	3.2	4.3*	1.9	3.1*	3.0	3.1*	7.7 m
	10 ft	■	-	-	-	-	9.3	*13.4	*13.4	*13.4	6.2	10.4	9.9	*10.8	4.4	7.5	7.1	*9.5	4.2	*6.8	6.6	*6.8	25.3 ft
	1.5 m	•	-	-	-	-	3.9	7.0	6.6	7.4*	2.6	4.6	4.3	5.5*	1.9	3.3	3.1	4.5*	1.8	3.1	2.9	3.3*	7.8 m
	5 ft	■	-	-	-	-	8.6	15.4	14.6	*16.3	5.7	10.1	9.5	*12.1	4.2	7.3	6.8	*9.9	4.0	6.8	6.4	*7.3	25.6 ft
	0 m	•	4.6*	4.6*	4.6*	4.6*	3.7	6.8	6.4	8.0*	2.5	4.4	4.2	5.8*	1.9	3.2	3.1	4.4*	1.8	3.2	3.0	3.6*	7.6 m
	0 ft	■	*10.1	*10.1	*10.1	*10.1	8.2	15.0	14.1	*17.6	5.5	9.7	9.3	*12.8	4.2	7.1	6.8	*9.7	4.0	7.1	6.6	*7.9	24.9 ft
	-1.5 m	•	6.6	9.0*	9.0*	9.0*	3.7	6.8	6.3	7.9*	2.5	4.4	4.1	5.8*	-	-	-	-	2.0	3.5	3.3	4.2*	7.0 m
-5 ft	■	14.6	*19.8	*19.8	*19.8	8.2	15.0	13.9	*17.4	5.5	9.7	9.0	*12.8	-	-	-	-	4.4	7.7	7.3	*9.3	23.0 ft	
-3 m	•	-	-	-	-	3.7	6.8	6.4	7.0*	-	-	-	-	-	-	-	-	2.6	4.6	4.3	4.9*	5.9 m	
-10 ft	■	-	-	-	-	8.2	15.0	14.1	*15.4	-	-	-	-	-	-	-	-	5.7	10.1	9.5	*10.8	19.4 ft	

LIFTING CAPACITY EWR170E

At the arm end, without bucket and quick fit. For lifting capacity including bucket/quick fit, simply subtract actual weight of those parts from the following values. With heavy counterweight. **Unit: ● 1,000 kg / ■ 1,000 lb**

Notes: 1. Working pressure with Power Boost = 37.5 MPa / 5,440 psi. 2. The above values are in compliance with ISO standard 10 567. They do not exceed 87 % of hydraulic lifting capacity or 75 % of tipping load, with the machine on firm, level ground. 3. Load capacities marked with an asterisk (*) are limited by machine's hydraulic lifting capacity rather than tipping load

	Lifting point	Reach from machine centre (u = support up/d = support down)																					
		3.0 m, 10 ft				4.5 m, 15 ft				6.0 m, 20 ft				7.5 m, 25 ft				Max.					
		Across UC		Along UC		Across UC		Along UC		Across UC		Along UC		Across UC		Along UC		Across UC	Along UC				
		u	d	u	d	u	d	u	d	u	d	u	d	u	d	u	d	u	d				
5.1 m, 16'9" 2-piece boom 3.1 m, 10'2" dipper arm Front blade Rear outriggers	7.5 m	●	-	-	-	-	-	-	-	-	-	-	-	-	-	-	-	3.0*	3.0*	3.0*	3.0*	5.9 m	
	25 ft	■	-	-	-	-	-	-	-	-	-	-	-	-	-	-	-	*6.6	*6.6	*6.6	*6.6	19.4 ft	
	6 m	●	-	-	-	-	-	-	-	3.0	3.7*	3.7*	3.7*	-	-	-	-	2.3	2.6*	2.6*	2.6*	7.1 m	
	20 ft	■	-	-	-	-	-	-	-	6.6	*8.2	*8.2	*8.2	-	-	-	-	5.1	*5.7	*5.7	*5.7	23.3 ft	
	4.5 m	●	-	-	-	-	4.3*	4.3*	4.3*	4.3*	3.0	4.0*	4.0*	4.0*	2.0	3.4	3.2	3.5*	1.9	2.5*	2.5*	2.5*	7.8 m
	15 ft	■	-	-	-	-	*9.5	*9.5	*9.5	*9.5	6.6	*8.8	*8.8	*8.8	4.4	7.5	7.1	*7.7	4.2	*5.5	*5.5	*5.5	25.6 ft
	3 m	●	-	-	-	-	4.3	5.6*	5.6*	5.6*	2.8	4.6*	4.5	4.6*	2.0	3.4	3.2	4.1*	1.7	2.5*	2.5*	2.5*	8.2 m
	10 ft	■	-	-	-	-	9.5	*12.3	*12.3	*12.3	6.2	*10.1	9.9	*10.1	4.4	7.5	7.1	*9.0	3.7	*5.5	*5.5	*5.5	26.9 ft
	1.5 m	●	-	-	-	-	4.0	7.0*	6.7	7.0*	2.7	4.6	4.3	5.2*	1.9	3.3	3.1	4.4*	1.6	2.6*	2.6*	2.6*	8.3 m
	5 ft	■	-	-	-	-	8.8	*15.4	14.8	*15.4	6.0	10.1	9.5	*11.5	4.2	7.3	6.8	*9.7	3.5	*5.7	*5.7	*5.7	27.2 ft
	0 m	●	5.2*	5.2*	5.2*	5.2*	3.7	6.8	6.4	7.9*	2.5	4.5	4.2	5.7*	1.8	3.2	3.0	4.6*	1.7	2.9*	2.7	2.9*	8.1 m
	0 ft	■	*11.5	*11.5	*11.5	*11.5	8.2	15.0	14.1	*17.4	5.5	9.9	9.3	*12.6	4.0	7.1	6.6	*10.1	3.7	*6.4	6.0	*6.4	26.6 ft
	-1.5 m	●	6.6	8.2*	8.2*	8.2*	3.6	6.7	6.3	8.0*	2.5	4.4	4.1	5.8*	1.8	3.2	3.0	4.0*	1.8	3.2	3.0	3.3*	7.6 m
	-5 ft	■	14.6	*18.1	*18.1	*18.1	7.9	14.8	13.9	*17.6	5.5	9.7	9.0	*12.8	4.0	7.1	6.6	*8.8	4.0	7.1	6.6	*7.3	24.9 ft
-3 m	●	6.7	10.8*	10.8*	10.8*	3.7	6.8	6.3	7.4*	2.5	4.4	4.1	5.3*	-	-	-	-	2.2	3.8	3.6	4.2*	6.7 m	
-10 ft	■	14.8	*23.8	*23.8	*23.8	8.2	15.0	13.9	*16.3	5.5	9.7	9.0	*11.7	-	-	-	-	4.9	8.4	7.9	*9.3	22.0 ft	
5.1 m, 16'9" 2-piece boom 2.95 m, 9'8" grab arm Front blade Rear outriggers	7.5 m	●	-	-	-	-	-	-	-	-	-	-	-	-	-	-	-	3.3	3.5*	3.5*	3.5*	5.8 m	
	25 ft	■	-	-	-	-	-	-	-	-	-	-	-	-	-	-	-	7.3	*7.7	*7.7	*7.7	19.0 ft	
	6 m	●	-	-	-	-	-	-	-	-	3.2	4.1*	4.1*	4.1*	-	-	-	-	2.5	3.1*	3.1*	3.1*	7.0 m
	20 ft	■	-	-	-	-	-	-	-	-	7.1	*9.0	*9.0	*9.0	-	-	-	-	5.5	*6.8	*6.8	*6.8	23.0 ft
	4.5 m	●	-	-	-	-	4.7*	4.7*	4.7*	4.7*	3.2	4.3*	4.3*	4.3*	2.2	3.6	3.4	3.8*	2.1	2.9*	2.9*	2.9*	7.7 m
	15 ft	■	-	-	-	-	*10.4	*10.4	*10.4	*10.4	7.1	*9.5	*9.5	*9.5	4.9	7.9	7.5	*8.4	4.6	*6.4	*6.4	*6.4	25.3 ft
	3 m	●	-	-	-	-	4.5	6.0*	6.0*	6.0*	3.0	4.9*	4.7	4.9*	2.2	3.6	3.4	4.4*	1.9	2.9*	2.9*	2.9*	8.1 m
	10 ft	■	-	-	-	-	9.9	*13.2	*13.2	*13.2	6.6	*10.8	10.4	*10.8	4.9	7.9	7.5	*9.7	4.2	*6.4	*6.4	*6.4	26.6 ft
	1.5 m	●	-	-	-	-	4.2	7.3	6.9	7.4*	2.9	4.8	4.5	5.6*	2.1	3.5	3.3	4.7*	1.9	3.0*	2.9	3.0*	8.2 m
	5 ft	■	-	-	-	-	9.3	16.1	15.2	*16.3	6.4	10.6	9.9	*12.3	4.6	7.7	7.3	*10.4	4.2	*6.6	6.4	*6.6	26.9 ft
	0 m	●	-	-	-	-	3.9	7.1	6.6	8.2*	2.7	4.7	4.4	6.0*	2.1	3.4	3.3	4.8*	1.9	3.2	3.0	3.2*	8.0 m
	0 ft	■	-	-	-	-	8.6	15.7	14.6	*18.1	6.0	10.4	9.7	*13.2	4.6	7.5	7.3	*10.6	4.2	7.1	6.6	*7.1	26.2 ft
	-1.5 m	●	6.8	8.1*	8.1*	8.1*	3.9	7.0	6.5	8.3*	2.7	4.6	4.3	6.1*	-	-	-	-	2.1	3.5	3.3	3.7*	7.5 m
	-5 ft	■	15.0	*17.9	*17.9	*17.9	8.6	15.4	14.3	*18.3	6.0	10.1	9.5	*13.4	-	-	-	-	4.6	7.7	7.3	*8.2	24.6 ft
-3 m	●	6.9	10.9*	10.9*	10.9*	3.9	7.0	6.6	7.5*	2.7	4.6	4.4	5.4*	-	-	-	-	2.5	4.2	3.9	4.6*	6.5 m	
-10 ft	■	15.2	*24.0	*24.0	*24.0	8.6	15.4	14.6	*16.5	6.0	10.1	9.7	*11.9	-	-	-	-	5.5	9.3	8.6	*10.1	21.3 ft	
5.1 m, 16'9" 2-piece boom 2.0 m, 6'7" dipper arm Rear blade	7.5 m	●	-	-	-	-	-	-	-	-	-	-	-	-	-	-	-	-	4.7	5.1*	5.1*	5.1*	4.3 m
	25 ft	■	-	-	-	-	-	-	-	-	-	-	-	-	-	-	-	-	10.4	*11.2	*11.2	*11.2	14.1 ft
	6 m	●	-	-	-	-	4.4	4.8*	4.8*	4.8*	-	-	-	-	-	-	-	-	2.9	3.3	4.3*	4.3*	5.8 m
	20 ft	■	-	-	-	-	9.7	*10.6	*10.6	*10.6	-	-	-	-	-	-	-	-	6.4	7.3	*9.5	*9.5	19.0 ft
	4.5 m	●	7.4*	7.4*	7.4*	7.4*	4.2	4.8	5.5*	5.5*	2.7	3.1	4.5	4.8*	-	-	-	-	2.3	2.6	3.7	4.0*	6.7 m
	15 ft	■	*16.3	*16.3	*16.3	*16.3	9.3	10.6	*12.1	*12.1	6.0	6.8	9.9	*10.6	-	-	-	-	5.1	5.7	8.2	*8.8	22.0 ft
	3 m	●	-	-	-	-	3.9	4.5	6.7	6.8*	2.6	3.0	4.3	5.3*	-	-	-	-	2.0	2.3	3.3	4.0*	7.1 m
	10 ft	■	-	-	-	-	8.6	9.9	14.8	*15.0	5.7	6.6	9.5	*11.7	-	-	-	-	4.4	5.1	7.3	*8.8	23.3 ft
	1.5 m	●	-	-	-	-	3.6	4.2	6.4	7.8*	2.5	2.8	4.2	5.7*	-	-	-	-	1.9	2.2	3.2	4.2*	7.2 m
	5 ft	■	-	-	-	-	7.9	9.3	14.1	*17.2	5.5	6.2	9.3	*12.6	-	-	-	-	4.2	4.9	7.1	*9.3	23.6 ft
	0 m	●	-	-	-	-	3.5	4.1	6.3	8.2*	2.4	2.8	4.1	6.0*	-	-	-	-	2.0	2.3	3.3	4.7*	7.0 m
	0 ft	■	-	-	-	-	7.7	9.0	13.9	*18.1	5.3	6.2	9.0	*13.2	-	-	-	-	4.4	5.1	7.3	*10.4	23.0 ft
	-1.5 m	●	6.4	7.6	10.0*	10.0*	3.5	4.1	6.3	7.7*	2.4	2.8	4.1	5.6*	-	-	-	-	2.2	2.5	3.8	5.0*	6.4 m
	-5 ft	■	14.1	16.8	*22.0	*22.0	7.7	9.0	13.9	*17.0	5.3	6.2	9.0	*12.3	-	-	-	-	4.9	5.5	8.4	*11.0	21.0 ft

Specifications

EWR170E

LIFTING CAPACITY EWR170E

At the arm end, without bucket and quick fit. For lifting capacity including bucket/quick fit, simply subtract actual weight of those parts from the following values. With heavy counterweight. **Unit: ● 1,000 kg / ■ 1,000 lb**

Notes: 1. Working pressure with Power Boost = 37.5 MPa / 5,440 psi. 2. The above values are in compliance with ISO standard 10 567. They do not exceed 87 % of hydraulic lifting capacity or 75 % of tipping load, with the machine on firm, level ground. 3. Load capacities marked with an asterisk (*) are limited by machine's hydraulic lifting capacity rather than tipping load

	Lifting point	Reach from machine centre (u = support up/d = support down)																					
		3.0 m, 10 ft				4.5 m, 15 ft				6.0 m, 20 ft				7.5 m, 25 ft				Max.					
		Across UC		Along UC		Across UC		Along UC		Across UC		Along UC		Across UC		Along UC		Across UC	Along UC				
		u	d	u	d	u	d	u	d	u	d	u	d	u	d	u	d	u	d				
5.1 m, 16'9" 2-piece boom 2.45 m, 8'0" dipper arm Rear blade	7.5 m	●	-	-	-	4.5	4.5*	4.5*	4.5*	-	-	-	-	-	-	-	3.8	4.1*	4.1*	4.1*	5.0 m		
	25 ft	■	-	-	-	9.9	*9.9	*9.9	*9.9	-	-	-	-	-	-	-	8.4	*9.0	*9.0	*9.0	16.4 ft		
	6 m	●	-	-	-	4.3*	4.3*	4.3*	4.3*	2.8	3.2	4.3*	4.3*	-	-	-	2.5	2.9	3.5*	3.5*	6.3 m		
	20 ft	■	-	-	-	*9.5	*9.5	*9.5	*9.5	6.2	7.1	*9.5	*9.5	-	-	-	5.5	6.4	*7.7	*7.7	20.7 ft		
	4.5 m	●	6.3*	6.3*	6.3*	6.3*	4.3	4.9	5.0*	5.0*	2.7	3.1	4.5*	4.5*	-	-	2.0	2.3	3.3*	3.3*	7.1 m		
	15 ft	■	*13.9	*13.9	*13.9	*13.9	9.5	10.8	*11.0	*11.0	6.0	6.8	*9.9	*9.9	-	-	4.4	5.1	*7.3	*7.3	23.3 ft		
	3 m	●	-	-	-	-	4.0	4.5	6.3*	6.3*	2.6	3.0	4.4	5.0*	1.8	2.1	3.1	3.8*	1.8	2.1	3.0	3.3*	7.6 m
	10 ft	■	-	-	-	-	8.8	9.9	*13.9	*13.9	5.7	6.6	9.7	*11.0	4.0	4.6	6.8	*8.4	4.0	4.6	6.6	*7.3	24.9 ft
	1.5 m	●	-	-	-	-	3.6	4.2	6.4	7.5*	2.5	2.8	4.2	5.6*	1.8	2.1	3.0	4.6*	1.7	2.0	2.9	3.5*	7.7 m
	5 ft	■	-	-	-	-	7.9	9.3	14.1	*16.5	5.5	6.2	9.3	*12.3	4.0	4.6	6.6	*10.1	3.7	4.4	6.4	*7.7	25.3 ft
	0 m	●	-	-	-	-	3.5	4.0	6.2	8.1*	2.4	2.7	4.1	5.9*	-	-	-	1.8	2.0	3.0	3.9*	7.4 m	
	0 ft	■	-	-	-	-	7.7	8.8	13.7	*17.9	5.3	6.0	9.0	*13.0	-	-	-	4.0	4.4	6.6	*8.6	24.3 ft	
	-1.5 m	●	6.3	7.4	9.2*	9.2*	3.4	4.0	6.2	7.9*	2.3	2.7	4.1	5.8*	-	-	-	2.0	2.3	3.4	4.6*	6.9 m	
	-5 ft	■	13.9	16.3	*20.3	*20.3	7.5	8.8	13.7	*17.4	5.1	6.0	9.0	*12.8	-	-	-	4.4	5.1	7.5	*10.1	22.6 ft	
-3 m	●	-	-	-	-	3.5	4.1	6.3	6.8*	-	-	-	-	-	-	-	2.7	3.1	4.6	5.3*	5.5 m		
-10 ft	■	-	-	-	-	7.7	9.0	13.9	*15.0	-	-	-	-	-	-	-	6.0	6.8	10.1	*11.7	18.0 ft		
5.1 m, 16'9" 2-piece boom 2.6 m, 8'6" dipper arm Rear blade	7.5 m	●	-	-	-	4.3*	4.3*	4.3*	4.3*	-	-	-	-	-	-	-	3.5	3.7*	3.7*	3.7*	5.2 m		
	25 ft	■	-	-	-	*9.5	*9.5	*9.5	*9.5	-	-	-	-	-	-	-	7.7	*8.2	*8.2	*8.2	17.1 ft		
	6 m	●	-	-	-	4.1*	4.1*	4.1*	4.1*	2.8	3.2	4.2*	4.2*	-	-	-	2.4	2.7	3.3*	3.3*	6.5 m		
	20 ft	■	-	-	-	*9.0	*9.0	*9.0	*9.0	6.2	7.1	*9.3	*9.3	-	-	-	5.3	6.0	*7.3	*7.3	21.3 ft		
	4.5 m	●	-	-	-	4.3	4.9*	4.9*	4.9*	2.7	3.1	4.4*	4.4*	-	-	-	2.0	2.2	3.1*	3.1*	7.3 m		
	15 ft	■	-	-	-	9.5	*10.8	*10.8	*10.8	6.0	6.8	*9.7	*9.7	-	-	-	4.4	4.9	*6.8	*6.8	24.0 ft		
	3 m	●	-	-	-	-	4.0	4.6	6.1*	6.1*	2.6	3.0	4.4	4.9*	1.8	2.1	3.1	4.3*	1.7	2.0	3.0	3.1*	7.7 m
	10 ft	■	-	-	-	-	8.8	10.1	*13.4	*13.4	5.7	6.6	9.7	*10.8	4.0	4.6	6.8	*9.5	3.7	4.4	6.6	*6.8	25.3 ft
	1.5 m	●	-	-	-	-	3.7	4.2	6.4	7.4*	2.5	2.8	4.2	5.5*	1.8	2.0	3.0	4.5*	1.7	1.9	2.9	3.3*	7.8 m
	5 ft	■	-	-	-	-	8.2	9.3	14.1	*16.3	5.5	6.2	9.3	*12.1	4.0	4.4	6.6	*9.9	3.7	4.2	6.4	*7.3	25.6 ft
	0 m	●	4.6*	4.6*	4.6*	4.6*	3.5	4.0	6.2	8.0*	2.4	2.7	4.1	5.8*	1.7	2.0	3.0	4.4*	1.7	2.0	2.9	3.6*	7.6 m
	0 ft	■	*10.1	*10.1	*10.1	*10.1	7.7	8.8	13.7	*17.6	5.3	6.0	9.0	*12.8	3.7	4.4	6.6	*9.7	3.7	4.4	6.4	*7.9	24.9 ft
	-1.5 m	●	6.2	7.4	9.0*	9.0*	3.4	4.0	6.2	7.9*	2.3	2.7	4.0	5.8*	-	-	-	1.9	2.2	3.3	4.2*	7.0 m	
	-5 ft	■	13.7	16.3	*19.8	*19.8	7.5	8.8	13.7	*17.4	5.1	6.0	8.8	*12.8	-	-	-	4.2	4.9	7.3	*9.3	23.0 ft	
-3 m	●	-	-	-	-	3.5	4.0	6.2	7.0*	-	-	-	-	-	-	-	2.4	2.8	4.2	4.9*	5.9 m		
-10 ft	■	-	-	-	-	7.7	8.8	13.7	*15.4	-	-	-	-	-	-	-	5.3	6.2	9.3	*10.8	19.4 ft		

LIFTING CAPACITY EWR170E

At the arm end, without bucket and quick fit. For lifting capacity including bucket/quick fit, simply subtract actual weight of those parts from the following values. With heavy counterweight. **Unit: ● 1,000 kg / ■ 1,000 lb**

Notes: 1. Working pressure with Power Boost = 37.5 MPa / 5,440 psi. 2. The above values are in compliance with ISO standard 10 567. They do not exceed 87 % of hydraulic lifting capacity or 75 % of tipping load, with the machine on firm, level ground. 3. Load capacities marked with an asterisk (*) are limited by machine's hydraulic lifting capacity rather than tipping load

	Lifting point	Reach from machine centre (u = support up/d = support down)																					
		3.0 m, 10 ft				4.5 m, 15 ft				6.0 m, 20 ft				7.5 m, 25 ft				Max.					
		Across UC		Along UC		Across UC		Along UC		Across UC		Along UC		Across UC		Along UC		Across UC	Along UC				
		u	d	u	d	u	d	u	d	u	d	u	d	u	d	u	d	u	d				
5.1 m, 16'9" 2-piece boom 3.1 m, 10'2" dipper arm Rear blade	7.5 m	●	-	-	-	-	-	-	-	-	-	-	-	-	-	-	-	2.9	3.0*	3.0*	3.0*	5.9 m	
	25 ft	■	-	-	-	-	-	-	-	-	-	-	-	-	-	-	-	6.4	*6.6	*6.6	*6.6	19.4 ft	
	6 m	●	-	-	-	-	-	-	-	2.9	3.3	3.7*	3.7*	-	-	-	-	2.1	2.4	2.6*	2.6*	7.1 m	
	20 ft	■	-	-	-	-	-	-	-	6.4	7.3	*8.2	*8.2	-	-	-	-	4.6	5.3	*5.7	*5.7	23.3 ft	
	4.5 m	●	-	-	-	-	4.3*	4.3*	4.3*	4.3*	2.8	3.2	4.0*	4.0*	1.9	2.2	3.2	3.5*	1.8	2.0	2.5*	2.5*	7.8 m
	15 ft	■	-	-	-	-	*9.5	*9.5	*9.5	*9.5	6.2	7.1	*8.8	*8.8	4.2	4.9	7.1	*7.7	4.0	4.4	*5.5	*5.5	25.6 ft
	3 m	●	-	-	-	-	4.1	4.7	5.6*	5.6*	2.6	3.0	4.4	4.6*	1.9	2.1	3.1	4.1*	1.6	1.8	2.5*	2.5*	8.2 m
	10 ft	■	-	-	-	-	9.0	10.4	*12.3	*12.3	5.7	6.6	9.7	*10.1	4.2	4.6	6.8	*9.0	3.5	4.0	*5.5	*5.5	26.9 ft
	1.5 m	●	-	-	-	-	3.7	4.3	6.5	7.0*	2.5	2.9	4.2	5.2*	1.8	2.0	3.0	4.4*	1.5	1.8	2.6	2.6*	8.3 m
	5 ft	■	-	-	-	-	8.2	9.5	14.3	*15.4	5.5	6.4	9.3	*11.5	4.0	4.4	6.6	*9.7	3.3	4.0	5.7	*5.7	27.2 ft
	0 m	●	5.2*	5.2*	5.2*	5.2*	3.5	4.1	6.2	7.9*	2.4	2.7	4.1	5.7*	1.7	2.0	3.0	4.6*	1.5	1.8	2.7	2.9*	8.1 m
	0 ft	■	*11.5	*11.5	*11.5	*11.5	7.7	9.0	13.7	*17.4	5.3	6.0	9.0	*12.6	3.7	4.4	6.6	*10.1	3.3	4.0	6.0	*6.4	26.6 ft
	-1.5 m	●	6.1	7.3	8.2*	8.2*	3.4	4.0	6.1	8.0*	2.3	2.7	4.0	5.8*	1.7	2.0	2.9	4.0*	1.7	1.9	2.9	3.3*	7.6 m
	-5 ft	■	13.4	16.1	*18.1	*18.1	7.5	8.8	13.4	*17.6	5.1	6.0	8.8	*12.8	3.7	4.4	6.4	*8.8	3.7	4.2	6.4	*7.3	24.9 ft
-3 m	●	6.3	7.4	10.8*	10.8*	3.4	4.0	6.2	7.4*	2.3	2.7	4.0	5.3*	-	-	-	-	2.0	2.3	3.5	4.2*	6.7 m	
-10 ft	■	13.9	16.3	*23.8*	*23.8	7.5	8.8	13.7	*16.3	5.1	6.0	8.8	*11.7	-	-	-	-	4.4	5.1	7.7	*9.3	22.0 ft	
5.1 m, 16'9" 2-piece boom 2.95 m, 9'8" grab arm Rear blade	7.5 m	●	-	-	-	-	-	-	-	-	-	-	-	-	-	-	-	3.2	3.5*	3.5*	3.5*	5.8 m	
	25 ft	■	-	-	-	-	-	-	-	-	-	-	-	-	-	-	-	7.1	*7.7	*7.7	*7.7	19.0 ft	
	6 m	●	-	-	-	-	-	-	-	3.1	3.4	4.1*	4.1*	-	-	-	-	2.4	2.7	3.1*	3.1*	7.0 m	
	20 ft	■	-	-	-	-	-	-	-	6.8	7.5	*9.0	*9.0	-	-	-	-	5.3	6.0	*6.8	*6.8	23.0 ft	
	4.5 m	●	-	-	-	-	4.6	4.7*	4.7*	4.7*	3.0	3.4	4.3*	4.3*	2.1	2.4	3.4	3.8*	2.0	2.3	2.9*	2.9*	7.7 m
	15 ft	■	-	-	-	-	10.1	*10.4	*10.4	*10.4	6.6	7.5	*9.5	*9.5	4.6	5.3	7.5	*8.4	4.4	5.1	*6.4	*6.4	25.3 ft
	3 m	●	-	-	-	-	4.3	4.9	6.0*	6.0*	2.8	3.2	4.6	4.9*	2.1	2.3	3.3	4.4*	1.8	2.1	2.9*	2.9*	8.1 m
	10 ft	■	-	-	-	-	9.5	10.8	*13.2	*13.2	6.2	7.1	10.1	*10.8	4.6	5.1	7.3	*9.7	4.0	4.6	*6.4	*6.4	26.6 ft
	1.5 m	●	-	-	-	-	3.9	4.5	6.7	7.4*	2.7	3.1	4.4	5.6*	2.0	2.3	3.2	4.7*	1.7	2.0	2.9	3.0*	8.2 m
	5 ft	■	-	-	-	-	8.6	9.9	14.8	*16.3	6.0	6.8	9.7	*12.3	4.4	5.1	7.1	*10.4	3.7	4.4	6.4	*6.6	26.9 ft
	0 m	●	-	-	-	-	3.7	4.3	6.5	8.2*	2.6	2.9	4.3	6.0*	1.9	2.2	3.2	4.8*	1.8	2.0	2.9	3.2*	8.0 m
	0 ft	■	-	-	-	-	8.2	9.5	14.3	*18.1	5.7	6.4	9.5	*13.2	4.2	4.9	7.1	*10.6	4.0	4.4	6.4	*7.1	26.2 ft
	-1.5 m	●	6.4	7.6	8.1*	8.1*	3.6	4.2	6.4	8.3*	2.5	2.9	4.2	6.1*	-	-	-	-	1.9	2.2	3.2	3.7*	7.5 m
	-5 ft	■	14.1	16.8	*17.9	*17.9	7.9	9.3	14.1	*18.3	5.5	6.4	9.3	*13.4	-	-	-	-	4.2	4.9	7.1	*8.2	24.6 ft
-3 m	●	6.5	7.7	10.9*	10.9*	3.7	4.2	6.4	7.5*	2.5	2.9	4.3	5.4*	-	-	-	-	2.3	2.6	3.8	4.6*	6.5 m	
-10 ft	■	14.3	17.0	*24.0*	*24.0	8.2	9.3	14.1	*16.5	5.5	6.4	9.5	*11.9	-	-	-	-	5.1	5.7	8.4	*10.1	21.3 ft	
5.2 m, 17'1" 2-piece offset boom 2.0 m, 6'7" dipper arm Front blade Rear outriggers	7.5 m	●	-	-	-	-	-	-	-	-	-	-	-	-	-	-	-	4.1*	4.1*	4.1*	4.1*	4.4 m	
	25 ft	■	-	-	-	-	-	-	-	-	-	-	-	-	-	-	-	*9.0	*9.0	*9.0	*9.0	14.4 ft	
	6 m	●	-	-	-	-	4.6*	4.6*	4.6*	4.6*	-	-	-	-	-	-	-	3.0	3.5*	3.5*	3.5*	5.9 m	
	20 ft	■	-	-	-	-	*10.1	*10.1	*10.1	*10.1	-	-	-	-	-	-	-	-	6.6	*7.7	*7.7	*7.7	19.4 ft
	4.5 m	●	7.3*	7.3*	7.3*	7.3*	4.4	5.4*	5.4*	5.4*	2.9	4.6*	4.6	4.6*	-	-	-	-	2.3	3.3*	3.3*	3.3*	6.8 m
	15 ft	■	*16.1	*16.1	*16.1	*16.1	9.7	*11.9	*11.9	*11.9	6.4	*10.1	10.1	*10.1	-	-	-	-	5.1	*7.3	*7.3	*7.3	22.3 ft
	3 m	●	-	-	-	-	4.1	6.6*	6.6*	6.6*	2.7	4.7	4.4	5.1*	-	-	-	-	2.0	3.3*	3.3	3.3*	7.2 m
	10 ft	■	-	-	-	-	9.0	*14.6	*14.6	*14.6	6.0	10.4	9.7	*11.2	-	-	-	-	4.4	*7.3	7.3	*7.3	23.6 ft
	1.5 m	●	-	-	-	-	3.7	6.9	6.4	7.6*	2.6	4.5	4.2	5.6*	-	-	-	-	1.9	3.4	3.2	3.6*	7.3 m
	5 ft	■	-	-	-	-	8.2	15.2	14.1	*16.8	5.7	9.9	9.3	*12.3	-	-	-	-	4.2	7.5	7.1	*7.9	24.0 ft
	0 m	●	-	-	-	-	3.6	6.7	6.3	7.9*	2.5	4.4	4.1	5.8*	-	-	-	-	2.0	3.5	3.3	4.0*	7.1 m
	0 ft	■	-	-	-	-	7.9	14.8	13.9	*17.4	5.5	9.7	9.0	*12.8	-	-	-	-	4.4	7.7	7.3	*8.8	23.3 ft
	-1.5 m	●	6.5	7.3*	7.3*	7.3*	3.6	6.7	6.3	7.6*	2.5	4.4	4.1	5.6*	-	-	-	-	2.2	4.0	3.7	4.9*	6.5 m
	-5 ft	■	14.3	*16.1	*16.1	*16.1	7.9	14.8	13.9	*16.8	5.5	9.7	9.0	*12.3	-	-	-	-	4.9	8.8	8.2	*10.8	21.3 ft

Specifications

EWR170E

LIFTING CAPACITY EWR170E

At the arm end, without bucket and quick fit. For lifting capacity including bucket/quick fit, simply subtract actual weight of those parts from the following values. With heavy counterweight. **Unit: ● 1,000 kg / ■ 1,000 lb**

Notes: 1. Working pressure with Power Boost = 37.5 MPa / 5,440 psi. 2. The above values are in compliance with ISO standard 10 567. They do not exceed 87 % of hydraulic lifting capacity or 75 % of tipping load, with the machine on firm, level ground. 3. Load capacities marked with an asterisk (*) are limited by machine's hydraulic lifting capacity rather than tipping load

	Lifting point	Reach from machine centre (u = support up/d = support down)																					
		3.0 m, 10 ft				4.5 m, 15 ft				6.0 m, 20 ft				7.5 m, 25 ft				Max.					
		Across UC		Along UC		Across UC		Along UC		Across UC		Along UC		Across UC		Along UC		Across UC	Along UC				
		u	d	u	d	u	d	u	d	u	d	u	d	u	d	u	d	u	d				
5.2 m, 17'1" 2-piece offset boom 2.45 m, 8'0" dipper arm Front blade Rear outriggers	7.5 m	●	-	-	-	4.2*	4.2*	4.2*	4.2*	-	-	-	-	-	-	-	3.1*	3.1*	3.1*	3.1*	5.1 m		
	25 ft	■	-	-	-	*9.3	*9.3	*9.3	*9.3	-	-	-	-	-	-	-	*6.8	*6.8	*6.8	*6.8	16.7 ft		
	6 m	●	-	-	-	4.2*	4.2*	4.2*	4.2*	3.0	3.9*	3.9*	3.9*	-	-	-	2.6	2.7*	2.7*	2.7*	6.4 m		
	20 ft	■	-	-	-	*9.3	*9.3	*9.3	*9.3	6.6	*8.6	*8.6	*8.6	-	-	-	5.7	*6.0	*6.0	*6.0	21.0 ft		
	4.5 m	●	5.9*	5.9*	5.9*	5.9*	4.5	4.9*	4.9*	4.9*	2.9	4.3*	4.3*	4.3*	-	-	-	2.1	2.6*	2.6*	2.6*	7.2 m	
	15 ft	■	*13.0	*13.0	*13.0	*13.0	9.9	*10.8	*10.8	*10.8	6.4	*9.5	*9.5	*9.5	-	-	-	4.6	*5.7	*5.7	*5.7	23.6 ft	
	3 m	●	-	-	-	-	4.2	6.2*	6.2*	6.2*	2.7	4.7	4.5	4.8*	1.9	3.3	3.1	3.4*	1.9	2.6*	2.6*	2.6*	7.6 m
	10 ft	■	-	-	-	-	9.3	*13.7	*13.7	*13.7	6.0	10.4	9.9	*10.6	4.2	7.3	6.8	*7.5	4.2	*5.7	*5.7	*5.7	24.9 ft
	1.5 m	●	-	-	-	-	3.8	6.9	6.5	7.3*	2.6	4.5	4.3	5.4*	1.9	3.3	3.1	4.2*	1.8	2.8*	2.8*	2.8*	7.7 m
	5 ft	■	-	-	-	-	8.4	15.2	14.3	*16.1	5.7	9.9	9.5	*11.9	4.2	7.3	6.8	*9.3	4.0	*6.2	*6.2	*6.2	25.3 ft
	0 m	●	-	-	-	-	3.6	6.7	6.3	7.9*	2.5	4.4	4.1	5.7*	1.8	3.2	3.0	3.3*	1.8	3.1*	3.0	3.1*	7.5 m
	0 ft	■	-	-	-	-	7.9	14.8	13.9	*17.4	5.5	9.7	9.0	*12.6	4.0	7.1	6.6	*7.3	4.0	*6.8	6.6	*6.8	24.6 ft
	-1.5 m	●	6.4	6.7*	6.7*	6.7*	3.5	6.7	6.2	7.7*	2.4	4.4	4.1	5.7*	-	-	-	2.0	3.6	3.3	3.8*	7.0 m	
	-5 ft	■	14.1	*14.8	*14.8	*14.8	7.7	14.8	13.7	*17.0	5.3	9.7	9.0	*12.6	-	-	-	4.4	7.9	7.3	*8.4	23.0 ft	
-3 m	●	-	-	-	-	3.6	6.7	6.3	6.8*	-	-	-	-	-	-	-	2.5	4.5	4.2	4.8*	5.9 m		
-10 ft	■	-	-	-	-	7.9	14.8	13.9	*15.0	-	-	-	-	-	-	-	5.5	9.9	9.3	*10.6	19.4 ft		
5.2 m, 17'1" 2-piece offset boom 2.0 m, 6'7" dipper arm Rear blade	7.5 m	●	-	-	-	-	-	-	-	-	-	-	-	-	-	-	4.1*	4.1*	4.1*	4.1*	4.4 m		
	25 ft	■	-	-	-	-	-	-	-	-	-	-	-	-	-	-	*9.0	*9.0	*9.0	*9.0	14.4 ft		
	6 m	●	-	-	-	-	4.4	4.6*	4.6*	4.6*	-	-	-	-	-	-	2.8	3.2	3.5*	3.5*	5.9 m		
	20 ft	■	-	-	-	-	9.7	*10.1	*10.1	*10.1	-	-	-	-	-	-	6.2	7.1	*7.7	*7.7	19.4 ft		
	4.5 m	●	7.3*	7.3*	7.3*	7.3*	4.2	4.8	5.4*	5.4*	2.7	3.1	4.5	4.6*	-	-	-	2.2	2.5	3.3*	3.3*	6.8 m	
	15 ft	■	*16.1	*16.1	*16.1	*16.1	9.3	10.6	*11.9	*11.9	6.0	6.8	9.9	*10.1	-	-	-	4.9	5.5	*7.3	*7.3	22.3 ft	
	3 m	●	-	-	-	-	3.8	4.4	6.6*	6.6*	2.5	2.9	4.3	5.1*	-	-	-	1.9	2.2	3.2	3.3*	7.2 m	
	10 ft	■	-	-	-	-	8.4	9.7	*14.6	*14.6	5.5	6.4	9.5	*11.2	-	-	-	4.2	4.9	7.1	*7.3	23.6 ft	
	1.5 m	●	-	-	-	-	3.5	4.1	6.3	7.6*	2.4	2.8	4.1	5.6*	-	-	-	1.8	2.1	3.1	3.6*	7.3 m	
	5 ft	■	-	-	-	-	7.7	9.0	13.9	*16.8	5.3	6.2	9.0	*12.3	-	-	-	4.0	4.6	6.8	*7.9	24.0 ft	
	0 m	●	-	-	-	-	3.3	3.9	6.1	7.9*	2.3	2.7	4.0	5.8*	-	-	-	1.8	2.1	3.2	4.0*	7.1 m	
	0 ft	■	-	-	-	-	7.3	8.6	13.4	*17.4	5.1	6.0	8.8	*12.8	-	-	-	4.0	4.6	7.1	*8.8	23.3 ft	
	-1.5 m	●	6.1	7.3	7.3*	7.3*	3.3	3.9	6.1	7.6*	2.3	2.7	4.0	5.6*	-	-	-	2.1	2.4	3.6	4.9*	6.5 m	
	-5 ft	■	13.4	16.1	*16.1	*16.1	7.3	8.6	13.4	*16.8	5.1	6.0	8.8	*12.3	-	-	-	4.6	5.3	7.9	*10.8	21.3 ft	
5.2 m, 17'1" 2-piece offset boom 2.45 m, 8'0" dipper arm Rear blade	7.5 m	●	-	-	-	4.2*	4.2*	4.2*	4.2*	-	-	-	-	-	-	-	3.1*	3.1*	3.1*	3.1*	5.1 m		
	25 ft	■	-	-	-	*9.3	*9.3	*9.3	*9.3	-	-	-	-	-	-	-	*6.8	*6.8	*6.8	*6.8	16.7 ft		
	6 m	●	-	-	-	-	4.2*	4.2*	4.2*	4.2*	2.8	3.2	3.9*	3.9*	-	-	-	2.4	2.7*	2.7*	2.7*	6.4 m	
	20 ft	■	-	-	-	-	*9.3	*9.3	*9.3	*9.3	6.2	7.1	*8.6	*8.6	-	-	-	5.3	*6.0	*6.0	*6.0	21.0 ft	
	4.5 m	●	5.9*	5.9*	5.9*	5.9*	4.3	4.9	4.9*	4.9*	2.7	3.1	4.3*	4.3*	-	-	-	2.0	2.3	2.6*	2.6*	7.2 m	
	15 ft	■	*13.0	*13.0	*13.0	*13.0	9.5	10.8	*10.8	*10.8	6.0	6.8	*9.5	*9.5	-	-	-	4.4	5.1	*5.7	*5.7	23.6 ft	
	3 m	●	-	-	-	-	3.9	4.5	6.2*	6.2*	2.6	3.0	4.3	4.8*	1.8	2.1	3.1	3.4*	1.7	2.0	2.6*	2.6*	7.6 m
	10 ft	■	-	-	-	-	8.6	9.9	*13.7	*13.7	5.7	6.6	9.5	*10.6	4.0	4.6	6.8	*7.5	3.7	4.4	*5.7	*5.7	24.9 ft
	1.5 m	●	-	-	-	-	3.5	4.1	6.3	7.3*	2.4	2.8	4.2	5.4*	1.7	2.0	3.0	4.2*	1.6	1.9	2.8*	2.8*	7.7 m
	5 ft	■	-	-	-	-	7.7	9.0	13.9	*16.1	5.3	6.2	9.3	*11.9	3.7	4.4	6.6	*9.3	3.5	4.2	*6.2	*6.2	25.3 ft
	0 m	●	-	-	-	-	3.3	3.9	6.1	7.9*	2.3	2.7	4.0	5.7*	1.7	2.0	2.9	3.3*	1.7	1.9	2.9	3.1*	7.5 m
	0 ft	■	-	-	-	-	7.3	8.6	13.4	*17.4	5.1	6.0	8.8	*12.6	3.7	4.4	6.4	*7.3	3.7	4.2	6.4	*6.8	24.6 ft
	-1.5 m	●	6.0	6.7*	6.7*	6.7*	3.3	3.9	6.1	7.7*	2.2	2.6	4.0	5.7*	-	-	-	1.9	2.2	3.3	3.8*	7.0 m	
	-5 ft	■	13.2	*14.8	*14.8	*14.8	7.3	8.6	13.4	*17.0	4.9	5.7	8.8	*12.6	-	-	-	4.2	4.9	7.3	*8.4	23.0 ft	
-3 m	●	-	-	-	-	3.4	3.9	6.1	6.8*	-	-	-	-	-	-	-	2.4	2.7	4.1	4.8*	5.9 m		
-10 ft	■	-	-	-	-	7.5	8.6	13.4	*15.0	-	-	-	-	-	-	-	5.3	6.0	9.0	*10.6	19.4 ft		

Equipment

STANDARD EQUIPMENT		
	EWR150E	EWR170E
Engine		
Turbocharged, 4 stroke Volvo diesel engine with water cooling, direct injection and charged air cooler that meets Tier 4 Final emission requirements	•	•
Intake air pre-heater	•	•
ECO- Modus	•	•
Fuel filter and water separator	•	•
Fuel filler pump: 50 l/min (13.2 gal/min) with automatic shut-off	•	•
Aluminium core radiator	•	•
Electric / Electronic control system		
Contronics-computerized monitoring and diagnostic system	•	•
Adjustable automatic idling system	•	•
One-touch power boost	•	•
Adjustable monitor	•	•
Safety stop/start function and master electrical disconnect switch	•	•
2 Frame mounted halogen lamps	•	•
Alternator,120 A	•	•
Batteries, 2 x 12 V/140 Ah	•	•
Start motor, 24 V/5.5 kW	•	•
CareTrack via GSM or satellite	•	•
Rear view camera	•	•
Side view camera left hand side	•	•
Superstructure		
LED Rear lights	•	•
Service walkway with anti-slip grating	•	•
Centralised lubricating point for slew bearing and boom	•	•
Undercarriage		
3 speeds: creep / offroad / road speed up to 35 km/h (21.75 mi/h)	•	•
Oscillating front axle $\pm 9^\circ$ with out mudguards/ 6° with mudguards	•	•
2-circuit travel brakes	•	•
Maintenance-free propeller shafts	•	•
Hydraulic system		
Load sensing hydraulic system	•	•
Pressure relief system (servo accumulator)	•	•
Proportional controlled visco-clutch cooling fan	•	•
Hose rupture valve for boom and arm	•	•
Hydraulic long life oil ISO VG 46	•	•

STANDARD EQUIPMENT		
	EWR150E	EWR170E
Cab and interior		
Volvo Care Cab with fixed roof hatch /ROPS	•	•
Cup holder	•	•
Door locks	•	•
Safety glass, light tinted	•	•
Floor mat	•	•
Horn	•	•
Large storage area	•	•
Pull-up type front window	•	•
Removable lower windshield	•	•
Retractable seat belt	•	•
Windshield wiper with washer and intermittent feature	•	•
Heater & air-conditioner, automatic	•	•
Hydraulic dampening cab mounts	•	•
Adjustable operator seat and joystick control console	•	•
Adjustable steering column	•	•
Hydraulic safety lock lever	•	•
Control joysticks, Proportional or L8 proportional	•	•
Bluetooth radio with USB port	•	•
Sun shield,front, roof & rear	•	•
Master ignition key	•	•
Multi function switch on LH Joystick	•	•
Digging equipment		
Attachment points for extra hydraulics	•	•
Centralised lubrication point for arm and bucket	•	•

Equipment

OPTIONAL EQUIPMENT			
	EWR150E	EWR170E	
Engine			
Diesel coolant heater with digital timer	•	•	
Block heater, 240 V	•	•	
Water separator with heater	•	•	
Dust net	•	•	
Reversible fan	•	•	
Air inlet turbo precleaning system	•	•	
Micro- mesh and sealing for engine compartment	•	•	
Tropical cooling	•	•	
Waste package	•	•	
Electric / Electronic control system			
Remote controlled welcome light	•	•	
Joystick steering (Comfort Drive Control)	•	•	
Multi-channel electric centre passage	•	•	
Joystick Controlled Support (blade / outrigger function on LH joystick)	•	•	
Travel alarm	•	•	
Extra work lights: (LED or halogen)	•	•	
- Back of cab 1 and counterweight 1	•	•	
- Boom-mounted 2	•	•	
- Cab front 2	•	•	
- LED cab light next to side camera	•	•	
- Extra LED lights on arm and Cab (4)	•	•	
Cruise control	•	•	
Anti-theft system	•	•	
Tilting and rotating attachment preparation	•	•	
Rotating beacon on cab and counterweight	•	•	
Superstructure			
License plate preparation	•	•	
Undercarriage			
Trailer Towing system	•	•	
Twin tires 10.00 – 20 / 11.00 – 20	•	•	
Single tires 18R – 19.5 / 620/40-22.5	•	•	
Solid rubber tires 10.00-20/11.00-20	•	–	
Stone protection rings	•	•	
Rear bolted parallel dozer blade	•	•	
Rear welded radial dozer blade	•	–	
Front bolted parallel dozer blade and rear outriggers	•	•	
Front welded radial dozer blade and rear outriggers	•	–	
Grab holder	•	•	
Mudguards, front/rear	•	•	
Tool box, left hand side/right hand side	•	•	
Drawer type Toolbox	•	•	
Travel speed 20 km/h (12.4 mi/h), 30 km/h (18.6 mi/h), 35 km/h (21.7 mi/h)	•	•	
Wide axle 2.75 m (9'0")	–	•	
Automatic digging brake	•	•	
Cruise control	•	•	
Hydraulic system			
Holding valves on bucket	•	•	
Boom float function	•	•	
Boom suspension system	•	•	
Hydraulic oil, biodegradable ISO VG 32	•	•	
Hydraulic oil, biodegradable ISO VG 46	•	•	
Hydraulic long life oil ISO VG 32	•	•	
Hydraulic long life oil ISO VG 68	•	•	
Hydraulic equipment for:			
- Hammer & shears	•	•	
- Slope bucket/rotator	•	•	
- Grab/clam shell	•	•	
- Quick fit	•	•	
- Flow control	•	•	
- Flow & pressure control	•	•	

OPTIONAL EQUIPMENT			
	EWR150E	EWR170E	
Cab and interior			
Volvo Care Cab with openable PC roof hatch / ROPS	•	•	
Proportional control joystick	•	•	
L8 joystick	•	•	
Hydraulic proportional pedal for attachment control	•	•	
Falling object guard (FOG)	•	•	
Cab mounted falling object protective structures (FOPS)	•	•	
Rain shield, front	•	•	
Second generation Steelwrist tiltrotator preparation	•	•	
Sunlight protection, roof hatch (steel)	•	•	
Anti-vandalism kit	•	•	
Lower wiper	•	•	
Safety net for front window	•	•	
Volvo Smart View = a 360° camera system with 3 cameras	•	•	
Ashtray	•	•	
Lighter	•	•	
Mechanical Fabric seat, with/or without heater	•	•	
Airsuspension seat with heater and X isolator	•	•	
Luxury operator seat with aico and wide armrest	•	•	
Digging equipment			
4.5 m (14'9") mono boom, 4.7 m (15'5") 2-piece boom	•	–	
Dipper arms: 2.0 m (6'7"), 2.45 m (8'0"), 2.6 m (8'6"), 3.1 m (10'2")	•	•	
5.2 m (17'1") 2-piece offset boom, 5.1 m (16'9") 2-piece boom	–	•	
Grab arm: 2.95 m (9'8")	–	•	
Hydraulic quick fit			
S60 system	•	•	
Universal system	•	•	
Service			
Wheel chocks	•	•	
Tool kit, daily maintenance	•	•	
Automatic Greasing System	•	•	
Attachments			
Buckets, direct fit and quick couplers	•	•	
Lifting eye	•	•	
Steelwrist® tiltrotator	•	•	

SELECTION OF VOLVO OPTIONAL EQUIPMENT

Trailer hitch



Tire choice



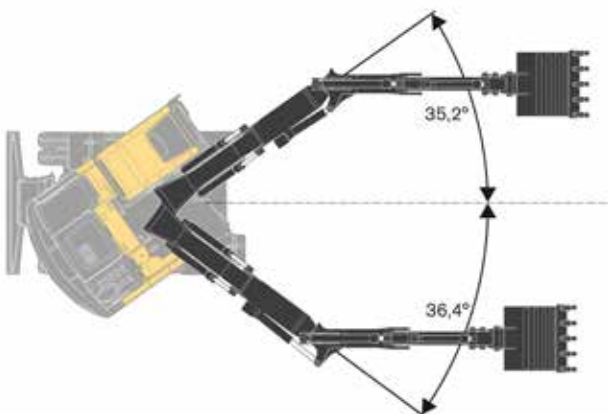
Drawer type tool box



Automatic greasing system



2-piece boom or 2-piece offset boom (EWR170E)



Load holding valves on bucket cylinders, both sides



Not all products are available in all markets. Under our policy of continuous improvement, we reserve the right to change specifications and design without prior notice. The illustrations do not necessarily show the standard version of the machine.

VOLVO

Volvo Construction Equipment

volvoce.com