

Volvo Construction Equipment  
Building Tomorrow



# MATERIAL HANDLERS

Volvo Excavators EW200E Material Handler, EW240E Material Handler 22.1 - 26.5 t 129 kW







### Progress is in our DNA

With nearly two centuries of engineering excellence, Volvo has been at the forefront of the construction equipment industry. Based on a pioneering spirit and great inventiveness, we have always been a driving force in moving technology forward since those early days.

---

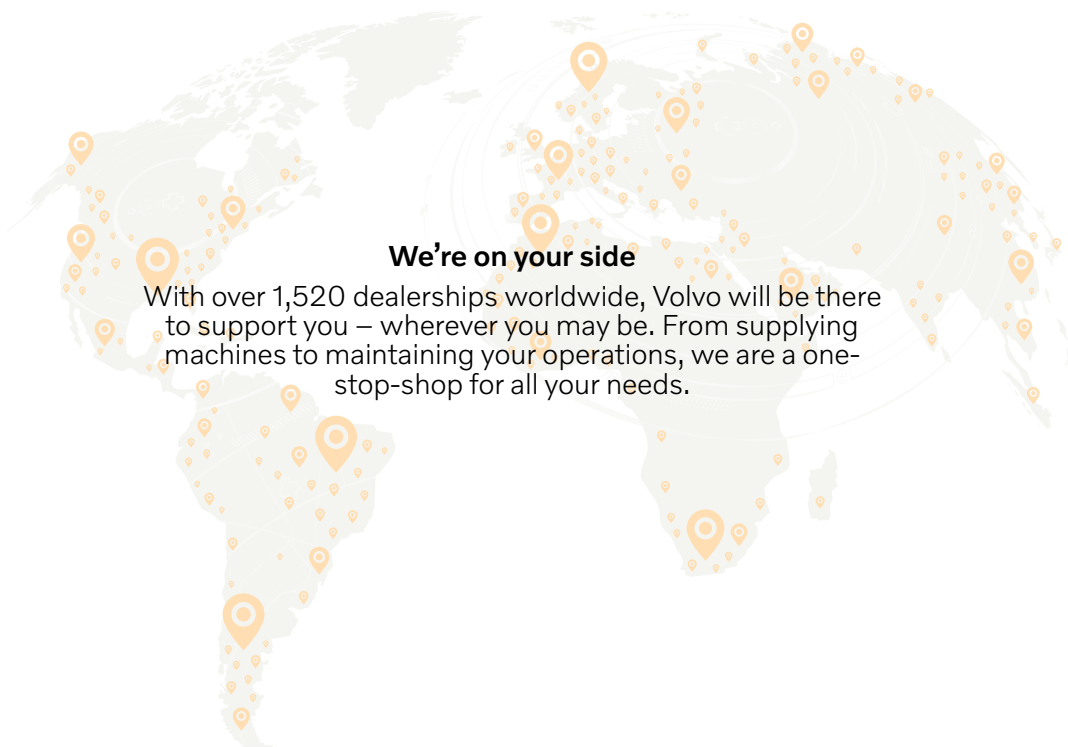
# OVER 185 YEARS OF EXPERIENCE

---

### Purpose-built for waste and recycling

Put waste in its place with a full line of products, designed to help you stay efficient and productive. Throughout the years we have listened to your requirements, and our range of features and solutions, built specifically for waste and recycling, confirm our commitment to you.





**We're on your side**

With over 1,520 dealerships worldwide, Volvo will be there to support you – wherever you may be. From supplying machines to maintaining your operations, we are a one-stop-shop for all your needs.



# 100% Volvo

For decades, Volvo wheeled excavators have proven themselves to be multi-purpose and reliable machines. Built on the success of the EW240E Material Handler comes its smaller counterpart, the EW200E Material Handler. The material handlers are designed and manufactured in our Volvo factory in Germany and are specifically engineered to deliver outstanding results in waste and recycling applications.

## Drive in comfort

Comfort Drive Control lets operators control the machine using only the joystick, up to 19km/h. What's more the machine is available without the steering column, to further boost visibility.



## Proven Volvo quality

Lift with precision using the specially-designed boom and arm. The boom cylinder dampening minimizes shaking and holds the grapple in place, for enhanced stability. The machine is equipped with an adjustable arm-in limitation, designed to prevent collision between the cab and the grapple. The height limitation function provides further safety when working indoors.

## Smooth control

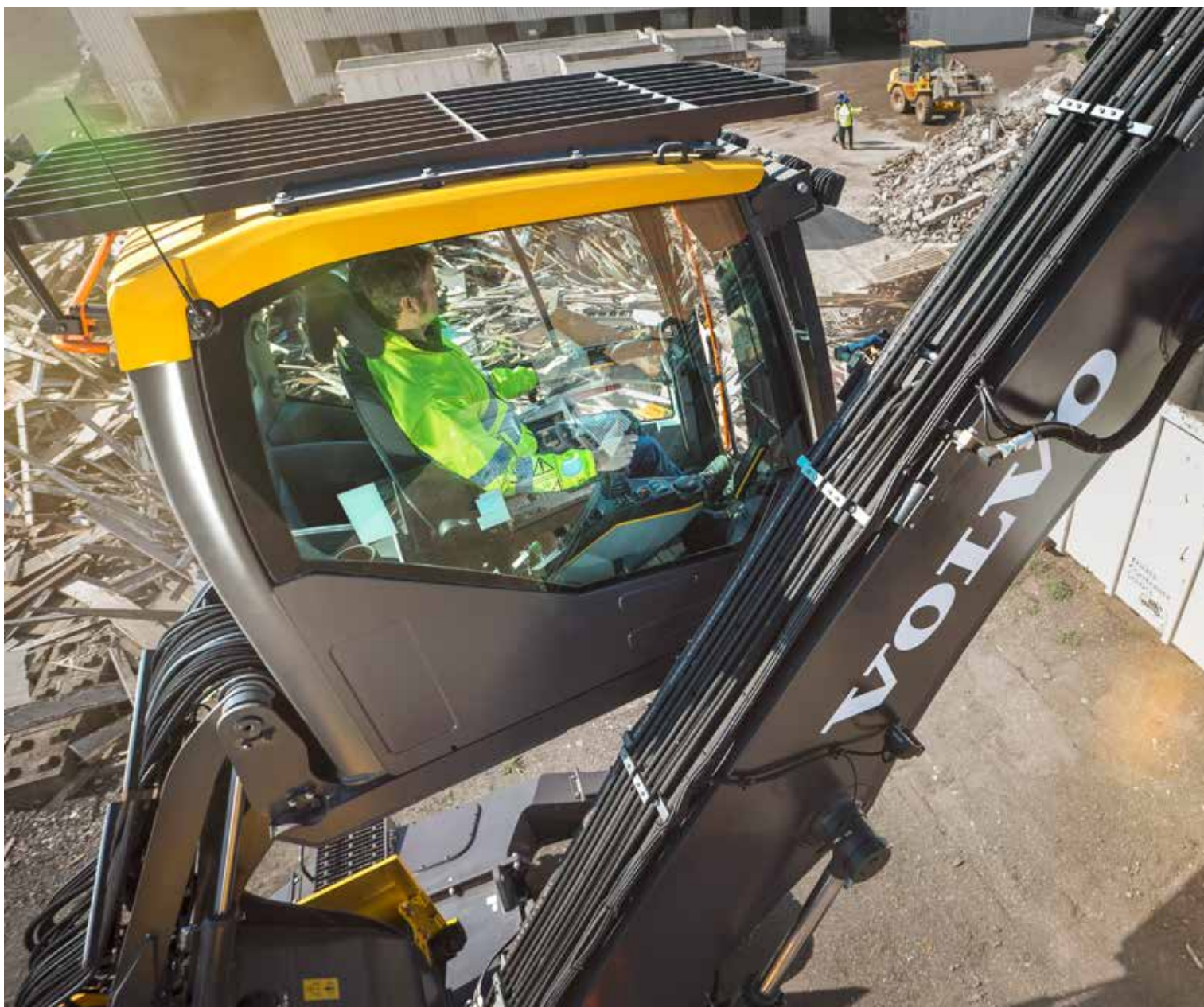
Experience instant response, thanks to the optimized hydraulics system and joysticks, providing you with an array of functions at your fingertips. The grapple control and soft swing system work in harmony for improved accuracy during simultaneous operations.







*When our operators are working 12-hour shifts in the machines, we want to make sure they're comfortable. They always choose Volvo machines over any other brand.  
Customer from Australia*



# THE OPERATOR'S CHOICE

Work in comfort in the spacious Volvo cab, which can be elevated to provide operators with an eye-view 5 meters above the ground. For smooth operation when working at height, the double damped cab mounts reduce vibration and noise. Operators can raise the cab and move the outriggers directly from the joysticks.





*Over the years we have owned just about every kind of excavator known to man. But a Volvo machine offers the best value for money, and has always suited our needs best.*  
**Customer from Canada**



# CONFIGURED YOUR WAY

To enhance productivity, configure your machine both inside and out, and have it delivered to you straight from the factory. For increased visibility, you can fit your machine with Volvo Smart View or a one-piece polycarbonate window, with protection film. Additionally, you can select from a gooseneck arm or sorting arm, to ensure you always have the best grasp on the job.

# Designed by you, built by Volvo

To make sure our machines reflect what the market wants and needs, we have involved customers at every stage of development. Volvo material handlers have been rigorously tested at customer sites, to achieve optimum real-world performance. With a range of compatible attachments and available configurations, you have the power to enhance versatility and design a machine to specifically match your application.

## Versatility

From waste handling to scrap sorting, maximize your machine's productivity with a range of durable grapples – available to you through the Volvo factory. For enhanced ease of operation, auxiliary lines are factory-installed and the Attachment Management System can store settings for up to 20 different attachments.



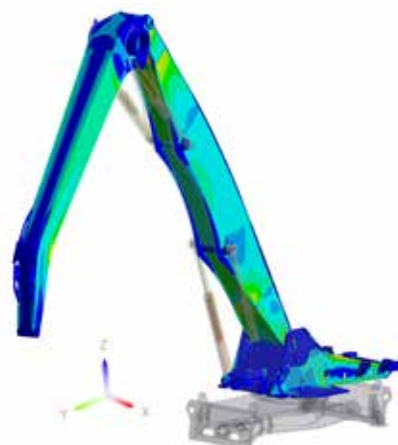
## Power up, fuel down

Move more with less. The powerful Volvo engine delivers 129 kW and is equipped with auto idle and auto engine shutdown functions, to reduce fuel consumption. ECO mode turns on automatically to maintain productivity and increase fuel efficiency.



## Enduring performance

Optimize machine uptime and the profitability of your business with Volvo material handlers, rigorously tested and proven to withstand the test of time. Built on experience, this machine will always perform dependably, keeping productivity and uptime to a maximum.



# EW200E Material Handler

Reach up to 10-meters

## CONFIGURED YOUR WAY

- 4m gooseneck arm or 3.5m sorting arm
- Front blade/2 rear outriggers or 4 outriggers
- Machine can be ordered without steering column, for further visibility
- Volvo Smart View, One-piece single window

## Versatility

- Factory-installed auxiliary lines
- Range of sorting grabs and orange peel grapples, available from the Volvo factory
- Attachment Management System

## Tailor-made Volvo boom and arm

- Boom cylinder dampening: enhanced stability
- Adjustable arm-in limitation
- Height limitation function
- Boom float function

## Smooth control

- Specifically designed joysticks
- Load sensing hydraulics
- Soft swing system
- Accurate simultaneous operations



## THE OPERATOR'S CHOICE

- Steps on the outriggers: easy cab access/egress
- Cab raises you up to 5 meters
- Double damped cab mounts
- Comfort Drive Control enables joystick steering up to 19km/h
- Cab & outriggers control from the joysticks

### Service made easy

- Grouped greasing points
- All filters accessible from ground level
- Genuine Volvo Parts
- CareTrack: easy machine monitoring
- Volvo Active Care: looking out for you

### Power up, fuel down

- Powerful Volvo D6 engine
- Auto engine idle, Auto engine shutdown
- ECO mode



Some features may be optional in your market.

# EW240E Material Handler

Now up to 12-meters

## CONFIGURED YOUR WAY

- 5m gooseneck arm or 4m sorting arm
- 4 outriggers
- Machine can be ordered without steering column, for further visibility
- Volvo Smart View, One-piece single window

## Versatility

- Factory-installed auxiliary lines
- Range of sorting grabs and orange peel grapples, available from the Volvo factory
- Attachment Management System

## Tailor-made Volvo boom and arm

- Boom cylinder dampening: enhanced stability
- Adjustable arm-in limitation
- Height limitation function
- Boom float function

## Smooth control

- Specifically designed joysticks
- Load sensing hydraulics
- Soft swing system
- Accurate simultaneous operations



## THE OPERATOR'S CHOICE

- Steps on the outriggers: easy cab access/egress
- Cab raises you up to 5 meters
- Double damped cab mounts
- Comfort Drive Control enables joystick steering up to 19km/h
- Cab & outriggers control from the joysticks

### Service made easy

- Grouped greasing points
- All filters accessible from ground level
- Genuine Volvo Parts
- CareTrack: easy machine monitoring
- Volvo Active Care: looking out for you

### Power up, fuel down

- Powerful Volvo D6 engine
- Auto engine idle, Auto engine shutdown
- ECO mode



Some features may be optional in your market.



*Our Volvo loaders and excavators are used in just about every area on the site. They sort and stack the heavy materials, load trucks, feed crushers and hoppers, and load boats. We couldn't do our job without them.*  
**Customer from The Netherlands**



# DO MORE JOBS WITH JUST ONE MACHINE

Boost your machine's productivity with a range of compatible attachments, available straight from the Volvo factory. You also have access to a range of Volvo Services, designed to secure maximum return on investment. From Genuine Volvo Parts and Volvo service technicians, to proactive machine monitoring and operator training – everything is available from one place.







# Volvo Material Handlers in detail

## Engine

Volvo Construction Equipment is ready to comply with the tough new EU Stage V legislation for off-road vehicles with the introduction of a cascade of innovations in its new generation engines with Volvo Advanced Combustion Technology (V-ACT).

Volvo machines are equipped with in-line turbo charged diesel engine with high pressure common rail system. The engine features a externally cooled exhaust gas re-circulation (E-EGR), a Diesel Particulate Filter (DPF) and a Selective Catalytic Reduction(SCR) with AdBlue®/Diesel exhaust fluid (DEF).

		EW200E MATERIAL HANDLER	EW240E MATERIAL HANDLER
Engine	Volvo	Volvo D6J	Volvo D6J
Max. power at	r/min	1 800	1 800
Net (ISO9249/SAEJ1349)	kW	126	126
	hp	171	171
Gross (ISO 14396/SAE J1995)	kW	129	129
	hp	175	175
Max. torque	Nm	850	850
	at engine speed	r/min	1 350
No. of cylinders		6	6
Displacement	l	5.7	5.7
Bore	mm	98	98
Stroke	mm	126	126

## Electrical system

		EW200E MATERIAL HANDLER	EW240E MATERIAL HANDLER
Voltage	V	24	24
Batteries	V	2 x 12	2 x 12
Battery capacity	Ah	2 x 140	2 x 140
Alternator	V/Ah	28 / 120	28 / 120

## Undercarriage

		EW200E MATERIAL HANDLER	EW240E MATERIAL HANDLER
Oscillation	± °	4.5	4.5
Twin wheels	type	10-20	10-20 / 11-20
Tractive force (net)	kN	111	121
Travel speed, off road	km/h	19	19
Travel speed, creep	km/h	3.2	3.2
Min. turning radius	m	7.3	8.1
Travel speeds may depend on to local regulations			

## Cab

Refrigerant of the type R134a is used when this machine is equipped with air conditioning. Contains fluorinated greenhouse gas R134a, Global Warming Potential 1.430 t CO<sub>2</sub>-eq.

## Sound Level

		EW200E MATERIAL HANDLER	EW240E MATERIAL HANDLER
Sound pressure level in cab according to ISO 6396			
L <sub>pA</sub>	dB	65	67
External sound level according to ISO 6395 and EU Noise Directive 2000/14/EC			
L <sub>WA</sub> (standard)	dB	100	101
L <sub>WA</sub> (tropical)	dB	101	102

## Brake system

**Service brakes:** servo-hydraulically manoeuvred self-adjusting wet multidiscs with two separate brake circuits.

**Parking brake:** negative wet disc in gear housing, spring applied and pressure released.

**Digging brake:** service brake with mechanical lock system.

**Security system:** The 2-circuit travel brakes are supplied with two accumulators in the event of failure in the service brake system.



### Hydraulic system

Closed-centre load sensing hydraulic system with pressure compensated valves. Load independence of movements. Flow sharing feature, combined with a high flow pump (power regulation). The system gives superior manoeuvrability and fast movements, for optimal working result and economy. The following working modes are included in the system:

**Parking mode (P):** Parking position for optimal safety.

**Travel mode (T):** Engine speed is controlled by travel pedal stroke for low fuel consumption and noise.

**Working mode (W):** Full working flow with adjustable engine rpm for normal working and best speed utilisation.

**Customer mode (C):** Operator can set proper oil flow in accordance with job conditions.

**Power Boost:** All digging and lifting forces are increased.

		EW200E MATERIAL HANDLER	EW240E MATERIAL HANDLER
<b>Main pump (type low noise axial piston pump)</b>			
Max. flow	l/min	300	375
<b>Brake + steering pump (type low noise gear pump)</b>			
Max. flow	l/min	48	48
<b>Servo pump (type low noise gear pump)</b>			
Max. flow	l/min	15	15
<b>Relief valve setting pressure</b>			
Implement	MPa	35	35
Travel system	MPa	35	35
Slew system	MPa	23	23
Pilot system	MPa	3.5	3.5

### Swing system

The superstructure is slewed by the means of a axial motor with reduction gear box. Automatic slew holding brake and anti-rebound valve are standard.

		EW200E MATERIAL HANDLER	EW240E MATERIAL HANDLER
Max. slew speed	r/min	9	8
Max. slew torque	kNm	50.4	54

### Service Refill

		EW200E MATERIAL HANDLER	EW240E MATERIAL HANDLER
Fuel tank	l	250	290
DEF/AdBlue® tank	l	25	25
Hydraulic system, total	l	250	340
Hydraulic tank	l	123	170
Engine oil	l	25	25
Engine coolant	l	33	33
Transmission	l	2.5	2.5
<b>Axle differential:</b>			
Front axle	l	9.5	16
Rear axle	l	12.5	20

### Total Machine Weights

#### EW200E MATERIAL HANDLER

With straight boom 5.5 m, with sorting arm 3.5 m, FOPS, Solideal twin tyres 10-20, outriggers front and rear Kinshofer S60 D20 H P 100 (450 l / 1 135 kg)

With front and rear outriggers kg 22 850

With straight boom 5.5 m, with goose neck arm 4.0 m, FOPS, Solideal twin tyres 10-20, blade front and outriggers rear Kinshofer OP-GR P22V-450-5-W (450 l / 1 046 kg)

With dozer blade front and outriggers rear kg 22 100

#### EW240E MATERIAL HANDLER

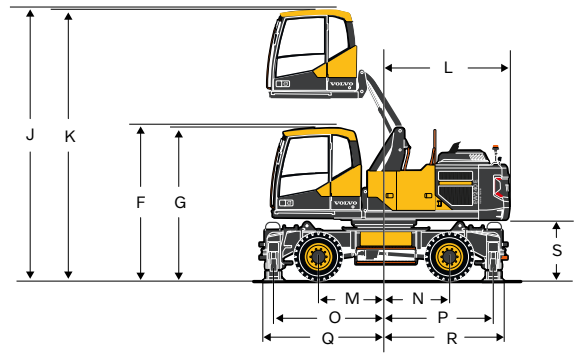
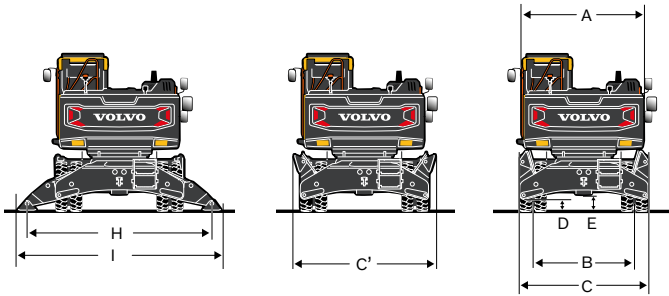
With straight boom, with gooseneck arm 5 m, with solideal twin tyres 10-20, with grapple (600 l / 1 714 kg)

With front and rear outriggers kg 26 000

With straight boom, with sorting arm 4 m, with solideal twin tyres 10-20, with sorting grap with Quick coupler (650 l / 1 480 kg)

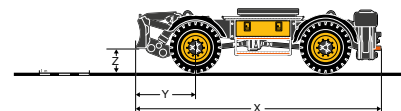
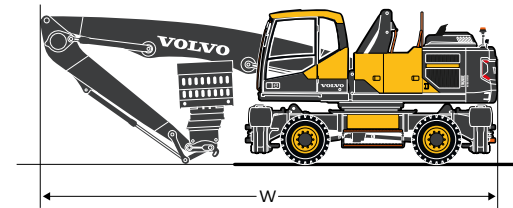
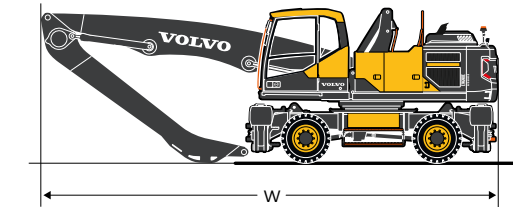
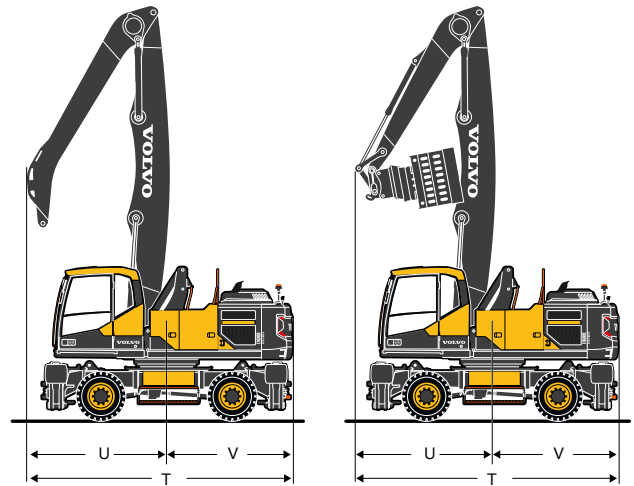
With front and rear outriggers kg 26 500

# Specifications



## DIMENSIONS

Model		EW200E	EW240E		
A	mm	2 520	2 540		
B	mm	2 114	2 114		
C	mm	2 540 / 2 750	2 700		
C'	mm	-	2 950		
D	mm	250	250		
E	mm	351	351		
F (with FOPS)	mm	3 240	3 275		
G	mm	3 190	3 220		
H	mm	3 750	3 860		
I	mm	4 040	4 260		
J (with FOPS)	mm	5 740	5 770		
K	mm	5 690	5 720		
L	mm	2 190	2 620		
M	mm	1 450	1 375		
N	mm	1 150	1 375		
O	mm	2 300	2 310		
P	mm	1 950	2 290		
Q	mm	2 525	2 535		
R	mm	2 175	2 515		
S	mm	1 280	1 310		
X	mm	4 880	-		
Y	mm	1 180	-		
Z	mm	500	-		
		<b>Straight boom 5.5 m</b>		<b>Straight boom 6.5 m</b>	
		<b>Gooseneck arm 4.0 m G9</b>	<b>Sorting arm 3.5 m S9</b>	<b>Gooseneck arm 5.0 m G11</b>	<b>Sorting arm 4.0 m S11</b>
T	mm	4 870	4 910	5 430	5 480
U	mm	2 630	2 630	2 800	2 850
V	mm	2 240	2 240	2 620	2 620
W	mm	8 190	8 140	9 550	9 550
		<b>Straight boom 6.25 m</b>		<b>Straight boom 7.25 m</b>	
		<b>Gooseneck arm 4.0 m G10</b>		<b>Gooseneck arm 5.0 m G12</b>	
T	mm	4 840		5 590	
U	mm	2 630		2 960	
V	mm	2 240		2 620	
W	mm	8 950		10 280	





## RECOMMENDED ATTACHMENTS

### ORANGE PEEL GRAPPLE/POLY GRAB

EW200E MH with 5.50 m boom: Lifting capacity at maximum reach with support down according ISO 10567: 3 600 kg  
 EW200E MH with 6.25 m boom: Lifting capacity at maximum reach with support down according ISO 10567: 3 200 kg  
 EW240E MH with 6.50 m boom: Lifting capacity at maximum reach with support down according ISO 10567: 3 400 kg  
 EW240E MH with 7.25 m boom: Lifting capacity at maximum reach with support down according ISO 10567: 3 000 kg

Volume	Weight (grapple only)	Max. load capacity	Weight including H-Suspension	Maximum material density
l	kg	kg	kg	t/m <sup>3</sup>
450**	970**	7 000**	1 100**	2.4**
600*	1 600	7 000*	1 700*	2.8*
800	1 560	7 000	1 700	2.1

Note: The sizes and weights marked with an asterisk (\*) are recommended for EW240E MH .

Note: The sizes and weights marked with 2 asterisk (\*\*) are recommended for EW200E MH .

## RECOMMENDED ATTACHMENTS

### SORTING GRAB

EW200E MH with 5.50 m boom :Lifting capacity at maximum reach with support down according ISO 10567: 3 500 kg  
 EW240E MH with 6.50 m boom :Lifting capacity at maximum reach with support down according ISO 10567: 3 700 kg

#### Quick coupler S60, weight: 140 kg

Volume	Weight (grapple only)	Max. load capacity	Maximum material density			
			Direct Fit		S60	
			Weight	Density	Weight	Density
l	kg	kg	kg	t/m <sup>3</sup>	kg	t/m <sup>3</sup>
300	650	4 000	750	-2.6	770	2.6
450**	1 120**	5 000**	1 370**	3.1**	1 285**	2.9**
650*	1 170*	5 000*	1 420*	2.2*	1 310*	2.0*
800	1 600	6 000	1 845	-2.3	1 740	2.2

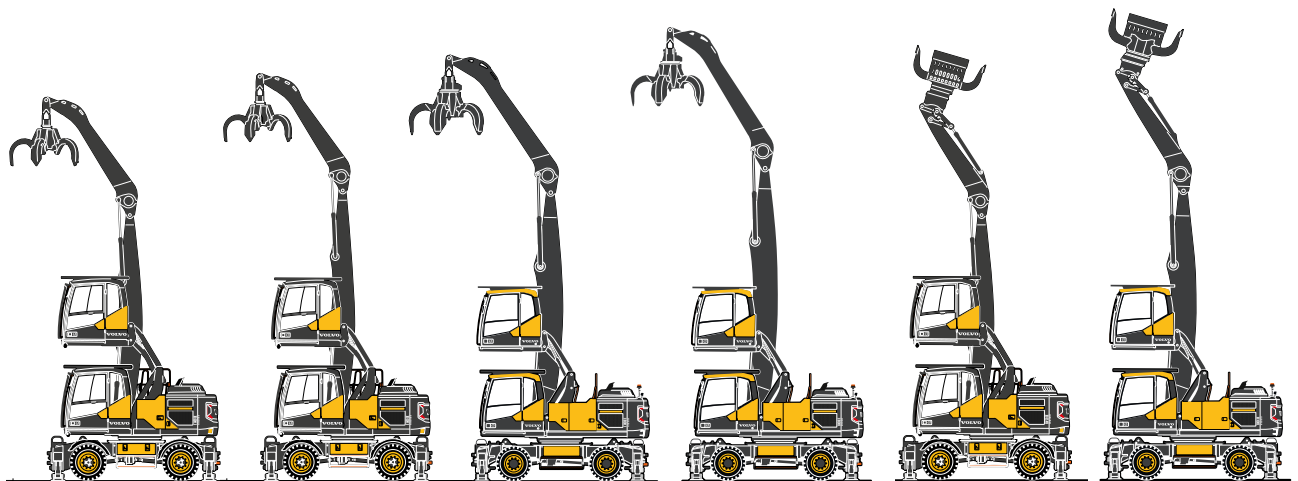
Note: The sizes and weights marked with an asterisk (\*) are recommended for EW240E MH.

Note: The sizes and weights marked with 2 asterisk (\*\*) are recommended for EW200E MH.

## Machine selector

Boom	Goose neck arm	Reach	Name
m	m	mm	
5.5	4.0	9 330	EW200E MH G9
6.25	4.0	10 060	EW200E MH G10
6.5	5.0	11 200	EW240E MH G11
7.25	5.0	12 000	EW240E MH G12

Boom	Sorting arm	Reach	Name
m	m	mm	
5.5	3.5	9 020	EW200E MH S9
6.5	4.0	10 500	EW240E MH S11



EW200E MH G9

EW200E MH G10

EW240E MH G11

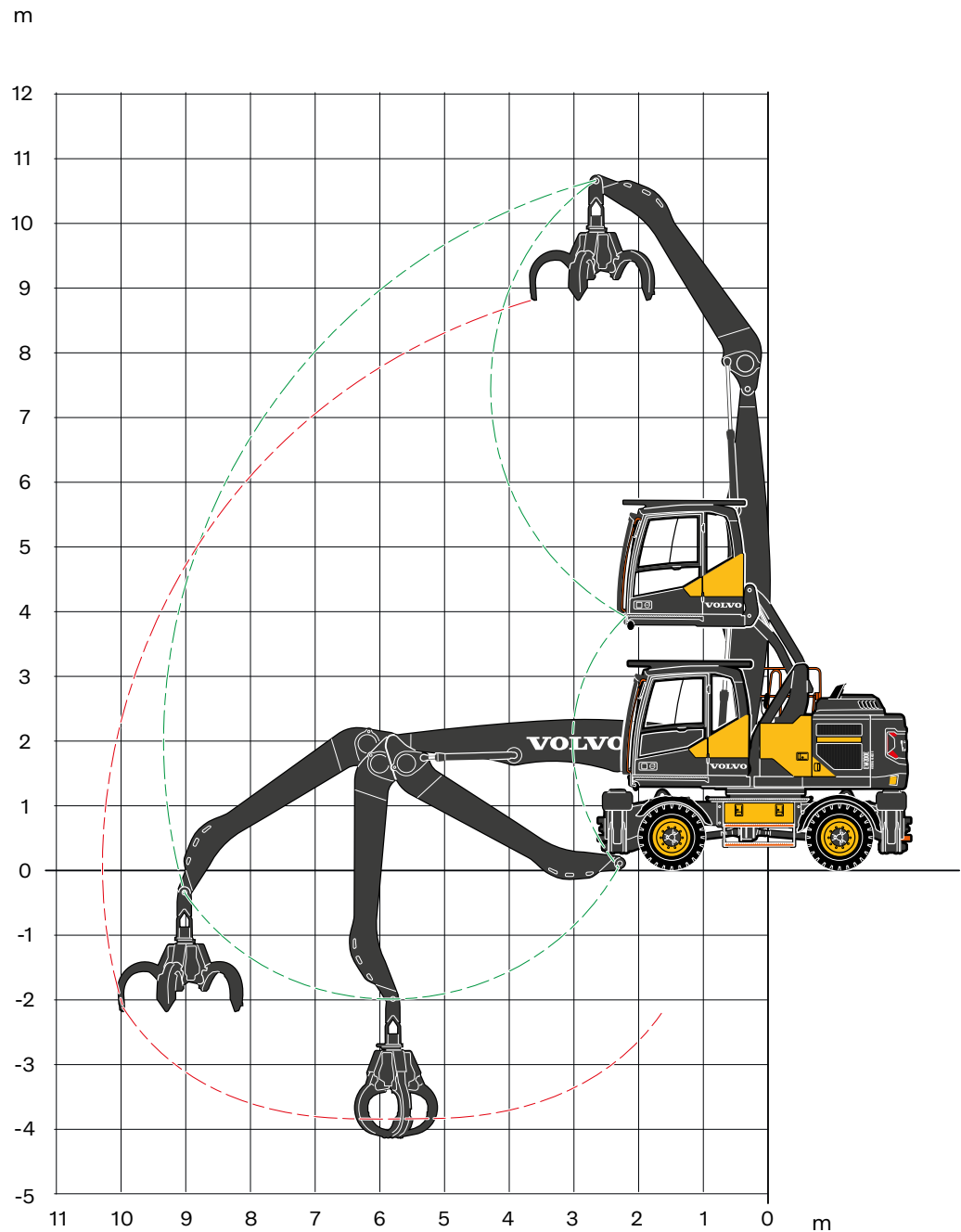
EW240E MH G12

EW200E MH S9

EW240E MH S11

# Specifications

## EW200E Material Handler G9



### ORANGE PEEL GRAPPLE/POLY GRAB EW200E MH G9

#### With poly grapple on gooseneck arm

Width (closed)	mm	1 330
Opening width	mm	1 920
Height (closed)	mm	2 100
Volume	l	450



**LIFTING CAPACITY EW200E MATERIAL HANDLER G9**

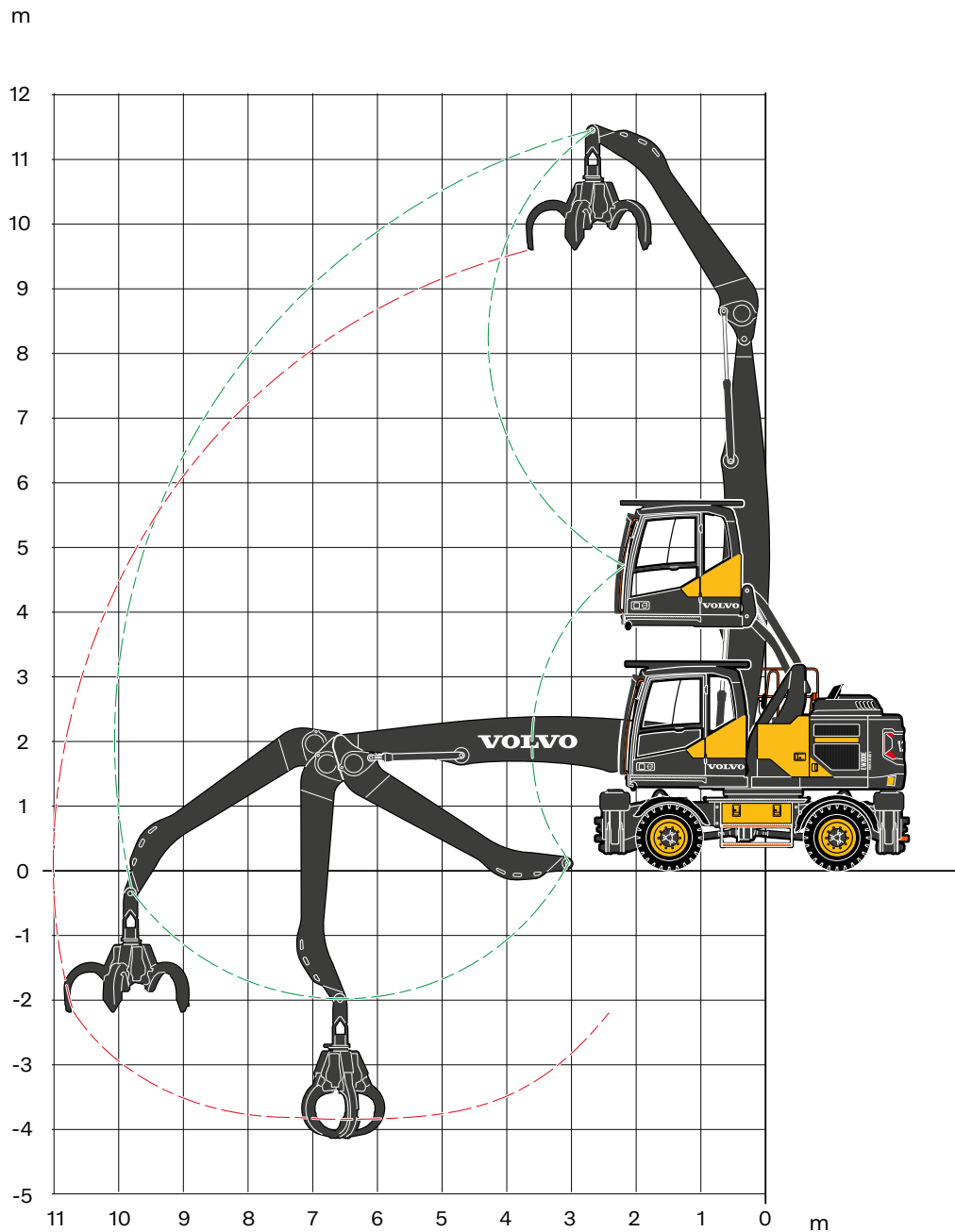
At the arm end without grapple. For lifting capacity including grapple, simply subtract actual weight of this part from the following values.  
Unit: 1 000kg

Notes: 1. Working pressure = 35 MPa. 2. The above values are in compliance with ISO standard 10 567. They do not exceed 87 % of hydraulic lifting capacity or 75 % of tipping load, with the machine on firm, level ground. 3. Load capacities marked with an asterisk (\*) are limited by machine's hydraulic lifting capacity rather than tipping load.

Lifting point	Reach from machine centre (u = support up/d = support down)													
	3.0 m				4.5 m				6.0 m					
	Across UC		Along UC		Across UC		Along UC		Across UC		Along UC			
m	u	d	u	d	u	d	u	d	u	d	u	d		
10.5	6.5*	6.5*	6.5*	6.5*	-	-	-	-	-	-	-	-		
9.0	-	-	-	-	5.9	6.0*	6.0*	6.0*	-	-	-	-		
7.5	-	-	-	-	5.7*	5.7*	5.7*	5.7*	3.8	5.1*	5.1*	5.1*		
6.0	-	-	-	-	5.9	5.9*	5.9*	5.9*	3.8	5.2*	5.2*	5.2*		
4.5	7.9*	7.9*	7.9*	7.9*	5.6	6.7*	6.7*	6.7*	3.7	5.5*	5.5*	5.5*		
3.0	9.5	11.6*	11.6*	11.6*	5.3	7.8*	7.8*	7.8*	3.5	6.0*	5.4	6.0*		
1.5	3.9*	3.9*	3.9*	3.9*	4.9	8.7*	7.9	8.7*	3.3	6.0	5.2	6.4*		
0.0	3.5*	3.5*	3.5*	3.5*	4.7	8.8*	7.7	8.8*	3.2	5.8	5.1	6.4*		
-1.5	-	-	-	-	4.6	7.9*	7.6	7.9*	3.1	5.7	5.0	5.9*		
Boom 5.5 m Gooseneck arm 4.0 m Blade front & Outrigger rear	7.5 m				9.0 m				Max.					
	Across UC		Along UC		Across UC		Along UC		Across UC		Along UC		Max.	
	m	u	d	u	d	u	d	u	d	u	d	m		
	10.5	-	-	-	-	-	-	-	-	6.0*	6.0*	6.0*	6.0*	3.3
	9.0	-	-	-	-	-	-	-	-	3.8	4.4*	4.4*	4.4	6.0
	7.5	-	-	-	-	-	-	-	-	2.7	4.0*	4.0*	4.0	7.5
	6.0	2.7	4.6	4.1	4.6*	-	-	-	-	2.2	3.8*	3.4	3.8	8.4
	4.5	2.6	4.5	4.0	4.8*	-	-	-	-	2.0	3.5	3.0	3.8	9.0
	3.0	2.6	4.4	3.9	4.9*	2.0	3.4	3.0	4.2*	1.9	3.3	2.9	3.9	9.3
	1.5	2.5	4.3	3.8	5.1*	1.9	3.4	3.0	4.1*	1.8	3.2	2.8	3.8	9.3
0.0	2.4	4.3	3.7	5.0*	1.9	3.3	2.9	3.7*	1.9	3.3	2.9	3.6	9.1	
-1.5	2.4	4.2	3.7	4.4*	-	-	-	-	2.3	4.1	3.6	4.2	7.7	
Boom 5.5 m Gooseneck arm 4.0 m Outrigger Front & Rear	3.0 m				4.5 m				6.0 m					
	Across UC		Along UC		Across UC		Along UC		Across UC		Along UC			
	m	u	d	u	d	u	d	u	d	u	d			
	10.5	6.5*	6.5*	6.5*	6.5*	-	-	-	-	-	-	-	-	
	9.0	-	-	-	-	6.0*	6.0*	6.0*	6.0*	-	-	-	-	
	7.5	-	-	-	-	5.7*	5.7*	5.7*	5.7*	3.9	5.1*	5.1*	5.1*	
	6.0	-	-	-	-	5.9*	5.9*	5.9*	5.9*	3.9	5.2*	5.2*	5.2*	
	4.5	7.9*	7.9*	7.9*	7.9*	5.8	6.7*	6.7*	6.7*	3.8	5.5*	5.5*	5.5*	
	3.0	9.7	11.6*	11.6*	11.6*	5.4	7.8*	7.8*	7.8*	3.6	6.0*	5.4	6.0*	
	1.5	3.9*	3.9*	3.9*	3.9*	5.0	8.7*	8.0	8.7*	3.4	6.4*	5.2	6.4*	
0.0	3.5*	3.5*	3.5*	3.5*	4.8	8.8*	7.7	8.8*	3.3	6.4*	5.1	6.4*		
-1.5	-	-	-	-	4.7	7.9*	7.6	7.9*	3.2	5.9*	5.0	5.9*		
Boom 5.5 m Gooseneck arm 4.0 m Outrigger Front & Rear	7.5 m				9.0 m				Max.					
	Across UC		Along UC		Across UC		Along UC		Across UC		Along UC		Max.	
	m	u	d	u	d	u	d	u	d	u	d	m		
	10.5	-	-	-	-	-	-	-	-	6.0*	6.0*	6.0*	6.0*	3.3
	9.0	-	-	-	-	-	-	-	-	3.9	4.4*	4.4*	4.4*	6.0
	7.5	-	-	-	-	-	-	-	-	2.8	4.0*	4.0*	4.0*	7.5
	6.0	2.8	4.6*	4.1	4.6*	-	-	-	-	2.3	3.8*	3.4	3.8*	8.4
	4.5	2.7	4.8*	4.0	4.8*	-	-	-	-	2.1	3.8*	3.1	3.8*	9.0
	3.0	2.6	4.9*	3.9	4.9*	2.0	4.1	3.0	4.2*	1.9	3.9	2.9	3.9*	9.3
	1.5	2.5	5.1*	3.8	5.1*	2.0	4.0	3.0	4.1*	1.9	3.8	2.8	3.8*	9.3
0.0	2.5	5.0*	3.8	5.0*	2.0	3.7*	3.0	3.7*	1.9	3.6*	2.9	3.6*	9.1	
-1.5	2.4	4.4*	3.7	4.4*	-	-	-	-	2.3	4.2*	3.6	4.2*	7.7	

# Specifications

## EW200E Material Handler G10



<b>ORANGE PEEL GRAPPLE/POLY GRAB EW200E MH G10</b>		
<b>With poly grapple on gooseneck arm</b>		
Width (closed)	mm	1330
Opening width	mm	1920
Height (closed)	mm	2100
Volume	l	450



**LIFTING CAPACITY EW200E MATERIAL HANDLER G10**

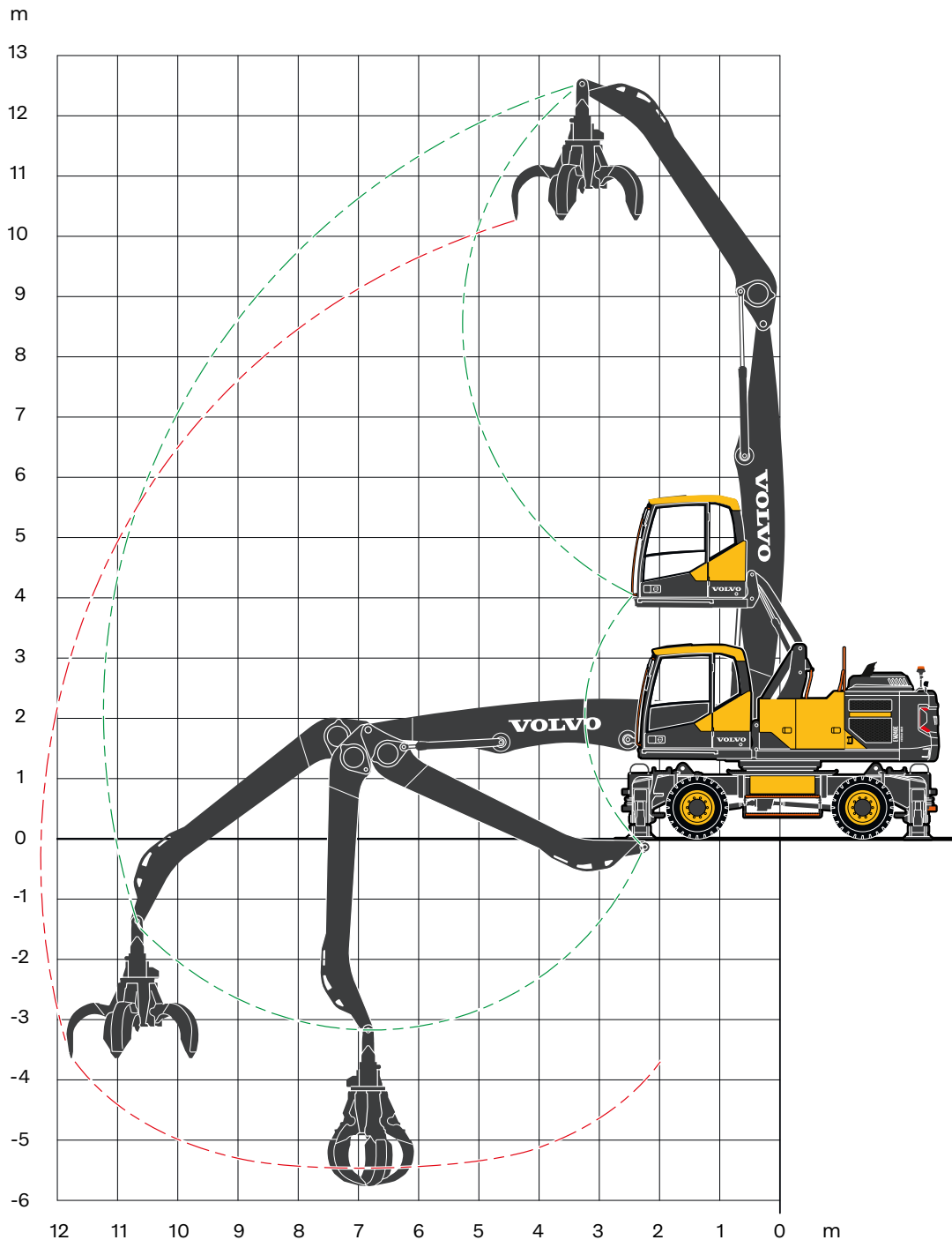
At the arm end without grapple. For lifting capacity including grapple, simply subtract actual weight of this part from the following values.  
Unit: 1 000kg

Notes: 1. Working pressure = 35 MPa. 2. The above values are in compliance with ISO standard 10 567. They do not exceed 87 % of hydraulic lifting capacity or 75 % of tipping load, with the machine on firm, level ground. 3. Load capacities marked with an asterisk (\*) are limited by machine's hydraulic lifting capacity rather than tipping load.

Lifting point	Reach from machine centre (u = support up/d = support down)														
	3.0 m				4.5 m				6.0 m						
	Across UC		Along UC		Across UC		Along UC		Across UC		Along UC				
	m	u	d	u	d	u	d	u	d	u	d	u	d		
Boom 6.25 m Gooseneck arm 4.0 m Blade Front & Outrigger Rear	10.5	-	-	-	-	5.7*	5.7*	5.7*	5.7*	-	-	-	-		
	9.0	-	-	-	-	5.7*	5.7*	5.7*	5.7*	3.8	5.0*	5.0*	5.0*		
	7.5	-	-	-	-	5.7*	5.7*	5.7*	5.7*	3.8	4.9*	4.9*	4.9*		
	6.0	-	-	-	-	5.8	6.1*	6.1*	6.1*	3.8	5.1*	5.1*	5.1*		
	4.5	9.8*	9.8*	9.8*	9.8*	5.4	6.9*	6.9*	6.9*	3.6	5.5*	5.5	5.5*		
	3.0	-	-	-	-	5.0	8.0*	8.0*	8.0*	3.4	5.9*	5.2	5.9*		
	1.5	-	-	-	-	4.6	8.5*	7.6	8.5*	3.1	5.8	5.0	6.2*		
	0.0	-	-	-	-	4.3	6.5*	6.5*	6.5*	3.0	5.6	4.9	6.2*		
	-1.5	-	-	-	-	-	-	-	-	2.9	5.5	4.8	5.6*		
		7.5 m				9.0 m				Max.					
		Across UC		Along UC		Across UC		Along UC		Across UC		Along UC		Max.	
		m	u	d	u	d	u	d	u	d	u	d	u	d	m
		10.5	-	-	-	-	-	-	-	-	4.8	5.0*	5.0*	5.0*	5.1
		9.0	-	-	-	-	-	-	-	-	2.9	4.2*	4.2*	4.2*	7.1
		7.5	2.7	4.4*	4.1	4.4*	-	-	-	-	2.2	3.9	3.4	3.9*	8.4
	6.0	2.7	4.4*	4.0	4.4*	2.0	3.4	3.0	3.9*	1.9	3.3	2.9	3.8*	9.2	
	4.5	2.6	4.5	3.9	4.6*	1.9	3.4	3.0	4.0*	1.7	3.0	2.6	3.7*	9.7	
	3.0	2.5	4.3	3.8	4.8*	1.9	3.3	2.9	4.0*	1.6	2.9	2.5	3.5*	10.0	
	1.5	2.3	4.2	3.7	4.9*	1.8	3.3	2.9	4.0*	1.6	2.8	2.5	3.4*	10.0	
	0.0	2.3	4.1	3.6	4.8*	1.8	3.2	2.8	3.8*	1.6	2.9	2.5	3.2*	9.9	
	-1.5	2.2	4.1	3.6	4.4*	-	-	-	-	1.9	3.5	3.0	3.7*	8.5	
Boom 6.25 m Gooseneck arm 4.0 m Outrigger Front & Rear		3.0 m				4.5 m				6.0 m					
		Across UC		Along UC		Across UC		Along UC		Across UC		Along UC			
		m	u	d	u	d	u	d	u	d	u	d	u	d	
		10.5	-	-	-	-	5.7*	5.7*	5.7*	5.7*	-	-	-	-	
		9.0	-	-	-	-	5.7*	5.7*	5.7*	5.7*	3.9	5.0*	5.0*	5.0*	
		7.5	-	-	-	-	5.7*	5.7*	5.7*	5.7*	3.9	4.9*	4.9*	4.9*	
		6.0	-	-	-	-	5.9	6.1*	6.1*	6.1*	3.8	5.1*	5.1*	5.1*	
		4.5	9.8*	9.8*	9.8*	9.8*	5.6	6.9*	6.9*	6.9*	3.7	5.5*	5.5*	5.5*	
		3.0	-	-	-	-	5.1	8.0*	8.0*	8.0*	3.4	5.9*	5.3	5.9*	
		1.5	-	-	-	-	4.7	8.5*	7.6	8.5*	3.2	6.2*	5.0	6.2*	
		0.0	-	-	-	-	4.5	6.5*	6.5*	6.5*	3.1	6.2*	4.9	6.2*	
		-1.5	-	-	-	-	-	-	-	-	3.0	5.6*	4.8	5.6*	
			7.5 m				9.0 m				Max.				
			Across UC		Along UC		Across UC		Along UC		Across UC		Along UC		Max.
			m	u	d	u	d	u	d	u	d	u	d	u	d
		10.5	-	-	-	-	-	-	-	-	4.9	5.0*	5.0*	5.0*	5.1
		9.0	-	-	-	-	-	-	-	3.0	4.2*	4.2*	4.2*	7.1	
		7.5	2.8	4.4*	4.1	4.4*	-	-	-	2.3	3.9*	3.4	3.9*	8.4	
		6.0	2.7	4.4*	4.0	4.4*	2.0	3.9*	3.0	3.9*	1.9	3.8*	2.9	3.8*	9.2
		4.5	2.6	4.6*	3.9	4.6*	2.0	4.0*	3.0	4.0*	1.7	3.6	2.7	3.7*	9.7
		3.0	2.5	4.8*	3.8	4.8*	1.9	4.0	2.9	4.0*	1.6	3.4	2.5	3.5*	10.0
		1.5	2.4	4.9*	3.7	4.9*	1.9	3.9	2.9	4.0*	1.6	3.4	2.5	3.4*	10.0
		0.0	2.3	4.8*	3.6	4.8*	1.8	3.8*	2.8	3.8*	1.6	3.2*	2.5	3.2*	9.9
		-1.5	2.3	4.4*	3.6	4.4*	-	-	-	-	2.0	3.7*	3.0	3.7*	8.5

# Specifications

## EW240E Material Handler G11



<b>ORANGE PEEL GRAPPLE/POLY GRAB EW240E MH G11</b>		
<b>With poly grapple on gooseneck arm</b>		
Width (closed)	mm	1 520
Opening width	mm	2 130
Height (closed)	mm	2 580
Volume	l	600



**LIFTING CAPACITY EW240E MATERIAL HANDLER G11**

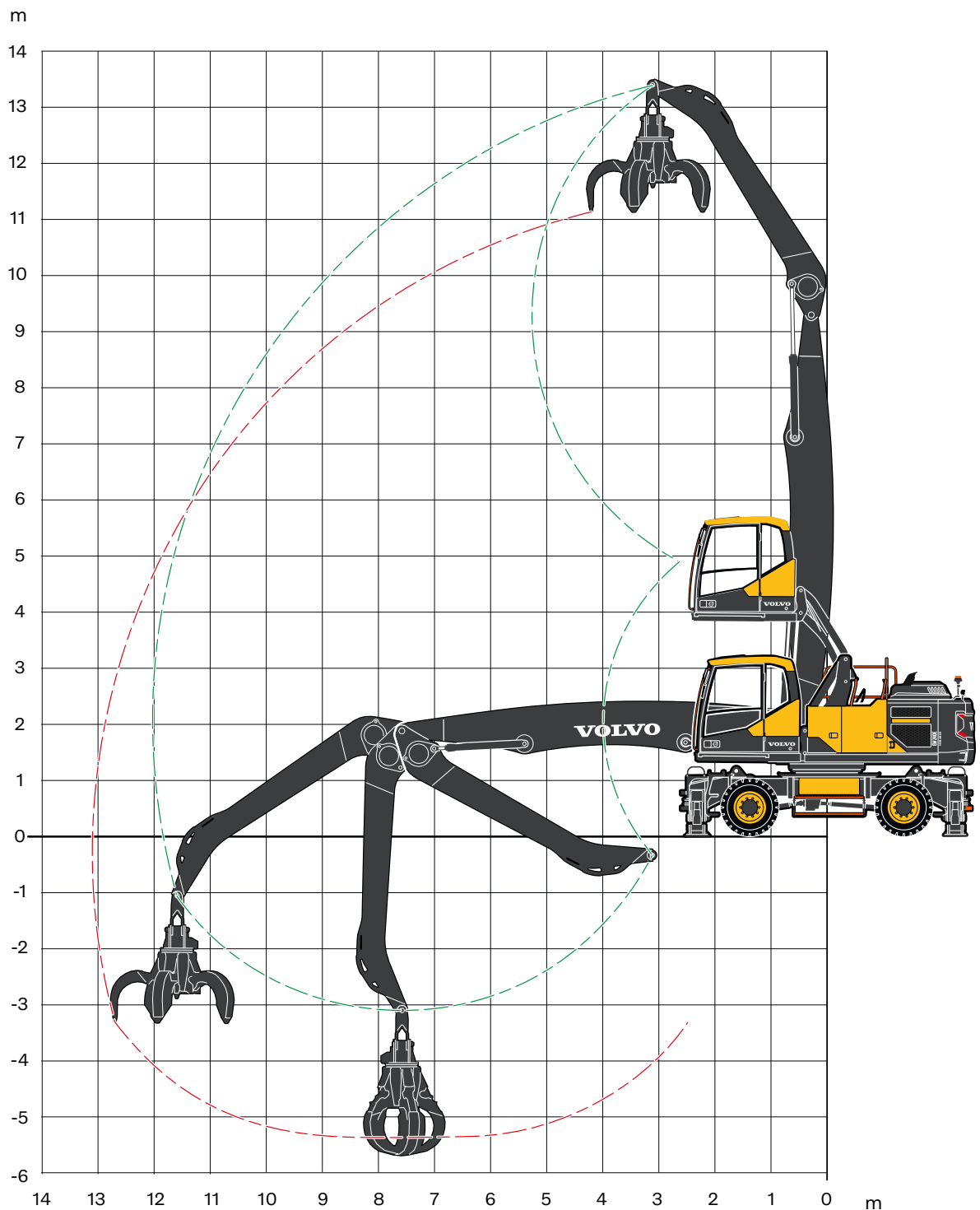
At the arm end without grapple. For lifting capacity including grapple, simply subtract actual weight of this part from the following values.  
Unit: 1 000kg

Notes: 1. Working pressure = 35 MPa. 2. The above values are in compliance with ISO standard 10 567. They do not exceed 87 % of hydraulic lifting capacity or 75 % of tipping load, with the machine on firm, level ground. 3. Load capacities marked with an asterisk (\*) are limited by machine's hydraulic lifting capacity rather than tipping load.

Lifting point	Reach from machine centre (u = support up/d = support down)																	
	3.0 m				4.5 m				6.0 m									
	Across UC		Along UC		Across UC		Along UC		Across UC		Along UC							
m	u	d	u	d	u	d	u	d	u	d	u	d						
12.0	-	-	-	-	6.8*	6.8*	6.8*	6.8*	-	-	-	-						
10.5	-	-	-	-	-	-	-	-	5.0	6.3*	6.3*	6.3*						
9.0	-	-	-	-	-	-	-	-	5.1	6.0	6.0	6.0						
7.5	-	-	-	-	-	-	-	-	5.0	6.1	6.1	6.1						
6.0	-	-	-	-	-	-	-	-	4.9	6.4	6.4	6.4						
4.5	-	-	-	-	7.2	8.7	8.7	8.7	4.6	7.0	6.2	7.0						
3.0	-	-	-	-	6.4	10.1	9.0	10.1	4.3	7.7	5.9	7.7						
1.5	-	-	-	-	5.8	11.3	8.3	11.3	3.9	8.2	5.5	8.2						
0.0	3.4	3.4	3.4	3.4	5.3	10.4	7.8	10.4	3.7	8.2	5.2	8.3						
-1.5	-	-	-	-	5.1	9.1	7.6	9.1	3.5	7.9	5.1	7.9						
-3.0	-	-	-	-	-	-	-	-	3.5	6.8	5.0	6.8						
Straight boom 6.5 m Gooseneck arm 5.0 m Front and rear outriggers	7.5 m				9.0 m				10.5 m				Max.					
	Across UC		Along UC		Across UC		Along UC		Across UC		Along UC		Across UC		Along UC		Max.	
	m	u	d	u	d	u	d	u	d	u	d	u	d	u	d	m		
	12.0	-	-	-	-	-	-	-	-	-	-	-	-	6.4*	6.4*	6.4*	6.4*	4.7
	10.5	-	-	-	-	-	-	-	-	-	-	-	-	3.7	5.2*	4.9	5.2*	7.2
	9.0	3.5	5.5	4.7	5.5	-	-	-	-	-	-	-	-	2.7	4.7	3.6	4.7	8.7
	7.5	3.5	5.5	4.7	5.5	2.6	5.0	3.4	5.0	-	-	-	-	2.2	4.4	3.0	4.5	9.8
	6.0	3.4	5.6	4.6	5.6	2.5	5.0	3.4	5.0	-	-	-	-	1.9	3.9	2.6	4.4	10.5
	4.5	3.3	5.9	4.4	5.9	2.4	4.9	3.3	5.2	1.9	3.8	2.6	4.5	1.7	3.6	2.4	4.3	10.9
	3.0	3.1	6.3	4.2	6.3	2.3	4.8	3.2	5.3	1.8	3.8	2.5	4.5	1.6	3.4	2.3	4.2	11.2
	1.5	2.9	6.1	4.0	6.5	2.2	4.7	3.1	5.4	1.8	3.7	2.5	4.4	1.6	3.4	2.3	4.0	11.2
	0.0	2.7	5.9	3.9	6.5	2.1	4.6	3.0	5.2	1.7	3.7	2.4	4.2	1.6	3.4	2.3	3.8	11.0
-1.5	2.6	5.8	3.8	6.1	2.1	4.5	3.0	4.9	-	-	-	-	1.7	3.6	2.4	3.6	10.5	
-3.0	2.6	5.3	3.7	5.3	-	-	-	-	-	-	-	-	2.5	5.0	3.5	5.0	7.8	

# Specifications

## EW240E Material Handler G12



<b>ORANGE PEEL GRAPPLE/POLY GRAB EW240E MH G12</b>		
<b>With poly grapple on gooseneck arm</b>		
Width (closed)	mm	1 520
Opening width	mm	2 130
Height (closed)	mm	2 580
Volume	l	600



**LIFTING CAPACITY EW240E MATERIAL HANDLER G12**

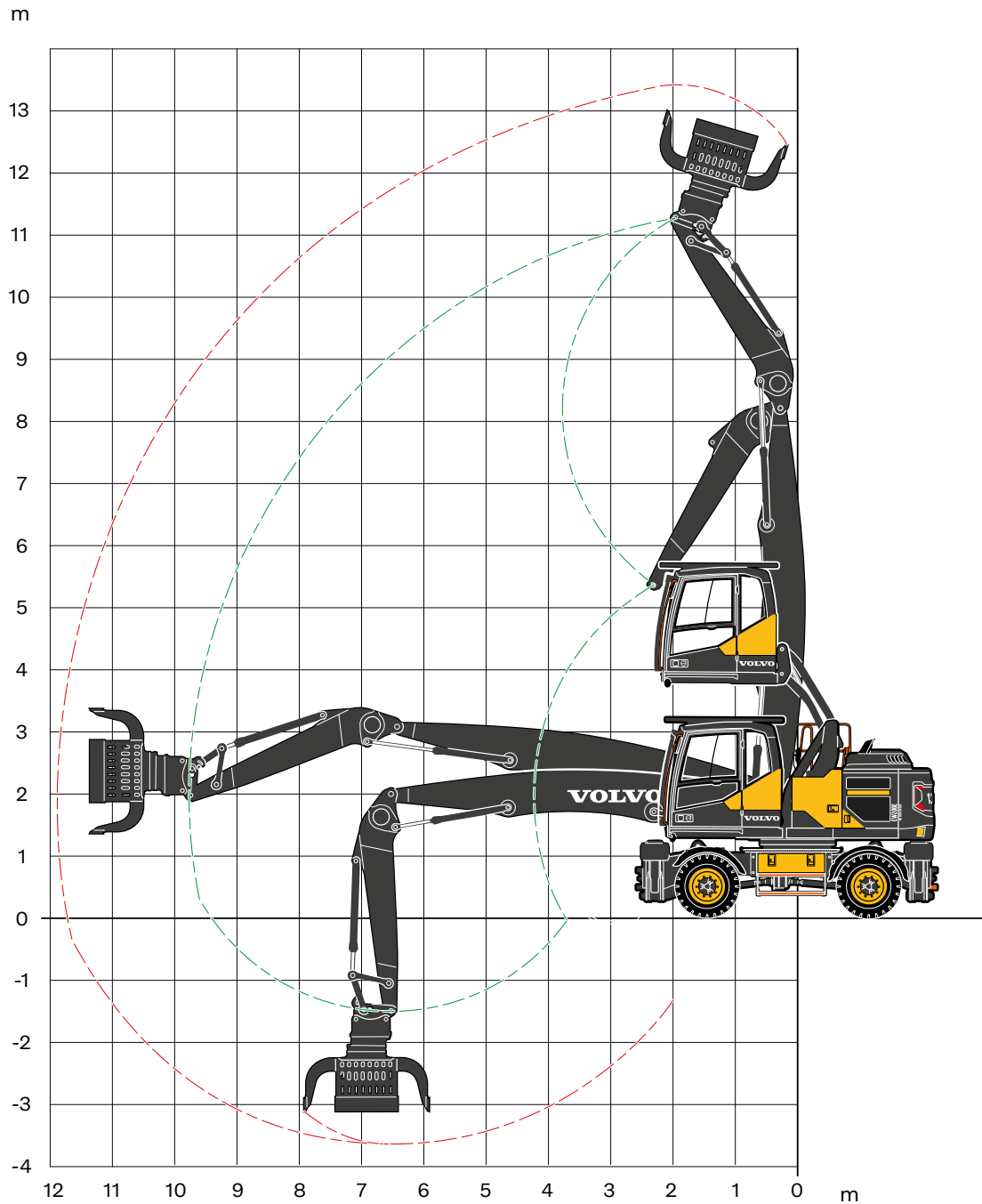
At the arm end without grapple. For lifting capacity including grapple, simply subtract actual weight of this part from the following values.  
Unit: 1 000kg

Notes: 1. Working pressure = 35 MPa. 2. The above values are in compliance with ISO standard 10 567. They do not exceed 87 % of hydraulic lifting capacity or 75 % of tipping load, with the machine on firm, level ground. 3. Load capacities marked with an asterisk (\*) are limited by machine's hydraulic lifting capacity rather than tipping load.

Lifting point	Reach from machine centre (u = support up/d = support down)																	
	4.5 m				6.0 m				7.5 m									
	Across UC		Along UC		Across UC		Along UC		Across UC		Along UC							
m	u	d	u	d	u	d	u	d	u	d	u	d						
12.0	7.5*	7.5*	7.5*	7.5*	4.8	6.0*	6.0*	6.0*	-	-	-	-						
10.5	-	-	-	-	5.0	6.1*	6.1*	6.1*	3.5	5.4*	4.6	5.4*						
9.0	-	-	-	-	5.1	6.0*	6.0*	6.0*	3.5	5.3*	4.7	5.3*						
7.5	-	-	-	-	5.0	6.1*	6.1*	6.1*	3.5	5.3*	4.6	5.3*						
6.0	7.5	8.0*	8.0*	8.0*	4.7	6.5*	6.4	6.5*	3.3	5.6*	4.5	5.6*						
4.5	6.8	9.1*	9.1*	9.1*	4.4	7.1*	6.0	7.1*	3.1	5.8*	4.3	5.8*						
3.0	5.9	10.4*	8.5	10.4*	4.0	7.7*	5.6	7.7*	2.9	6.1	4.0	6.1*						
1.5	5.2	8.1*	7.7	8.1*	3.6	8.0*	5.2	8.0*	2.7	5.9	3.8	6.3*						
0.0	4.8*	5.9*	5.9*	5.9*	3.4	7.8	4.9	8.0*	2.5	5.7	3.6	6.3*						
-1.5	4.7	6.2*	6.2*	6.2*	3.2	7.4*	4.8	7.4*	2.4	5.6	3.5	5.9*						
-3.0	-	-	-	-	-	-	-	-	2.4	5.1*	3.5	5.1*						
Boom 7.25 m Gooseneck arm 5.0 m Front and rear outriggers	9.0 m				10.5 m				12.0 m				Max.					
	Across UC		Along UC		Across UC		Along UC		Across UC		Along UC		Across UC		Along UC		Max.	
	m	u	d	u	d	u	d	u	d	u	d	u	d	u	d	m		
	12.0	-	-	-	-	-	-	-	-	-	-	-	-	4.3	5.3*	5.3*	5.3*	6.5
	10.5	-	-	-	-	-	-	-	-	-	-	-	-	2.8	4.7*	3.8	4.7*	8.4
	9.0	2.5	4.8*	3.4	4.8*	-	-	-	-	-	-	-	-	2.2	4.3*	3.0	4.3*	9.7
	7.5	2.5	4.8*	3.4	4.8*	1.9	3.9	2.6	4.3*	-	-	-	-	1.8	3.7	2.5	4.2*	10.7
	6.0	2.5	4.9*	3.3	4.9*	1.9	3.8	2.6	4.3*	-	-	-	-	1.6	3.4	2.2	4.0*	11.3
	4.5	2.3	4.8	3.2	5.0*	1.8	3.8	2.5	4.4*	-	-	-	-	1.4	3.1	2.1	3.9*	11.8
	3.0	2.2	4.7	3.1	5.1*	1.7	3.7	2.4	4.4*	-	-	-	-	1.4	3.0	2.0	3.7*	12.0
	1.5	2.1	4.5	3.0	5.2*	1.6	3.6	2.4	4.3*	1.3	3.0	1.9	3.5*	1.3	3.0	1.9	3.5*	12.0
	0.0	2.0	4.4	2.9	5.1*	1.6	3.5	2.3	4.2*	-	-	-	-	1.3	3.0	2.0	3.3*	11.8
-1.5	1.9	4.3	2.8	4.7*	1.6	3.5	2.3	3.7*	-	-	-	-	1.4	3.2	2.1	3.2*	11.3	
-3.0	-	-	-	-	-	-	-	-	-	-	-	-	2.0	4.3*	2.9	4.3*	8.7	

# Specifications

## EW200E Material Handler S9



### SORTING GRAB EW200E MH S9

#### With sorting grab on sorting arm

Opening width	mm	2 000
Height, max	mm	1 780
Height, min	mm	1 550
Volume	l	650



**LIFTING CAPACITY EW200E MATERIAL HANDLER S9**

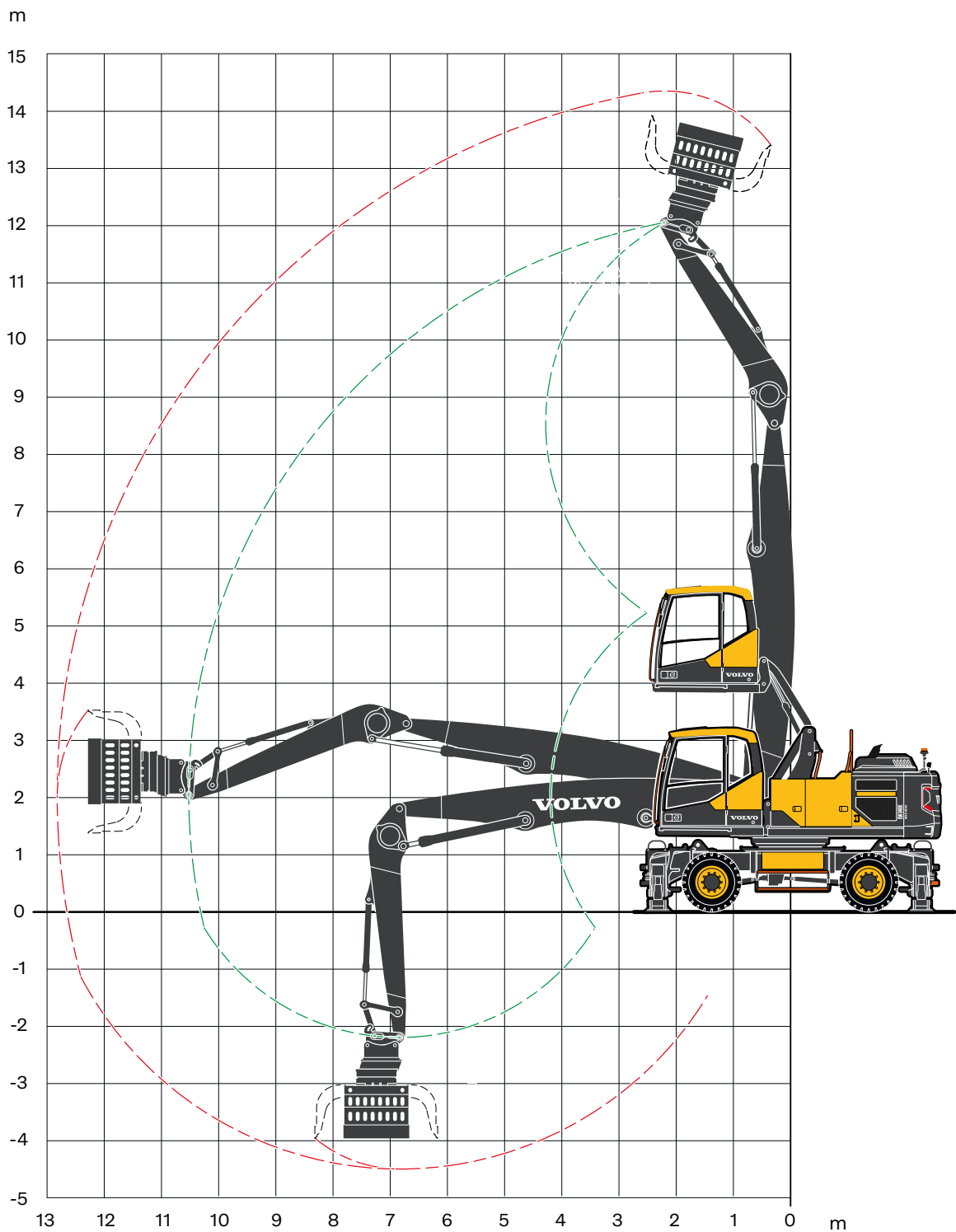
At the arm end without grapple. For lifting capacity including grapple, simply subtract actual weight of this part from the following values.  
Unit: 1 000kg

Notes: 1. Working pressure = 35 MPa. 2. The above values are in compliance with ISO standard 10 567. They do not exceed 87 % of hydraulic lifting capacity or 75 % of tipping load, with the machine on firm, level ground. 3. Load capacities marked with an asterisk (\*) are limited by machine's hydraulic lifting capacity rather than tipping load.

	Lifting point	Reach from machine centre (u = support up/d = support down)																											
		3.0 m				4.5 m				6.0 m				7.5 m				9.0 m				Max.							
		Across UC		Along UC		Across UC		Along UC		Across UC		Along UC		Across UC		Along UC		Across UC		Along UC		Across UC		Along UC		Max.			
		m	u	d	u	d	u	d	u	d	u	d	u	d	u	d	u	d	u	d	u	d	u	d	u	d	m		
Boom 5.5 m Sorting Arm 3.5 m Blade Front & Outrigger Rear	10.5	-	-	-	-	-	-	-	-	-	-	-	-	-	-	-	-	-	-	-	-	-	-	-	8.8*	8.8*	8.8*	8.8*	2.2
	9.0	-	-	-	-	5.6	6.3*	6.3*	6.3*	-	-	-	-	-	-	-	-	-	-	-	-	-	-	-	4.0	5.3*	5.3*	5.3*	5.5
	7.5	-	-	-	-	5.7	5.9*	5.9*	5.9*	3.6	5.2*	5.2*	5.2*	-	-	-	-	-	-	-	-	-	-	-	2.7	4.5*	4.2	4.5*	7.1
	6.0	-	-	-	-	5.6	6.2*	6.2*	6.2*	3.5	5.2*	5.2*	5.2*	2.5	4.3	3.8	4.6*	-	-	-	-	-	-	-	2.2	3.9	3.4	4.3*	8.0
	4.5	8.9*	8.9*	8.9*	8.9*	5.3	6.9*	6.9*	6.9*	3.4	5.5*	5.3	5.5*	2.4	4.3	3.8	4.7*	-	-	-	-	-	-	-	1.9	3.4	3.0	4.1*	8.7
	3.0	-	-	-	-	4.9	7.9*	7.9*	7.9*	3.3	5.9	5.1	5.9*	2.3	4.2	3.7	4.8*	-	-	-	-	-	-	-	1.8	3.2	2.8	3.9*	9.0
	1.5	-	-	-	-	4.6	8.5*	7.6	8.5*	3.1	5.7	5.0	6.2*	2.2	4.1	3.6	4.8*	1.7	3.2	2.8	3.7*	1.7	3.2	2.7	3.6*	2.7	3.6*	9.0	
	0.0	2.3*	2.3*	2.3*	2.3*	4.4	8.3*	7.4	8.3*	3.0	5.6	4.8	6.1*	2.2	4.1	3.5	4.6*	-	-	-	-	-	-	-	1.8	3.3	2.9	3.5*	8.7
	-1.5	-	-	-	-	-	-	-	-	2.9	5.3*	4.8	5.3*	-	-	-	-	-	-	-	-	-	-	-	2.9	5.3*	4.8	5.3*	6.0
Boom 5.5m Sorting Arm 3.5m Outrigger Front & Rear	10.5	-	-	-	-	-	-	-	-	-	-	-	-	-	-	-	-	-	-	-	-	-	-	-	8.8*	8.8*	8.8*	8.8*	2.2
	9.0	-	-	-	-	5.7	6.3*	6.3*	6.3*	-	-	-	-	-	-	-	-	-	-	-	-	-	-	-	4.1	5.3*	5.3*	5.3*	5.5
	7.5	-	-	-	-	5.8	5.9*	5.9*	5.9*	3.7	5.2*	5.2*	5.2*	-	-	-	-	-	-	-	-	-	-	-	2.8	4.5*	4.2	4.5*	7.1
	6.0	-	-	-	-	5.7	6.2*	6.2*	6.2*	3.6	5.2*	5.2*	5.2*	2.5	4.6*	3.8	4.6*	-	-	-	-	-	-	-	2.2	4.3*	3.4	4.3*	8.0
	4.5	8.9*	8.9*	8.9*	8.9*	5.4	6.9*	6.9*	6.9*	3.5	5.5*	5.4	5.5*	2.5	4.7*	3.8	4.7*	-	-	-	-	-	-	-	1.9	4.1	3.0	4.1*	8.7
	3.0	-	-	-	-	5.1	7.9*	7.9*	7.9*	3.3	5.9*	5.2	5.9*	2.4	4.8*	3.7	4.8*	-	-	-	-	-	-	-	1.8	3.9	2.8	3.9*	9.0
	1.5	-	-	-	-	4.7	8.5*	7.6	8.5*	3.2	6.2*	5.0	6.2*	2.3	4.8*	3.6	4.8*	1.8	3.7*	2.8	3.7*	1.8	3.6*	2.8	3.6*	2.8	3.6*	9.0	
	0.0	2.3*	2.3*	2.3*	2.3*	4.5	8.3*	7.4	8.3*	3.1	6.1*	4.9	6.1*	2.3	4.6*	3.5	4.6*	-	-	-	-	-	-	-	1.9	3.5*	2.9	3.5*	8.7
	-1.5	-	-	-	-	-	-	-	-	3.0	5.3*	4.8	5.3*	-	-	-	-	-	-	-	-	-	-	-	3.0	5.3*	4.8	5.3*	6.0

# Specifications

## EW240E Material Handler S11



### SORTING GRAB EW240E MH S11

#### With sorting grab on sorting arm

Opening width	mm	2 150
Height, max	mm	1 890
Height, min	mm	1 690
Volume	l	800

**LIFTING CAPACITY EW240E MATERIAL HANDLER S11**

At the arm end without grapple. For lifting capacity including grapple, simply subtract actual weight of this part from the following values.  
Unit: 1 000kg

Notes: 1. Working pressure = 35 MPa. 2. The above values are in compliance with ISO standard 10 567. They do not exceed 87 % of hydraulic lifting capacity or 75 % of tipping load, with the machine on firm, level ground. 3. Load capacities marked with an asterisk (\*) are limited by machine's hydraulic lifting capacity rather than tipping load.

	Lifting point	Reach from machine centre (u = support up/d = support down)														Max.								
		4.5 m				6.0 m				7.5 m				9.0 m				Across UC		Along UC		Max. m		
		Across UC		Along UC		Across UC		Along UC		Across UC		Along UC		Across UC		Along UC								
m	u	d	u	d	u	d	u	d	u	d	u	d	u	d	u	d	u	d	u	d	m			
Straight boom 6.5 m Sorting arm 4.0 m Front and rear outriggers	12.0	-	-	-	-	-	-	-	-	-	-	-	-	-	-	-	-	-	-	11.4	11.4	11.4	11.4	2.5
	10.5	7.3	8.3	8.3	8.3	4.6	7.1	6.2	7.1	-	-	-	-	-	-	-	-	-	-	4.6	7.1	6.2	7.1	6.0
	9.0	7.5	7.8	7.8	7.8	4.7	6.7	6.4	6.7	3.2	6.0	4.4	6.0	-	-	-	-	-	-	3.0	5.9	4.1	5.9	7.8
	7.5	7.4	7.9	7.9	7.9	4.7	6.7	6.3	6.7	3.3	5.9	4.4	5.9	-	-	-	-	-	-	2.4	4.9	3.3	5.3	8.9
	6.0	7.1	8.5	8.5	8.5	4.6	7.0	6.2	7.0	3.2	6.0	4.4	6.0	2.4	4.8	3.3	5.3	2.1	4.2	2.9	4.9	4.9	9.7	
	4.5	6.7	9.7	9.3	9.7	4.3	7.5	5.9	7.5	3.1	6.2	4.2	6.2	2.3	4.7	3.2	5.3	1.9	3.9	2.6	4.7	4.7	10.2	
	3.0	6.0	11.0	8.6	11.0	4.0	8.1	5.6	8.1	2.9	6.1	4.1	6.5	2.2	4.7	3.1	5.4	1.8	3.7	2.5	4.4	4.4	10.5	
	1.5	5.5	8.6	8.0	8.6	3.8	8.3	5.3	8.4	2.8	6.0	3.9	6.6	2.2	4.6	3.0	5.3	1.7	3.7	2.4	4.1	4.1	10.5	
0.0	5.3	6.9	6.9	6.9	3.6	8.1	5.2	8.2	2.7	5.8	3.8	6.4	2.1	4.5	3.0	5.0	1.8	3.8	2.5	3.8	3.8	10.3		
-1.5	-	-	-	-	3.6	7.3	5.1	7.3	2.7	5.7	3.8	5.7	-	-	-	-	-	-	2.1	4.4	3.0	4.4	9.0	



# Equipment

## STANDARD EQUIPMENT

	EW200E MATERIAL HANDLER	EW240E MATERIAL HANDLER
<b>Engine</b>		
Turbocharged, 4 stroke Volvo diesel engine with water cooling, direct injection and charged air cooler that meets EU Stage V emission requirements	•	•
Intake air pre-heater	•	•
ECO mode	•	•
Fuel filter and water separator	•	•
Fuel filler pump: 50 l/min with automatic shut-off	•	•
Aluminium core radiator	•	•
<b>Electric / Electronic control system</b>		
Contronics-computerized monitoring and diagnostic system	•	•
Travel alarm	•	•
Adjustable automatic idling system	•	•
Adjustable monitor	•	•
Safety stop / start function and master electrical disconnect switch	•	•
Joystick Controlled Support (blade / outrigger function on LH joystick)	•	•
Halogen Front and LED rear driving lights for left hand driving	•	•
Alternator, 140 A	•	•
Batteries, 2 x 12 V / 140 Ah	•	•
Start motor, 24 V / 5.5 kW	•	•
CareTrack via GSM or satellite	•	•
Rear view camera	•	•
Side view camera left hand side	•	•
<b>Superstructure</b>		
Reinforced upper frame and modified position of boom and boom cylinders - tailor-made for material handling application	•	•
Service walkway with anti-slip grating	•	•
Centralised lubricating point for slew bearing	•	•
<b>Undercarriage</b>		
Longer, wider, stiffer undercarriage for higher rigidity and durability in handling applications	–	•
With 4 reinforced outriggers with enlarged outrigger pads	–	•
2.75 m wide axles	–	•
2.5 m wide axles	•	–
3-speed power transmission plus creep speed up to 20 km/h OR up to 19 km/h with CDC without steering wheel	•	•
Oscillating front axle $\pm$ 4.5%	•	•
2-circuit travel brakes	•	•
Extended axle lock (EAL)	•	•
Steps on outrigger (front and rear) for easier access	•	•
<b>Hydraulic system</b>		
Load sensing hydraulic system	•	•
Boom float function	•	•
Pressure relief system (servo accumulator)	•	•
Proportional controlled visco-clutch cooling fan	•	•
Hose rupture valve for boom and arm	•	•
Hydraulic long life oil ISO VG46	•	•
Boom dampening system	•	•
Soft swing function	•	•
Arm in limitation function	•	•

## STANDARD EQUIPMENT

	EW200E MATERIAL HANDLER	EW240E MATERIAL HANDLER
<b>Cab and interior</b>		
Volvo hydraulic elevated Care Cab with fixed roof hatch	•	•
Heater & air-conditioner, automatic	•	•
Hydraulic dampening cab mounts	•	•
Adjustable operator seat and joystick control console	•	•
Adjustable steering column	•	•
Hydraulic safety lock lever	•	•
L8 control joystick, with 5 roller switches	•	•
Cab, all-weather sound suppressed, includes:	•	•
Cup holder	•	•
Door locks	•	•
Safety glass, light tinted	•	•
Floor mat	•	•
Horn	•	•
Large storage area	•	•
Pull-up type front window	•	•
Removable lower windshield	•	•
2 inch retractable seat belt	•	•
Windshield wiper with washer and intermittent feature	•	•
Sun shield, front, roof & rear	•	•
Master ignition key	•	•
Lower wiper	•	•
<b>Digging equipment</b>		
Centralised lubrication point	•	•

## OPTIONAL EQUIPMENT

	EW200E MATERIAL HANDLER	EW240E MATERIAL HANDLER
<b>Engine</b>		
Diesel coolant heater with digital timer	•	•
Block heater, 240 V/120 V	•	•
Water separator with heater	•	•
Dust net	•	•
Reversible fan	•	•
Air inlet turbo pre-cleaning system	•	•
Micro- mesh and sealing for engine compartment	•	•
Tropical cooling	•	•
Automatic engine shutdown	•	•
Waste package	•	•
<b>Electric / Electronic control system</b>		
Remote controlled welcome light	•	•
24 channel electric centre passage	•	•
Luxury LED work lights package (11) - includes:	•	•
a) remote controlled welcome lights	•	•
b) boom-mounted (2)	•	•
c) rear cab (1) and counterweight mounted (1)	•	•
d) cab front (4)	•	•
e) arm mounted (2)	•	•
f) LED light for side camera	•	•
Cruise control	•	•
Anti-theft system	•	•
Tilting and rotating attachment preparation	•	•
Rotating beacon on cab and counterweight	•	•

## OPTIONAL EQUIPMENT

	EW200E MATERIAL HANDLER	EW240E MATERIAL HANDLER
<b>Undercarriage</b>		
Twin tires 10.00 – 20	•	•
Stone protection rings	•	•
4 outriggers + cleaning blade at front	–	•
Blade front with outrigger rear	•	–
Standard toolbox or Drawer type toolbox at either side	•	•
2.7 m wide axels	•	•
2.5 m standard width axles	•	–
<b>Hydraulic system</b>		
Hydraulic oil, biodegradable ISO VG32	•	•
Hydraulic oil, biodegradable ISO VG46	•	•
Hydraulic long life oil ISO VG32	•	•
Hydraulic long life oil ISO VG68	•	•
Hydraulic equipment for attachments : peel grapple and sorting grab	•	•
Height limitation function	•	•
Flow and pressure control	•	•

## OPTIONAL EQUIPMENT

	EW200E MATERIAL HANDLER	EW240E MATERIAL HANDLER
<b>Cab and interior</b>		
Falling object guard (FOG)	•	•
Cab mounted falling object protective structures (FOPS)	•	•
Rain shield, front	•	•
Sunlight protection, roof hatch (steel)	•	•
Safety net for front window	•	•
One-piece polycarbonate window	•	•
Anti-vandalism kit	•	•
Radio with CD player and MP3 input	•	•
Ashtray	•	•
Lighter	•	•
Fabric seat, with heater	•	•
Fabric seat, with heater and air suspension	•	•
Luxury operator seat	•	•
<b>Digging equipment</b>		
6.5 m or 7.25 m straight boom	–	•
5.5 m or 6.25 m straight boom	•	–
Gooseneck arm 5.0 m	–	•
Gooseneck arm 4.0 m	•	–
Sorting arm 3.5 m	•	–
Sorting arm 4.0 m	–	•
Arm hoses protection	–	•
<b>Service</b>		
Wheel chocks	•	•
Tool kit, daily maintenance	•	•
<b>Attachments</b>		
Sorting grabs	•	•
Poly grapples	•	•

## SELECTION OF VOLVO OPTIONAL EQUIPMENT

### Volvo Smart View



### Boom height limitation



### Guarding packages



### Waste packages



### Steel mudguards (EW200E Material Handler)



### LED lights



Not all products are available in all markets. Under our policy of continuous improvement, we reserve the right to change specifications and design without prior notice. The illustrations do not necessarily show the standard version of the machine.

**VOLVO**

**Volvo Construction Equipment**

[volvo.com](http://volvo.com)