

Volvo Construction Equipment
Building Tomorrow



EC750E_{HR}

Volvo Excavators



Reaching new heights

PATENTED HYDRAULIC MODULAR JOINTS

- Change from high reach to digging configuration using two-pin hydraulic lock
- Second hydraulic modular joint on extension boom
- Common interface between extension boom and digging boom for quick configuration

EASY TO TRANSPORT

- Retractable undercarriage
- Easy-to-remove track frames
- Remove full counterweight with additional counterweight in one go hydraulically

AN EXCEPTIONAL HIGH-REACH EXCAVATOR

- Maximum pin height of 36m
- 10m reach below ground



OUTSTANDING STABILITY

- All-new undercarriage specifically developed for demolition segment – heavier and wider than the larger EC950E undercarriage
- 0.5m longer than conventional EC750E
- Impressive track gauge of 4.3m
- Total machine weight of 104 tonnes

VISIBLY IN CONTROL

- Large area of laminated glazing for good sight lines of work area
- Comfortable and spacious cab with convenient layout of controls
- Cabin tilts to 30°, reducing operator strain and fatigue
- Dust suppression system and camera on demolition arm as standard – delivering high quality images to in-cab display
- Real-time Total Moment Indicator as standard

ADDED PROTECTION

- Volvo Care Cab with Falling Object Guard (FOG) and side impact protection (SIPS)
- Heavy-duty belly cover and under cover
- Swing ring protection guard
- Added protection on boom and crusher cylinders
- Full support of Volvo aftermarket and dealer network

MULTI-USE DEMOLITION MACHINE

- Work underground and under water
- Offered with two high-reach demolition boom sets and one digging boom set with extension
- Carry a tool of to 3.6 tonnes when working at maximum height
- Second high-reach configuration has 26m maximum pin height for use with larger 5 tonne tool
- Digging boom set with 4.4m extension allows for 18m pin height while using a tool up to 6.5 tonnes

Volvo EC750E_{HR} in detail

Engine

The latest generation, Volvo engine Stage V emissions certified diesel engine fully meets the demands of the latest, emissions regulations. Featuring Volvo Advanced Combustion Technology (V-ACT), it is designed to deliver superior performance and fuel efficiency. The engine uses precise, high-pressure fuel injectors, turbo charger and air-to-air intercooler, and electronic engine controls to optimize machine performance. Air Filter: 3-stage with precleaner. Automatic Idling System: Reduces engine speed to idle when the levers and pedals are not activated resulting in less fuel consumption and low cab noise levels.

Engine	Stage V	Volvo	D16J
Max power at	r/s / r/min		30 / 1 800
Net, ISO 9249/SAE J1349	kW / hp		392 / 533
Gross, ISO 14396/SAE J1995	kW / hp		393 / 534
Max torque at	Nm / r/min		2 570 / 1 350
No. of cylinders			6
Displacement	l		16.1
Bore	mm		144
Stroke	mm		165

Electrical system

High-capacity electrical system that is well protected. Waterproof double-lock harness plugs are used to secure corrosion-free connections. The main relays and solenoid valves are shielded to prevent damage. The master switch is standard. Contronics provides advanced monitoring of machine functions and important diagnostic information.

Voltage	V		24
Batteries	V		2 x 12
Battery capacity	Ah		210
Alternator	V / Ah		28 / 80

Swing system

The swing system uses an axial piston motors, driving a planetary gearbox for maximum torque. An automatic holding brake and anti-rebound valve are standard.

Max. slew speed	r/min		7
Max. slew torque	kNm		275.3

Drive

Each track is powered by an automatic two-speed shift travel motor. The track brakes are multi-disc, spring-applied and hydraulic released. The travel motor, brake and planetary gears are well protected within the track frame.

Max. drawbar pull	kN		472
Max. travel speed (1st Gear/2nd Gear)	km/h		2.9/4.6
Gradeability	°		33

Undercarriage

The undercarriage is design for robustness, stability and transportability, with removable track frames.

Track pads			2 x 52
Link pitch	mm		260.4
Shoe width, triple grouser	mm		-
Shoe width, double grouser	mm		650 / 750 / 900
Bottom rollers			2 x 9
Top rollers			2 x 3

Service refill capacities

Fuel tank	l		800
AdBlue/DEF tank	l		80
Hydraulic system, total	l		655
Hydraulic tank	l		350
Engine oil	l		52
Engine coolant	l		66
Slew reduction unit	l		2 x 6.8
Travel reduction unit	l		2 x 13.5

Hydraulic system

The new electro-hydraulic system and new MCV (main control valve) use intelligent technology to control on-demand flow for high-productivity, high-digging capacity and excellent fuel consumption. The following important functions are included in the system:
 Summation system: Combines the flow of both hydraulic pumps to a single function to ensure quick cycle times and high productivity.
 Boom priority: Gives priority to the boom operation for faster raising when loading or performing deep excavations.
 Arm priority: Gives priority to the arm operation for faster cycle times in leveling and for increased bucket filling when digging.
 Swing priority: Gives priority to swing functions for faster simultaneous operations.
 Regeneration system: Prevents cavitation and provides flow to other movements during simultaneous operations for maximum productivity.
 Power boost: All digging and lifting forces are increased.
 Holding valves: Boom and arm holding valves prevent the digging equipment from creeping

Main pump, Type 2 x variable displacement axial piston pumps			
Maximum flow	l/min		2 x 450
Pilot pump, Type Gear pump			
Maximum flow	l/min		34.5

Hydraulic motors

Travel: Variable displacement axial piston motor with mechanical brake
 Slew: Fixed displacement axial piston motor with mechanical brake

Relief valve setting			
Implement	MPa		33.8/35.8
Travel circuit	MPa		33.8
Slew circuit	MPa		26.5
Pilot circuit	MPa		3.9

Base boom cylinder

Quantity			2
Bore	ø mm		230
Stroke	mm		1 697

Tilting Cab

The standard hydraulically tilting cabin tilts up to 30 degrees to enhance visibility and reduce operator fatigue and neck strain on high-reach jobs. The operator's cab has easy access via a wide door opening. The cab is supported on hydraulic dampening mounts to reduce shock and vibration levels. These along with sound absorbing lining provide low noise levels. The cab has excellent all-round visibility, especially upward, with a wide front glass and top wiper.
 Integrated air-conditioning and heating system: The pressurized and filtered cab air is supplied by an automatically-controlled fan. The air is distributed throughout the cab from 14 vents.
 Ergonomic operator's seat: The adjustable seat and joystick console move independently to accommodate the operator. The seat has 12 different adjustments plus a seat belt for the operator's comfort and safety. Refrigerant of the type R134a is used when this machine is equipped with air conditioning. Contains fluorinated greenhouse gas R134a, Global Warming Potential 1.430 t CO₂-eq

Sound Level

Sound pressure level in cab according to ISO 6396			
L _{pA}	dB		72
External sound level according to ISO 6395 and EU Noise Directive 2000/14/EC			
L _{WA}	dB		108

MACHINE WEIGHTS

EC750EHR	750 mm shoe
	Hydr. retracted undercarriage

At Demolition Equipment (36 m High Reach Boom)

Base machine	kg	79 342
Track frames (2)	kg	39 248
3-piece demolition equipment (excl cradle)	kg	16 700
Additional CWT	kg	4 186
Total weight	kg	103 028

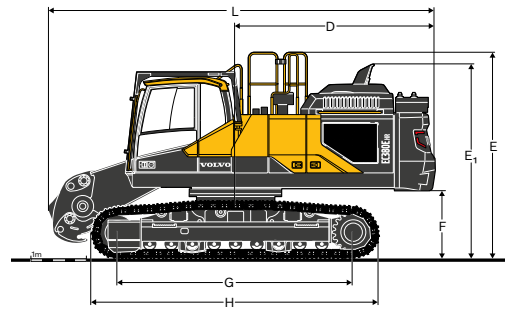
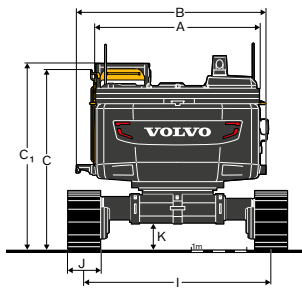
Mid-Reach Configuration

Base machine	kg	79 342
Track frames (2)	kg	39 248
Digging equipment with 3.35m arm (incl cradle)	kg	10 880
Boom extension (incl cradle)	kg	6 780
Total weight without boom extension	kg	89 460
Additional CWT	kg	4 186
Total weight with boom extension	kg	101 188

GROUND PRESSURE

Description	Shoe width	Operating weight	Ground pressure	Overall width
	mm	kg	kPa	mm
High reach demolition mode with 36m boom set, 3 600 kg tool, 15 000 kg counterweight				
Double grouser	650	103 267	136.3	3 795
	750	104 029	119	3 800
	900	105 172	100.3	3 950
High reach demolition boom with 26m boomset, 5 000 kg tool, 15 000 kg counterweight				
Double grouser	650	100 183	132.3	3 795
	750	100 945	115.5	3 800
	900	102 088	97.3	3 950
Mid reach demolition mode with digging boom + EXT. boom + demo. boom, 4.2 m digging arm, 9 100 kg tool, 15 000 kg counterweight				
Double grouser	650	107 678	142.2	3 795
	750	108 440	124.1	3 800
	900	109 583	104.5	3 950
Demolition mode; hydraulically retractable undercarriage, with 8.3 m base boom + digging boom, 4.2 m digging arm, 7 260 kg tool, 11 200 kg counterweight				
Double grouser	650	95 875	126.6	3 795
	750	96 637	110.6	3 800
	900	97 780	93.2	3 950

Specifications

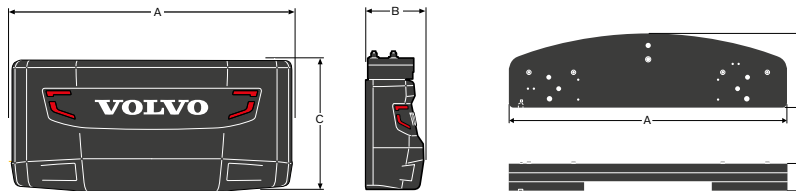


DIMENSIONS

Description	Unit	EC750EHR	
		Undercarriage hydraulically retractable	
A Width superstructure	mm	3 420	
B Overall width with SIPS (both side) with Cab entrance step	mm	3 904	
Overall width with SIPS (both side) without Cab entrance step	mm	3 736	
C Overall height	mm	3 484	
C1 Overall height (incl. FOG)	mm	3 562	
D Tail swing radius	mm	4 238	
E Overall height of Handrail	mm	3 941	
E Overall height of Diffuser	mm	3 790	
F Minimum Counterweight clearance *	mm	1 480	
G Tumbler length	mm	5 280	
H Track length	mm	6 518	
I Track gauge (extended)	mm	4 300	
Track gauge (retracted)	mm	3 050	
J Shoe width	mm	750	
K Min. ground clearance *	mm	563	
L Overall length	mm	8 728	

* With shoe grouser

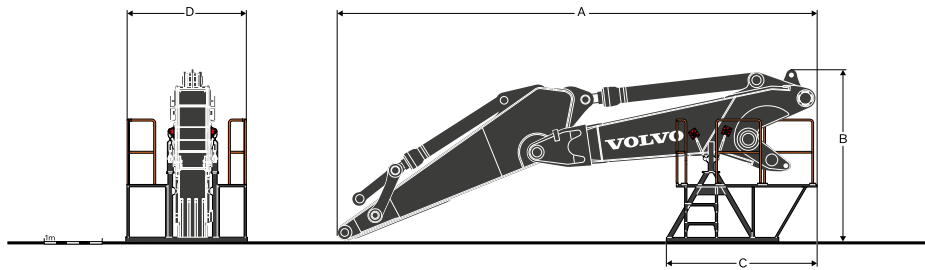
Base machine weight with Counterweight (750mm track shoes): 83 528 kg



DIMENSIONS OF THE COUNTERWEIGHT

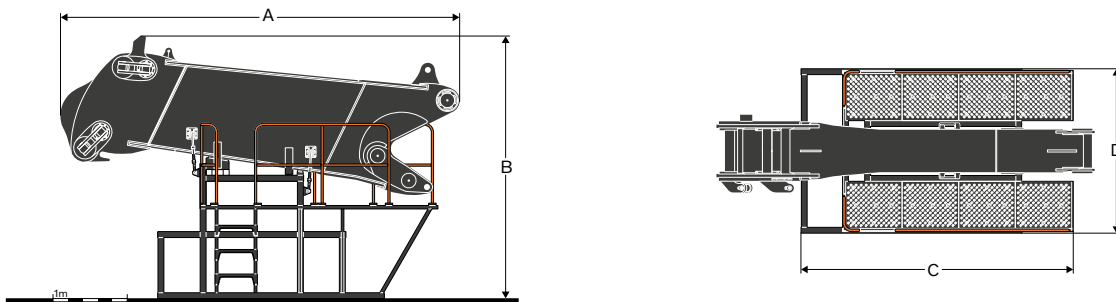
Description	Unit	EC750EHR	
		standard	additional cwt w/ hyd removable
A Width counterweight	mm	3 406	3 240
B Thickness counterweight	mm	808	658
C Height counterweight	mm	1 747	360
Total weight counterweight	kg	11 200	4 186

CAUTION: The machine can transported with the digging boom fitted. If it's transported without digging boom but with additional counterweight, take care of stability (tilting back) during the loading / unloading on truck.



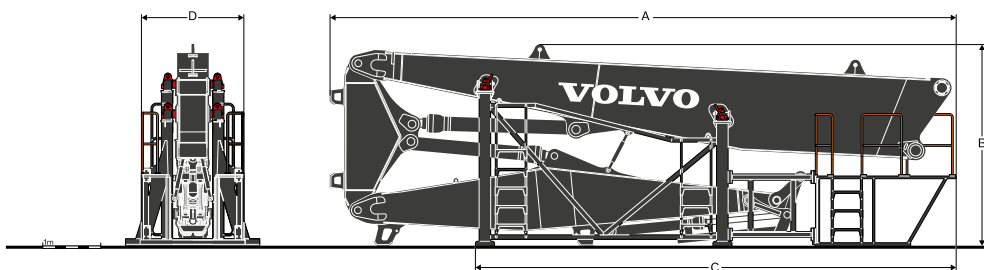
DIMENSIONS OF DIGGING EQUIPMENT

Description	Unit	EC750EHR	
		4.2 m	
A Length - mounting to arm end	mm	8 870	
B Overall height	mm	2 904	
C Length of support cradle	mm	2 571	
D Width of support cradle	mm	2 580	
Weight of digging boom with transport cradle	kg	11 150	



DIMENSIONS OF DIGGING BOOM EXTENSION

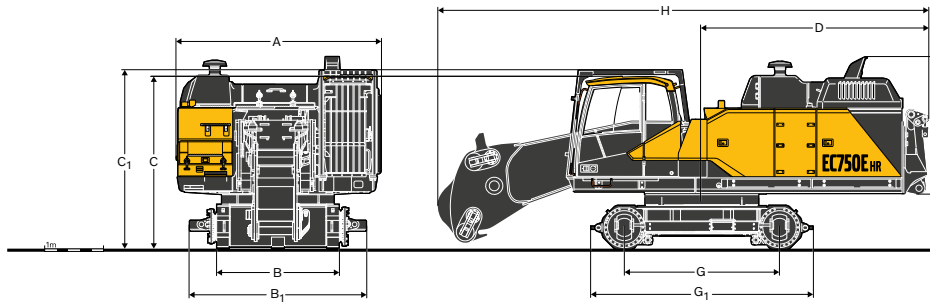
Description	Unit	EC750EHR	
A Overall length	mm	5 383	
B Overall height	mm	3 584	
C Length of support cradle	mm	3 776	
D Width of support cradle	mm	2 580	
Weight, including support cradle	kg	6 867	



DIMENSIONS OF 3-PIECE DEMOLITION BOOM IN SUPPORT CRADLE

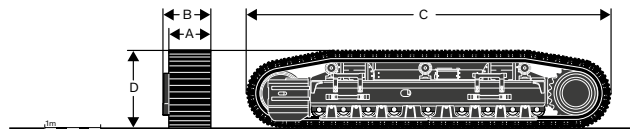
Description	Unit	EC750EHR	
		26m	36m
A Overall length	mm	11 082	17 306
B Overall height	mm	3 569	3 597
C Length of support cradle	mm	8 510	13 838
D Width of support cradle	mm	2 416	2 416
Weight of working equipment without attachment, including support cradle	kg	14 240	19 500

Specifications



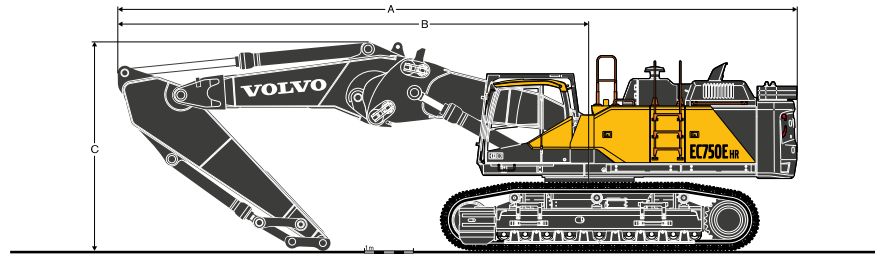
DIMENSION OF BASE MACHINE, TRANSPORTATION MODE

Description	Unit	EC750EHR
		Hydraulically retractable Undercarriage
A. Overall width with Handrail on FOG	mm	3 498
B. Width lower frame center	mm	2 095
B1. Overall width lower frame center	mm	3 044
C. Overall height	mm	2 971
C1. Overall height (incl. FOG)	mm	3 050
D. Swing radius center to CWT linkage	mm	3 867
E. Overall height of Diffuser	mm	3 277
F. Minimum upper frame clearance	mm	921
G. Length lower frame center	mm	2 859
G. Overall length lower frame center	mm	3 781
H. Overall length	mm	8 353
Base machine weight	kg	28 895



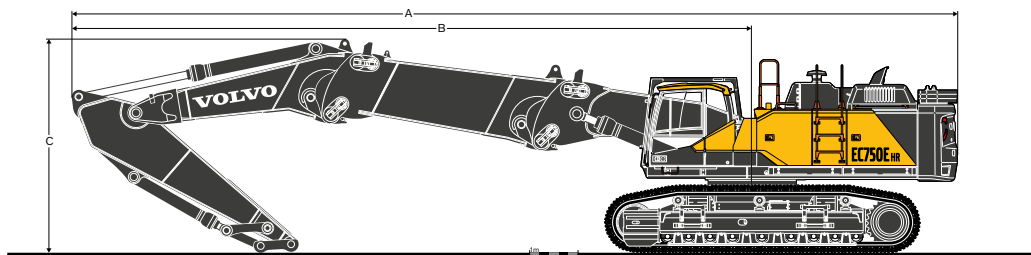
DIMENSION OF BASE MACHINE, TRACK FRAME

Description	Unit	EC750EHR
		Hydraulically retractable Undercarriage
A. Width track	mm	750
B. Overall width track and frame	mm	855
C. Length	mm	6 518
D. Height	mm	1 406
Total weight	kg	19 624



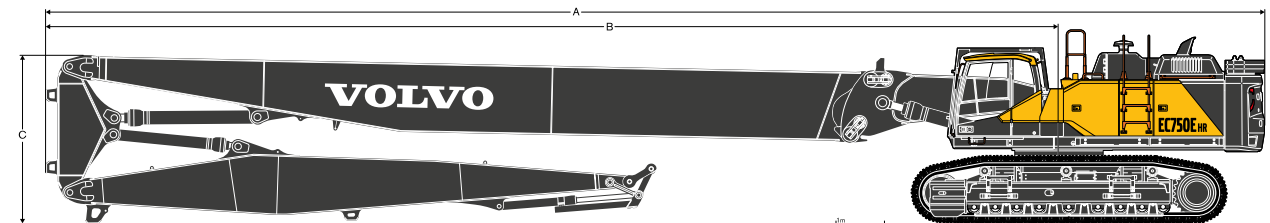
DIMENSIONS WITH DIGGING EQUIPMENT (POSITION FOR TRANSPORT)

Boom		Unit	EC750EHR	
			Straight boom	
Arm			4.2m	
A	Overall length	mm	13 899	
B	Swing centre to front of equipment	mm	9 660	
C	Maximum height of boom in transport position	mm	4 243	
Operating weight, excluding bucket		kg	89 377	



DIMENSIONS WITH DIGGING BOOM EXTENSION

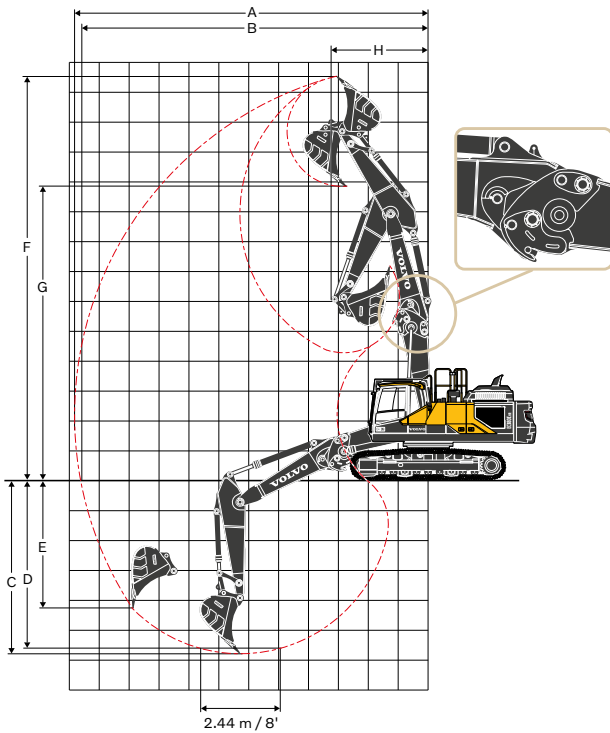
Boom		Unit	EC750EHR	
			Straight Boom	
Arm			4.2m	
A	Overall length	mm	18 311	
B	Swing centre to front of equipment	mm	14 072	
C	Maximum height of boom in transport position	mm	4 418	
Operating weight, excluding tool , cradle		kg	99 340	



DIMENSIONS WITH 3-PIECE DEMOLITION ATTACHMENT

		Unit	EC750EHR	
			26m	36m
A	Overall length	mm	18 939	25 156
B	Swing centre to front of equipment	mm	14 701	20 918
C	Maximum height of boom in transport position	mm	3 621	3 489
Operating weight, excluding crusher		kg	95 945	100 429

Specifications

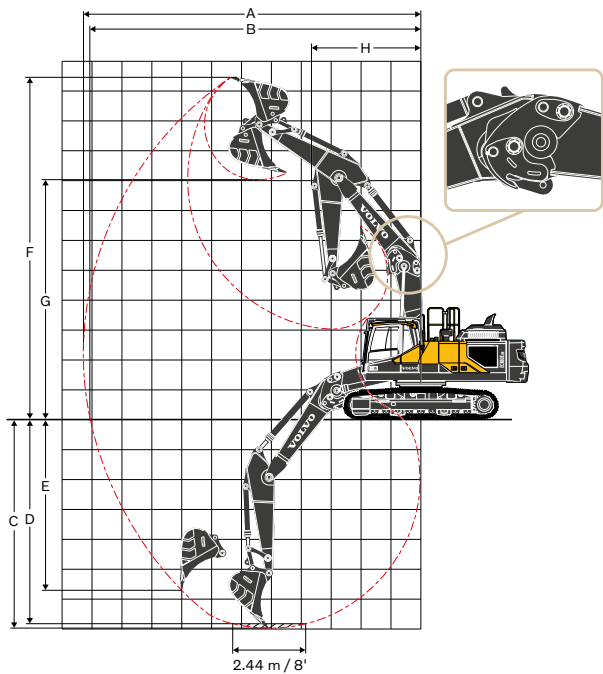


WORKING RANGES WITH STRAIGHT BOOM

		EC750EHR	
Boom		Straight boom	
Arm		4.2m	
Bucket tip radius	mm	2 190	
A	Maximum digging reach	mm	14 567
B	Maximum digging reach on ground	mm	14 339
C	Maximum digging depth	mm	6 861
D	Maximum digging depth (2.4 m level)	mm	6 744
E	Maximum vertical wall digging depth	mm	4 684
F	Maximum cutting height	mm	15 810
G	Maximum dumping height	mm	11 465
H	Minimum front swing radius	mm	4 906

DIGGING FORCES WITH STRAIGHT BOOM

		EC750EHR	
Boom		Straight boom	
Arm		4.2m	
Bucket tip radius	mm	2190	
Breakout force-bucket (Normal/Power boost) ISO	kN	304/317	
Tearout force-arm (Normal / Power boost) ISO	kN	255/266	
Rotation angle, bucket	°	173.4	

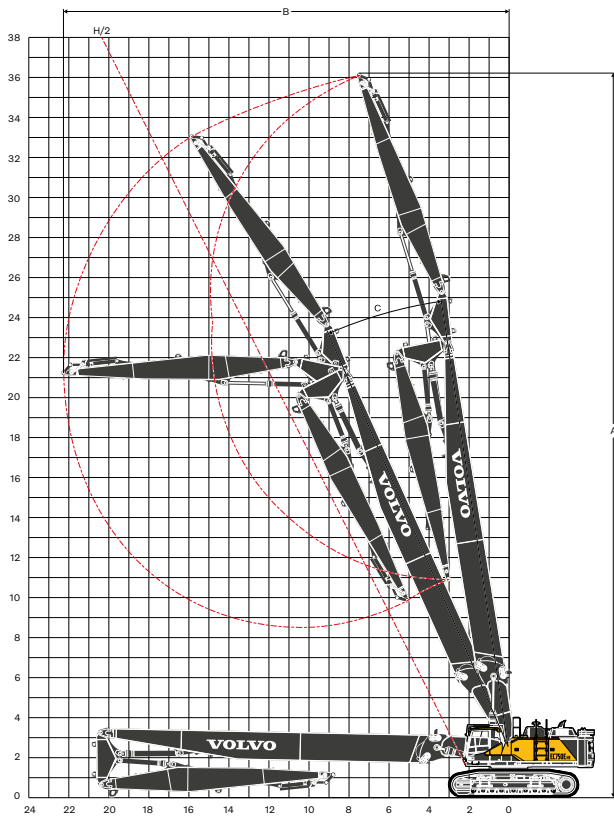


WORKING RANGES WITH BENT BOOM

		EC750EHR	
Boom		Bent boom	
Arm		4.2m	
Bucket tip radius	mm	2 190	
A	Maximum digging reach	mm	13 697
B	Maximum digging reach on ground	mm	13 452
C	Maximum digging depth	mm	8 324
D	Maximum digging depth (2.4 m level)	mm	8 207
E	Maximum vertical wall digging depth	mm	7 257
F	Maximum cutting height	mm	12 520
G	Maximum dumping height	mm	8 558
H	Minimum front swing radius	mm	5 354

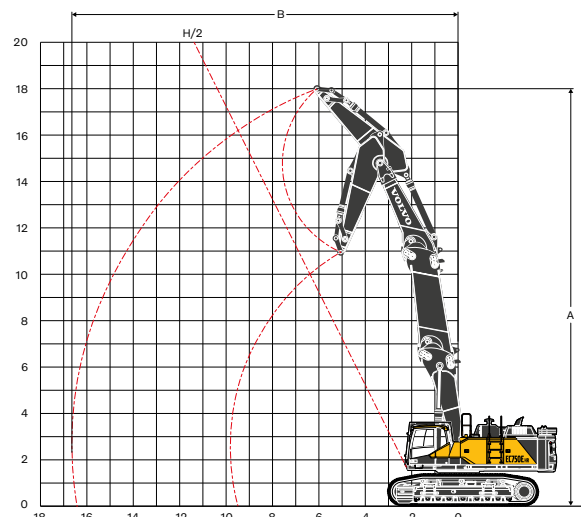
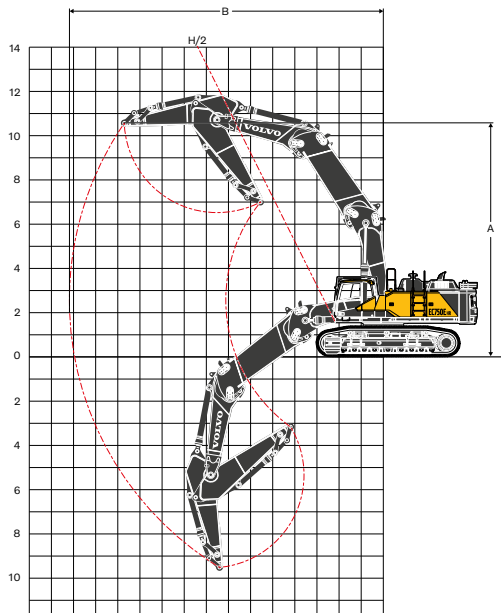
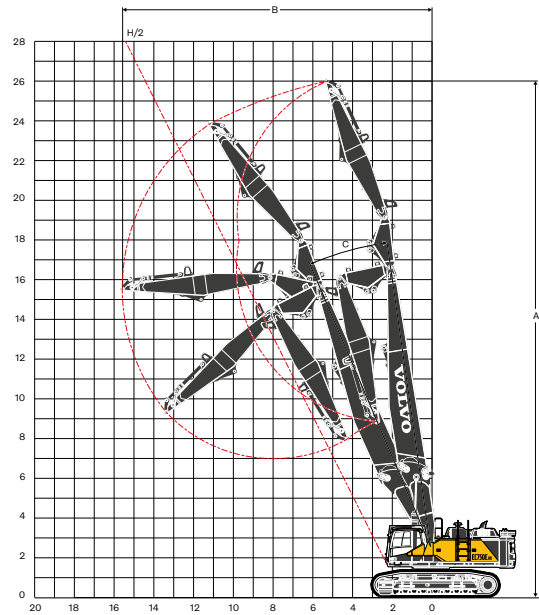
DIGGING FORCES WITH BENT BOOM

		EC750EHR	
Boom		Bent boom	
Arm		4.2m	
Bucket tip radius	mm	2190	
Breakout force-bucket (Normal/Power boost) ISO	kN	304/317	
Tearout force-arm (Normal / Power boost) ISO	kN	255/266	
Rotation angle, bucket	°	173.4	



WORKING RANGES AND MAX. TOOL WEIGHT (machines with 3-piece demolition boom)

Description	Unit	EC750EHR	
		26 m Undercarriage hydraulically retractable	36 m Undercarriage hydraulically retractable
A Maximum pin height	mm	26 000	36 000
Pin height H/2		22 600	31 922 / 31 271*
B Maximum pin reach	mm	15 589	22 273 / 20 626*
Pin reach H/2		12 672	17 348 / 17 023*
Maximum tool weight	t	5	3.6
C Operating angle	°	24	24 / 19*



WORKING RANGES AND MAX. TOOL WEIGHT (machines with digging boom extension)

EC750EHR

Description	Unit	Straight & Straight Boom	Bent & Bent boom
		4.2m arm Undercarriage, hydraulically retractable	4.2m arm
A Maximum pin height	mm	15 083	10 570
B Maximum pin reach	mm	15 314	14 198
Maximum tool weight (@ full reach)	t	6.5	9.5
C Maximum pin depth	mm	N/A	9 509

Specifications

LIFTING CAPACITY EC750EHR

At the arm end without bucket. For lifting capacity including bucket, simply subtract actual weight of the direct fit bucket or the bucket with quick fit from the following values.

	Lifting Point	3.0 m		4.5 m		6.0 m		7.5 m		9.0 m		10.5 m		12.0 m		Max. Reach						
		Along UC	Across UC	Along UC	Across UC	Along UC	Across UC	Along UC	Across UC	Along UC	Across UC	Along UC	Across UC	Along UC	Across UC	Along UC	Across UC	Max. m				
Boom 7.7 m Arm 4.2 m Shoe 900 mm Hyd. Removal CWT 12 816 kg	10.5 m	kg															*10 950	*10 950	8.3			
	9.0 m	kg								*13 390	*13 390						*10 250	*10 250	9.5			
	7.5 m	kg								*16 200	*16 200						*9 940	*9 940	10.4			
	6.0 m	kg							*20 910	*20 910	*18 780	*18 780	*13 770	*13 770			*9 910	*9 910	11.0			
	4.5 m	kg			*40 350	*40 350	*30 130	*30 130	*24 670	*24 670	*21 280	*21 280	*16 740	16 410			*10 100	*10 100	11.3			
	3.0 m	kg							*33 380	*33 380	*26 500	*26 500	*22 310	20 440	*19 450	15 740		*10 510	*10 510	11.5		
	1.5 m	kg							*35 490	*35 490	*27 860	25 680	*23 080	19 330	19 030	15 070		*11 180	*11 180	11.5		
	0 m	kg																		11.2		
		kg			*22 950	*22 950	*36 020	34 440	*28 390	24 320	*23 330	18 440	18 470	14 540				*12 220	*12 220	11.2		
		kg	*17 240	*17 240	*30 190	*30 190	*35 020	33 420	*27 890	23 480	*22 800	17 860	18 140	14 220				*13 800	13 730	10.8		
		kg	*26 320	*26 320	*40 790	*40 790	*32 490	*32 490	*26 120	23 150	*21 100	17 650						*16 360	15 110	10.1		
	kg	*37 370	*37 370	*34 750	*34 750	*28 120	*28 120	*22 570	*22 570	*17 090	*17 090						*16 820	*16 820	9.1			
	kg							*20 870	*20 870	*15 440	*15 440								7.6			
Boom 8.3 m Arm 4.2 m Shoe 900 mm Hyd. Removal CWT 12 816 kg	13.5 m	kg															*15 970	*15 970	5.7			
	12.0 m	kg								*15 380	*15 380						*12 750	*12 750	8.0			
	10.5 m	kg								*16 140	*16 140	*14 370	*14 370				*11 300	*11 300	9.5			
	9.0 m	kg								*15 990	*15 990	*16 080	*16 080	*11 270	*11 270		*10 510	*10 510	10.6			
	7.5 m	kg																	11.3			
		kg							*15 840	*15 840	*17 020	*17 020	*17 210	*17 210	*15 370	*15 370		*10 100	*10 100	11.3		
	6.0 m	kg																	11.9			
		kg							*22 780	*22 780	*20 900	*20 900	*19 590	*19 590	*17 480	15 780		*9 910	*9 910	11.9		
	4.5 m	kg																	12.2			
		kg							*34 680	*34 680	*27 610	26 800	*23 060	19 780	19 090	15 180	*12 820	11 840	*9 920	*9 920	12.2	
	3.0 m	kg																	12.4			
	kg							*35 970	35 360	*28 320	24 890	*23 330	18 670	18 420	14 530	14 700	11 550	*10 130	*10 130	12.4		
1.5 m	kg																	12.3				
	kg							*34 390	32 940	*28 170	23 360	22 700	17 720	17 820	13 960	14 420	11 280	*10 520	*10 520	12.3		
0 m	kg																	12.1				
	kg							*32 990	31 750	*26 940	22 390	22 000	17 060	17 400	13 560	*13 270	11 140	*11 150	11 010	12.1		
-1.5 m	kg																	11.7				
	kg							*17 480	*17 480	*29 380	*29 380	*24 500	21 960	*20 170	16 720	*16 210	13 390		*12 090	11 620	11.7	
-3.0 m	kg																	11.0				
	kg							*26 020	*26 020	*24 250	*24 250	*20 720	*20 720	*16 970	16 750	*12 670	*12 670	*10 190	*10 190	11.0		
-4.5 m	kg																	10.1				
	kg																	*15 280	*15 280	*11 850	*11 850	10.1
Boom 7.7 m Arm 4.2 m Shoe 750 mm Hyd. Removal CWT 12 816 kg	10.5 m	kg															*10 950	*10 950	8.3			
	9.0 m	kg															*10 250	*10 250	9.5			
	7.5 m	kg															*9 940	*9 940	10.4			
	6.0 m	kg															*9 910	*9 910	11.0			
	4.5 m	kg															*10 100	*10 100	11.3			
	3.0 m	kg															*10 510	*10 510	11.5			
	1.5 m	kg															*11 180	*11 180	11.5			
	0 m	kg																	11.2			
		kg																	11.2			
		kg																	11.2			
		kg																	11.2			
-1.5 m	kg																	10.8				
	kg																	*13 800	13 490	10.8		
-3.0 m	kg																	10.1				
	kg																	*16 360	14 860	10.1		
-4.5 m	kg																	9.1				
	kg																	*16 820	*16 820	9.1		
-6.0 m	kg																	7.6				
	kg																	*20 870	*20 870	*15 440	*15 440	7.6

Notes: 1. The above loads are in compliance with SAE and ISO Hydraulic Excavator Lift Capacity Standards. 2. They do not exceed 87% of hydraulic lifting capacity or 75% of tipping load. 3. Rated loads marked with an asterisk (*) are limited by hydraulic capacity rather than tipping load.

LIFTING CAPACITY EC750EHR

At the arm end without bucket. For lifting capacity including bucket, simply subtract actual weight of the direct fit bucket or the bucket with quick fit from the following values.

	Lifting Point	3.0 m		4.5 m		6.0 m		7.5 m		9.0 m		10.5 m		12.0 m		Max. Reach			
		Along UC	Across UC	Along UC	Across UC	Along UC	Across UC	Along UC	Across UC	Along UC	Across UC	Along UC	Across UC	Along UC	Across UC	Along UC	Across UC	Max. m	
Boom 8.3 m Arm 4.2 m Shoe 750 mm Hyd. Removal CWT 12 816 kg	13.5 m	kg															*15 970	*15 970	5.7
	12.0 m	kg							*15 380	*15 380							*12 750	*12 750	8.0
	10.5 m	kg							*16 140	*16 140	*14 370	*14 370					*11 300	*11 300	9.5
	9.0 m	kg							*15 990	*15 990	*16 080	*16 080	*11 270	*11 270			*10 510	*10 510	10.6
	7.5 m	kg					*15 840	*15 840	*17 020	*17 020	*17 210	*17 210	*15 370	*15 370			*10 100	*10 100	11.3
	6.0 m	kg					*22 780	*22 780	*20 900	*20 900	*19 590	*19 590	*17 480	15 780			*9 910	*9 910	11.9
	4.5 m	kg					*34 680	*34 680	*27 610	26 800	*23 060	19 780	19 090	15 180	*12 820	11 840	*9 920	*9 920	12.2
	3.0 m	kg					*35 970	35 360	*28 320	24 890	*23 330	18 670	18 420	14 530	14 700	11 550	*10 130	*10 130	12.4
	1.5 m	kg					*34 390	32 940	*28 170	23 360	22 700	17 720	17 820	13 960	14 420	11 280	*10 520	*10 520	12.3
	0 m	kg					*32 990	31 750	*26 940	22 390	22 000	17 060	17 400	13 560	*13 270	11 140	*11 150	11 010	12.1
	-1.5 m	kg			*17 480	*17 480	*29 380	*29 380	*24 500	21 960	*20 170	16 720	*16 210	13 390			*12 090	11 620	11.7
	-3.0 m	kg			*26 020	*26 020	*24 250	*24 250	*20 720	*20 720	*16 970	16 750	*12 670	*12 670			*10 190	*10 190	11.0
-4.5 m	kg							*15 280	*15 280	*11 850	*11 850							10.1	
Boom 7.7 m Arm 4.2 m Shoe 650 mm Hyd. Removal CWT 12 816 kg	10.5 m	kg															*10 950	*10 950	8.3
	9.0 m	kg									*13 390	*13 390					*10 250	*10 250	9.5
	7.5 m	kg									*16 200	*16 200					*9 940	*9 940	10.4
	6.0 m	kg							*20 910	*20 910	*18 780	*18 780	*13 770	*13 770			*9 910	*9 910	11.0
	4.5 m	kg			*40 350	*40 350	*30 130	*30 130	*24 670	*24 670	*21 280	21 140	*16 740	16 010			*10 100	*10 100	11.3
	3.0 m	kg					*33 380	*33 380	*26 500	*26 500	*22 310	19 950	19 230	15 340			*10 510	*10 510	11.5
	1.5 m	kg					*35 490	*35 490	*27 860	25 050	*23 080	18 840	18 540	14 680			*11 180	*11 180	11.5
	0 m	kg			*22 950	*22 950	*36 020	33 560	*28 390	23 690	22 910	17 950	17 970	14 140			*12 220	*12 220	11.2
	-1.5 m	kg	*17 240	*17 240	*30 190	*30 190	*35 020	32 530	*27 890	22 850	22 290	17 370	17 650	13 820			*13 800	13 340	10.8
	-3.0 m	kg	*26 320	*26 320	*40 790	*40 790	*32 490	32 250	*26 120	22 520	*21 100	17 170					*16 360	14 690	10.1
-4.5 m	kg	*37 370	*37 370	*34 750	*34 750	*28 120	*28 120	*22 570	*22 570	*17 090	*17 090					*16 820	*16 820	9.1	
-6.0 m	kg					*20 870	*20 870	*15 440	*15 440									7.6	
Boom 8.3 m Arm 4.2 m Shoe 650 mm Hyd. Removal CWT 12 816 kg	13.5 m	kg							*15 380	*15 380							*15 970	*15 970	5.7
	12.0 m	kg															*12 750	*12 750	8.0
	10.5 m	kg							*16 140	*16 140	*14 370	*14 370					*11 300	*11 300	9.5
	9.0 m	kg							*15 990	*15 990	*16 080	*16 080	*11 270	*11 270			*10 510	*10 510	10.6
	7.5 m	kg					*15 840	*15 840	*17 020	*17 020	*17 210	*17 210	*15 370	*15 370			*10 100	*10 100	11.3
	6.0 m	kg					*22 780	*22 780	*20 900	*20 900	*19 590	*19 590	*17 480	15 620			*9 910	*9 910	11.9
	4.5 m	kg					*34 680	*34 680	*27 610	26 550	*23 060	19 590	18 890	15 020	*12 820	11 700	*9 920	*9 920	12.2
	3.0 m	kg					*35 970	35 010	*28 320	24 640	*23 330	18 480	18 220	14 370	14 530	11 410	*10 130	*10 130	12.4
	1.5 m	kg					*34 390	32 590	*28 170	23 110	22 460	17 530	17 630	13 800	14 250	11 140	*10 520	*10 520	12.3
	0 m	kg					*32 990	31 400	*26 940	22 140	21 750	16 860	17 200	13 400	*13 270	11 000	*11 150	10 870	12.1
	-1.5 m	kg			*17 480	*17 480	*29 380	*29 380	*24 500	21 700	*20 170	16 530	*16 210	13 230			*12 090	11 490	11.7
	-3.0 m	kg			*26 020	*26 020	*24 250	*24 250	*20 720	*20 720	*16 970	16 550	*12 670	*12 670			*10 190	*10 190	11.0
-4.5 m	kg							*15 280	*15 280	*11 850	*11 850							10.1	

Notes: 1. The above loads are in compliance with SAE and ISO Hydraulic Excavator Lift Capacity Standards. 2. They do not exceed 87% of hydraulic lifting capacity or 75% of tipping load. 3. Rated loads marked with an asterisk (*) are limited by hydraulic capacity rather than tipping load.

Specifications

LIFTING CAPACITY EC750EHR

At the arm end without bucket. For lifting capacity including bucket, simply subtract actual weight of the direct fit bucket or the bucket with quick fit from the following values.

	Lifting Point	4.5 m		6.0 m		7.5 m		9.0 m		10.5 m		12.0 m		13.5 m		15.0 m		Max. Reach								
		Along UC	Across UC	Along UC	Across UC	Along UC	Across UC	Along UC	Across UC	Along UC	Across UC	Along UC	Across UC	Along UC	Across UC	Along UC	Across UC	Along UC	Across UC	Max. m						
		Boom (BNT&BNT) 11.0 m Arm 4.2 m Shoe 900 mm Hyd. Removal CWT 16 526 kg	10.5 m	kg																		*9900	*9900	11.8m		
9.0 m	kg											*1180	*1180							*10000	*10000	12.7m				
7.5 m	kg											*12690	*12690	*11510	*11510						*10270	*10270	13.3m			
6.0 m	kg													*11960	*11960	*10960	*10960				*10710	*10710	13.8m			
4.5 m	kg													*12460	*12460	*11260	*11260				*10910	10670	14.1m			
3.0 m	kg													*12940	*12940	*11570	11020				*11070	10070	14.2m			
1.5 m	kg													*13350	12670	*11830	10530				*11290	9710	14.2m			
0 m	kg													*13630	12100	*11990	10120				*11560	9590	14.0m			
-1.5 m	kg													*13720	11690	*11980	9840				*11880	9730	13.6m			
-3.0 m	kg		*16530	*16530	*23770	*23770	*22190	*22190	*18600	17220	*15780	13830	*13560	11460							*12230	10180	13.1m			
-4.5 m	kg		*24230	*24230	*24910	*24910	*21180	*21180	*17920	17230	*15260	13780	*13030	11440							*12610	11060	12.3m			
-6.0 m	kg		*26440	*26440	*23050	*23050	*19700	*19700	*16760	*16760	*14230	13980									*12970	12640	11.3m			
-7.5 m	kg	*23290	*23290	*20350	*20350	*17500	*17500	*14870	*14870											*13200	*13200	10.0m				
-9.0 m	kg																				*12950	*12950	8.2m			
Boom (BNT&STR) 12.1 m Arm 4.2 m Shoe 900 mm Hyd. Removal CWT 16 526 kg	13.5 m	kg																		*10710	*10710	11.5m				
	12.0 m	kg											*11730	*11730							*10240	*10240	12.7m			
	10.5 m	kg											*13020	*13020	*11780	*11780	*10900	*10900			*9990	*9990	13.7m			
	9.0 m	kg											*15430	*15430	*13440	*13440	*12000	*10940	*10940		*9890	*9890	14.5m			
	7.5 m	kg											*13960	*13960	*12310	*12310	*11090	*11090	*10190	9350	*9940	9240	15.1m			
	6.0 m	kg											*17210	*17210	*14530	*14530	*12660	*11290	11150	*10250	9100	*9960	8480	15.5m		
	4.5 m	kg											*17990	*17990	*15040	*15040	*12990	12820	*11490	10600	*10320	8770	*9830	7940	15.7m	
	3.0 m	kg											*18430	17630	*15400	14540	*13240	12070	*11640	10080	*10370	8430	*9720	7590	15.9m	
	1.5 m	kg											*18440	16710	*15550	13740	*13360	11450	*11690	9630	*10330	8130	*9630	7410	15.8m	
	0 m	kg											*18080	16250	*15440	13200	*13310	11000	*11610	9290	*10170	7910	*9550	7400	15.7m	
	-1.5 m	kg											*17430	16080	*15060	12910	*13040	10720	*11340	9070	*9800	7790	*9430	7560	15.3m	
	-3.0 m	kg											*18260	*18260	*16510	16110	*14410	12820	*12510	10610	*10820	8990	*9270	7930	14.8m	
-4.5 m	kg											*16710	*16710	*16850	*16850	*15280	*15280	*13430	12920	*11660	10670	*9920	9090	*9000	8560	14.2m
-6.0 m	kg											*15200	*15200	*14970	*14970	*13650	*13650	*12040	*12040	*10340	*10340	*8540	*8540	13.3m		
-7.5 m	kg											*12490	*12490	*11470	*11470	*10030	*10030	*8140	*8140			*7750	*7750	12.2m		
Boom (STR&BNT) 11.9 m Arm 4.2 m Shoe 900 mm Hyd. Removal CWT 16 526 kg	15.0 m	kg																			*11070	*11070	8.9m			
	13.5 m	kg											*11280	*11280								*10360	*10360	10.7m		
	12.0 m	kg											*16970	*16970	*15240	*15240	*10300	*10300				*10020	*10020	12.0m		
	10.5 m	kg											*17910	*17910	*15580	*15580	*13800	*13800				*9900	*9900	13.1m		
	9.0 m	kg											*27580	*27580	*21980	*21980	*18360	*18360	*15810	*15810	*13890	*12380	12100	*9940	*9940	13.9m
	7.5 m	kg											*22940	*22940	*18870	*18870	*16080	*16080	*14010	*14010	*12390	11720		*10110	10090	14.5m
	6.0 m	kg											*23690	*23690	*19300	*19300	*16310	*16310	*14110	13780	*12390	11220		*10410	9190	14.9m
	4.5 m	kg											*19460	*19460	*16400	15820	*14130	12950	*12340	10670	*10800	8780	*10600	8560	15.2m	
	3.0 m	kg											*19180	17940	*16270	14730	*14000	12190	*12170	10150	*10570	8460	*10230	8140	15.3m	
	1.5 m	kg											*18430	16940	*15860	13890	*13680	11560	*11850	9690	*10190	8170	*9860	7910	15.3m	
	0 m	kg											*17290	16400	*15140	13320	*13120	11090	*11330	9340	*9590	7950	*9460	7860	15.1m	
	-1.5 m	kg											*16190	*16190	*15850	*15850	*14100	13000	*12270	10790	*10530	9120		*8980	8020	14.8m
-3.0 m	kg											*14370	*14370	*14100	*14100	*12710	*12710	*11090	10670	*9370	9060		*8360	*8360	14.3m	
-4.5 m	kg											*12050	*12050	*11980	*11980	*10910	*10910	*9460	*9460	*7630	*7630		*7510	*7510	13.6m	
-6.0 m	kg											*9380	*9380	*8590	*8590	*7190	*7190					*6290	*6290	12.7m		

Notes: 1. The above loads are in compliance with SAE and ISO Hydraulic Excavator Lift Capacity Standards. 2. They do not exceed 87% of hydraulic lifting capacity or 75% of tipping load. 3. Rated loads marked with an asterisk (*) are limited by hydraulic capacity rather than tipping load.

LIFTING CAPACITY EC750EHR

At the arm end without bucket. For lifting capacity including bucket, simply subtract actual weight of the direct fit bucket or the bucket with quick fit from the following values.

	Lifting Point	4.5 m		6.0 m		7.5 m		9.0 m		10.5 m		12.0 m		13.5 m		15.0 m		16.5 m		Max. Reach																						
		Along UC	Across UC	Along UC	Across UC	Along UC	Across UC	Along UC	Across UC	Along UC	Across UC	Along UC	Across UC	Along UC	Across UC	Along UC	Across UC	Along UC	Across UC	Along UC	Across UC	Max. m																				
																								Along UC	Across UC	Along UC	Across UC	Along UC	Across UC	Along UC	Across UC	Along UC	Across UC	Along UC	Across UC	Along UC	Across UC	Along UC	Across UC	Along UC	Across UC	Along UC
Boom (STR&STR) 12.7 m Arm 4.2 m Shoe 900 mm Hyd. Removal CWT 16 526 kg	18.0 m	kg																				*16600	*16600	61m																		
	16.5 m	kg																					*13320	*13320	9.0m																	
	15.0 m	kg																					*11830	*11830	11.0m																	
	13.5 m	kg																					*10970	*10970	12.5m																	
	12.0 m	kg																					*10440	*10440	13.7m																	
	10.5 m	kg																					*10110	9 610	14.6m																	
	9.0 m	kg																					*9950	8 490	15.3m																	
	7.5 m	kg																					*9900	7 690	15.9m																	
	6.0 m	kg																					*9260	7 120	16.3m																	
	4.5 m	kg																					*8640	6 740	16.5m																	
	3.0 m	kg																					*8010	6 500	16.6m																	
	1.5 m	kg																					*7330	6 410	16.6m																	
	0 m	kg																					*6580	6 460	16.4m																	
	-1.5 m	kg																					*5690	5 690	16.1m																	
-3.0 m	kg																					*4620	*4620	15.7m																		
-4.5 m	kg																					*3280	*3280	15.1m																		
Boom (BNT&BNT) 11.0 m Arm 4.2 m Shoe 750 mm Hyd. Removal CWT 16 526 kg	10.5 m	kg																				*9900	*9900	11.8m																		
	9.0 m	kg																					*10000	*10000	12.7m																	
	7.5 m	kg																					*10270	*10270	13.3m																	
	6.0 m	kg																					*10710	*10710	13.8m																	
	4.5 m	kg																					*10910	10 500	14.1m																	
	3.0 m	kg																					*11070	9 900	14.2m																	
	1.5 m	kg																					*11290	9 540	14.2m																	
	0 m	kg																					*11560	9 420	14.0m																	
	-1.5 m	kg																					*11880	9 550	13.6m																	
	-3.0 m	kg																					*12230	9 990	13.1m																	
	-4.5 m	kg																					*12610	10 860	12.3m																	
	-6.0 m	kg																					*12970	12 420	11.3m																	
	-7.5 m	kg																					*13200	*13200	10.0m																	
	-9.0 m	kg																					*12950	*12950	8.2m																	
Boom (BNT&STR) 12.1 m Arm 4.2 m Shoe 750 mm Hyd. Removal CWT 16 526 kg	13.5 m	kg																				*10710	*10710	11.5m																		
	12.0 m	kg																					*10240	*10240	12.7m																	
	10.5 m	kg																					*9990	*9990	13.7m																	
	9.0 m	kg																					*9890	*9890	14.5m																	
	7.5 m	kg																					*9940	9 240	15.1m																	
	6.0 m	kg																					*9960	8 480	15.5m																	
	4.5 m	kg																					*9830	7 940	15.7m																	
	3.0 m	kg																					*9720	7 590	15.9m																	
	1.5 m	kg																					*9630	7 410	15.8m																	
	0 m	kg																					*9550	7 400	15.7m																	
	-1.5 m	kg																					*9430	7 560	15.3m																	
	-3.0 m	kg																					*9270	7 930	14.8m																	
	-4.5 m	kg																					*9000	8 560	14.2m																	
	-6.0 m	kg																					*8540	*8540	13.3m																	
-7.5 m	kg																					*7750	*7750	12.2m																		

Notes: 1. The above loads are in compliance with SAE and ISO Hydraulic Excavator Lift Capacity Standards. 2. They do not exceed 87% of hydraulic lifting capacity or 75% of tipping load. 3. Rated loads marked with an asterisk (*) are limited by hydraulic capacity rather than tipping load.

Specifications

LIFTING CAPACITY EC750EHR

At the arm end without bucket. For lifting capacity including bucket, simply subtract actual weight of the direct fit bucket or the bucket with quick fit from the following values.

	Lifting Point	4.5 m		6.0 m		7.5 m		9.0 m		10.5 m		12.0 m		13.5 m		15.0 m		16.5 m		Max. Reach																						
		Along UC	Across UC	Along UC	Across UC	Along UC	Across UC	Along UC	Across UC	Along UC	Across UC	Along UC	Across UC	Along UC	Across UC	Along UC	Across UC	Along UC	Across UC	Along UC	Across UC	Max. m																				
																								Along UC	Across UC	Along UC	Across UC	Along UC	Across UC	Along UC	Across UC	Along UC	Across UC	Along UC	Across UC	Along UC	Across UC	Along UC	Across UC	Along UC	Across UC	Along UC
Boom (STR&BNT) 11.9 m Arm 4.2 m Shoe 750 mm Hyd. Removal CWT 16 526 kg	15.0 m	kg																				*11070	*11070	8.9m																		
	13.5 m	kg										*11280	*11280										*10360	*10360	10.7m																	
	12.0 m	kg																					*10020	*10020	12.0m																	
	10.5 m	kg																						*9900	*9900	13.1m																
	9.0 m	kg																						*9940	*9940	13.9m																
	7.5 m	kg																						*10110	9930	14.5m																
	6.0 m	kg																							*10410	9040	14.9m															
	4.5 m	kg																							*10600	8400	15.2m															
	3.0 m	kg																							*10230	7990	15.3m															
	1.5 m	kg																							*9860	7760	15.3m															
	0 m	kg																							*9460	7710	15.3m															
	-1.5 m	kg																							*8980	7860	14.8m															
	-3.0 m	kg																							*8360	8250	14.3m															
	-4.5 m	kg																							*7510	*7510	13.6m															
	-6.0 m	kg																							*6290	*6290	12.7m															
Boom (STR&STR) 12.7 m Arm 4.2 m Shoe 750 mm Hyd. Removal CWT 16 526 kg	18.0 m	kg																						*16600	*16600	6.1m																
	16.5 m	kg																							*13320	*13320	9.0m															
	15.0 m	kg																							*11830	*11830	11.0m															
	13.5 m	kg																							*10970	*10970	12.5m															
	12.0 m	kg																							*10440	*10440	13.7m															
	10.5 m	kg																							*10110	9610	14.6m															
	9.0 m	kg																							*9950	8490	15.3m															
	7.5 m	kg																							*9900	7690	15.9m															
	6.0 m	kg																							*9260	7120	16.3m															
	4.5 m	kg																							*8640	6740	16.5m															
	3.0 m	kg																							*8010	6500	16.6m															
	1.5 m	kg																							*6580	6410	16.6m															
	0 m	kg																							*5830	6460	16.4m															
	-1.5 m	kg																							*5690	*5690	16.1m															
	-3.0 m	kg																							*4620	*4620	15.7m															
-4.5 m	kg																							*3280	*3280	15.1m																
Boom (BNT&BNT) 11.0 m Arm 4.2 m Shoe 650 mm Hyd. Removal CWT 16 526 kg	10.5 m	kg																							*9900	*9900	11.8m															
	9.0 m	kg																							*10000	*10000	12.7m															
	7.5 m	kg																							*10270	*10270	13.3m															
	6.0 m	kg																							*10710	*10710	13.8m															
	4.5 m	kg																							*10910	10390	14.1m															
	3.0 m	kg																							*11070	9790	14.2m															
	1.5 m	kg																							*11290	9430	14.2m															
	0 m	kg																							*11560	9310	14.0m															
	-1.5 m	kg																							*11880	9440	13.6m															
	-3.0 m	kg																							*12230	9870	13.1m															
	-4.5 m	kg																							*12610	10730	12.3m															
	-6.0 m	kg																							*12970	12270	11.3m															
	-7.5 m	kg																							*13200	*13200	10.0m															
	-9.0 m	kg																							*12950	*12950	8.2m															

Notes: 1. The above loads are in compliance with SAE and ISO Hydraulic Excavator Lift Capacity Standards. 2. They do not exceed 87% of hydraulic lifting capacity or 75% of tipping load. 3. Rated loads marked with an asterisk (*) are limited by hydraulic capacity rather than tipping load.

LIFTING CAPACITY EC750EHR

At the arm end without bucket. For lifting capacity including bucket, simply subtract actual weight of the direct fit bucket or the bucket with quick fit from the following values.

	Lifting Point	6.0 m		7.5 m		9.0 m		10.5 m		12.0 m		13.5 m		15.0 m		16.5 m		Max. Reach						
		Along UC	Across UC	Along UC	Across UC	Along UC	Across UC	Along UC	Across UC	Along UC	Across UC	Along UC	Across UC	Along UC	Across UC	Along UC	Across UC	Along UC	Across UC	Max. m				
Boom (BNT&STR) 12.1 m Arm 4.2 m Shoe 650 mm Hyd. Removal CWT 16 526 kg	13.5 m	kg																			*10 710	*10 710	11.5 m	
	12.0 m	kg								*11 730	*11 730											*10 240	*10 240	12.7 m
	10.5 m	kg							*13 020	*13 020	*11 780	*11 780	*10 900	*10 900								*9 990	*9 990	13.7 m
	9.0 m	kg																						
	7.5 m	kg																						
	6.0 m	kg																						
	4.5 m	kg																						
	3.0 m	kg																						
	1.5 m	kg																						
	0 m	kg																						
	-1.5 m	kg																						
	-3.0 m	kg																						
	-4.5 m	kg																						
	-6.0 m	kg																						
-7.5 m	kg																							
Boom (STR&BNT) 11.9 m Arm 4.2 m Shoe 650 mm Hyd. Removal CWT 16 526 kg	15.0 m	kg																						
	13.5 m	kg																						
	12.0 m	kg																						
	10.5 m	kg																						
	9.0 m	kg																						
	7.5 m	kg																						
	6.0 m	kg																						
	4.5 m	kg																						
	3.0 m	kg																						
	1.5 m	kg																						
	0 m	kg																						
	-1.5 m	kg																						
	-3.0 m	kg																						
	-4.5 m	kg																						
-6.0 m	kg																							
Boom (STR&STR) 12.7 m Arm 4.2 m Shoe 650 mm Hyd. Removal CWT 16 526 kg	18.0 m	kg																						
	16.5 m	kg																						
	15.0 m	kg																						
	13.5 m	kg																						
	12.0 m	kg																						
	10.5 m	kg																						
	9.0 m	kg																						
	7.5 m	kg																						
	6.0 m	kg																						
	4.5 m	kg																						
	3.0 m	kg																						
	1.5 m	kg																						
	0 m	kg																						
	-1.5 m	kg																						
-3.0 m	kg																							
-4.5 m	kg																							

Notes: 1. The above loads are in compliance with SAE and ISO Hydraulic Excavator Lift Capacity Standards. 2. They do not exceed 87% of hydraulic lifting capacity or 75% of tipping load. 3. Rated loads marked with an asterisk (*) are limited by hydraulic capacity rather than tipping load.

Equipment

STANDARD EQUIPMENT

Engine

Turbocharged, 4 stroke diesel engine with water cooling, direct injection and charged air cooler that meets EU Stage V requirements.

Air intake heater

Fuel filter and water separator

Fuel filler pump: 50 l/min, with automatic shut-off

Alternator, 80 A

Precleaner, Cyclone

Electric/Electronic control system

Contronics

Advanced mode control system

Self-diagnostic system

Machine status indication

Engine speed sensing power control

Automatic idling system

One-touch power boost

Safety stop/start function

Adjustable two LCD color monitors

Master electrical disconnect switch

Engine restart prevention circuit

High-capacity halogen lights(Optional selection to LED):

Frame-mounted 2

Boom-mounted 4

Batteries, 2 x 12 V / 200 Ah

Start motor, 24 V / 7 kW

CareTrack

Engine emergency stop switch

Overload Warning (TMI & Slew limitation)

Front camera for demolition

Rear view camera on counterweight

Cleaning air gun

Dust suppression system

Hydraulic system

Hose rupture valve for UHR:

boom cylinder and arm

Hydraulic piping:

Hammer & shear:

Two pump flow

Slope & rotator

Oil leak (drain) line

Quick fit piping

Additional return filter

Overload warning device

Automatic sensing hydraulic system

Summation system

Boom priority

Arm priority

Swing priority

Boom and arm regeneration valves

Slew anti-rebound valves

Boom and arm holding valves

Multi-stage filtering system

Cylinder cushioning

Cylinder contamination seals

Auxiliary hydraulic valve

Automatic two-speed travel motors

Hydraulic oil, ISO VG 46

STANDARD EQUIPMENT

Superstructure

Full height counterweight: 11 200 kg

Additional counterweight for high reach: 4 186 kg (EC750EHR hyd removable CWT)

HD undercover plate (8 mm)

HD double thickness side doors with micro mesh

Access way with handrail

Punched metal anti-slip plates

Tool storage area

Undercarriage

Hydraulically retractable undercarriage

Swing ring guard

HD Undercover plate (10 mm)

Hydraulic track adjusters

Greased and sealed track link

Standard track guards

Foot support bar

Tilting cab, and interior

Tilting cab

Seat, mech. susp w/ heater, w/o X-Isolator

Control Joystick with 3 switch & 1 prop. control

Air-conditioner climate control

Silicon oil and rubber mounts with spring

Adjustable operator seat and joystick control console

AM/FM stereo with CD Player and MP3 input with bluetooth

Flexible antenna

Hydraulic safety lock lever

Cab, all-weather sound suppressed, includes:

Cup holder

Door locks

Tinted glass

Floor mat

Horn

Large storage area

Seat belt, 3 inch retractable

Safety glass(front and side)

LEXAN glass(roof)

Sun shields, front, roof, rear

Windshield wipers with intermittent feature(front and roof)

Master key

Frame mounted Falling object guard (FOG)

OPTIONAL EQUIPMENT

Engine

Block heater: 120 V, 240 V

Oil bath pre-cleaner

Diesel coolant heater ,10kW

Water separator with heater

Electric

Extra lights(halogen or LED):

Cab mounted x2 (front) x1 (rear)

Counterweight mounted x1

Travel alarm

Anti-theft system

Rotating warning beacon

Side view camera

Hydraulic system

Hose rupture valve for digging boom : Arm

Hydraulic piping:

Work tool management system (Up to 20 programmable memories)

Grapple for digging boom

Quick fit piping for digging boom

Straight travel pedal

Hydraulic oil, ISO VG 32, 68

Hydraulic oil, biodegradable 46

Hydraulic oil, longlife oil 32, 46, 68

Boom cylinder guard

Bucket cylinder guard

Superstructure

Side Impact Protection System

Side walk-way for tilting cab

OPTIONAL EQUIPMENT

Cab and interior

Luxury seat with wider armrest and ventilation

Seat, Air susp w/ heater, w/ X-Isolator

Pilot control pattern change

Smoker kit (ashtray & lighter)

Hepa filter

Specific key

Undercarriage

Hydraulically retractable undercarriage

Full track guards

Track shoes

650/750/900 mm double grouser shoes

Digging equipment

Digging boom Straight 8.3 m / Bent 7.7 m

Arm: 4.2 m

Boom extension 4.0 m

Manual centralized lubrication

High reach

Boom HR-3 piece: 26 m

Boom HR-3 piece: 36 m

Service

Spare parts

Tool kit, full scale

Tool kit, daily maintenance

VOLVO

Volvo Construction Equipment

volvo.com