



EC210D

Volvo Excavators 21.3-23.7 t 167 hp (metric)



The power to perform

Get the most out of your excavator in any application. The EC210D is equipped with a range of features to ensure a superior performance, shift after shift. Designed with Volvo's extensive experience and expertise, this robust machine delivers ultimate productivity and efficient operation in a wide variety of tasks.

Powerful Volvo engine

Experience optimum power with the EC210D's robust Volvo engine. Working together with the machine's proven hydraulics, this engine delivers high torque at low rpm for the ultimate combination of performance and improved fuel efficiency.



Enhanced operator performance

Operate in comfort for a more productive work shift. The EC210D is equipped with a spacious and safe operator environment offering enhanced all-around visibility, an adjustable seat and ergonomic controls. The improved cab interior features a new I-ECU monitor that displays a range of information for efficient operation.



Excellent controllability

The EC210D features increased hydraulic flow for responsive, accurate control in grading and combined operations. Benefit from smoother and easier movement when traveling and lifting simultaneously as well as better grading quality from the harmonized boom and arm movement.



Efficient work mode

For fast cycle times and optimum fuel consumption, the EC210D is equipped with the new G4 work mode. Operators can choose the best mode to suit the task at hand, selecting from I (Idle), F (Fine), G (General), H (Heavy) and P (Power max) mode. Choose the correct mode according to your working conditions for added versatility and increased productivity.





GET MORE DONE

The EC210D is built to help you do more. This excavator delivers a strong, versatile performance in a wide range of applications. A robust frame combines with optimal engine power and hydraulic pressure to provide superior digging forces and fast cycle times for excellent productivity in all operations.



OUTSTANDING FUEL EFFICIENCY

Reduce fuel consumption and increase productivity with the EC210D. The powerful engine works in harmony with the optimized hydraulic system in combination with auto-idle function to deliver outstanding fuel efficiency.

Efficiency that lasts

The Volvo EC210D is a versatile machine that ensures optimum profitability. This excavator is designed to lower fuel consumption and reduce operating costs, featuring best-in-class fuel efficiency and Volvo's intelligent ECO mode. Excellent service access and a durable design guarantee a long machine life and allow you to get the most out of your machine.

ECO mode

Work efficiently and profitably with Volvo's intelligent ECO mode. This feature contributes to the machine's total improved fuel efficiency – without any loss of performance. The design optimizes flow and pressure while maintaining digging power and swing torque.

Easy to service

The EC210D is built to ensure servicing is safe, quick and easy, featuring anti-slip plates, grouped filters, ground-level service access and centralized lubrication points. Long service intervals enhance machine availability and increase uptime for maximum productivity.



Superior durability

Benefit from a robust performance, shift after shift. Built with durable components for outstanding results in all applications, the EC210D is designed to secure lasting machine value and an excellent return on investment.



Volvo versatility

Make sure you are ready to tackle any job. Volvo CE offers a comprehensive range of attachments that let you handle a wide variety of tasks. The EC210D can be fitted with a selection of buckets and breakers that work in harmony with the machine to ensure optimal performance and profitability in any application.

Quality Volvo buckets

Volvo offers a range of high quality buckets designed to perform efficiently in a variety of materials. Featuring exceptional design and built-in durability, these buckets are equipped with Volvo teeth to handle the toughest applications.



Powerful breakers

The EC210D can be equipped with either a top or side mounted Volvo hydraulic breaker built to break even most demanding materials. With consistent power and high breaking force you'll benefit from maximum impact and durability. Set your Volvo breaker at the right frequency to suit your application needs.



Attachment Management System

Pre-set and adjust hydraulic flow from the monitor inside the cab with this password-protected management system, providing storage for up to 20 different attachments for increased versatility. You can choose between one or two pump flow to maximize profits and productivity.



Optional auxiliary piping

The Volvo-designed hydraulic breaker / shear piping and quick coupler piping option provides optimum flow to the hydraulic attachments. State-of-the-art auxiliary lines allow the correct flow and pressure for special attachments.





A VERSATILE MACHINE

Access more applications and efficiently perform a variety of tasks with Volvo's extensive attachment range. The EC210D is compatible with a selection of robust buckets, breakers and piping options that allow you to adapt to any job with ease. All attachment options ensure a quality performance, high productivity and fast cycle times.



CUSTOMER SUPPORT AGREEMENTS

The range of Customer Support Agreements offer preventive maintenance, total repairs and a number of uptime services. Volvo uses the latest technology to monitor machine operation and status, giving you advice to increase your profitability. By having a Customer Support Agreement you are in control of your service costs.

Adding value to your business

Being a Volvo customer means having a complete set of services at your fingertips. Volvo can offer you a long-term partnership, protect your revenue and provide a full range of customer solutions using high quality parts, delivered by passionate people. Volvo is committed to a positive return on your investment.

Complete Solutions

Volvo has the right solution for you. So why not let us provide all your needs throughout the whole life cycle of your machine? By listening to your requirements, we can reduce your total cost of ownership and increase your revenue.



Genuine Volvo Parts

Our attention to detail is what makes us stand out. This proven concept acts as a solid investment in your machine's future. Parts are extensively tested and approved because every part is vital for uptime and performance. Only by using Genuine Volvo Parts, can you be sure that your machine retains the renowned Volvo quality.



Service Network

In order to respond to your needs faster, a Volvo expert is on their way to your job site from one of our Volvo facilities. With our extensive infrastructure of technicians, workshops and dealers, Volvo has a comprehensive network to fully support you using local knowledge and global experience.



CareTrack

CareTrack is the state-of-the-art Volvo telematics system that provides access to a wide range of machine monitoring information designed to save time and money. Proactively manage service and maintenance schedules, optimize machine and operator performance and reduce fuel costs with CareTrack.



A profitable performance

ECO mode

Volvo's intelligent ECO mode increases fuel efficiency without any loss of performance.

GET MORE DONE

A robust frame, powerful engine and optimum hydraulic pressure provide superior digging forces and fast cycle times.

Optional auxiliary piping

The EC210D can be adjusted to take a variety of hydraulic lines, fitted with breaker and shear piping (X1).

Excellent controllability

Increased hydraulic flow ensures responsive, accurate control in grading and combined operations.

A VERSATILE MACHINE

The EC210D is compatible with a range of robust buckets, breakers and piping options so you can adapt to any job.

Efficient work mode

For fast cycle times and optimum fuel consumption, the EC210D is equipped with the new G4 work mode.



Superior durability

Built with durable components for outstanding results in all applications, the EC210D secures lasting machine value.

Enhanced operator performance

A spacious, comfortable operator environment offers enhanced all-around visibility and a new I-ECU monitor.

OUTSTANDING FUEL EFFICIENCY

The powerful engine works in harmony with optimized hydraulics and auto-idle function for outstanding fuel efficiency.

Powerful Volvo engine

A robust Volvo engine delivers high torque at low rpm for the ultimate combination of performance and fuel efficiency.



CUSTOMER SUPPORT AGREEMENTS

Customer Support Agreements offer preventive maintenance, total repairs and a number of uptime services.

Easy to service

Ground-level service access, centralized lubrication points and anti-slip plates make services quick and easy.

Volvo EC210D in detail

Engine

The engine, which provides excellent performance, is equipped with four cylinder, vertical, electronic-controlled high pressure fuel injectors, turbo charger with waste gate, air-to-air intercooler and water cooled diesel type.

Engine	Volvo	D5E
Max power at	r/min	2 000
	kW	115
Net, ISO 9249/SAE J1349	hp (metric)	156
	hp (imperial)	154
	kW	123
Gross, ISO 14396/SAE J1995	hp (metric)	167
	hp (imperial)	165
	kW	123
Max torque	Nm	670
at engine speed	r/min	1 600
No. of cylinders		4
Displacement	l	4.7
Bore	mm	108
Stroke	mm	130

Electrical System

Well protected high-capacity electrical system. Waterproof double-lock connectors are used to ensure corrosion-free connection. Main relays and fuses are located in a shielded electrical distribution box. The master switch is standard. Advanced monitoring of machine functions and important diagnostic information is displayed on the I-ECU.

Voltage	V	24
Batteries	V	2 x 12
Battery capacity	Ah	120
Alternator	V/A	28/80
Start motor	V - kW	24-5.5

Swing system

The swing system uses an axial piston motors, driving a planetary gearbox for maximum torque. An automatic holding brake and anti-rebound valve are standard.

Max. slew speed	r/min	12.3
Max. slew torque	kNm	76.7

Travel System

Each track is powered by an automatic two-speed shift travel motor. The track brakes are multi-disc, spring-applied and hydraulic released. The travel motor, brake and planetary gears are well protected within the track frame.

Max. drawbar pull	kN	183
Max. travel speed (low)	km/h	3.6
Max. travel speed (high)	km/h	5.8
Gradeability	°	35

Undercarriage

The idlers, track links, upper and bottom rollers are built to withstand all elements and terrain.

EC210DL

Track shoe		2 x 49
Link pitch	mm	190
Shoe width, triple grouser	mm	600 / 700 / 800
Shoe width, triple grouser (HD)	mm	600
Shoe width, double grouser	mm	700
Bottom rollers		2 x 8
Top rollers		2 x 2

EC210DLR

Track shoe		2 x 49
Link pitch	mm	190
Shoe width, triple grouser	mm	800 / 900
Bottom rollers		2 x 8
Top rollers		2 x 2

Hydraulic system

The hydraulic system and MCV (main control valve) use intelligent technology to control on-demand flow for high productivity, high-digging capacity and excellent fuel economy. The summation system, boom, arm and swing priority along with boom and arm regeneration provides optimum performance. The following important functions are included in the system:

Summation system: Combines the flow of both hydraulic pumps to ensure quick cycle times and high productivity
 Boom priority: Gives priority to the boom operation for faster raising when loading or performing deep excavations.
 Arm priority: Gives priority to the arm operation for faster cycle times in leveling and for increased bucket filling when digging.
 Swing priority: Gives priority to swing functions for faster simultaneous operations.
 Regeneration system: Prevents cavitation and provides flow to other movements during simultaneous operations for maximum productivity.
 Power boost: All digging and lifting forces are increased.
 Holding valves: Boom and arm holding valves prevent the digging equipment from creeping.

2 x Variable displacement axial piston pumps

Maximum flow	l/min	2 x 212
--------------	-------	---------

Gear pump

Maximum flow	l/min	1 x 18
--------------	-------	--------

Relief value setting pressure

Implement	MPa	32.4/34.3
Travel circuit	MPa	34.3
Slew circuit	MPa	27.9
Pilot circuit	MPa	3.9

Hydraulic Cylinders

Mono boom		2
Bore x Stroke	ø x mm	125 x 1 235
Arm		1
Bore x Stroke	ø x mm	135 x 1 540
Bucket		1
Bore x Stroke	ø x mm	120 x 1 065
Bucket for LR boom		1
Bore x Stroke	ø x mm	100 x 865

Service Refill

Fuel tank	l	375
Hydraulic system, total	l	300
Hydraulic tank	l	160
Engine oil	l	17
Engine coolant	l	15
Slew reduction unit	l	8.6
Travel reduction unit	l	2 x 5.8

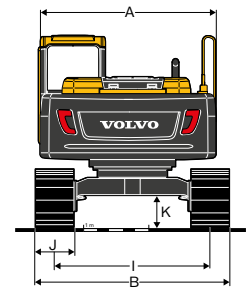
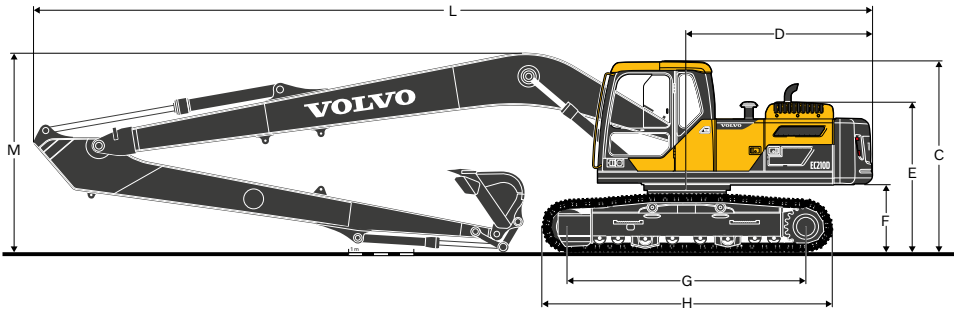
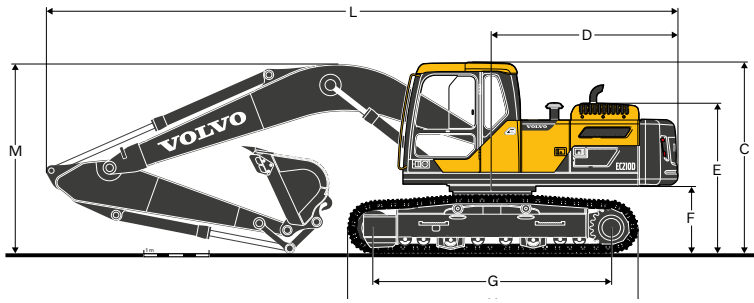
Cab

The Volvo cab features a brand new Volvo styling including a strong cab structure, slim pillars and a large glass area for good visibility, a spacious cab, an ergonomic switch layout, efficient air ventilation and a pressurized cab.

Sound Level

Sound level in cab according to ISO 6396		
LpA (standard)	dB(A)	73
LpA (tropical)	dB(A)	73.5
External sound level according to ISO 6395, GB16710-2010		
LwA (standard)	dB(A)	102.5
LwA (tropical)	dB(A)	103.5

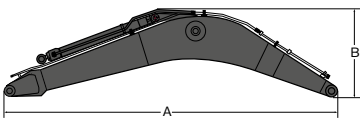
Specifications



DIMENSIONS

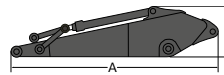
Description	Unit	EC210DL		EC210DLR
Boom	m	5.7		8.85
Arm	m	2.5	2.9	6.25
A Overall width of upper structure	mm	2 700	2 700	2 700
B Overall width	mm	2 990	2 990	3 190
C Overall height of cab	mm	2 930	2 930	2 930
D Tail swing radius	mm	2 950	2 950	2 950
E Overall height of engine hood	mm	2 315	2 315	2 315
F Counterweight clearance *	mm	1 025	1 025	1 025
G Tumbler length	mm	3 660	3 660	3 660
H Track length	mm	4 460	4 460	4 460
I Track gauge	mm	2 390	2 390	2 390
J Shoe width	mm	600	600	800
K Min. ground clearance *	mm	460	460	460
L Overall length	mm	9 745	9 690	12 880
M Overall height of boom	mm	3 080	2 940	3 055

* Without shoe grouser



Description	Unit	Mono Boom	Long Reach
Boom	m	5.7	8.85
A Length	mm	5 910	9 060
B Height	mm	1 585	1 460
Width	mm	670	670
Weight	kg	2 110	2 510

Includes cylinder, piping and pin, excludes boom cylinder pin



Description	Unit	Long Reach	
Arm	m	2.5	2.9
A Length	mm	3 525	3 910
B Height	mm	860	860
Width	mm	440	440
Weight	kg	1 129	1 130

Includes cylinder, linkage and pin

Specifications

MACHINE WEIGHTS AND GROUND PRESSURE

Description	Shoe width	Operating weight	Ground pressure	Overall width	Operating weight	Ground pressure	Overall width
Units	mm	kg	kPa	mm	kg	kPa	mm
				EC210DL, 5.7m boom, 2.5m arm, 0.92m³ / 985kg bucket, 4 200kg counterweight			
Triple grouser	600	21 848	45.3	2 990	21 943	45.5	2 800
	700	22 018	39.1	3 090	22 113	39.3	2 900
	800	22 308	34.7	3 190	22 403	34.8	3 000
Triple grouser, HD	600	22 878	47.4	2 990	22 973	47.6	2 800
Double grouser	700	22 588	40.1	3 090	22 683	40.3	2 900
				EC210DLR, 8.85m boom, 6.25m arm, 0.52m³ / 460kg bucket, 4 900kg counterweight			
Triple grouser	800	23 454	36.5	3 190			
	900	23 734	32.8	3 290			

BUCKET SELECTION GUIDE

Bucket type	Capacity	Cutting width	Weight	Teeth	Recommended maximum material density (kg/m ³)								
					EC210D with 3 700 kg couterweight		EC210D with 4 200 kg couterweight		EC210DL with 3 700 kg couterweight		EC210DL with 4 200 kg couterweight		
					5.7m HD Boom		5.7m HD Boom		5.7m HD Boom		5.7m HD Boom		
					L	mm	kg	EA	2.5m Arm	2.9m Arm	2.5m Arm	2.9m Arm	2.5m Arm
V1	GP	500	630	550	3	1 800	1 800	1 800	1 800	1 800	1 800	1 800	1 800
		950	1 080	729	4	1 800	1 800	1 800	1 800	1 800	1 800	1 800	1 800
		1 100	1 210	785	4	1 800	1 600	1 800	1 800	1 800	1 800	1 800	1 800
		1 250	1 340	841	5	1 200	1 000	1 400	1 200	1 500	1 200	1 500	1 200
	HD	1 400	1 470	898	6	1 100	900	1 200	1 100	1 200	1 100	1 200	1 200
		900	1 065	942	5	1 800	1 700	1 800	1 800	1 800	1 800	1 800	1 800
		1 100	1 210	968	4	1 600	1 400	1 800	1 600	1 800	1 700	1 800	1 800
	GP	1 250	1 340	1 035	5	1 400	1 200	1 500	1 200	1 500	1 200	1 500	1 200
		920	1 145	870	5	1 800	1 800	1 800	1 800	1 800	1 800	1 800	1 800
		1 000	1 210	895	6	1 800	1 600	1 800	1 800	1 800	1 800	1 800	1 800
		1 100	1 320	936	5	1 600	1 400	1 800	1 600	1 800	1 700	1 800	1 800
	HD	1 220	1 505	895	6	1 500	1 300	1 500	1 500	1 500	1 500	1 500	1 500
		850	1 000	934	4	1 800	1 800	1 800	1 800	1 800	1 800	1 800	1 800
		920	1 240	985	5	1 800	1 700	1 800	1 800	1 800	1 800	1 800	1 800
		1 000	1 305	978	5	1 800	1 500	1 800	1 800	1 800	1 800	1 800	1 800

Please consult with your Volvo dealer for the proper match of buckets and attachments to suit the application. (In case of using bigger bucket than regional standard MRS, consultation with R&D is highly recommended.)

The recommendations are given as a guide only, based on typical operation conditions.

Bucket capacity based on ISO 7451, heaped material with a 1:1 angle of repose.

Maximum load: Payload, bucket and additional tools such as quick coupler, rotator, ...

X: Not recommended

VA Boom: Variable angle boom or two-piece boom

Maximum material density

1 200 ~ 1 300kg/cm ³	Coal, Caliche, Shale, River sand
1 400 ~ 1 600kg/cm ³	Wet earth and clay, Limestone, Sandstone, Soil
1 700 ~ 1 800kg/cm ³	Wet sand, well-blasted rock
1 900 ~ 2 100kg/cm ³	Wet mud, Iron ore, Blue metal quarry
2 100 kg/cm ³ ~	Granite, Marble

LIFTING CAPACITY EC210DL

Lifting capacity at the arm end without bucket.

For lifting capacity including bucket, simply subtract actual weight of the direct fit bucket or the bucket with quick coupler from the following values.

	Lifting hook related to ground level	kg	1.5m		3.0m		4.5m		6.0m		7.5m		Max. reach		
			Along UC	Across UC	Along UC	Across UC	Along UC	Across UC	Along UC	Across UC	Along UC	Across UC	Along UC	Across UC	max. m
Boom : 5.7m	7.5 m	kg											*5 280	*5 280	5.6
Arm : 2.5m	6.0 m	kg							*5 120	*5 120			*5 200	4 170	6.9
Shoe : 600mm	4.5 m	kg					*6 520	*6 520	*5 600	5 080	*5 270	3 540	*5 270	3 460	7.6
CWT : 4200kg	3.0 m	kg					*8 380	7 340	*6 410	4 820	5 380	3 440	4 870	3 120	8.0
	1.5 m	kg					*10 000	6 830	*7 230	4 580	5 250	3 330	4 700	2 990	8.1
	0 m	kg					*10 720	6 600	7 170	4 420	5 170	3 250	4 820	3 040	7.9
	-1.5 m	kg			*10 270	*10 270	*10 640	6 570	7 120	4 370			5 300	3 330	7.4
	-3.0 m	kg			*13 660	13 090	*9 780	6 680	7 200	4 440			6 480	4 040	6.5
	-4.5 m	kg			*10 520	*10 520	*7 510	6 980					*6 600	6 080	5.0
Boom : 5.7m	7.5 m	kg							*4 790	*4 790			*4 630	*4 630	6.2
Arm : 2.9m	6.0 m	kg							*4 700	*4 700			*4 310	3 770	7.3
Shoe : 600mm	4.5 m	kg							*5 230	5 130	*4 930	3 570	*4 260	3 180	8.0
CWT : 4200kg	3.0 m	kg					*7 810	7 460	*6 080	4 860	*5 300	3 450	*4 370	2 890	8.4
	1.5 m	kg					*9 570	6 900	*6 970	4 590	5 250	3 330	4 370	2 770	8.5
	0 m	kg			*5 110	*5 110	*10 550	6 600	7 160	4 400	5 140	3 230	4 470	2 810	8.3
	-1.5 m	kg	*5 910	*5 910	*9 760	*9 760	*10 690	6 520	7 070	4 320	5 110	3 200	4 850	3 050	7.8
	-3.0 m	kg	*10 760	*10 760	*14 440	12 910	*10 070	6 590	7 120	4 360			5 770	3 610	6.9
	-4.5 m	kg			*11 710	*11 710	*8 320	6 820					*6 350	5 050	5.6

Notes: 1. The above loads are in compliance with SAE and ISO Hydraulic Excavator Lift Capacity Standards. 2. They do not exceed 87% of hydraulic lifting capacity or 75% of tipping load. 3. Rated loads marked with an asterisk(*) are limited by hydraulic capacity rather than tipping load.

LIFTING CAPACITY EC210DLR

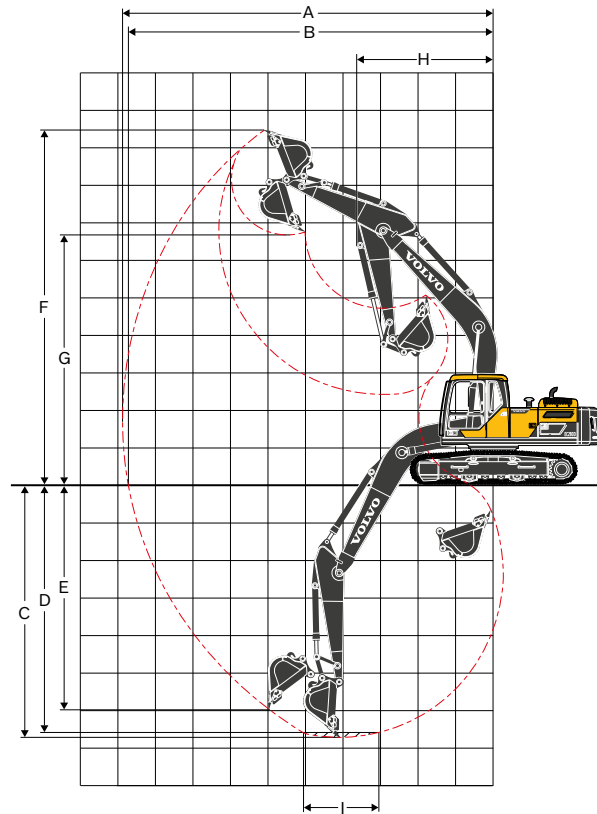
Lifting capacity at the arm end without bucket.

For lifting capacity including bucket, simply subtract actual weight of the direct fit bucket or the bucket with quick coupler from the following values.

	Lifting hook related to ground level	kg	1.5m		3.0m		4.5m		6.0m		7.5m		
			Along UC	Across UC	Along UC	Across UC	Along UC	Across UC	Along UC	Across UC	Along UC	Across UC	
Boom : 8.85 LR	3.0 m	kg					*4 080	*4 080	*2 920	*2 920	*2 320	*2 320	
Arm : 6.25 LR	1.5 m	kg					*5 180	*5 180	*3 520	*3 520	*2 680	*2 680	
Shoe : 800mm	0 m	kg			*1 710	*1 710	*4 080	*4 080	*4 000	*4 000	*3 010	3 000	
CWT : 4 900kg	-1.5 m	kg	*1 840	*1 840	*2 380	*2 380	*4 090	*4 090	*4 310	3 780	*3 250	2 800	
	-3.0 m	kg	*2 530	*2 530	*3 120	*3 120	*4 610	*4 610	*4 460	3 650	*3 400	2 680	
	-4.5 m	kg	*3 260	*3 260	*3 930	*3 930	*5 410	*5 410	*4 470	3 620	*3 450	2 630	
	-6.0 m	kg	*4 040	*4 040	*4 830	*4 830	*5 820	5 680	*4 340	3 660	*3 390	2 640	
	-7.5 m	kg	*4 880	*4 880	*5 850	*5 850	*5 320	*5 320	*4 030	3 770	*3 180	2 710	
	-9.0 m	kg			*6 350	*6 350	*4 560	*4 560	*3 510	*3 510	*2 760	*2 760	
	-10.5 m	kg					*3 360	*3 360	*2 600	*2 600	*1 930	*1 930	
	Lifting hook related to ground level	kg	9.0m		10.5m		12.0m		13.0m		Max. reach		
			Along UC	Across UC	Along UC	Across UC	Along UC	Across UC	Along UC	Across UC	Along UC	Across UC	max. m
	12.0 m	kg									*510	*510	10.3
	10.5 m	kg									*450	*450	11.6
	9.0 m	kg					*940	*940			*420	*420	12.6
	7.5 m	kg			*1 330	*1 330	*1 310	*1 310			*410	*410	13.4
	6.0 m	kg			*1 430	*1 430	*1 370	*1 370	*850	*850	*400	*400	13.9
	4.5 m	kg	*1 720	*1 720	*1 560	*1 560	*1 450	*1 450	*1 210	*1 210	*410	*410	14.3
	3.0 m	kg	*1 950	*1 950	*1 720	*1 720	*1 560	*1 560	*1 450	1 290	*430	*430	14.5
	1.5 m	kg	*2 200	*2 200	*1 880	*1 880	*1 670	1 550	*1 520	1 230	*460	*460	14.6
	0 m	kg	*2 420	2 320	*2 040	1 830	*1 780	1 460	*1 590	1 170	*510	*510	14.4
	-1.5 m	kg	*2 600	2 170	*2 170	1 730	*1 870	1 390	*1 600	1 130	*580	*580	14.2
	-3.0 m	kg	*2 720	2 080	*2 260	1 650	*1 920	1 350	*1 100	*1 100	*670	*670	13.7
	-4.5 m	kg	*2 770	2 030	*2 290	1 620	*1 930	1 330			*810	*810	13.1
	-6.0 m	kg	*2 730	2 030	*2 240	1 630	*1 650	1 360			*1 020	*1 020	12.3
	-7.5 m	kg	*2 550	2 090	*2 050	1 700					*1 370	*1 370	11.2
	-9.0 m	kg	*2 160	*2 160							*1 890	*1 890	9.7
	-10.5 m	kg									*1 860	*1 860	7.6

Notes: 1. The above loads are in compliance with SAE and ISO Hydraulic Excavator Lift Capacity Standards. 2. They do not exceed 87% of hydraulic lifting capacity or 75% of tipping load. 3. Rated loads marked with an asterisk(*) are limited by hydraulic capacity rather than tipping load.

Specifications

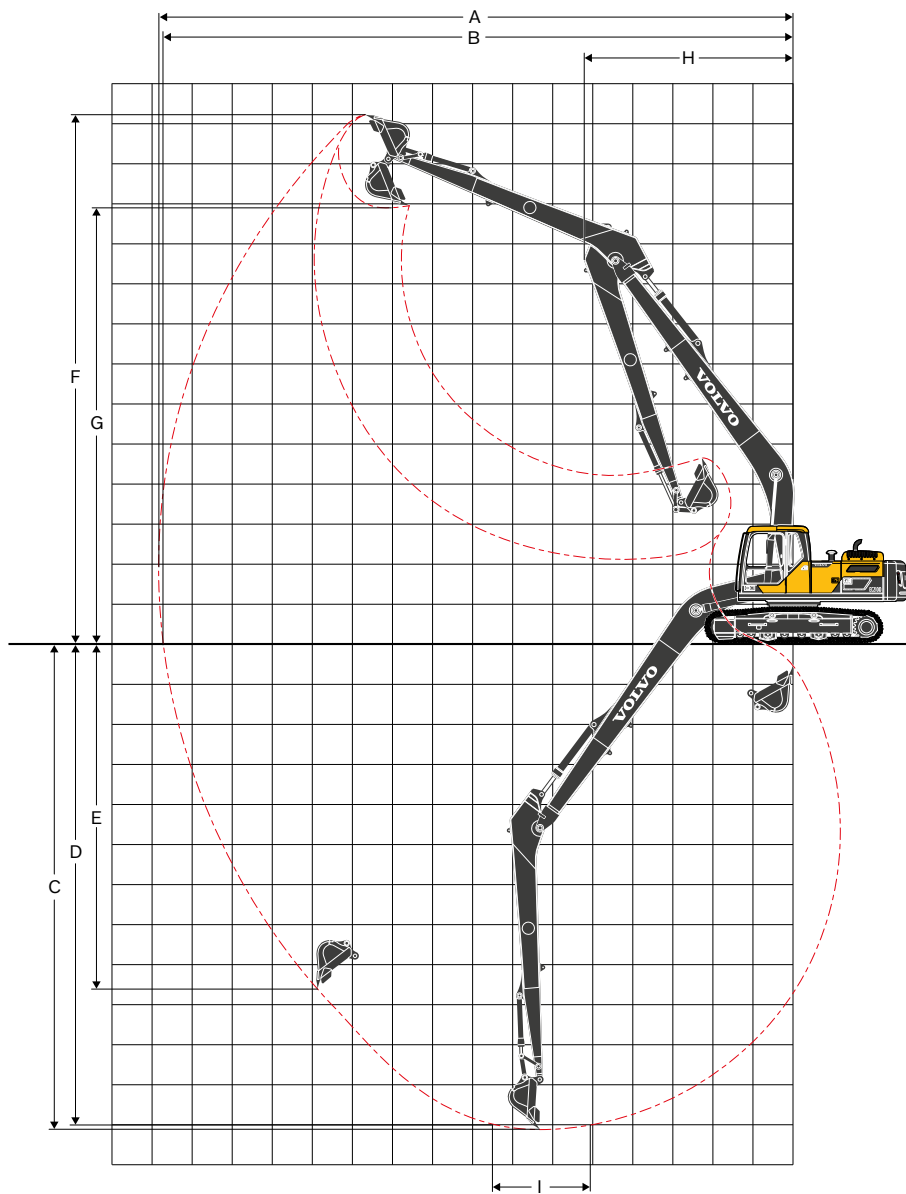


WORKING RANGES WITH DIRECT FIT BUCKET

Description		Unit	EC210DL	
Boom		m	5.7	
Arm		m	2.5	2.9
A	Max. digging reach	mm	9 580	9 970
B	Max. digging reach on ground	mm	9 410	9 800
C	Max. digging depth	mm	6 360	6 760
D	Max. digging depth (2.44 m level)	mm	6 140	6 570
E	Max. vertical wall digging depth	mm	5 430	5 900
F	Max. cutting height	mm	9 240	9 470
G	Max. dumping height	mm	6 400	6 620
H	Min. front swing radius	mm	3 670	3 640

DIGGING FORCES WITH DIRECT FIT BUCKET

Bucket radius		mm	1 503	1 503
Breakout force (bucket)	Normal	SAE J1179	kN	120
	Power boost	SAE J1179	kN	127
	Normal	ISO 6015	kN	136
	Power boost	ISO 6015	kN	144
Tearout force (arm)	Normal	SAE J1179	kN	111
	Power boost	SAE J1179	kN	118
	Normal	ISO 6015	kN	114
	Power boost	ISO 6015	kN	121
Rotation angle, bucket		°	175	175



WORKING RANGES WITH DIRECT FIT BUCKET

Description	Unit	EC210DLR
Boom	m	8.85
Arm	m	6.25
A Max. digging reach	mm	15 800
B Max. digging reach on ground	mm	15 700
C Max. digging depth	mm	12 100
D Max. digging depth (2.44 m level)	mm	12 000
E Max. vertical wall digging depth	mm	11 290
F Max. cutting height	mm	13 300
G Max. dumping height	mm	10 950
H Min. front swing radius	mm	5 200

DIGGING FORCES WITH DIRECT FIT BUCKET

Bucket radius		mm	1 248	
Breakout force (bucket)	Normal	SAE J1179	kN	68
	Power boost	SAE J1179	kN	-
	Normal	ISO 6015	kN	77
	Power boost	ISO 6015	kN	-
Tearout force (arm)	Normal	SAE J1179	kN	44
	Power boost	SAE J1179	kN	-
	Normal	ISO 6015	kN	45
	Power boost	ISO 6015	kN	-
Rotation angle, bucket		°	178	

Equipment

STANDARD EQUIPMENT

Engine

Turbocharged, 4 stroke diesel engine with water cooling, direct injection and charged air cooler
Air filter with indicator
Air intake heater
Fuel filter and extra water separator
Alternator, 80A
Precleaner, cyclone

Electric / Electronic control system

Contronics
Advanced mode control system
Self-diagnostic system
Machine status indication
Engine speed sensing power control
Automatic idling system
One-touch power boost
Safety stop/start function
Adjustable LCD color monitor
Master electrical disconnect switch
Engine restart prevention circuit
High-capacity halogen lights
Batteries, 2 x 12 V / 120 Ah
Start motor, 24 V / 5.5 kW

Frame

Access way with handrail
Tool storage area
Punched metal anti-slip plates
Counterweight: 4 200kg

Hydraulic system

Automatic sensing hydraulic system
Summation system
Boom priority
Arm priority
Swing priority
"ECO" mode fuel saving technology
Boom, arm regeneration valves
Swing anti-rebound valves
Boom and arm holding valves
Auxiliary hydraulic valve
Automatic two-speed travel motors
Multi-stage filtering system
Cylinder cushioning
Cylinder contamination seals
Hydraulic oil, ISO VG 68

Cab and interior

Front sun screen
Silicon oil and rubber mounts with spring
Adjustable operator seat with heater and joystick control console
Control joysticks with semi-long
Air-conditioner
Flexible antenna
Radio with MP3/AUX
Control lock out lever
Cab, all-weather sound suppressed, includes:
Cup holders
Door locks
Tinted glass
Floor mat
Horn
Large storage area
Pull-up type front window
Removable lower windshield
Seat belt
Safety glass
Windshield wiper with intermittent feature
Master key

STANDARD EQUIPMENT

Track shoes

600 mm with triple grousers (HDx46)
Standard Track guard
Tool kit, full scale
Greased and sealed track link
GP under cover
GP belly cover
Hydraulic track adjusters

Digging equipment

HD Boom: 5.7 m mono
GP Linkage

OPTIONAL EQUIPMENT

Engine

Fuel filler pump, 50 lpm

Electric

Caretrack-GSM and 3yr-Caretrack subscription
Extra lights:
Cab-mounted 3 (front 2, rear 1)
Travel alarm
Anti theft with code-lock
Rotating warning beacon

Frame

Rear view mirror on CWT
Side view mirror on Tank
Full track guard

Hydraulic system

Hose rupture valve: boom
Hydraulic piping:
Hammer & shear, 1 pump flow
2 Pump Double act. Piping for X1
Quick coupler piping
Electric pedal control on X1 (ON/OFF, 1 way)
Return filter for Hammer/Shear
Volvo hydraulic quick coupler EQX
Quick fit piping
Overload warning device

Cab and interior

Fabric seat without heater
Cab-mounted falling object guard (FOG)
Cab-mounted falling object protective structure (FOPS)
Smoker kit (ashtray and lighter)
Safety net for lower window
Safety net for front window
Sun screens, front, roof, rear
Front rain shield

Track shoes

700/800 mm with triple grousers
Link w/700mm double gr shoe x 49
Link w/600mm triple gr HD shoe x 49
Linkage with lifting eye

Digging equipment

Longreach 8.85m boom
Long reach 6.25m arm
HD Arm: 2.5 m
0.92m ³ HD bucket
HD Arm, 2.9m with Strip
HD Arm with Strip 2.5 m

Service

Tool kit, daily maintenance

SELECTION OF VOLVO OPTIONAL EQUIPMENT

Front rain shield



Oilbath pre-cleaner



FOPS



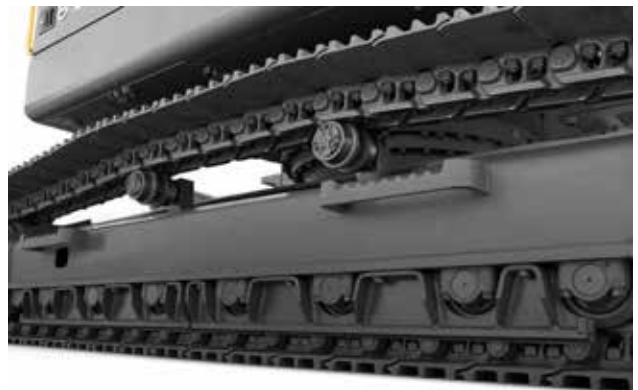
Fuel Filler Pump



Boom and arm configuration



Full trackguard



Not all products are available in all markets. Under our policy of continuous improvement, we reserve the right to change specifications and design without prior notice. The illustrations do not necessarily show the standard version of the machine.

VOLVO

Volvo Construction Equipment

volvo.com