

Volvo Construction Equipment
Building Tomorrow



EW60C

Volvo Excavators



Powerful performance

Powerful operational capacity

With its smooth controls and powerful Volvo engine, the EW60C provides operating performance that exceeds expectations.



Travel capacity on sloping sites

With its new drive system and powerful, Volvo engine, the EW60C ensures class-leading performance in flat or sloping conditions.



Automatic idling system

With its new, cutting edge, auto-idling system, the engine automatically reverts to idle mode if the controls are not touched for five seconds.



Axle locking system

The fixed-type cylinder-supported axle locking system guarantees optimum performance and durability in operation.



Bucket and dozer blade in harmony

The gap between the bucket and blade has been redesigned to be as narrow as possible, making it ideal for leveling and various finishing operations.



Applied air compressor

The EW60C's high-performance, air compressor has ample injection pressure capacity and is perfect for maintaining interior and exterior equipment.



Additional, high-performance, halogen work lights

This photograph may show optional equipment and may differ from the actual product.



VOLVO ENGINE

Powerful, proven Volvo diesel engine delivers top performance along with quiet, environmentally friendly operation and leading fuel efficiency. Direct injection for fast, efficient mixing of fuel in the engine. Meets Tier 3 environmental emission standards - for more power and efficiency. Engine is controlled electronically by the V ECU.



Gear-shifting control system and RPM control switch

Hydraulic type gear-shifting, control system maneuvers in a simple manner and is ideal for operating on sloping ground.

Rotary type RPM control switch maintains optimum engine speed control for all work conditions.

Rotary type work mode control switch is convenient for both work and travel.

VOLVO SAFETY PACK



- 1 • Rear work lights / Travel work lights
- 2 • Reverse travel warning alarm
- 3 • Password input system (Anti-theft function)

Advanced cab

Convenient operating space with cutting edge functions: the joy of comfortable and convenient work begins with Volvo's advanced work system.

Smooth operation

Full proportional control. Every movement of the control joystick is translated into action, regardless of load or operating speed. This enables the operator to precisely control all major functions of the excavator for fast and accurate operation.



Visibility for safety at work

The Volvo cab's design focuses on the operator, providing ideal, all-round, visibility for safe operation in any working conditions.



Pleasant interior air circulation system

8 vents circulate air for fast cooling and heating, maintaining the ideal temperature and optimum air circulation.



De-luxe suspension seat

De-luxe suspension seat can be adjusted to suit any operator, making it possible to work stress free over long periods.



State-of-the-art multi-function display

New, multi-function LCD display makes it easy to monitor various machine functions from the operator's seat, ensuring optimal control.



Unique Volvo advanced work system

Ergonomically located switches support fast and accurate operation with minimal movement.



- 1 • Ergonomic column-tilting design
- 2 • 5-stage fixed sliding window
- 3 • Convenient right-side sliding window
- 4 • MP3 CD player



CAB PUTS THE OPERATOR IN COMMAND

The Volvo Care Cab has excellent all-around visibility with a very large, glazed surface area on all four sides, high-capacity climate control and adjustable steering column. The responsive controls allow the operator to set the work speed without leaving the seat.

Improved cab environment

The refined design of the cab incorporates many convenient functions, making work a pleasure.



- 1 • Cell phone storage space
- 2 • Front glass opening & closing system
- 3 • Blade operating lever with good grip
- 4 • Audio mute function
- 5 • Refined heating & cooling switch (Defrosting function)
- 6 • Convenient offset boom control lever
- 7 • Automatic axle-locking function
- 8 • New design vents
- 9 • Various rear storage spaces

Quality & trust

Volvo is proud of its stable quality and excellent durability. Trust in quality – the best value only Volvo can provide.

Durability

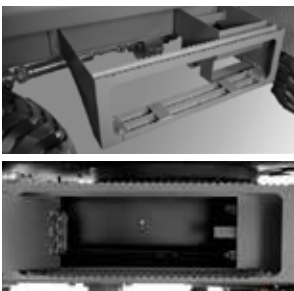
Quality and robust design gives the EW60C features you would normally expect to find in a heavier machine. For smoother operation, precision and productivity, Volvo chose the best power-assisted technology available.

Best in class undercarriage durability

The EW60C's undercarriage guarantees excellent performance and durability, exceeding the standards of existing compact excavators.

Differentiated rear design

The EW60C's heavy counterweight enhances work stability and the high intensity, LED rear lights improve economy and safety.



New tool box

Newly designed, large tool box with anti-slip step for safe movement.



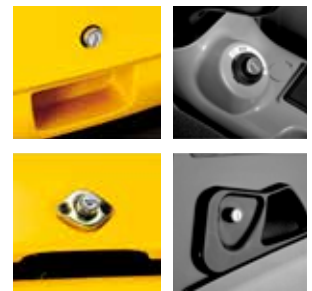
High-performance

Convenient, offset boom is installed as standard and makes it possible to perform fast and accurate work in narrow spaces.



Fast fuel Injection

The EW60C's high-capacity, 110 liters fuel tank is integrated with a fuel-filling pipe injecting 35 liter per minute.



Universal key system

Universal key system is convenient for checking maintenance status or for resolving emergencies.



- 1 • Newly designed dozer blade
- 2 • Offset boom with high-strength material
- 3 • High-performance water separator
- 4 • Mudguard with good visibility
- 5 • High-quality connectors guaranteed by Volvo



SERVICEABILITY

The large rear engine hood, which can easily be opened completely, provides full access to the engine's checking points. Service points are clustered together in one location. 1 : Engine oil level check – 2 : Fuel circuit check – 3 : Air filter check – 4 : Coolant level check – 5 : Oil cooler and water radiator cleaning and check.



Cylinder durability

Hydraulic cylinder with robust power and durable design of each cylinder rod.



Durability of equipment

Various hydraulic pipes are protected from external damage during work.



Volvo tooth system

The pin type Volvo tooth system ensures fast assembly and disassembly.



Centralized electric system

Various fuses are conveniently placed behind the operator's seat, so checks are easy.



- 1 • Deluxe LED rear light
- 2 • Reinforced bucket rest
- 3 • Centralized hydraulic lines
- 4 • New rim color

Upgraded Volvo Excavator EW60C

Powerful operational capacity

Volvo powerful engine and high-performance hydraulic system provides operational performance beyond expectations.

Bucket and dozer blade work harmony

The gap between the bucket and blade has been redesigned to be as narrow as possible, making it ideal for leveling and various finishing operations.

Smooth operation

Every movement of the control joystick is translated into action, regardless of load or operating speed.

VOLVO ENGINE

Powerful, proven Volvo diesel engine delivers top performance along with quiet, environmentally friendly operation and leading fuel efficiency.

Durability

Quality and robust design give the EW60C features you would normally expect to find in a heavier machine.



Interior air circulation system

8 vents circulate air for fast cooling and heating, maintaining the ideal temperature and optimum air circulation.



ADVANCED CAB

The Volvo Care Cab offers excellent, all-round visibility with a very large, glazed surface area on all sides, high-volume climate control and adjustable steering column.

SERVICEABILITY

Fully opening engine hood allows easy access and convenience for parts replacement. The wide area under the cab enables fast service.

Durability of the undercarriage

The EW60C's undercarriage guarantees excellent performance and durability, exceeding the standards of existing compact excavators.

Various usage & benefit

Volvo really understands customer needs. The upgraded EW60C ensures you optimal working performance on any job site and high profit.

Agricultural sites

Perfect for agricultural work such as irrigation, canals and field work.
Greenhouses: compact, to perform smoothly in greenhouses in both digging and levelling tasks.



Landscaping jobsites

Golf courses: essential equipment for fast maintenance and repair work, without damaging the grass.
Landscaping / Creating burial grounds: excellent for tree transfer and work and for handling wet soil.



Livestock sites

Farm management: excellent for tasks around the farm and for work in confined spaces such as stables.
Processing compost: ideally suited to moving livestock feed, hay and compost.



Construction sites

Construction sites: easily performs building remodeling works in narrow spaces inside and outside buildings.
Construction work: easily performs construction work such as housing construction, etc.

Orchard, forestry sites

Orchards: performs bed excavations, tree transplanting etc., without damaging other trees, thanks to its short swing radius. Forest sites: excellent performance in landscaping and piling works for forests and fields.

Urban sites

Road construction: can get the job done quickly without taking up too much space in busy streets. Construction of housing sites: demonstrates excellent work performance in residential areas with fast travel speed and robust power.

Volvo EW60C specifications

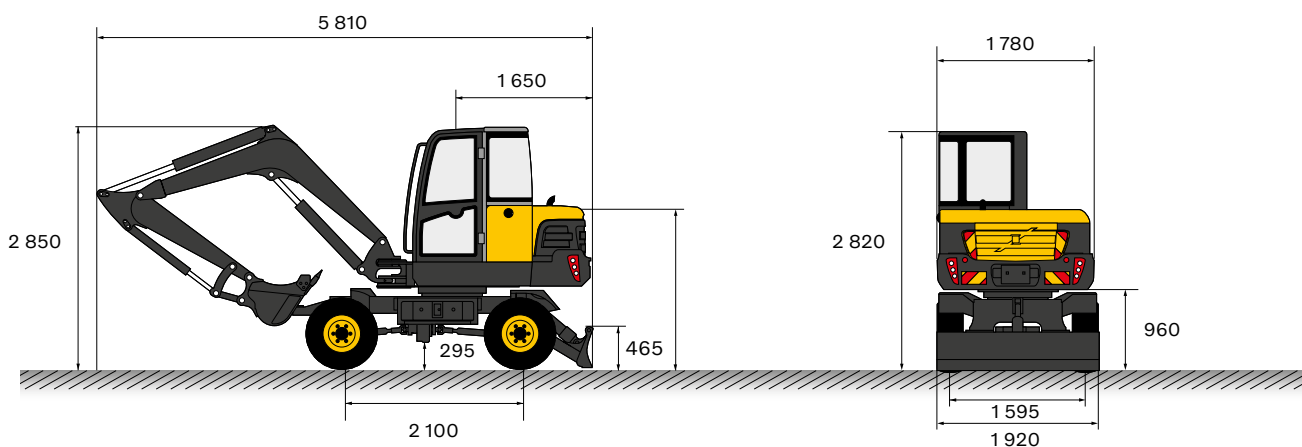


Air compressor & Gun

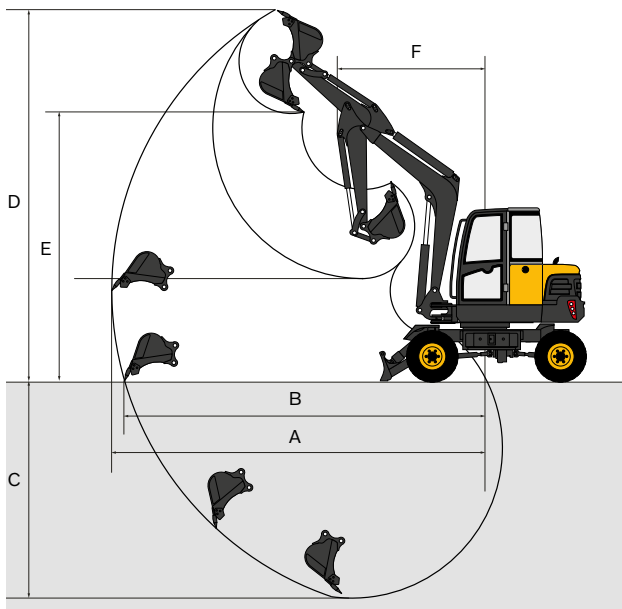


Fuel injection pump

DIMENSIONS (Unit: mm)



WORKING RANGES



Specifications above are subject to change without notice for quality improvements.

MAIN SPECIFICATIONS

Operating weight	5 700 kg
Bucket capacity (heaped material, SAE)	0.187 m ³

Engine

Model	Volvo D3. 4 DCDE3
Type	Water-cooled 4-cylinder Diesel
Engine power (Net) ISO 9249/SAE J1349	40.7 (55.3) / 2 400 kW (PS)/rpm
Maximum torque	20 kg-m/ 1 800 rpm

Hydraulic system

Type	Variable displacement piston pump × 2, Gear pump × 1
Discharge pressure (Working/Swing)	220/190kg/cm ²
Pump discharge flows	2×60+38.9ℓ/min
Fuel tank	110ℓ

Performance

Swing speed	9.5 rpm
Travel speed (1 st shift gear/2 nd shift gear)	10/30 km/h
Digging forces (Bucket/Arm) (ISO 6015)	4.2 / 2.9 ton
Climbing ability	30° (Unloaded)
Boom swing angle (°)	Left 80, Right 50

Travel equipment

Tire size	12×16.5 -12PR
-----------	---------------

Dozer blade

Length × Height	1 920×465 mm
-----------------	--------------

OPTIONAL SPECIFICATIONS

For boom swing (Offset)		
A Max. digging radius	(mm)	6 020
B Max. digging radius on ground	(mm)	5 803
C Max. digging depth	(mm)	3 327
Max. vertical wall digging depth	(mm)	2 342
D Max. cutting height	(mm)	6 018
E Max. dumping height	(mm)	4 456
F Front slew radius	(mm)	2 360

Not all products are available in all markets. Under our policy of continuous improvement, we reserve the right to change specifications and design without prior notice. The illustrations do not necessarily show the standard version of the machine.

VOLVO

Volvo Construction Equipment

volvoce.com