

Volvo Construction Equipment
Building Tomorrow



ECR35D, ECR40D

Volvo Compact Excavators 3.5-3.9 t 25.2 hp



A passion for performance

At Volvo Construction Equipment, we're not just coming along for the ride. Developing products and services that raise productivity – we are confident we can lower costs and increase profits for industry experts. Part of the Volvo Group, we are passionate about innovative solutions to help you work smarter – not harder.

Helping you to do more

Doing more with less is a trademark of Volvo Construction Equipment. High productivity has long been married to low energy consumption, ease of use and durability. When it comes to lowering life-cycle costs, Volvo is in a class of its own.

Designed to fit your needs

There is a lot riding on creating solutions that are suited to the particular needs of different industry applications. Innovation often involves high technology – but it doesn't always have to. Some of our best ideas have been simple, based on a clear and deep understanding of our customers' working lives.



You learn a lot in 180 years

Over the years, Volvo has advanced solutions that have revolutionized the use of construction equipment. No other name speaks Safety louder than Volvo. Protecting operators, those around them and minimizing our environmental impact are traditional values that continue to shape our product design philosophy.

We're on your side

We back the Volvo brand with the best people. Volvo is truly a global enterprise, one that is on standby to support customers quickly and efficiently – wherever they are.

We have a passion for performance.



Volvo Trucks



Renault Trucks



Mack Trucks



UD Trucks



Volvo Buses



Volvo Construction Equipment



Volvo Penta



Volvo Financial Services

Short swing, big power

The ECR35D/ECR40D short swing radius machine is designed to work with power and precision in tight spaces, improving safety and performance in all applications. Featuring a comfortable cab, excellent hydraulics, easy-to-use controls and outstanding serviceability, you will achieve a lot with this small machine.

Optimized efficiency

For lower costs, increased productivity and maximum uptime a number of efficient features combine on the ECR35D/ECR40D. ECO mode allows you to choose the right machine setting for the job at hand for impressive fuel efficiency. Robust design and quality digging equipment delivers durability and long term machine value. Auto idle and auto engine shut down reduce noise disturbance, fuel consumption, maintenance costs and slow down depreciation of your machine.



Superior serviceability

The ECR35D/ECR40D is built to ensure servicing is safe, quick and easy, featuring easy service access with wide-opening hoods, centralized lubrication and ground-level greasing points. The patented multifunction transparent hydraulic filter and extended greasing intervals of 50 hours, enhance machine availability and uptime.



Easy to use

The machine's state-of-the-art hydraulic system is perfectly matched to the Volvo engine delivering high performance, fast response times and smooth operation. The ergonomic, comfortable controls are easy to understand and make it simple to switch between operators. Responsive fingertip controls enhance ease of operation, reduce fatigue and improve fluency.



Short swing radius

This compact excavator is designed and built to work in tight spaces and can be used on more jobsites while reducing risk of damage to the machine and its surroundings. Short swing radius design and boom cylinder position on the left make the ECR35D/ECR40D the number one choice for working in confined areas. Slew and offset movements are controlled simultaneously for easy and fast positioning of the machine.

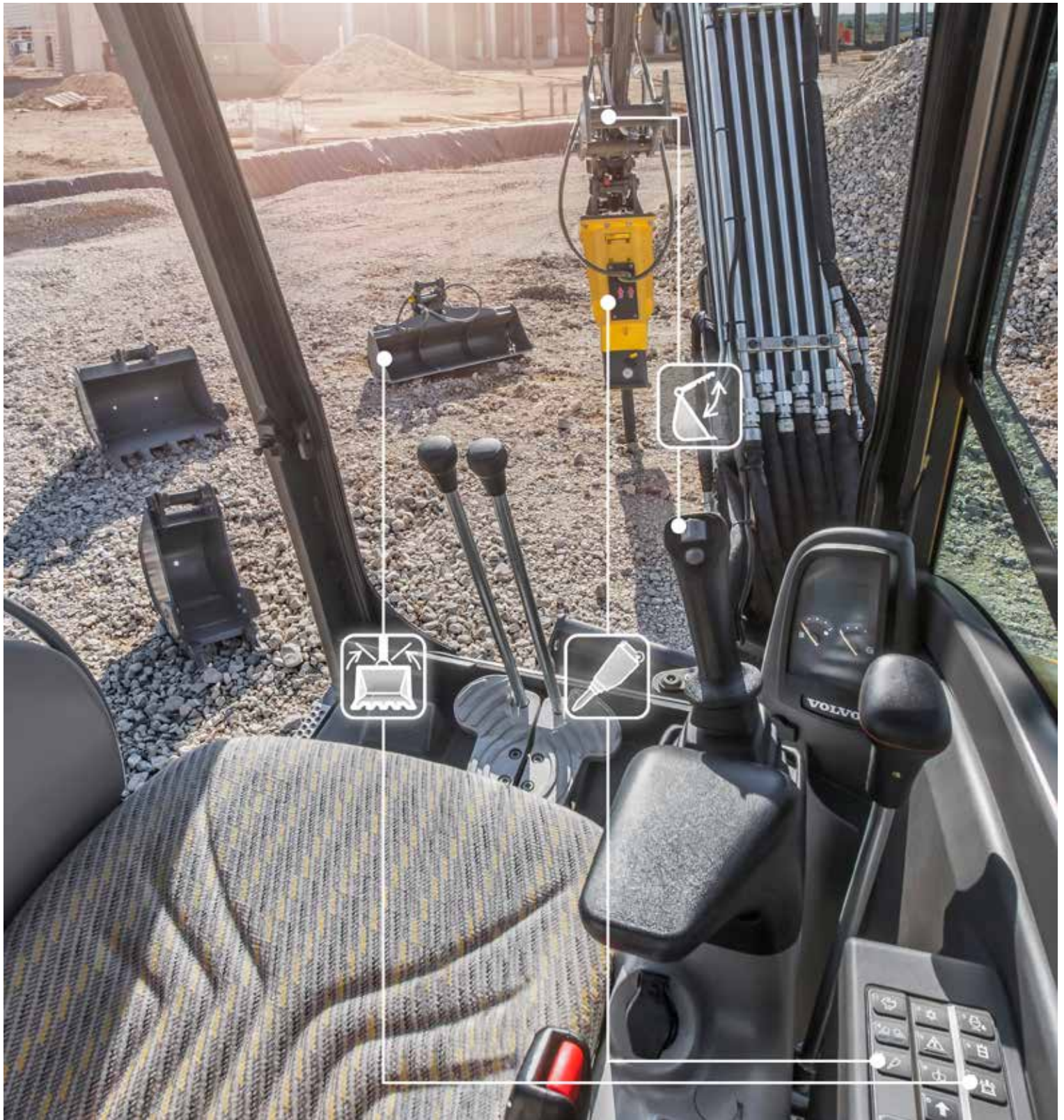




OPERATOR ENVIRONMENT



Operate in a best-in-class cab for superior operator comfort and less fatigue. The ECR35D/ECR40D is equipped with a spacious operator environment offering excellent all-around visibility and an adjustable suspended seat and console. Most machine functions and settings can be quickly accessed through keypad and monitor for maximum control of your machine.



BUILT READY



Get the most out of your machine. The ECR35D/ECR40D is a perfect match with Volvo attachments allowing you to change hydraulic settings directly and easily from the keypad. For increased versatility and uptime, Volvo has a durable range of attachments so you can access more applications and effectively perform a variety of jobs.

More than a machine

Tailored to your business and operations, choose from a wide range of Volvo attachments and Customer Solutions to improve your performance, productivity and versatility. Volvo offers a complete range of robust attachments for all working conditions and can offer a long-term partnership, protect your revenue and provide a full range of services using Genuine Volvo parts, delivered by passionate people.

Quick Couplers

The mechanical and hydraulic universal quick couplers allow attachments to be changed quickly and efficiently. The hydraulic quick coupler's design allows it to be used for matched Volvo attachments as well as a broad range of offerings from different brands.



Advanced attachment solutions

The machine is compatible with a range of hydraulic attachments, including thumb, breaker and tiltable ditching bucket for more advanced and specialist applications. Available from the factory or aftermarket, do not hesitate to contact your local Volvo dealer and benefit from leading expertise and advanced attachment solutions.



Dealer support

For less downtime and expert care, Volvo proactively respond to your requirements faster and fully support your service and maintenance needs through its local workshops and on-site service vans. Your attentive Volvo dealer offers professional expertise and preventative maintenance solutions to keep you working and ensure more uptime.



Genuine Volvo Parts

Our attention to detail is what makes us stand out and our leading parts availability ensures maximum uptime of your machine. For a long life, parts are extensively tested and approved because every part is vital for machine longevity and uptime.



Short swing, big power

Anti-theft system

To reduce the risk of theft, a code can be entered through the keypad to start the machine. It can be changed via the machine management system.

Automatic engine shutdown

This function automatically turns the engine off to reduce fuel consumption and cut engine operating hours when the machine is inactive for a pre-set amount of time.

Short swing radius

Short front and rear radius ensures safe and easy operation within a confined space.

BUILT READY



Volvo's durable attachments have been purpose-built to deliver maximum productivity and long service life in combination with Volvo machines

In-track boom swing

The swing post and cylinder stay within the tracks when in an offset position, avoiding the risk of damage to your machine when working alongside obstacles.

50 hour greasing interval

The greasing interval is 50 hours – therefore there is no need to re-grease between jobs.



Automatic travel speed

Automatic two speed travel allows the operator to continually drive the machine at high speed. Speed is automatically reduced when traction is needed.

OPERATOR ENVIRONMENT



The industry-leading, spacious Volvo FOPS1 on top, TOPS and ROPS cab boasts all around visibility, ergonomically positioned controls and excellent vibration and noise insulation.

ECO mode

By simply pressing a button, the unique Volvo ECO mode reduces fuel consumption by up to 10%.

Suspended seat and console

The multi-adjustable seat and console are mounted on the same suspension and therefore move together – providing excellent shock and vibration absorption.

Service access

The side position of the engine together with two, wide-opening hoods ensures safe and easy access to all components and service check points from ground level.

Patented hydraulic filter

Filtration occurs when the tank is filled or topped up and before the oil returns via the drain lines. The transparent bowl enables easy oil level and contamination checks.

Customer Solutions

Volvo provides the right solutions throughout the entire life cycle of your machine to lower total cost of ownership.



Volvo ECR35D, ECR40D in detail

Engine			
		ECR35D	ECR40D
Engine		Volvo D1.7A	Volvo D1.7A
Max. power at	r/min	2 200	2 200
Gross	kW	18.5	18.5
	hp	25.2	25.2
Gross power according to ISO 2534			
Max. torque	Nm	97	97
at engine speed	r/min	1 600	1 600
No. of cylinders		3	3
Displacement	cm ³	1 647	1 647
Bore	mm	87	87
Stroke	mm	92.4	92.4
Compression ratio		20.5	20.5
Electrical system			
		ECR35D	ECR40D
Voltage	V	12	12
Battery	V	1 x 12	1 x 12
Battery capacity	Ah	74	74
Alternator	V/Ah	12/60	12/60
Swing system			
		ECR35D	ECR40D
Max, slew speed	r/min	9	9
Max, slew torque	daNm	810	710
Undercarriage			
		ECR35D	ECR40D
Rubber track width	mm	300	300
Steel track width	mm	300	300
Bottom/top rollers per side		4/1	4/1
Track tension	by grease piston	by grease piston	by grease piston
Blade (width x height)	mm	1 780 x 368	1 780 x 368
Digging Performances			
		ECR35D	ECR40D
Standard bucket width (blade, W/O side cutter)	mm	600	600
Standard bucket mass	kg	90	90
Standard bucket rated capacity	l	114	114
Bucket rotation	°	198	199
Bucket breakout force (ISO)	daN	3 072	3 289
Short arm tearout force (ISO)	daN	2 066	2 371
With short arm	mm	1 250	1 400
Long arm tearout force (ISO)	daN	1 819	2 060
With long arm	mm	1 500	1 700

Weight and Ground Pressure			
		ECR35D	ECR40D
Operating weight according to ISO 6016	kg	3 520	3 880
Ground pressure (cab)	kPa	32.7	36
Ground pressure (canopy)	kPa	31.4	34.8
Transport weight	kg	3 445	3 805
With heated cab			
With direct-fit bucket			
With rubber tracks	mm	300	300
With short arm	mm	1 250	1 400
With fuel tank capacity	%	100	100
With thumb	+kg	64	64
With canopy	-kg	135	135
With extra counterweight	+kg	170	80
With long arm and additional counterweight	+kg	180	95
With steel tracks	+kg	130	130
Steel tracks	mm	300	300
Hydraulic system			
		ECR35D	ECR40D
Pump type		Variable displacement piston pump	
Maximum system flow	l/min	103	103
Maximum flow for accessories	l/min	65	65
Maximum pressure for accessories	MPa	22	22
Maximum flow for 2nd accessory circuit (option)	l/min	23	23
Maximum operating pressure	MPa	26	24
Travel System			
		ECR35D	ECR40D
Max, drawbar pull	daN	3 100	3 100
Max. travel speed low	km/h	2.7	2.7
Max. travel speed high	km/h	4.5	4.5
Gradeability	°	20	20
Service Refill			
		ECR35D	ECR40D
Fuel tank	l	64	64
Hydraulic system, total	l	62	62
Hydraulic tank	l	32	32
Engine oil	l	7	7
Engine coolant	l	7	7
Travel reduction unit	l	2 x 0.7	2 x 0.7
Sound Level			
		ECR35D	ECR40D
Interior sound level according to ISO 6396			
L _{pA}	dB	78	78
External sound level according to ISO 6395 and EU Noise Directive (2000/14/EC) and 474-1:2006 +A1:2009			
L _{WA}	dB	94	94

Specifications

LIFTING CAPACITY ECR35D

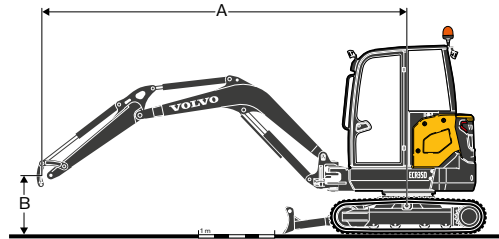
These capacities are given for a machine equipped with a cabin, 300mm rubber tracks and without a bucket or quick-coupler.

The below values are in compliance with ISO standard 10567. They do not exceed 75% of the tipping load or 87% of the hydraulic limit with the machine on firm level ground.

Loads marked with an asterisk (*) are limited by machine's hydraulic lifting capacity rather than tipping load.

Caution: In accordance with standard EN 474-5, the machine must be equipped to carry out handling operations.

It is the operator's obligation to know and follow the applicable national and local safety regulations.



		Lifting point radius (A)									
		2.0 m		3.0 m		4.0 m		Max. reach		Max.	
Lifting point height (B) m	kg									m	
		Arm: 1 250mm + Dozer blade up	3							479	470
2				730	712	461	453	388	381	4.43	
1				669	652	440	432	359	353	4.57	
0				635	619	424	416	370	364	4.41	
-1	1 220		1 167	632	616			438	430	3.91	
-2	1 268	1 213					753	732	2.76		
Arm: 1 500mm + Additional counterweight + Dozer blade up	3					537	526	485	475	4.23	
	2					526	514	406	398	4.68	
	1			766	744	502	491	379	371	4.81	
	0	1 203*	1 203*	721	700	481	470	388	381	4.66	
	-1	1 364	1 300	712	691	476	465	448	438	4.19	
-2	1 405	1 339	733	712			668	650	3.21		
Arm: 1 250mm Dozer blade down	3							760*	470	3.95	
	2			901*	712	793*	453	750*	381	4.43	
	1			1 368*	652	939*	432	805*	353	4.57	
	0			1 628*	619	1 049*	416	918*	364	4.41	
	-1	2 706*	1 167	1 570*	616			1 007*	430	3.91	
-2	1 869*	1 213					1 101*	732	2.76		
Arm: 1 500mm + Additional counterweight + Dozer blade down	3					648*	526	643*	475	4.23	
	2					713*	514	621*	398	4.68	
	1			1 244*	744	877*	491	653*	371	4.81	
	0	1 203*	1 203*	1 577*	700	1 018*	470	760*	381	4.66	
	-1	2 321*	1 300	1 603*	691	1 015*	465	927*	438	4.19	
-2	2 320*	1 339	1 200*	712			1 037*	650	3.21		

LIFTING CAPACITY ECR40D

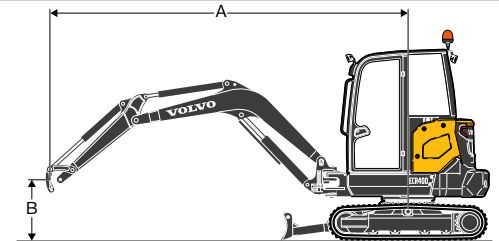
These capacities are given for a machine equipped with a cabin, 300mm rubber tracks and without a bucket or quick-coupler.

The below values are in compliance with ISO standard 10567. They do not exceed 75% of the tipping load or 87% of the hydraulic limit with the machine on firm level ground.

Loads marked with an asterisk (*) are limited by machine's hydraulic lifting capacity rather than tipping load.

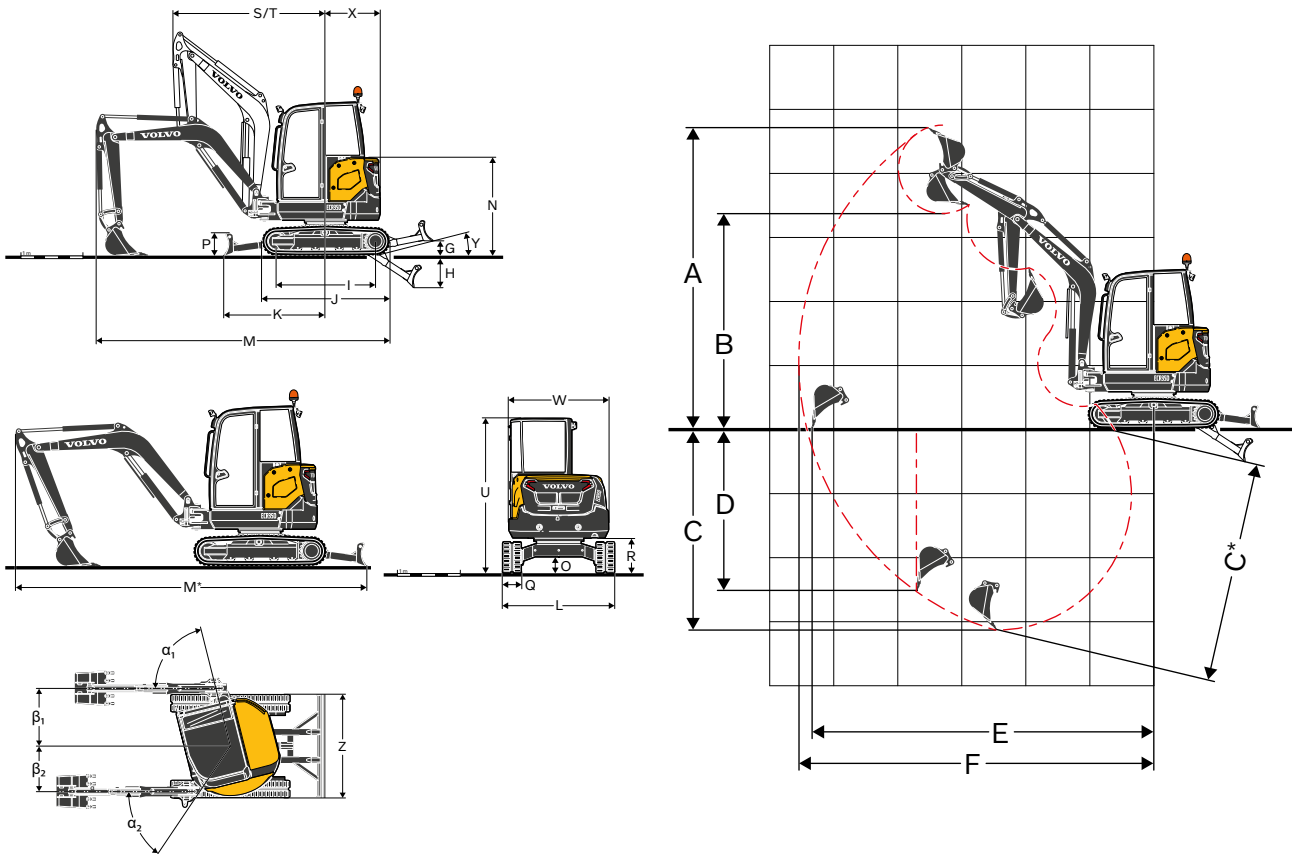
Caution: In accordance with standard EN 474-5, the machine must be equipped to carry out handling operations.

It is the operator's obligation to know and follow the applicable national and local safety regulations.



		Lifting point radius (A)									
		2.0 m		3.0 m		4.0 m		Max. reach		Max.	
Lifting point height (B) m	kg									m	
		Arm: 1 400mm + Dozer blade up	3					609	579	544	517
2				932	878	595	564	457	434	4.71	
1				864	812	569	539	428	407	4.84	
0				825	774	549	520	439	417	4.69	
-1	1 590		1 457	820	769	545	516	506	479	4.24	
-2	1 630	1 495	842	791			745	702	3.27		
Arm: 1 700mm + Additional counterweight + Dozer blade up	3					617*	616	513	487	4.60	
	2					629	596	439	417	5.00	
	1			909	854	597	565	413	392	5.12	
	0	1 122*	1 122*	856	802	571	539	420	398	4.99	
	-1	1 624	1 486	841	788	561	529	471	446	4.57	
-2	1 657	1 517	855	802			631	596	3.73		
Arm: 1 400mm Dozer blade down	3					740*	579	786*	517	4.27	
	2			957*	878	839*	564	837*	434	4.71	
	1			1 542*	812	1 039*	539	901*	407	4.84	
	0			1 884*	774	1 201*	520	982*	417	4.69	
	-1	2 539*	1 457	1 885*	769	1 205*	516	1 088*	479	4.24	
-2	2 757*	1 495	1 465*	791			1 240*	702	3.27		
Arm: 1 700mm + Additional counterweight + Dozer blade down	3					617*	616	713*	487	4.60	
	2					733*	596	761*	417	5.00	
	1			1 351*	854	950*	565	819*	392	5.12	
	0	1 122*	1 122*	1 790*	802	1 145*	539	891*	398	4.99	
	-1	2 192*	1 486	1 892*	788	1 214*	529	987*	446	4.57	
-2	3 181*	1 517	1 643*	802			1 121*	596	3.73		

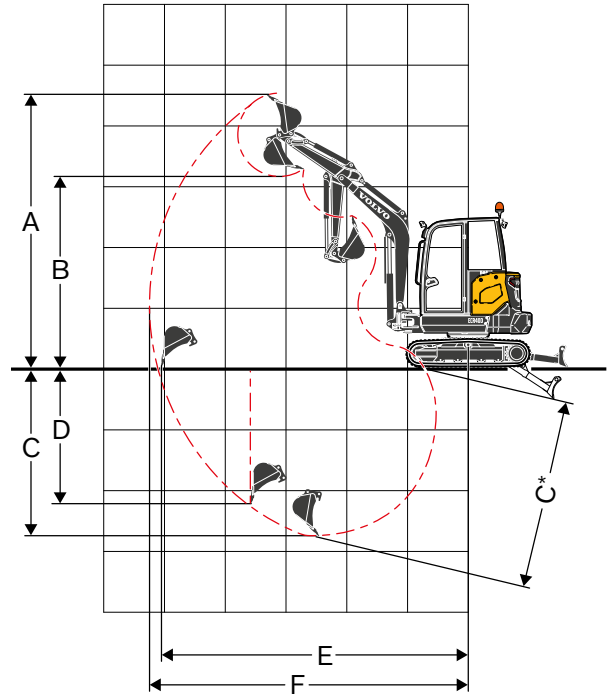
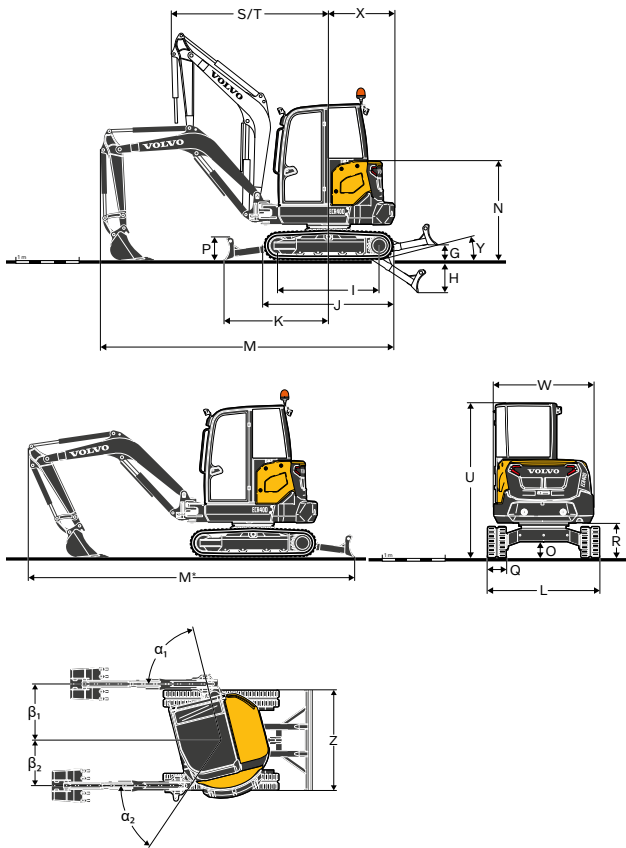
Specifications



DIMENSIONS

Description	Unit	ECR35D	
		1 250	1 500
Arm	mm		
A Maximum cutting height	mm	4 497	4 640
B Maximum dump height	mm	3 147	3 290
C Digging depth	mm	2 785	3 035
C* Maximum digging depth	mm	3 173	3 420
D Maximum vertical wall digging depth	mm	2 251	2 494
E Maximum digging reach at ground level	mm	5 131	5 370
F Maximum digging reach	mm	5 261	5 497
G Highest position dozer blade	mm		370
H Lowest position dozer blade	mm		525
I Tumbler length	mm		1 604
J Track length	mm		2 055
K Dozer blade, maximum reach at ground level	mm		1 648
L Overall width with 300mm rubber tracks	mm		1 780
M Overall length	mm	4 609	4 504
M* Transport length	mm	5 435	5 380
N Overall height of engine hood	mm		1 573
O Minimum ground clearance	mm		285
P Dozer blade height	mm		368
Q Shoe width (rubber)	mm		300
R Ground clearance to superstructure	mm		557
S Front slew radius	mm	2 394	2 418
T Front slew radius with maximum offset	mm	1 869	1 889
U Overall height	mm		2 481
W Overall width of superstructure	mm		1 575
X Tail slew radius	mm	885	970
X ¹ Additional counterweight overhang	mm	85	(incl.)
Y Angle of approach	°		25
Z Dozer blade width	mm		1 780
α ₁ Maximum boom swing angle to the left	deg		76
β ₁ Maximum boom offset to the right	mm		995
α ₂ Maximum boom swing angle to the right	°		56
β ₂ Maximum boom offset to the left	mm		787

1: Option



DIMENSIONS

Description		Unit	ECR40D	
Arm		mm	1400	1700
A	Maximum cutting height	mm	4 690	4 853
B	Maximum dump height	mm	3 347	3 514
C	Digging depth	mm	3 131	3 431
C*	Maximum digging depth	mm	3 481	3 771
D	Maximum vertical wall digging depth	mm	2 521	2 811
E	Maximum digging reach at ground level	mm	5 411	5 699
F	Maximum digging reach	mm	5 533	5 813
G	Highest position dozer blade	mm		370
H	Lowest position dozer blade	mm		525
I	Tumbler length	mm		1 604
J	Track length	mm		2 055
K	Dozer blade, maximum reach at ground level	mm		1 648
L	Overall width with 300mm rubber tracks	mm		1 780
M	Overall length	mm	4 780	4 640
M*	Transport length	mm	5 650	5 580
N	Overall height of engine hood	mm		1 573
O	Minimum ground clearance	mm		285
P	Dozer blade height	mm		368
Q	Shoe width (rubber)	mm		300
R	Ground clearance to superstructure	mm		557
S	Front slew radius	mm	2 459	2 474
T	Front slew radius with maximum offset	mm	1 923	1 936
U	Overall height	mm		2 481
W	Overall width of superstructure	mm		1 575
X	Tail slew radius	mm	1 035	1 035
X ¹	Additional counterweight overhang	mm	0	(incl.)
Y	Angle of approach	°		25
Z	Dozer blade width	mm		1 780
alpha ₁	Maximum boom swing angle to the left	deg		76
beta ₁	Maximum boom offset to the right	mm		995
alpha ₂	Maximum boom swing angle to the right	°		56
beta ₂	Maximum boom offset to the left	mm		787

¹: Option

Equipment

STANDARD EQUIPMENT

	ECR35D	ECR40D
Engine		
Low emission, direct injection, water-cooled, Volvo 3-cylinder diesel engine, meeting EU Stage V environmental regulations.	•	•
Engine restart prevention system. Starter motor is protected against ignition when engine is already running.	•	•
Dry-type single element air filter.	•	•
Plastic fuel tank with drain plug.	•	•
Protective strainer on the fuel suction pipe inside the tank	•	•
Water separator.	•	•
Translucent fuel filter.	•	•
Drivetrain		
Axial piston hydraulic motors equipped with an epicyclic reduction gears.	•	•
Automatic two speed travel	•	•
Bottom flanged rollers lubricated for life.	•	•
Grease tensioning wheel lubricated for life.	•	•
Electric / Electronic control system		
Maintenance free battery.	•	•
IP67 protected electrical system and high quality connectors.	•	•
Removable battery cut-off switch.	•	•
In-cab 12V power socket.	•	•
Swing system		
Radial piston hydraulic motor with direct engagement on the ball internal crown wheel (no reduction gears).	•	•
Integrated shockless valve.	•	•
Automatic multi-disc slew brake.	•	•
Centralized and remote lubrication of crown wheel & ball bearing.	•	•
Undercarriage		
"X" shape, box welded fabricated frame with sloping side members.	•	•
2 Tie-down points on the dozer blade.	•	•
2 Tie-down points on the frame.	•	•
2 Integrated lifting points.	•	•
Sturdy removeable protecting covers for track motors and slew system.	•	•
400HB weld-on edge on dozer blade	•	•
Hydraulic system		
Large hinged and key-locked access panel.	•	•
Variable displacement, load-sensing piston pump.	•	•
Closed centre flow-sharing main control valve.	•	•
Cushoning on cylinders:	•	•
- Boom up	•	•
- Arm out	•	•
Patented filtering and filling element.	•	•
Single layer cooling system.	•	•
Double-acting hydraulic circuit for accessories.	•	•
Hammer / shear valve.	•	•
Plastic tank with drain plug.	•	•
Canopy		
FOPS level 1 on top (Falling Objects Protective Structure)	•	•
TOPS (Tip-Over Protective Structure)	•	•
ROPS (Roll-Over Protective Structure)	•	•
Cushionned operator station	•	•
Large and roomy uncluttered floor	•	•
Left hand-rail access	•	•
Seat-belt with warning indicator	•	•
Cab		
FOPS on top level 1 (Falling Object Protective Structure).	•	•
TOPS (Tip-Over Protective Structure).	•	•
ROPS (Roll-Over Protective Structure).	•	•
Cushioned operator station.	•	•
Large door access.	•	•
Large and roomy uncluttered floor.	•	•
Gas-strutt assisted front window opening.	•	•
Full opening front bay with in-cab storage for the front lower window.	•	•
Front windscreen wiper and washer nozzle.	•	•
Right hand side sliding window.	•	•
Heating systems.	•	•
Multiple adjustable air vents.	•	•
Filtered air inlet.	•	•
Cab inside light.	•	•
Seat-belt with warning indicator.	•	•
Two working lights on top front of the cab.	•	•
Digging equipment		
Monobloc box welded boom.	•	•
Boom cylinder rod protection.	•	•
Integrated lifting point on the boom.	•	•
Monobloc box welded arm.	•	•
Long-life steel bushings.	•	•
Hardened, pre-lubricated and corrosion resistant pins.	•	•
50 hours greasing intervals.	•	•

STANDARD EQUIPMENT

	ECR35D	ECR40D		
Machine controls				
Finger tip control for boom offset.	•	•		
Finger tip control for auxiliary circuit.	•	•		
Breaker toggle switch on right joystick	•	•		
Automatic locking device for pilot controls and travel levers when the left console is raised.	•	•		
Engine starting safety device: the left console must be raised to operate the starter.	•	•		
Pressure accumulator to lower the equipment on the ground when the engine is switched off.	•	•		
High torque / automatic two speed change over button on the keypad.	•	•		
High speed toggle switch on the dozer blade lever.	•	•		
Large travel pedals.	•	•		
Instrumentation and monitoring				
Water temperature and fuel level gauges.	•	•		
Warning lights for hydraulic filter and air filter restriction.	•	•		
Self-acting emergency engine shutdown. Prevents failures in case of coolant overheating or too low engine oil pressure.	•	•		
Several warning lights, coupled to an audible signal, in the event of malfunction (overheating, drop in oil pressure, low battery voltage...)	•	•		
Official approval				
Machine conforming to European directive 2006/42/EC.	•	•		
Noise emissions in the environment conforming to directive 2000/14/EC.	•	•		
Hand Arm Vibrations - Whole Body Vibrations compliant with directive 2002/44/EC.	•	•		
Electromagnetic compatibility (EMC) conforming to European directive 2004/108/EC and its amendments.	•	•		
Object handling device conforming to EN 474-1 and EN 474-5 standards.	•	•		
FOPS on top level 1 conforming to ISO 10262 standard.	•	•		
TOPS conforming to ISO 12117 and EN 13531 standards.	•	•		
ROPS conforming to ISO 3471-1 and / SAE J1040 standards.	•	•		
EQUIPMENT				
• = Standard				
○ = Option				
	ECR35D	ECR40D		
	Basic	Standard		
	Basic	Standard		
Operator environment				
Canopy	○	○	○	○
Cab with heater	○	○	○	○
Cab with heater and air conditioning		○		○
Vinyl or textile seat, with mechanical suspension, low-back seat and 2" seat belt	○	○	○	○
Vinyl or textile seat, height adjustable, with mechanical suspension, high back and 2" or 3" retractable seat belt	○	○	○	○
Storage box	○	○	○	○
Cab roof		○		○
ISO / SAE control pattern change (in-cab electric switch)	○	○	○	○
Travel alarm	○	○	○	○
Radio preparation (cab)	•	•	•	•
Radio, AUX, USB, Bluetooth		○		○
Anti-theft device	○	○	○	○
Digital hourmeter	•	•	•	•
Extra hour meter (mechanical,)	○	○	○	○
Cupholder.		○		○
Machine exterior				
Right rearview mirror	•	•	•	•
Left rearview mirror	○	○	○	○
Protected worklight on the boom	○	○	○	○
Rear worklight	○	○	○	○
Rotating beacon	○	○	○	○
Choice of halogen or LED lights and beacon	○	○	○	○
Additional counterweight	○	○	○	○
Front canopy guard (OPG1)	○	○	○	○
Severe-duty guards for cab or canopy (OPG2, front and top)	○	○	○	○
Several level of paint customisation (RAL specifications) to match with your corporate identity	○	○	○	○
Digging equipment				
Short arm	○	○	○	○
Short arm + thumb bracket			○	○
Long arm				
Long arm + thumb bracket				
Long arm + additional counterweight	○	○	○	○
Long arm + thumb bracket + additional counterweight			○	○

EQUIPMENT

- = Standard
- = Option

	ECR35D		ECR40D	
	Basic	Standard	Basic	Standard
Undercarriage equipment				
300mm rubber tracks	○	○	○	○
300mm steel tracks	○	○	○	○
Standard dozer blade	•	○	•	○
Hydraulic angle blade		○		○
Hydraulic equipment				
Proportional finger tip control for boom offset		•		•
On / Off finger tip control for boom offset	•		•	
Proportional finger tip control for accessories		•		•
On / off finger tip control for accessories	•		•	
Accessory flow adjustment with 3 function oriented button and user-defined settings.		•		•
Secondary relief valves for auxiliaries	•	•	•	•
Hydraulic drain for accessories		○		○
Breaker and clamshell auxiliaries		○		○
Second accessory circuit		○		○
Volvo Control System		○		○
Flat face hydraulic quick couplings	○	○	○	○
Single acting circuit for quick couplers	○	○	○	○
Double acting circuit for quick couplers	○	○	○	○
Boom and arm safety lifting valves with overload indicator	○	○	○	○
Boom, arm and dozer blade safety lifting valves with overload indicator	○	○	○	○
Float blade	•	•	•	•
Safety valve certification	○	○	○	○
Mineral hydraulic oil VG46	○	○	○	○
Bio hydraulic oil VG46 (PANOLIN®)	○	○	○	○
Mineral hydraulic oil VG68	○	○	○	○
Mineral hydraulic oil VG32	○	○	○	○
Bio hydraulic oil VG32 (PANOLIN®)	○	○	○	○

EQUIPMENT

- = Standard
- = Option

	ECR35D		ECR40D	
	Basic	Standard	Basic	Standard
Engine				
Manual engine control	•		•	
Digital engine control with two preset engine speed buttons (user adjustable)		•		•
Engine auto idling with time adjustment		○		○
ECO mode		•		•
Engine auto shut-down with time adjustment		○		○
Dual stage air filter	○	○	○	○
Service and maintenance				
In-cab air filter clogg warning lamp	•	•	•	•
In-cab engine overheating warning indicator	•	•	•	•
Tool kit	○	○	○	○
Electronic service reminder		•		•
V-CADS pro		•		•
Telematics				
Care Track		○		○
Attachments				
Volvo quick coupler mechanical (pin-on)	○	○	○	○
Volvo hydraulic quick coupler (pin-on)	○	○	○	○
Extra pin kit	○	○	○	○
Lehnhoff® Quick Coupler Mechanical (MS03)	○	○	○	○
Lehnhoff® Quick Coupler Hydraulic (HS03)	○	○	○	○
S-type hydraulic quick coupler (S40)	○	○	○	○
Steelwrist® Tiltrotators (X04)		○		○
Thumb with short clamp (for direct fit bucket)			○	○
Thumb with long clamp (when using quick coupler)			○	○
A choice of fix or tiltable buckets (300mm / 52L up to 1300mm / 150L)	○	○	○	○
Bolt-on side cutters	○	○	○	○
Hydraulic breaker HB03LN	○	○	○	○

SELECTION OF VOLVO OPTIONAL EQUIPMENT

Anti theft



Auto engine shutdown



OPG



Air conditioning



Angle blade



Safety valves



Not all products are available in all markets. Under our policy of continuous improvement, we reserve the right to change specifications and design without prior notice. The illustrations do not necessarily show the standard version of the machine.

VOLVO

Volvo Construction Equipment

volvoce.com