

V O L V O



Volvo Double Drum Compactors 8.7 t 55 kW

DD90C

Volvo Construction Equipment



Welcome to our world

Welcome to a world of industry leading machinery. A world where imagination, hard work and technological innovation will lead the way towards developing a future which is cleaner, smarter, and more connected. A world supported by the enduring values of the Volvo Group. A world of stability, sustainability and innovation. A world which we put our customers at the heart of.

Welcome to the world of Volvo Construction Equipment – we think you're going to like it here.

The road to success

Our range of road machinery combines the heritage of the Ingersoll Rand and ABG brands with the engineering excellence of Volvo. The result is a line-up of Volvo pavers and compactors which achieve an unrivalled level of quality, in both paving and compaction applications.

Building on our proud history, we continue to innovate our products to offer customers the best solutions for their operation. Our Compact Assist and Pave Assist products are just two examples of how we are developing intelligent solutions to ensure our machines deliver world-class performance and results long into the future.



Solutions for you





Our industry leading machines are just the start of your relationship with Volvo. As your partner, we have developed an extensive range of additional solutions to help you improve uptime, boost productivity and reduce costs.

Designed for your business

Structured across nine blocks, our portfolio of products and services are designed to complement your machine's performance and boost your profitability. Simply put, we offer some of the best guarantees, warranties and technological solutions in the industry today.

There when you need us

Whether you're buying new or used, our global network of dealers and technicians offer around-the-clock support, including machine monitoring and world-class parts availability. It's the basis of everything offered by Volvo Services, so you can be confident we've got you covered right from the start.

 <p>Fuel Efficiency Services</p>	 <p>Productivity Services</p>	 <p>Safety Services</p>
 <p>Financial Services</p>	 <p>Uptime Services</p>	 <p>Rental Services</p>
 <p>Volvo Attachments</p>	 <p>Genuine Volvo Parts</p>	 <p>New life Services</p>

BUILDING TOMORROW

Quality results

Rely on the DD90C to deliver a high quality mat in fewer passes. A new generation asphalt compactor from Volvo, the DD90C is built on the success of its predecessor along with a host of upgrades. Utilizing our decades of experience in the Indian market, the asphalt compactor is packed with productivity-enhancing features and ready to tackle the most challenging projects.

Productive perfection

Experience the ultimate in productivity and mat quality. Dual amplitudes and frequencies allow the machine to adjust to the type of material at hand, combined with a 50hz high frequency for fast rolling speeds. Chamfered drum edges and automatic vibration start, further contribute to the perfect mat.



Optimum water use

Optimize water use with the automatic spraying system, which provides variable flow proportional to the machine speed, delivering consistent drum coverage and preventing material pick-up.



See more, do more

Count on operators to produce the highest quality rolling results, thanks to superb all-round visibility. This combined with the adjustable suspended seat means they can work with greater precision, comfort and safety. A heavy-duty steel sunshade protects operators against the elements and in the unlikely event of a machine roll-over.



Made in India, for India

Based on decades of experience supplying high performing machines to the Indian market, the DD90C has been designed specifically for compaction applications in India.





TAKE CONTROL

Unlock the full potential of your machine with the new 4.3" display. Available information via the display includes travel speed, impact spacing meter, trip meter, total working hours, engine rpm and high coolant temperature indicator. Service notifications as well as information regarding battery condition and fuel levels help to maximize uptime.

More uptime, more compaction

With the highest levels of Volvo quality built into every component, the DD90C is a reliable and durable machine designed to work harder for longer. Machine quality is complemented by a range of Volvo Services, to keep your machine working at its best and get the maximum return on your investment.

Retain Volvo quality

Only by using Genuine Volvo Parts can you be sure that your machine retains its renowned Volvo quality. Every part is vital for uptime and Genuine Volvo Parts are extensively tested and approved to provide the same levels of component quality as the day you bought your machine.



Round the clock support

Get your machine back to work without delay with 24/7 access to the Volvo dealer support network. Simply call the support number, which will automatically direct you to your local dealership, where a dedicated team will take care of your individual needs.



Plan for success

Including preventive maintenance and total repairs, with a Customer Support Agreement you are in control of your service costs. Customer Support Agreements are part of an extensive portfolio of Volvo Services designed to help you get the maximum return on your Volvo machine from purchase to disposal.





POWERED TO PERFORM

The fuel efficient and reliable VECV engine helps to secure the highest levels of performance and a low cost of operation. Both the engine and machine can be serviced by your Volvo dealer, providing a one-stop-shop maintenance solution for further convenience and reduced downtime.

Packed with performance

Superior smoothness

- Chamfered drum edges
- Automatic vibration start
- Automatic spraying system

Ease of operation

- 4.3" display: effective work and service management
- Adjustable sliding/suspended seat
- All-around visibility
- Heavy-duty sunshade

Access more uptime

- Water tanks can be filled from ground level
- Proven engine, serviced by your Volvo dealership
- Call on Volvo 24/7
- Genuine Volvo Parts
- Customer Support Agreements

Made in India, for India

Specifically tailored for compaction applications in India.



Productivity, whatever the job

- Dual frequencies and dual amplitude
- High frequency of 50hz facilitates fast rolling speeds
- Powerful and fuel efficient engine



Specifications

Machine weights (with cab)		
Operating weight ¹	kg	8 700
Max operating weight	kg	9 100
Weight @ front drum	kg	4 220
Weight @ rear drum	kg	4 480
Shipping weight	kg	8 170

Drums		
Width	mm	1 676
Diameter	mm	1 219
Shell thickness	mm	19
Finish	machined surface; chamfered and radiused edges	

Vibration 2 Amplitudes		
Frequency	Hz	50/36
Amplitude	mm	0.36/1.0
Centrifugal force	kN	54/79

Propulsion		
Type	closed-loop hydrostatic, parallel circuit to both drums	
Drum drive	2-speed axial piston motors with gear drive	
Travel speed	high	km/h 0 - 12
Travel speed	low	km/h 0 - 7
Gradeability (theoretical)	%	30

Engine		
Make / model	VECV, EE483TCI StageIV CEV	
Engine type	Turbo charged water cooled	
Rated power @ installed speed	kW	55KW @ 2200 rpm
Electrical	12 V DC, 90 A alternator	

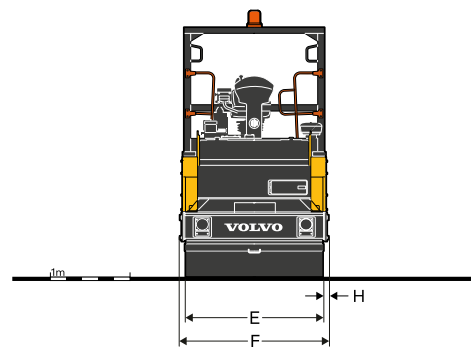
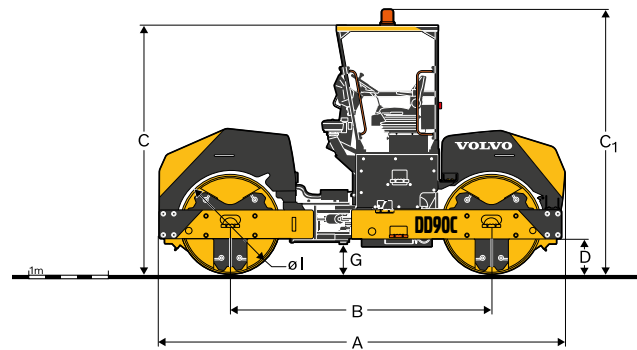
Brakes		
Service	Dynamic hydrostatic through propulsion system	
Parking secondary	SAHR on both drum drives	

Water system		
Type	Pressure spray drum wetting system with LDPE water tank	
Pumps	Two water pumps- One for each drum	
Spray Bars	One spray bar for each drum	
Nozzles	Hand-serviceable spray nozzles, 6 per spray bar	
Filtration	Filter baskets in fill necks, primary filter at each pump, fine filter for each nozzle	
Drum wipers	Rubber wipers for each drum	
Water tank capacity	l	700

Steering		
Type	Articulated frame center pivot steering	
Outside turning radius	mm	7 285
Inside turning radius	mm	5 605
Articulation angle	°	30
Oscillation angle	°	10

Fluid Capacities		
Fuel tank capacity	l	180
Hydraulic oil capacity	l	80

¹ As per CECE / ISO 6016



DIMENSIONS			
A	Overall length	mm	4 970
B	Drum base	mm	3 195
C	Overall height (top of cab)	mm	3 050
C ₁	Overall height (top of beacon)	mm	3 220
D	Curb clearance	mm	430
E	Drum width	mm	1 676
F	Overall width	mm	1 835
G	Ground clearance	mm	305
H	Side Clearance	mm	72
I (Φ)	Drum Diameter	mm	1 219

Equipment

STANDARD EQUIPMENT

Engine

Battery disconnect switch

Operator environment

Operator seat, steering wheel and main controls: lateral sliding

Propulsion control lever

1 charger socket USB 5V

Heavy Duty Sun Roof

Storage compartments

Easy to clean anti slip cab floor

Suspension Seat with Operator presence switch

2" Seat Belt

Interior light

1x1 m Visibility

Vibration and drum system

Auto vibration

Selectable vibration: front, rear, both

2 frequencies, 2 amplitudes

Auto Water Spray with flow Control

Electrics and electronics

4.3" LCD Colour Display

2 cab mounted worklights, REAR

Road light

Emergency stop button

Back-up alarm

Fuel level with Sensor

Real time Vehicle Speed

OPTIONAL EQUIPMENT

Electrics and electronics

Strobe Lamp

Attachments

Nylon scraper option

V O L V O