

V O L V O



Volvo Double Drum Compactors 12.6 t / 27,700 lb 148 hp

DD120C

Volvo Construction Equipment

DD120C



Big projects, big performance

Ensure high quality compaction with the advanced drum vibration system.

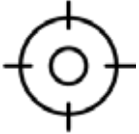


Drive your costs down

Maximize fuel efficiency with adaptive power, auto-idle and auto-engine shutdown without compromising performance.



Unequaled compaction



Target Compaction

Ensure you always vibrate at the appropriate rolling speed with Volvo's Impact Spacing Meter, for a smooth, uniform finish.



Roll with the experts

Rely on Volvo's engineering excellence to help protect your business and profits from the ground up.



Compact Assist

Achieve optimum compaction results, with less effort, thanks to the suite of Compact Assist apps – all powered by the 10" Volvo Co-Pilot touchscreen.



More work, fewer passes

Do more work in fewer passes and achieve target density with the high centrifugal force and the 8 amplitude option.



Unobstructed visibility

Work efficiently with a 360° view of the drum, spray bars and jobsite, optimizing rolling precision and safety.



Comfortably productive

Boost productivity and comfort with a rotating seat, ergonomic controls, and noise and vibration isolation.



ActiveCare Direct

Maximize uptime and reduce repair costs with ActiveCare Direct, providing 24/7 machine monitoring and weekly reports.



New mode of regeneration

Passive regeneration functions automatically during operation without operator input or effect on performance.



Easy maintenance

Optimize efficiency with the swing-up hood for complete access to the engine and hydraulic components.



Productivity on tap

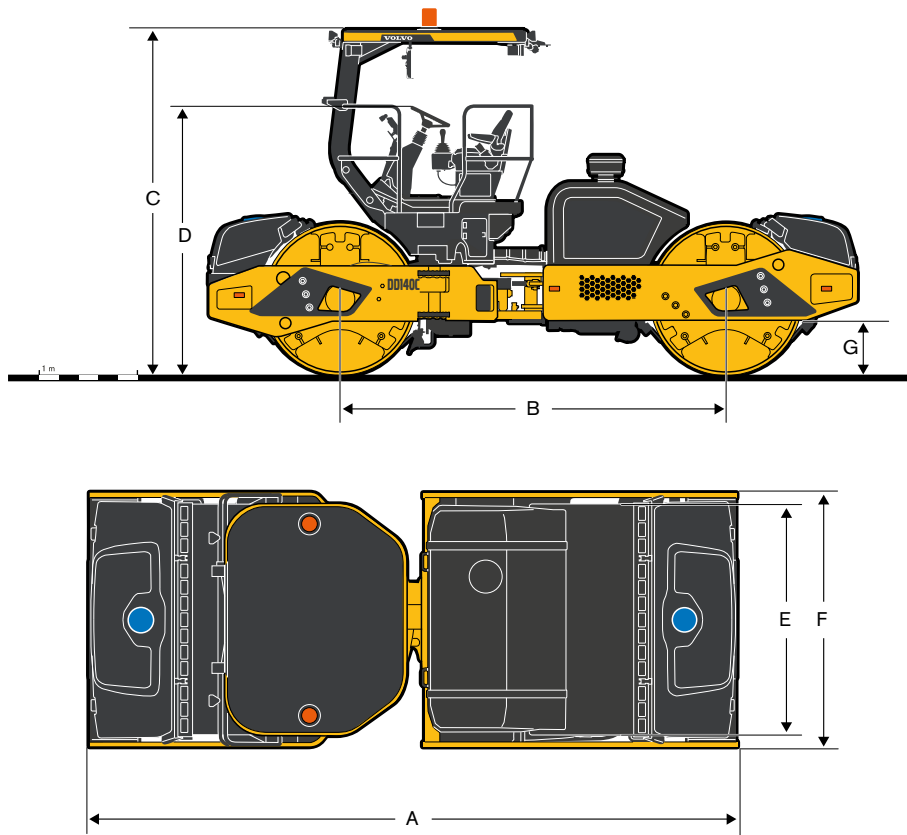
Optimize productivity with automatic water burst mode and flow-rate calibration to prevent material pick-up.

Specifications

Model			DD120C	
Machine weights			with open ROPS/FOPS canopy	
Operating weight ¹	kg	lb	12,565	27,700
Weight @ front drum	kg	lb	6,684	14,735
Weight @ rear drum	kg	lb	5,881	12,965
Shipping weight ²	kg	lb	11,791	25,994
Drums				
Width	mm	in	2,000	79
Diameter	mm	in	1,400	55
Shell thickness	mm	in	20	0.79
Finish	Machined surface; chamfered and radiused edges			
Propulsion				
Type	Closed-loop hydrostatic, parallel circuit to both drums			
Drum drive	2-speed axial piston motors with planetary gear drive			
Travel speed	km/h	mph	7.8-12.2	4.8-7.6
Engine				
Make / model	Volvo D4, EPA Tier 4 final			
Engine type	4 Cyl, Electronic, Turbo charged CAC, EGR, DPF, SCR			
Rated power @ 2,200 r/min	kW	hp	110	148
Electrical	24 V DC, 120 A alternator, Starter 5.5 kW, Battery 775 CCA (SAE)			
Brakes				
Service	Dynamic hydrostatic through propulsion system			
Parking secondary	Spring-applied, hydraulic release on both drum drives			
Water system				
Type	Pressure spray drum wetting system with dual water tanks			
Nozzles	Hand-serviceable spray nozzles, 8 per spray bar			
Filtration	Strainer at fill necks, primary filter at each pump, fine filter for each nozzle			
Drum wipers	Front and rear styrene wipers for each drum			
Water tank capacity	l	gal	1,280	338
Miscellaneous				
Articulation angle			+ / - 40°	+ / - 40°
Oscillation angle			+ / - 10°	+ / - 10°
Inside turning radius (to drum edge)	mm	in	3,772	149
Fuel tank capacity	l	gal	199.8	52.8
DEF tank capacity	l	gal	20	5.28
Hydraulic oil capacity	l	gal	149.9	39.6
Gradeability (theoretical)			33%	

¹ incl. 50% fuel, 50% water, full hyd., 75 kg / 165 lb operator

² incl. 50% fuel, no water, no operator



DIMENSIONS

	DD120C	
	with open ROPS/FOPS canopy	
	mm	in
A	5,973	235.2
B	3,550	139.8
C	3,177	125.1
D	2,479	97.6
E	2,218	87.3
F	2,000	79.0
G	505	19.9

Amplitude Setting	DD120C					
	Nominal amplitude		Vibration frequency		Eccentric force	
	mm	in	Hz	VPM	kN	lbf
2 amplitudes						
High Amplitude (Low frequency)	0.89	0.0349	50	3,000	187	42,070
Low Amplitude (High frequency)	0.36	0.014	66.7	4,000	134	30,020
8 amplitudes						
1	0.38	0.0149	56.7	3,400	102.2	22,980
2	0.40	0.0157	56.7	3,400	108.2	24,330
3	0.46	0.018	56.7	3,400	123.6	27,780
4	0.53	0.0208	56.7	3,400	142.8	32,110
5	0.60	0.0235	56.7	3,400	161.5	36,310
6	0.65	0.0257	56.7	3,400	176.7	39,720
7	0.69	0.0271	56.7	3,400	186.5	41,920
8	0.70	0.0276	56.7	3,400	189.8	42,680

Equipment

STANDARD EQUIPMENT

Engine

Battery disconnect switch

V-belt protection

Operator Environment

Open ROPS/FOPS canopy

Operator seat, steering wheel and main controls: rotating +/- 90°

Propulsion control lever

Adjustable steering wheel

2 charger sockets 12V

Anti-slip cab floor, easy to clean

Cup holder

Seat switch with timer delay

Three-point seat belt

Seat belt alarm

Vibration and drum system

Auto vibration

Selectable vibration: front, rear, both

2 frequencies, 2 amplitudes

Electrics and electronics

4 Halogen work lights in frame (2 on each bumper)

Permanent wetting system water level display

Permanent fuel level display

Information display:

- Fluid temperatures

- Engine speed

- Vehicle speed

Impact meter

Emergency stop button

Water system

Two spray bars per drum

OPTIONAL EQUIPMENT

Vibration and drum system

8 amplitudes

Electrics and electronics

4 LED frame lights

4 LED frame lights and 4 LED canopy lights

Drum Edge, Surface, and Step Lights

Light ready kit

4 frame Halogen lights

Rotating beacon

Back up alarm

Compact Assist

Compact Assist with Density Direct

CareTrack

Caretrack Anti-theft

Asphalt temperature gauge kit

Structure

Special paintwork

Biodegradable hydraulic oil

Other

Cocoa Mats

Auto-idle shutdown

Fuel Strainer

Maintenance Package

Metric Tool Kit

Fire Extinguisher mounting bracket



V O L V O