

V O L V O



L150H, L180H, L220H, L260H, L350H

WHEEL LOADERS IN SLAG HANDLING

Volvo Construction Equipment



Welcome to our world

Welcome to a world of industry leading machinery. A world where imagination, hard work and technological innovation will lead the way towards developing a future which is cleaner, smarter, and more connected. A world supported by the enduring values of the Volvo Group. A world of stability, sustainability and innovation. A world which we put our customers at the heart of.

Welcome to the world of Volvo Construction Equipment – we think you're going to like it here.

Working harder, working smarter

For over 180 years Volvo has been a pioneer in the design and manufacture of machines which set the standard for efficiency, performance and uptime. Across our range of excavators, wheel loaders and haulers, our reputation for engineering excellence is unrivalled, which means whatever your operation or application, we can provide a total fleet solution to help you succeed.

Building on our proud history, the Volvo Concept Lab continues to create cutting-edge ideas and innovative concepts, to ensure we offer customers machines which work harder and smarter long into the future.



Solutions for you

Our industry leading machines are just the start of your relationship with Volvo. As your partner, we have developed an extensive range of additional solutions to help you improve uptime, boost productivity and reduce costs.

Designed for your business

Structured across nine blocks, our portfolio of products and services are designed to complement your machine's performance and boost your profitability. Simply put, we offer some of the best guarantees, warranties and technological solutions in the industry today.

There when you need us

Whether you're buying new or used, our global network of dealers and technicians offer around-the-clock support, including machine monitoring and world-class parts availability. It's the basis of everything offered by Volvo Services, so you can be confident we've got you covered right from the start.

| | | |
|---|---|---|
|  Fuel Efficiency Services |  Productivity Services |  Safety Services |
|  Financial Services |  Uptime Services |  Rental Services |
|  Volvo Attachments |  Genuine Volvo Parts |  New life Services |

BUILDING TOMORROW



The perfect package

Built for the job

Specialized tasks require specialized equipment, which is why Volvo offers wheel loaders configured to meet the unique requirements of a wide range of applications. Our application specific wheel loaders are designed and built to ensure you achieve superior results according to the unique demands of the segment you are working in.

The right machine options, tires and attachments all combine to ensure our specially adapted wheel loaders deliver maximum safety and performance. As with all Volvo products you can trust in the full support and back-up of your Volvo dealer, and aftermarket Volvo solutions, for the lifetime of your machine.



Handle the heat

Introducing Volvo slag handlers

Steel mills are some of the harshest environments for both machine and operator, with conditions including extreme heat, toxic fumes and heavy dust. With a non-stop production process, not only are unplanned stoppages costly, they can also be extremely hazardous for the operator.

Working amongst these high-pressure demands means you need a slag handler you can depend on. The purpose-built Volvo Wheel Loader provides the reliability, heat proofing and thermal protection needed to succeed in this segment.

Absolute reliability

Dealing with extremely high temperatures takes a special kind of engineering. From unique guarding to heat-resistant components, the slag handling package enables our Volvo Wheel Loaders to meet the unique challenges of this application. Speak to your Volvo dealer, who will work with you to define the best machine configuration to suit the conditions of your application.



"We require machines that are fast, but most importantly dependable. To move the hot slag out, we get the help from our heavy Volvo machine."

Andrey Katrich,

Production engineer, INTERPIPE STEEL, Ukraine

Non-stop production

Volvo slag handlers are customized to guard against excessive heat radiation, with specially adapted components designed to ensure ultimate machine endurance and reliability. Features which reduce wear and increase component life include: heat-resistant fuel and oil lines, fire-protective material throughout, extensive guarding, as well as protection from slag explosions, falling objects and air-blown debris.



Safety first

Working in slag handling requires the most skilled and experienced operators and keeping them safe in the cab is of paramount importance. In addition to the many features enhancing operator comfort and safety you would expect to find on a Volvo Wheel Loader, the slag handler includes a number of additions to provide the highest levels of protection when working in high temperatures. Features include: heat-proof windows, bullet-proof windshield, and emergency limp home function. The exclusive Volvo cab-filtration system, which circulates 90% of cab air through the main filter, provides outstanding air quality.

Operator protection

Comfort and safety

Hot applications cab

- Steel roof
- Fire extinguisher
- All-around steel protection
- Rear view mirrors with long arm
- Flat, bullet proof windshield
- Cover plate

Emergency switch and P-brake release

Emergency limp home

Wire suspended cab ladder

Escape ladder (L220H - Option)



**Exclusive Volvo
cab-filtration system**

**Rear mounted
fire extinguisher**

**Fire Suppression
System (Option)**

**Towing device (Option)
or towing chain**

**Wire suspended
rear foot step**



*"The cabin is very comfortable, smooth and easy to operate,
so I don't get tired, even after a 12-hour shift."*

Oleksander Maksimovich,
Loader operator, INTERPIPE STEEL, Ukraine

Machine protection

Performance that lasts

Fire resistant
center hinge

Cover plate
for pressure outlet

Front frame
/axle protection

Fire protected tilt
/lift hoses

Linkage
protection



Slag bucket

Wheel/axle seal
guards

**Fire resistant
pre-cleaner**

**Center hinge
and rear frame guard**

**Reversible cooling fan
and axle oil cooler**

**Radiator grill
guard**

**Rear inner
fender protection**

**Belly
guards**

**Fire protected
mudflaps**

**Steel
mudguards**



*"The Volvo Wheel Loader fully met our expectations,
it works around the clock and all of them run smoothly."*

Sergey Blizno,

Transport repair man, INTERPIPE STEEL, Ukraine

Maximized performance

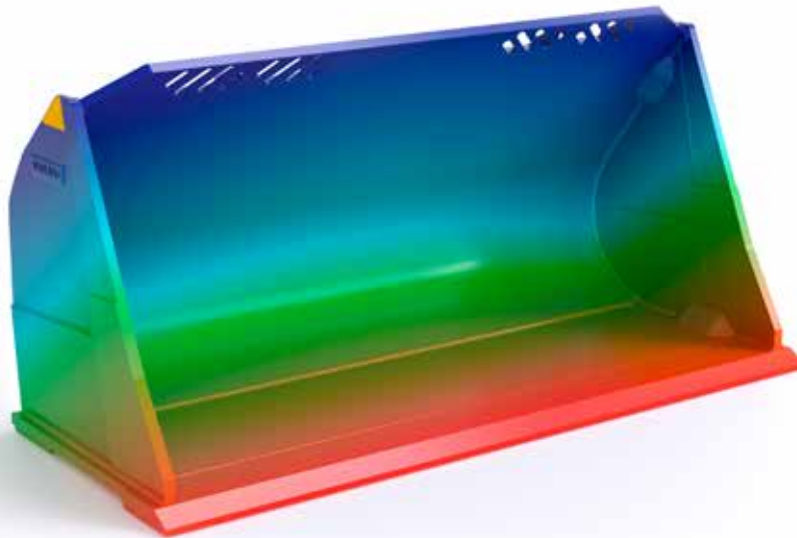
Only by using Volvo attachments can you be sure to get the most from your Volvo machine in terms of fuel efficiency and performance, and protect your investment in this tough application. Manufactured with a special focus on wear resistance, our buckets have been specially adapted to succeed in hot slag handling applications.

Volvo Slag bucket

The Volvo Slag bucket is the perfect choice when working in hot slag applications. Specially designed to rise to the challenge of steel mill environments, the bucket has been manufactured to withstand extremely high temperatures and abrasion.

Key features include:

- Heavy duty, thick floor plate with excellent wear resistance at high temperatures – protruding design protects the weld towards the side plates.
- Heavy-duty, heat-treated hardened edges.
- Reinforced bucket floor corners with welded steel plates.
- 80 mm single piece cutting edge made of high grade material to withstand the extreme environment.
- Divided side cutter, thicker on the lower end.
- Closed reinforced spillguard.
- Adapted digging depth to compensate for the use of tire chains.



Using the Slag bucket as a starting point, through our Custom Built Attachments program we can work with you to tailor the optimum bucket specification for your operation.



"We are extremely happy with the support we received from Volvo and the custom-built bucket they developed for us. The bucket is high quality, extremely durable and bring more stability and robustness to our operation compared to other buckets we have tried."

**Customer from Michigan,
USA**

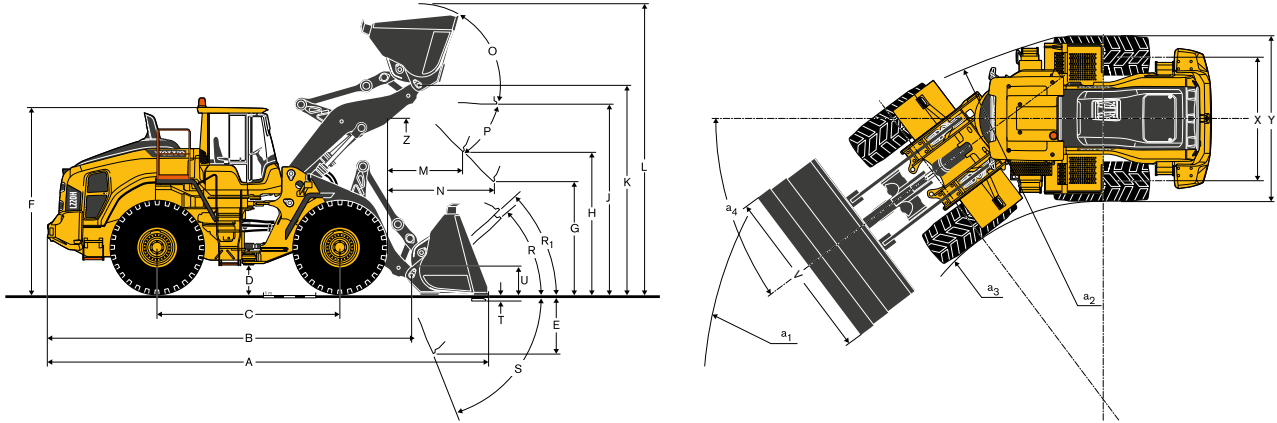
Configured for success

Built on a proven design, Volvo slag handlers include all the features and functions found on a standard Volvo Wheel Loader, combined with the additional protection needed to succeed in slag handling environments. In addition to the slag handling package, there are a number of other options we can offer which are beneficial in this application.

- Included in the Slag handling package
- * Included in machine's standard configuration
- o Optional equipment

| | VOLVO SLAG HANDLERS | | | | |
|---|---------------------|-------|-------|-------|-------|
| | L150H | L180H | L220H | L260H | L350H |
| Decal: Slag Handler | • | • | • | • | • |
| Cab | • | • | • | • | • |
| Steel cab roof | • | • | • | • | • |
| Fire extinguisher, 6kg | • | • | • | • | • |
| Outside steel protection | • | • | • | • | • |
| Rearview mirrors with long arm | • | • | • | • | • |
| Reinforced flat windshield | • | • | • | • | • |
| Under cab cover plate | • | • | • | • | • |
| Rear view camera, including color monitor | o | o | o | o | o |
| Reverse warning light, strobe lighting | o | o | o | o | o |
| Air pre-cleaner, cyclone type | | | o | o | o |
| Engine | | | | | |
| Heat resistant oil bath air pre-cleaner | • | • | • | • | o |
| Reversible cooling fan and axle oil cooler | • | • | • | • | • |
| Radiator grille guard | • | • | • | • | • |
| Heat resistant fuel hoses | o | o | o | o | o |
| Extra fuel filter for slag | o | o | o | o | o |
| Electrical systems | | | | | |
| Emergency switch, engine/P-brake release | • | • | • | • | • |
| Emergency limp home gear | • | • | • | • | • |
| Frame | | | | | |
| Protection under front frame | • | • | • | • | • |
| Heavy-duty front frame cover plate | • | • | • | • | • |
| Center hinge and rear frame guard | • | • | • | • | • |
| Belly guards (front/rear/rear oil pan) | • | • | • | • | • |
| Hydraulic systems | | | | | |
| Heat protected, tilt/lift hoses | • | • | • | • | • |
| Heat resistant hydraulic fluid | • | • | • | • | • |
| Exterior | | | | | |
| Cab ladder, with wire suspended foot step | • | • | • | • | • |
| Escape ladder on left fender | o | o | o | o | - |
| Heat resistant center hinge | • | • | • | • | • |
| Cover plates, front frame/front axle/for pressure outlet | • | • | • | • | • |
| Rear mounted fire extinguisher, 6kg | • | • | • | • | • |
| Wire suspended rear foot step | • | • | • | • | • |
| Heat protected front and rear mudflaps | • | • | • | • | • |
| Steel mudguard widener | • | • | • | • | • |
| Steel rear fender | • | • | • | • | •* |
| Rear inner fender protection | • | • | • | • | • |
| Tilt Cab unit protection | • | • | • | • | • |
| Handrail on Grill Guard | • | • | • | • | • |
| Air dryer unit protection | • | • | • | • | • |
| Towing chain | • | • | • | • | • |
| Towing device | o | o | o | o | o |
| If selected it will replace the Towing chain | | | | | |
| Wheel/Axle seal guards | • | • | • | • | • |
| Heavy-duty taillight guards | o | o | o | o | o |
| Loader linkage | | | | | |
| Protection, GDF-link (HIJ) | • | • | • | • | • |
| Protection, Z-linkage | | | | • | • |
| Heat resistant separate attachment locking | o | o | o | o | o |
| Long boom | o | o | o | o | o |
| Service and Maintenance | | | | | |
| Lube system for standard boom | o | o | o | o | o |
| Lube system for attachment bracket | o | o | o | o | o |
| Refill pump to lube system | o | o | o | o | o |
| Heat resistant lube system | o | o | o | o | • |
| Fire suppression system | o | o | o | o | o |

Specifications

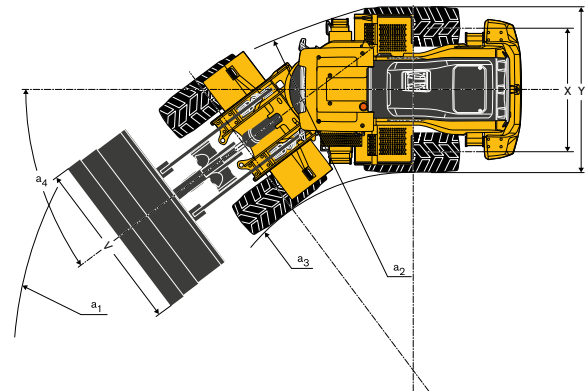
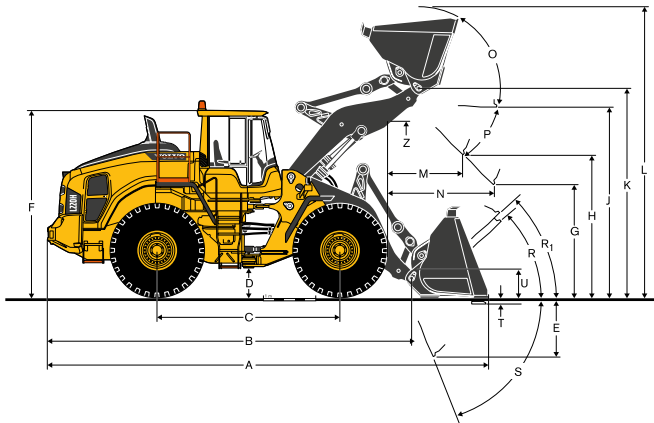


DIMENSIONS with Straight Edge (STE) Slag Buckets

| Machines | | L150H | L180H | L220H | L260H | L350H |
|--------------------------------|----------------|-------------------------------|-------------------------------|-------------------------------|-------------------------------|-------------------------------|
| Bucket | | 3.9 m ³ STE Slag P | 4.1 m ³ STE Slag P | 4.6 m ³ STE Slag P | 5.3 m ³ STE Slag P | 6.8 m ³ STE Slag P |
| Tires | | 26,5R25 L5 | | 29,5R25 L5 | | 35/65R33 L5 |
| Volume heaped ISO/SAE | m ³ | 3.9 | 4.1 | 4.6 | 5.3 | 6.8 |
| Volume at 110% fill factor | m ³ | 4.3 | 5.1 | 5.1 | 5.8 | 7.5 |
| Static tipping load, straight* | kg | 18 590 | 22 230 | 24 850 | 27 490 | 37 820 |
| at 35° turn* | kg | 16 490 | 19 650 | 21 970 | 24 390 | 33 580 |
| at full turn* | kg | 16 250 | 19 360 | 21 640 | 24 040 | 33 100 |
| Breakout force | kN | 203 | 243 | 251 | 327 | 456 |
| A | mm | 8 560 | 8 760 | 9 090 | 9 220 | 10 890 |
| B | mm | 7 060 | 7 200 | 7 490 | 7 600 | 9 140 |
| C | mm | 3 550 | 3 550 | 3 700 | 3 800 | 4 300 |
| D | mm | 510 | 510 | 560 | 560 | 530 |
| E | mm | 1 200 | 1 300 | 1 300 | 1 470 | 1 520 |
| F | mm | 3 610 | 3 610 | 3 750 | 3 760 | 4 170 |
| G | mm | 2 134 | 2 134 | 2 134 | 2 134 | 2 134 |
| H** | mm | 2 980 | 3 090 | 3 260 | 3 390 | 3 790 |
| J | mm | 3 930 | 4 070 | 4 260 | 4 380 | 4 920 |
| K | mm | 4 360 | 4 500 | 4 690 | 4 660 | 5 320 |
| L | mm | 5 850 | 6 020 | 6 250 | 6 430 | 7 200 |
| M** | mm | 1 060 | 1 100 | 1 190 | 1 460 | 1 610 |
| N** | mm | 1 620 | 1 740 | 1 870 | 2 070 | 2 430 |
| O | ° | 58 | 57 | 56 | 62 | 60 |
| P _{max} | ° | 45 | 46 | 43 | 39 | 43 |
| R | ° | 45 | 45 | 43 | 40 | 44 |
| R ₁ | ° | 48 | 48 | 47 | 47 | 49 |
| S | ° | 62 | 66 | 61 | 70 | 61 |
| T | mm | 85 | 120 | 95 | 90 | 125 |
| U | mm | 530 | 570 | 610 | 540 | 660 |
| V | mm | 3 230 | 3 230 | 3 430 | 3 580 | 3 970 |
| X | mm | 2 280 | 2 280 | 2 400 | 2 400 | 3 200 |
| Y | mm | 2 960 | 2 960 | 3 170 | 3 170 | 4 080 |
| Z | mm | 3 530 | 3 840 | 4 080 | 3 880 | 4 460 |
| a ₁ | mm | 14 870 | 14 990 | 15 750 | 16 130 | 18 240 |
| a ₂ | mm | 6 790 | 6 790 | 7 110 | 7 260 | 8 460 |
| a ₃ | mm | 3 820 | 3 820 | 3 950 | 4 100 | 4 390 |
| a ₄ | ±° | 37 | 37 | 37 | 37 | 37 |
| Operating weight* | kg | 28 250 | 30 960 | 35 790 | 36 510 | 54 080 |

* Calculated with protective parts such as radiator grill guard, towing device, belly guards, etc.

** Measured to the tip of the bucket teeth. Dump height to bucket edge measured at 45° dump angle. Note: This only applies to genuine Volvo Attachments.



DIMENSIONS with Spade Nose (SPN) Slag Buckets

| Machines | | L150H | L180H | L220H | L350H |
|--------------------------------|----------------|-------------------------------|-------------------------------|-------------------------------|-------------------------------|
| Bucket | | 3.9 m ³ SPN Slag P | 4.1 m ³ SPN Slag P | 4.6 m ³ SPN Slag P | 6.8 m ³ SPN Slag P |
| Tires | | 26,5R25 L5 | | 29,5R25 L5 | 35/65R33 L5 |
| Volume heaped ISO/SAE | m ³ | 3.9 | 4.1 | 4.6 | 6.8 |
| Volume at 110% fill factor | m ³ | 4.3 | 4.5 | 5.1 | 7.5 |
| Static tipping load, straight* | kg | 18 030 | 21 660 | 24 100 | 36 770 |
| at 35° turn* | kg | 15 930 | 19 080 | 21 230 | 32 550 |
| at full turn* | kg | 15 690 | 18 790 | 20 900 | 32 070 |
| Breakout force | kN | 168 | 202 | 207 | 372 |
| A | mm | 8 860 | 9 070 | 9 420 | 11 280 |
| B | mm | 7 060 | 7 200 | 7 490 | 9 140 |
| C | mm | 3 550 | 3 550 | 3 700 | 4 300 |
| D | mm | 500 | 5 10 | 5 50 | 5 30 |
| E | mm | 1 470 | 1 570 | 1 590 | 1 860 |
| F | mm | 3 600 | 3 610 | 3 750 | 4 170 |
| G | mm | 2 134 | 2 134 | 2 134 | 2 134 |
| H** | mm | 2 760 | 2 870 | 3 030 | 3 530 |
| J | mm | 3 930 | 4 060 | 4 250 | 4 920 |
| K | mm | 4 360 | 4 490 | 4 680 | 5 320 |
| L | mm | 5 840 | 6 020 | 6 250 | 7 190 |
| M** | mm | 1 270 | 1 310 | 1 430 | 1 890 |
| N** | mm | 1 730 | 1 850 | 2 000 | 2 620 |
| O | ° | 58 | 57 | 56 | 60 |
| P _{max} | ° | 45 | 46 | 43 | 43 |
| R | ° | 45 | 48 | 47 | 49 |
| R ₁ | ° | 62 | 66 | 61 | 61 |
| S | ° | 62 | 66 | 61 | 61 |
| T | mm | 90 | 120 | 100 | 130 |
| U | mm | 530 | 570 | 610 | 66 0 |
| V | mm | 3 230 | 3 230 | 3 430 | 3 970 |
| X | mm | 2 280 | 2 280 | 2 400 | 3 200 |
| Y | mm | 2 960 | 2 960 | 3 170 | 4 080 |
| Z | mm | 3 530 | 3 830 | 4 070 | 4 460 |
| a ₁ | mm | 15 020 | 15 150 | 15 930 | 18 440 |
| a ₂ | mm | 6 790 | 6 790 | 7 110 | 8 460 |
| a ₃ | mm | 3 820 | 3 820 | 3 950 | 4 390 |
| a ₄ | ° | 37 | 37 | 37 | 37 |
| Operating weight* | kg | 28 620 | 31 340 | 36 270 | 54 690 |

* Calculated with protective parts such as radiator grill guard, towing device, belly guards, etc.

** Measured to the tip of the bucket teeth. Dump height to bucket edge measured at 45° dump angle. Note: This only applies to genuine Volvo Attachments.

Not all products are available in all markets. Under our policy of continuous improvement, we reserve the right to change specifications and design without prior notice. The illustrations do not necessarily show the standard version of the machine.

More than machines

Engineering machines which deliver outstanding results is just the start of how we can support your operation. As your partner we are here to help with every aspect of your Volvo machinery: how you use it, maintain it, pay for it and even how you sell it. Our portfolio of services is designed to complement your machine's performance and boost your profitability.



Genuine Volvo Parts

Maintain productivity and machine uptime with our range of readily available, tested and approved parts – all backed by Volvo warranty. Only by using Genuine Volvo Parts, can you protect your investment, extend machine life and guarantee long-lasting performance.

Active Care

Maximize machine uptime and reduce repair costs with ActiveCare. Utilizing CareTrack data, the intelligent service provides round the clock machine monitoring, as well as customer reports – to help take predictive and preventative maintenance actions.



Maintenance and repair agreements

Stay on track with planned servicing and keep your asset covered with our range of flexible maintenance and repair options.

Financial Services

Volvo knows business finance – and our team of experts are dedicated to helping you succeed. With flexible financial and insurance solutions, we can help grow and protect your business. From a single unit to an entire fleet, new or used, we'll customize a solution to meet your needs.



VOLVO





KEEP IT IN THE FAMILY

In addition to slag handlers, Volvo is proud to provide an extensive portfolio of machines and solutions to slag handling applications. Throughout our machinery line-up we are committed to producing machines which deliver outstanding results in this demanding segment.

V O L V O