

Volvo Construction Equipment
Building Tomorrow



WHEEL LOADERS IN BLOCK HANDLING

L150H, L180H, L220H, L350H





WELCOME TO OUR WORLD

Welcome to a world of industry leading machinery. A world where imagination, hard work and technological innovation will lead the way towards developing a future which is cleaner, smarter, and more connected. A world supported by the enduring values of the Volvo Group. A world of stability, sustainability and innovation. A world which we put our customers at the heart of.

Welcome to the world of Volvo Construction Equipment – we think you're going to like it here.

Working harder, working smarter

For over 180 years Volvo has been a pioneer in the design and manufacture of machines which set the standard for efficiency, performance and uptime. Across our range of excavators, wheel loaders and haulers, our reputation for engineering excellence is unrivalled, which means whatever your operation or application, we can provide a total fleet solution to help you succeed.

Building on our proud history, the Volvo Concept Lab continues to create cutting-edge ideas and innovative concepts, to ensure we offer customers machines which work harder and smarter long into the future.



Solutions for you

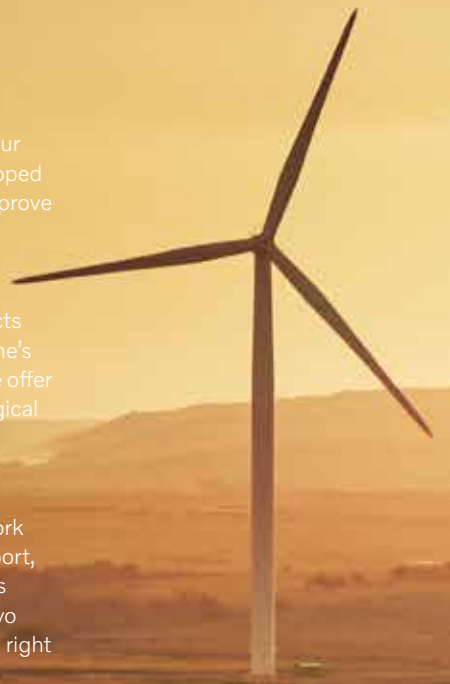
Our industry leading machines are just the start of your relationship with Volvo. As your partner, we have developed an extensive range of additional solutions to help you improve uptime, boost productivity and reduce costs.

Designed for your business

Structured across nine blocks, our portfolio of products and services are designed to complement your machine's performance and boost your profitability. Simply put, we offer some of the best guarantees, warranties and technological solutions in the industry today.

There when you need us

Whether you're buying new or used, our global network of dealers and technicians offer around-the-clock support, including machine monitoring and world-class parts availability. It's the basis of everything offered by Volvo Services, so you can be confident we've got you covered right from the start.



BUILDING TOMORROW



The perfect package

Built for the job

Specialized tasks require specialized equipment, which is why Volvo offers wheel loaders configured to meet the unique requirements of a wide range of applications. Our application specific wheel loaders are designed and built to ensure you achieve superior results according to the unique demands of the segment you are working in.

The right machine options, tires and attachments all combine to ensure our specially adapted wheel loaders deliver maximum safety and performance. As with all Volvo products you can trust in the full support and back-up of your Volvo dealer, and aftermarket Volvo solutions, for the lifetime of your machine.



Heavyweight champion

Introducing Volvo block handlers

Built on decades of experience providing solutions to quarry, mining and aggregate industries, we present our line-up of Volvo Wheel Loaders, tailored for block handling applications. Our range of block handlers combine our extensive knowledge with customer feedback, to create a machine which rises to the challenge of this demanding segment.

From the rigors of lifting and carrying heavyweight blocks all day, to the wet, steep and rocky ground, our machines have been adapted to deliver maximum performance in these tough conditions. The heavy-duty Volvo Wheel Loader has been configured for optimum results in block handling applications; hour-after-hour – shift-after-shift.

Built for the quarry

Every element of a Volvo block handler has been engineered to make it your perfect partner when working in demanding quarry environments. From the powertrain, linkage and counterweight, to the tires, attachments and cab, everything is designed to deliver long-lasting performance in block handling applications.



Durable by design

Specially adapted to deliver outstanding uptime and reliability, the machine frame, lift arm mechanism and tires are designed to absorb high load stresses and provide enhanced robustness.

A heavy lifter

The Volvo block handler delivers the lifting force and stability needed to carry blocks weighing up to 50 tonnes. The optimized counterweight, lift cylinders and all-Volvo powertrain combine to provide superior tipping load capacity, high rimpull and excellent traction. The lock-up torque converter reduces cycles times and fuel consumption, and you can count on the outstanding Volvo braking system.





A versatile performer

The highly compact and agile Volvo block handler features a short overhang for improved maneuverability in confined environments. The roll back angle keeps the load close to the front axle in carry position, which allows the machine to carry heavier loads. What's more, with the Volvo attachment bracket you can switch between work tools in seconds, and secure maximum tipping load capacity.

Comfortably productive

Designed to keep operators fresh and working their best, the industry-renowned Volvo cab offers a spacious and quiet environment, with customizable operator settings. Air-quality is extremely clean thanks to the exclusive Volvo cab-filtration system, which circulates 90% of cab air through the main filter. For a smooth ride and efficient block management, the Boom Suspension System absorbs shocks and reduces machine bounce, while the Comfort Drive Control lets the operators steer the machine from a single lever.

Safety first

The block handler continues the Volvo reputation for industry-leading safety standards. Key features include ROPS/FOPS certified cab, external seatbelt indicator, anti-slip surfaces, high-visibility handrails, and easy servicing.



L350H block handler

Standard-duty or heavy-duty version

Z-bar lifting arm with double sealing on each pin

Larger lift cylinders

Increased hydraulic pressure for extra lifting capacity – heavy-duty version

Excellent roll back angle, up to 44°

Separate attachment locking

Boom Suspension System

Attachment bracket, connecting to a range of Volvo attachments

Lock-up torque converter

Maintenance-free axle trunnions

Axles are cooled with forced oil circulation



External seatbelt indicator

Comfort Drive Control, lever steering

High rimpull Volvo powertrain, rimpull control

Block handling counterweight – standard-duty or heavy-duty

Short overhang

Reversible cooling fan

Brake wear indicators

Strong frame and central hinge

Heavy-duty wheel rims

65-series type tires



“The Volvo L350H block handler has certainly met our expectations. The power is unbelievable and in terms of fuel, it’s consuming less than other machines we have. The engine brake, for use when going downhill with heavy marble blocks, is a real plus too.”

Ottavio Baisi, President, COOPERATIVA APUANA MARMI, Italy

L150H, L180H, L220H block handlers

Tiltable cab

Larger lift
cylinders

Torque Parallel linkage with
double sealing on each pin

Excellent roll back
angle, up to 44°

Separate
attachment locking

100% differential
locks on front axles

Boom Suspension
System

Attachment bracket,
connecting to a range
of Volvo attachments

Maintenance-free
axle trunnions

Axles are cooled with
forced oil circulation





Comfort Drive Control,
lever steering

External seatbelt
indicator

High rimpull Volvo powertrain,
rimpull control

Block handling
counterweight

Short overhang

Reversible
cooling fan

Brake wear
indicators

Strong frame and
central hinge

65-series
type tires

Lock-up torque
converter



*"Taking 27 tonne blocks from the quarry floor to the loading area is not a problem with the L220H."
Giuseppe Sanna, Director of Production, MARMÍ DAINO REAL, Italy*

Do more

Only by using Volvo attachments can you be sure to get the most from your Volvo machine in terms of fuel efficiency and optimum lifting and break-out forces. Volvo offer a full attachment range engineered to deliver outstanding durability in quarry environments.

More information can be found in the Attachments brochure, or in the Attachments selector tool, available for IOS on App store, for Android on Play Store and China Android Store.

Breaker tine



Rake



Rock bucket – Spade nose or straight edge



Stone fork



Block fork



Block handler bucket



Design applies to L350H

Attachment bracket

First introduced by Volvo in 1954, the ISO standardized attachment bracket enables quick, easy and safe switching between attachments.

Custom-Built Attachments

When your operation requires a unique attachment design, then a custom-built attachment could be the answer. Receive support and tailored advice from your Volvo dealer and our in-house attachments specialist to help you define the right attachment specification for you.



“The versatility of the Volvo L220H is hugely beneficial. We can work with forks to carry the marble blocks or with a rock bucket to clean up the quarry and the quick hitch coupler means changing attachments is done in a matter of seconds.”

Customer in Sardinia, Italy

Configured for success

Volvo block handlers include all the features and functions found on a standard Volvo Wheel Loader, combined with the specialist equipment needed to succeed in block handling. In addition to the block handling package, there are a number of other options we can offer which are beneficial in this application.

•* Included in standard machine configuration

• Included in the Block handling package

o Optional equipment

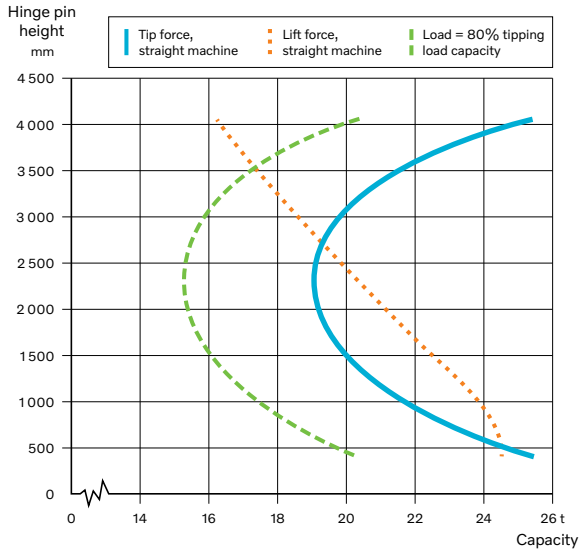
	VOLVO BLOCK HANDLERS				
	L150H	L180H	L220H	L350H	
				Standard-duty	Heavy-duty
Block Handler decal	•	•	•	•	•
Block handler lift cylinder				•	•
Block handler extra lift capacity					•
Block handling counterweight	•	•	•	•	
Block handling counterweight, heavy-duty					•
Reversible cooling fan	•	•	•	•	•
Attachment bracket	•	•	•	•	•
Separate attachment locking	•	•	•	•	•
External seatbelt indicator	•	•	•	•	•
Boom Suspension System	•	•	•	•	•
Comfort Drive Control	o	o	o	•*	•*
Lube system	o	o	o	o	o
Refill pump for grease to lube system	o	o	o	o	o
Lube system for attachment bracket	o	o	o	o	o
Engine brake (applies to Stage V machines)				o	o
External oil cooling for axles and brakes	o	o	o	o	o



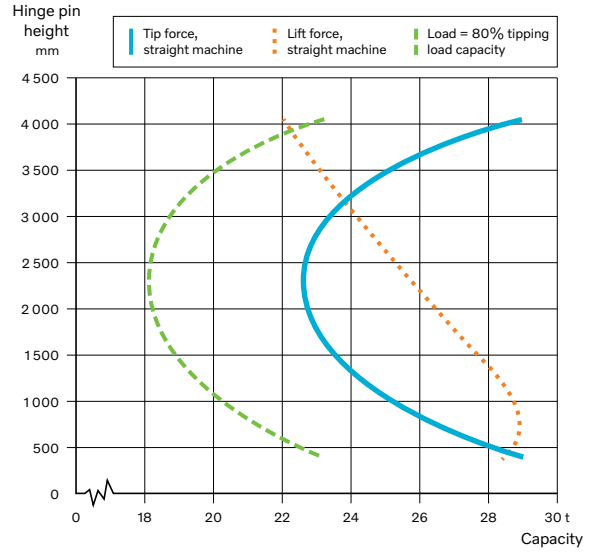
“From the moment the operator closes the cab door, he can hardly hear the motor and so is able to really concentrate on his work.”
Pierre Laplace, CEO at SAS CARRIERES LAPLACE, France

Specifications

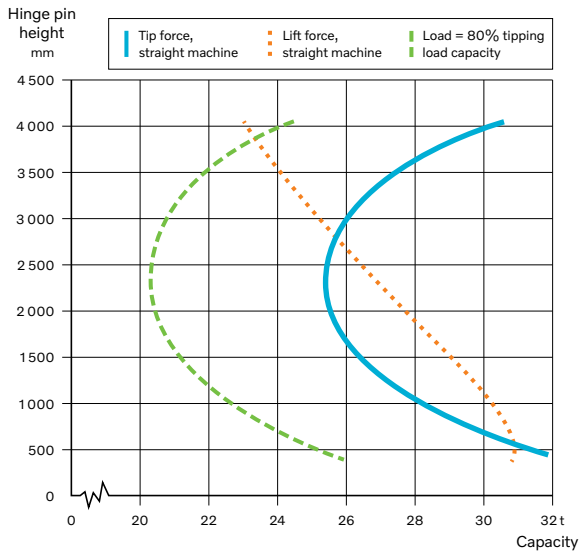
L150H



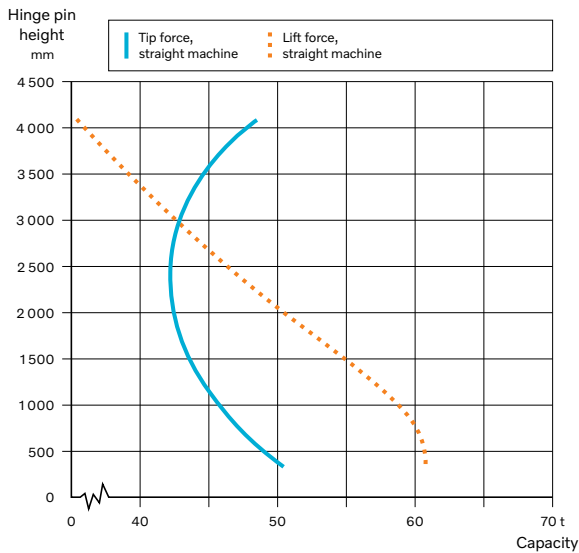
L180H



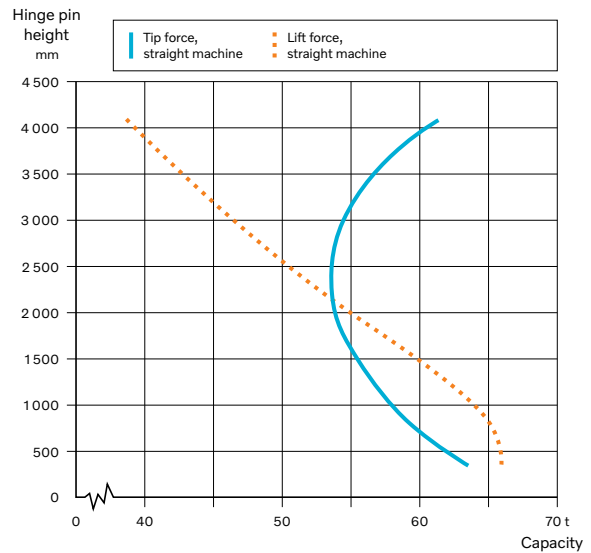
L220H

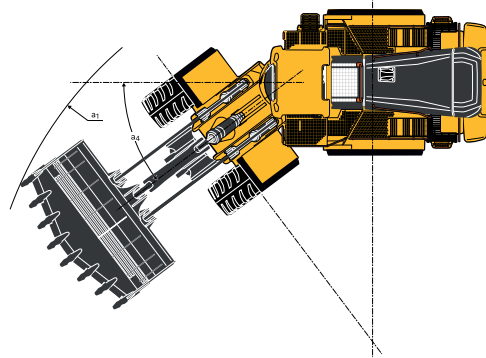
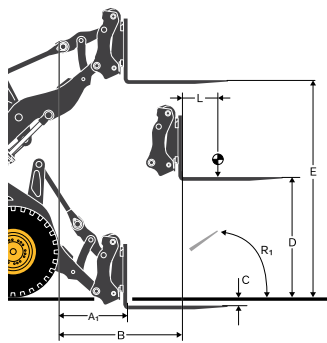
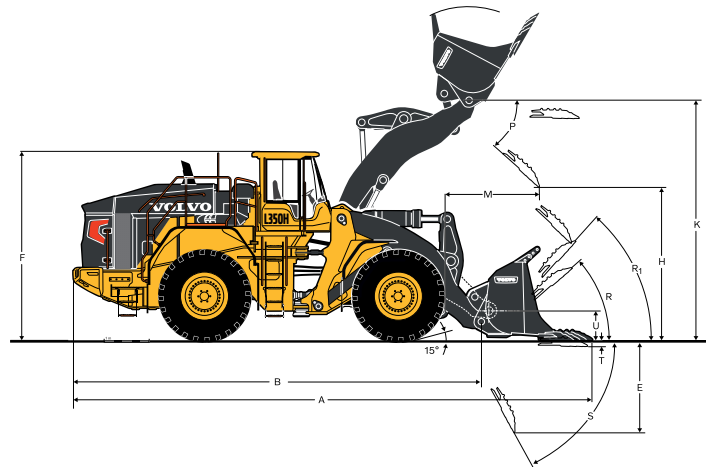


L350H Standard-duty



L350H Heavy-duty





Equipped with block forks		L150H	L180H	L220H	L350H Standard-duty	L350H Heavy-duty
Overall length	mm	9 125	9 260	9 615	11 320	11 520
A ₁ Reach at min. lift	mm	970	1 065	1 140	1 180	1 180
B Reach at tipping position	mm	1 740	1 830	1 905	2 035	2 035
C Height at min. lift	mm	-36	11	-18	132	127
D Height at tipping position	mm	2 020	2 010	2 090	2 285	2 290
E Height at max. lift	mm	4 050	4 180	4 370	4 650	4 650
L Load centre distance	mm	900	900	900	900	900
R ₁ Max. rollback angle in carrying position	°	39	39	38	37	37
Optional counterweight	kg	1 140	1 140	1 515	2 425	7 770
Operating weight (without load)	kg	26 230	28 830	34 040	53 220	58 560

Equipped with spade nose rock bucket		Pin on 3.5 m ³	Hook on 4.2 m ³	Hook on 4.5 m ³	Hook on 6.3 m ³	Hook on 6.3 m ³
A Overall length	mm	8 880	9 290	9 755	11 710	11 915
a ₁ Clearance circle	mm	15 040	15 280	16 130	18 770	18 770
a ₄ Max. articulation angle	°	37	37	37	37	37
B Overall length w/o bucket / attach. bracket	mm	7 060	7 200	7 490	9 135	9 335
E Digging depth, max dump (S)	mm	480	1 770	1 875	2 150	2 155
H Dump clearance	mm	2 840	2 810	2 920	3 080	3 075
K Max lifting arm height	mm	4 370	4 500	4 690	5 075	5 070
M Dump reach	mm	1 415	1 590	1 800	2 540	2 540
P Max. possible forward dump angle at K (max. HPH)	°	49,5	49,5	43	47	47
R Max. rollback angle at ground level	°	44,5	44,5	43	41	41
R ₁ Max. rollback angle in carrying position	°	47	47	45,5	44,5	44,5
S Max. forward dump angle at lowest lifting arm position	°	65	71	65,5	63	63
T Digging depth	mm	75	130	120	140	140
U Hinge pin height in carrying position	mm	530	530	555	623	620
Bucket width	mm	3 230	3 230	3 430	3 960	3 960

More than machines

Engineering machines which deliver outstanding results is just the start of how we can support your operation. As your partner we are here to help with every aspect of your Volvo machinery: how you use it, maintain it, pay for it and even how you sell it. Our portfolio of services is designed to complement your machine's performance and boost your profitability.



Genuine Volvo Parts

Maintain productivity and machine uptime with our range of readily available, tested and approved parts – all backed by Volvo warranty. Only by using Genuine Volvo Parts, can you protect your investment, extend machine life and guarantee long-lasting performance.

ActiveCare Direct

Maximize machine uptime and reduce repair costs with ActiveCare Direct. Utilizing CareTrack data, the intelligent service provides round the clock machine monitoring, as well as customer reports – to help take predictive and preventative maintenance actions.



“All the parts used for service and repair are Genuine Volvo Parts, which results in the machine's efficiency and low fuel consumption.”
Joseph Titus Glover, CEO, JUSTMOH GROUP, Ghana



Maintenance and repair agreements

Stay on track with planned servicing and keep your asset covered with our range of flexible maintenance and repair options.

Financial Services

Volvo knows business finance – and our team of experts are dedicated to helping you succeed. With flexible financial and insurance solutions, we can help grow and protect your business. From a single unit to an entire fleet, new or used, we'll customize a solution to meet your needs.



*"A key aspect for us is the dealer coverage throughout Italy and we've developed great relationships with Volvo technicians and staff."
Ottavio Baisi, President, COOPERATIVA APUANA MARMI, Italy*



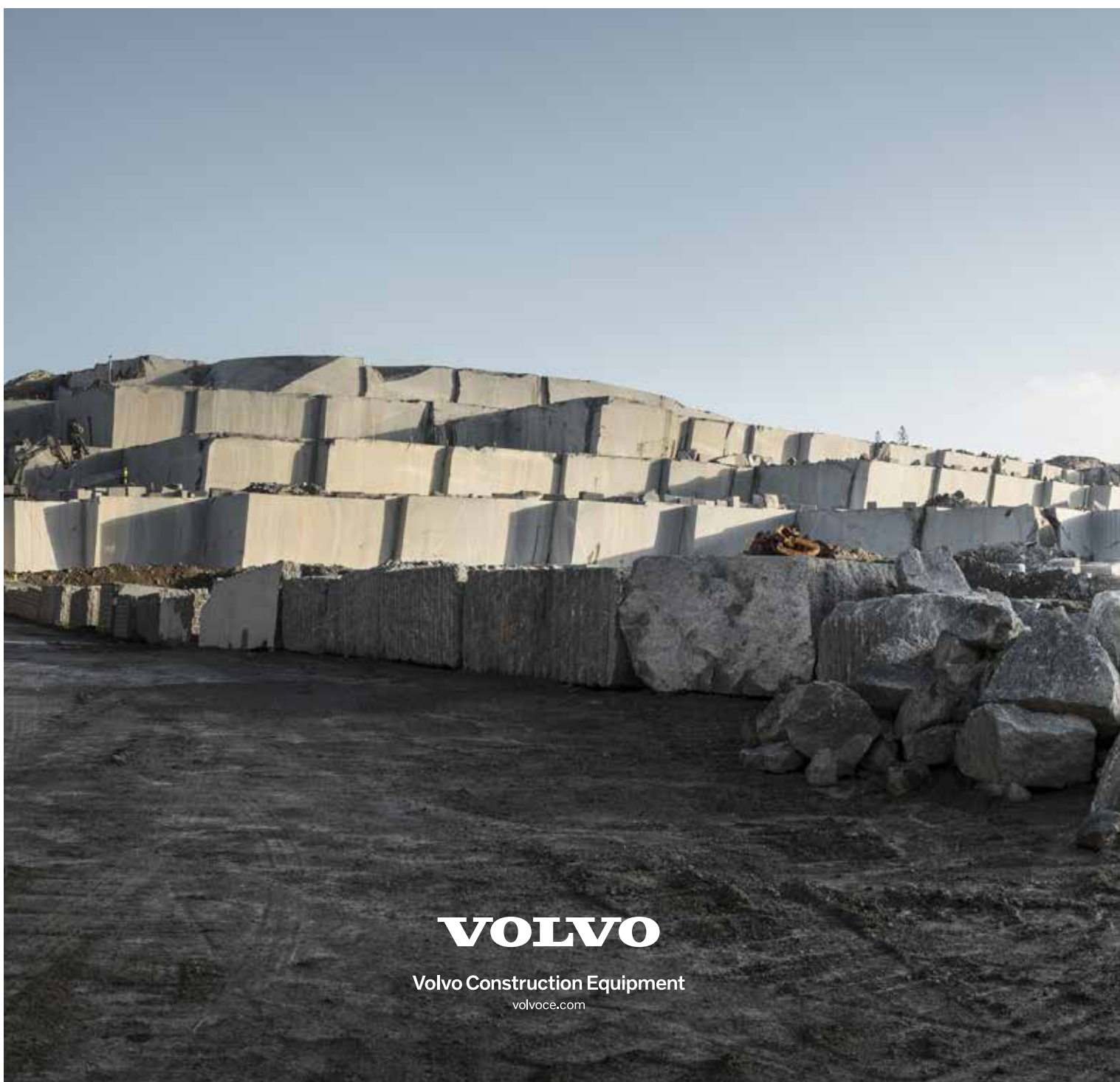


Keep it in the family

In addition to wheel loaders, Volvo is proud to provide an extensive portfolio of solutions to quarry, mining and aggregate industries. Throughout our machinery line-up we are committed to producing machines which deliver outstanding results in block handling.



“With the L350H block handling wheel loader and 40-ton excavator from Volvo, we have been able to greatly improve the quality of our work.”
Emilio Buonasera, Vice president, LUANA MARMI, Italy



VOLVO

Volvo Construction Equipment
volvoce.com