

Volvo Construction Equipment
Building Tomorrow



EW160E

Volvo Excavators 16.2-18.2 t / 35,715-40,124 lb 154 hp



A passion for performance

At Volvo Construction Equipment, we're not just coming along for the ride. Developing products and services that raise productivity – we are confident we can lower costs and increase profits for customers around the globe. Part of the Volvo Group, we are passionate about innovative solutions to help you work smarter – not harder.

Helping you to do more

Doing more with less is a trademark of Volvo Construction Equipment. High productivity has long been married to low energy consumption, ease of use and durability. When it comes to lowering life-cycle costs, Volvo is in a class of its own.

Designed to fit your needs

There is a lot riding on creating solutions that are suited to the particular needs of different industry applications. Innovation often involves high technology – but it doesn't always have to. Some of our best ideas have been simple, based on a clear and deep understanding of our customers' working lives.



You learn a lot in 180 years

Over the years, Volvo has advanced solutions that have revolutionized the use of construction equipment. No other name speaks Safety louder than Volvo. Protecting operators, those around them and minimizing our environmental impact are traditional values that continue to shape our product design philosophy.

We're on your side

We back the Volvo brand with the best people. Volvo is truly a global enterprise, one that is on standby to support customers quickly and efficiently – wherever they are.

We have a passion for performance.

A strong, dedicated, capable dealer network

Our dealers are strategically located throughout North America to provide the equipment you need and the parts and service support you demand for a productive and profitable operation.

The strength of our dealer network is enhanced with extensive individualized product support training at our best-in-class Customer Center in Shippensburg and through hands-on training. Using a great Product Demonstration Center featuring a dedicated area for most common applications, visitors operate equipment from our entire product line under a variety of simulated working conditions. This facility is in year-round use by our dealers and customers.

Building the best starts right here.

The products designed and manufactured by Volvo Construction Equipment have their beginnings at the most advanced Research & Design centers in the industry. Volvo CE machines are designed in 11 R&D centers and produced in 15 manufacturing facilities across the world.

The major R&D center and manufacturing plant in the Americas is located in Shippensburg, Pennsylvania. This facility has been in operation for over 30 years and – with its recently added 200,000 sq. ft. expansion – now covers 570,000 sq. ft. on an 80 acre campus. Dedicated work teams and highly advanced technologies and techniques using the Volvo Production System ensure continuous quality improvements, labor savings and cost control to reach the high quality that our customers have come to expect from Volvo.





Volvo Trucks



Renault Trucks



Mack Trucks



UD Trucks



Volvo Buses



Volvo Construction Equipment



Volvo Penta



Volvo Financial Services

A vision of versatility

Made in Germany, the Volvo EW160E wheeled excavator is an efficient and versatile machine that can make your life easier on the job site as well as increase productivity. Take all your tools with you in one trip and avoid any unnecessary travelling.

Work modes

The E-Series Wheeled Excavators feature four work modes combined with three travel speeds. In total 12 different combinations to be chosen to provide optimum performance and improved fuel efficiency.



Breaker/shear (X1) and tilt/rotate (X3) management

Increase your wheeled excavator versatility with optional hydraulics functions X1 breaker/shear and X3 tilt/rotate. X1 function utilizes the main system hydraulic flow to operate attachments requiring one or two way flow whereas X3 function provides an appropriate two way flow for tilting or rotating attachments.



Drawer type tool box

This newly developed and unique concept has been tested to carry up to 120kg / 265lb. Due to the smooth sliding action, it's much easier for the operator to pull out chains using the machine or other equipment manually without having to bend over or strain their body. Because it acts as a slide-out drawer, items are more visible so you can check and adjust your toolbox content much easier. A mechanical stopper has been added to prevent it from sliding out of the machine and the box dividers can be adjusted into five different positions.





TRAILER HITCH

For maximum versatility and productivity, take all your tools to the jobsite in one trip. The trailer hitch is attached to your wheeled excavator approved for road homologation so that you can transport tools and attachments to and from your jobsite with ease.



CAB

Volvo's industry-leading cab provides excellent visibility that is crucial for operator comfort, control and safety on your jobsite. The spacious cab, with ample storage, leg room, easy to access controls and an optional luxury seat increases operator productivity and reduces fatigue. The cab's view to the right has also been made clearer.

Operate in style

To ensure comfort and productivity, operating the EW160E has been designed with easy operation in mind. The cab, HMI and luxuries like climate control all contribute to a happier and more comfortable operator for increased uptime.

HMI

All machine interfaces – including the joysticks, keypad and LCD monitor – are ergonomically positioned and designed for optimum control and efficiency. For operator convenience and ease of use, the number of switches has been significantly reduced.



In cab fluid check

As soon as you start up your machine it checks all fluid levels on board, including engine oil and hydraulic fluid. The machine's electronic display will tell the operator if any fluids need attention, keeping the machine running at its best and free from any unscheduled downtime.

ROPS

The Volvo cab features Roll Over Protective Structure (ROPS) safety certification, which provides more operator safety and peace-of-mind when operating in tough environments. It also provides greater ergonomic comfort leading to reduced fatigue and increased productivity.



Fuel filler pump

The fuel filler electric pump can deliver 50 liters / 13 gallons of fuel per minute for easy and clean filling of the fuel tank from ground level. It is conveniently located next to the fuel tank.



Control with confidence

It's not just being comfortable in the machine that is important – confidence while operating is also a key element in ensuring productivity. The EW160E wheeled excavator is equipped with the latest features to make an operator feel safe and in control of the machine at all times.

New hydraulic system

The improved hydraulic system allows maximum utilization of available engine power regardless of the application, increasing controllability and responsiveness of operations. This results in higher operator efficiency and safer controlled movement.



Tractive force

Built to last, Volvo's durable wheeled excavator undercarriage is built for tough work. Travelling on inclines or difficult terrain is easy thanks to increased tractive force.



Volvo Smart View

Three cameras attached to different corners of the machine – the front, side and back – create a bird's eye view of the machine operating from above. The cameras also provide individual views of the front, side and back of the machine so you can see all angles and ensure safe rotation. This intelligent and industry leading technology offers a 360° view of real footage happening in real time.





BOOM SUSPENSION SYSTEM

The Boom Suspension System improves operator comfort and allows for faster travel over bumpy roads or rough terrain. It provides a dampening effect thanks to a hydraulic circuit complete with gas pressure dampers. The system ensures the operator has more control while travelling at high speeds.



FLEXIBLE CONFIGURATIONS

Depending on your market and application, make the EW160E wheeled excavator perfect for your jobsite with flexible configurations. Tailor your machine to your precise specifications and get it delivered straight from the factory.

Flex your features

The EW160E wheeled excavator can be tailored to your precise specifications to suit any jobsite. With a whole range of flexible configurations you can change attachments easily and add on useful features.

Undercarriage – with or without trailer hook

Volvo's built to last undercarriage is available with a trailer hook for added convenience. Volvo offers the machine with a hitch so you can pull trailers up to 8 tonnes / 17,637 pounds with dry run brakes and 3 tonnes / 6,614 pounds without brakes.



Tyres

Choose from a wide range of high quality tyres to best suit your jobsite, including single and twin tyres. Depending on ground conditions, Volvo offers 12 different configurations of tyres from eight different suppliers.



Arm/grapple system

Expand your working scope with a wide range of boom and arm options. The different arm lengths can be chosen according to jobsite requirements and market legislation. The grapple manoeuvre connection allows the exchange of tools. Instead of going to the cylinder, the oil is redirected directly to the attachment which enables the operator to steer the attachment with the right hand joystick.



Fuelling reliable and efficient operations

For maximum efficiency and reliability, the EW160E features Volvo's most powerful Tier 4 Final engine. The machine has also been designed and rigorously tested to reduce fuel consumption and increase your productivity.

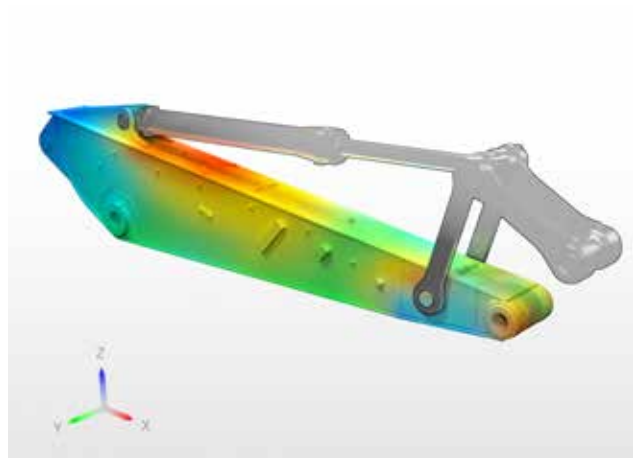
ECO mode

For increased fuel efficiency ECO mode turns on automatically, which reduces your fuel consumption while maintaining productivity.



Design and testing

The Volvo EW160E wheeled excavator has been designed and tested to ensure the highest standard of reliability and efficiency. Components, systems and technology work together to increase machine life and productivity.



Robust axles

The robust excavator axles with automatic or operator controlled front axle oscillation are highly durable and made to last for increased wear and component life.



Ground clearance

The undercarriage protects itself with high ground clearance and is strong enough to endure hard ground and tough surface conditions.





ENGINE

Volvo's wheeled excavators with Tier 4 Final engines are powerful and efficient, designed to reduce fuel consumption and increase your productivity. With advanced technology, save your business time and cost.



HYDRAULICALLY ELEVATED CAB

The hydraulically elevated Volvo Care Cab lifts the operator up to five meters above the ground at eye level, providing a wider field of vision to the entire job site for more productivity and safety.

No downtime to waste

Specifically for waste handling applications, the EW160E can be equipped with excellent features to ensure maximum productivity and durability on site. This tough environment can be counteracted with a EW160E excavator.

Waste handling package

A combination of three features, including the cyclonic engine precleaner, screened ventilation covers with additional sealing around side doors and reversible cooling fans all make waste handling more comfortable for the operator.



Special grab arms

Special grab arms for attachments (such as sorting grapples) don't require the use of a bucket cylinder. To operate these attachments, the bucket control function is used to open and close the grapple.

Solid rubber tyres

The solid rubber tyres are designed to meet the most demanding requirements and are manufactured using the latest construction techniques, to offer the industry's most durable, versatile and longlasting resilient tire.



Wide axles – 2.75 m / 9'0"

For better side stability the EW160E is optionally equipped with 2.75 / 9'0" m axles. The blade will automatically be 2.75 / 9'0" m wide, but the outriggers, however, are the same with wide or standard axles.



Configure your perfect excavator

TRAILER HITCH

For maximum versatility and productivity, take all your tools to the jobsite in one trip.

Mono boom, two piece boom and/or two-piece off set boom

A wide range of boom options and arm lengths can be chosen according to jobsite requirements and market legislation.

New hydraulic system

The improved hydraulics system allows maximum utilization of available engine power regardless of the application, increasing controllability and responsiveness of operation.

Auto greasing

This optional feature supplies the correct amount of lubrication to all greasing points on a timed basis for reduced costs.

FLEXIBLE CONFIGURATIONS

Depending on your market and application, make the EW160E wheeled excavator perfect for your jobsite with a range of flexible configurations.

Made in Germany

Designed, made and tested in Germany, the EW160E wheeled excavator is perfect for use anywhere in the world.



BOOM SUSPENSION SYSTEM

The Boom Suspension System improves operator comfort and allows for faster travel over bumpy roads or rough terrain.

Volvo Smart View

Three cameras attached to different corners of the machine – the front, side and back – create a bird's eye view of the machine operating from above.

Rear and side view camera

The rear and side view camera are fitted to the machine so that the operator can see different angles around the machine on a display monitor.



CAB

Volvo's industry-leading cab provides excellent visibility that is crucial for operator comfort, control and safety on your jobsite.

HYDRAULICALLY ELEVATED CAB

The hydraulically elevated Volvo Care Cab lifts the operator by five meters above the ground at eye level for increased visibility.

ENGINE

Volvo's wheeled excavators with Tier 4 Final engines are powerful and fuel efficient.

ECO mode

For increased fuel efficiency ECO mode turns on automatically, which reduces your fuel consumption while maintaining productivity.

Diesel Exhaust Fluid (DEF)

Volvo offers a total DEF solution that is quality assured, cost efficient and easily accessible. Contact your Volvo dealer for more information.

Heavy counterweight

A heavier counterweight for increased stability is available when using bulky attachments.



MATCHED ATTACHMENTS

Volvo's durable attachments have been purpose-built to work in perfect harmony with Volvo machines, forming one solid, reliable unit. With functions and properties ideally matched, Volvo attachments are an integrated part of the excavator for which they're intended.

Mix and match for a superior fit

Maximize your productivity and profitability with Volvo's EW160E wheeled excavator and a range of durable attachments. Increase your versatility, access more applications and perform a variety of tasks – all while experiencing faster cycle times and excellent control.

Buckets – GP/HD/XD

Volvo's buckets are the perfect tool for digging and re-handling in all conditions from soft, medium and hard materials. Heavy-duty buckets are intended for productive digging in compact materials. All provide maximum productivity and long life and feature original Volvo wear components.



Quick couplers

Volvo offers a full range of quick couplers, from its dedicated Volvo S-type coupler to the Volvo symmetrical and Steelwrist® Quick Couplers. The Steelwrist® Quick couplers come with Front Pin Lock Technology and all of our quick couplers are built to perfectly match Volvo Machines and Volvo Attachments. Steelwrist® is a registered trademark of Steelwrist AB



HB18 Hydraulic Breaker

The HB18 hydraulic breaker is optimized to the specific weights of Volvo machines and tailored to Volvo quick couplers for swift, safe and simple attachment changes. The HB18 is available with a full assortment of tools.



Tilt Rotator

Volvo's tilt rotator can be ordered factory installed with multifunctional joysticks and color display that's fully integrated into the machine's system. The new series of Volvo XD excavator buckets are perfectly matched to the factory installed tilt rotator.

Adding value to your business

Being a Volvo customer means having a complete set of services at your fingertips. Volvo can offer you a long-term partnership, protect your revenue and provide a full range of customer solutions using high quality parts, delivered by passionate people. Volvo is committed to increasing the positive return on your investment and maximising uptime.

Complete Solutions

Volvo has the right solution for you. So why not let us provide all your needs throughout the whole life cycle of your machine? By

listening to your requirements, we can reduce your total cost of ownership and increase your revenue.



Genuine Volvo Parts

Our attention to detail is what makes us stand out. This proven concept acts as a solid investment in your machine's future. Parts are extensively tested and approved because every part is vital for uptime and performance. Only by using Genuine Volvo Parts, can you be sure that your machine retains the renowned Volvo quality.

Service Network

In order to respond to your needs faster, a Volvo expert is on their way to your job site from one of our Volvo facilities. With our extensive infrastructure of technicians, workshops and dealers, Volvo has a comprehensive network to fully support you using local knowledge and global experience.





CUSTOMER SUPPORT AGREEMENTS

The range of Customer Support Agreements offer preventive maintenance, total repairs and a number of uptime services. Volvo uses the latest technology to monitor machine operation and status, giving you advice to increase your profitability. By having a Customer Support Agreement you are in control of your service costs.

Volvo EW160E in detail

Engine

Volvo Construction Equipment is ready to comply with the tough new Tier 4 Final legislation for off-road vehicles with the introduction of a cascade of innovations in its new generation engines with Volvo Advanced Combustion Technology (V-ACT). Volvo machines are equipped with in-line turbo charged diesel engine with high pressure unit injector system. The engine features a externally cooled exhaust gas re-circulation (E-EGR) , a Diesel Particulate Filter (DPF) and a Selective Catalytic Reduction(SCR) with Diesel Exhaust Fluid (DEF).

Engine	Volvo	D6J
Max. power at	r/min (r/s)	1,900 (31.7)
Net (ISO9249/SAEJ1349)	kW (hp)	112 (150)
Gross (ISO 14396/SAE J1995)	kW (hp)	115 (154)
Max. torque	Nm (ft lbf)	716 (528)
at engine speed	r/min (r/s)	1,400 (23.3)
No. of cylinders		6
Displacement	l (in ³)	5.7 (348)
Bore	mm (in)	98 (3.9)
Stroke	mm (in)	126 (5)

Electrical system

High-capacity electrical system that is well protected. Waterproof double-lock harness plugs are used to secure corrosion-free connections. The main relays and solenoid valves are shielded to prevent damage. The master switch is standard.

Voltage	V	24
Batteries	V	2 x 12
Battery capacity	Ah	2 x 140
Alternator	V/Ah	28/120
Alternator rating	W	3 360

Undercarriage

Drive train: A variable axle piston motor in combination with a power shift gearbox supplies 3 speeds. The gearbox distributes than the energy via propeller shafts to the axles.

Framework: All-welded robust torsion box frame.

Wheels: Alternative single and twin wheels available.

Front axle: Robust excavator axle with automatic or operator controlled front axle oscillation lock.

Undercarriage available with all possible combinations of bolted outriggers and / or parallel blade.

Oscillation	± °	9
with mudguards	± °	6
Twin wheels	type	10-20
Tractive force (net)	kN (lbf)	111 (24,954)
Travel speed, on road	km/h (mi/h)	20.0 / 30.0 / 35.0 (12.4 / 18.6 / 21.7)
Travel speed, off road	km/h (mi/h)	5.0 / 7.4 / 8.7 (3.1 / 4.6 / 5.4)
Travel speed, creep	km/h (mi/h)	4 (2.5)
Min. turning radius	m (ft)	7.3 (24)

Cab

New design Volvo Care Cab with operator protective structure, large and roomy interior. One way travel pedal with rocker switch control (F-N-R) on the right joystick. One-touch release for digging brake pedal.

Audio system with remote control and Bluetooth system for hands free phoning. Independently adjustable joystick consoles.

Excellent all-round visibility provided by maximized cab class, transparent roof hatch, 2-piece sliding door window and long stroke, easy to adjust and narrow steering column. The liftable front windshield can easily be stored in the inside roof space and clipped in position. The removable lower front glass can be stored in the side door pocket. Interior lighting consists of one reading light and one light with timer.

The pressurized and filtered cab air is supplied by a 14-vent climate-control providing fast defrosting and high cooling and heating performance. Viscous/spring mounted suspension cushions protect the operator from vibrations.

Deluxe air-suspension seat with adjustable seat suspension, height, tilt, recline and forward-backward settings.(option)

Adjustable, easy to read 8.3" LCD color monitor provides real time information of machine functions and important diagnostic information and is switchable to rear view camera monitor(standard) / side view camera (option). A new multi function button on left hand joystick with programmable function to improve the operator comfort.

Hydraulic system

Closed-centre load sensing hydraulic system with pressure compensated valves. Load independence of movements. Flow sharing feature, combined with a high flow pump (power regulation). The system gives superior manoeuvrability and fast movements, for optimal working result and economy.

The following working modes are included in the system:

Parking mode (P): Parking position for optimal safety.

Travel mode (T): Engine speed is controlled by travel pedal stroke for low fuel consumption and noise.

Working mode (W): Full working flow with adjustable engine rpm for normal working and best speed utilisation.

Customer mode (C): Operator can set proper oil flow in accordance with job conditions.

Power Boost: All digging and lifting forces are increased.

Main pump (Low noise axial piston pump)

Max. flow	l/min (gal/min)	275 (72.6)
-----------	-----------------	------------

Brake + steering pump (Low noise gear pump)

Max. flow	l/min (gal/min)	36 (9.5)
-----------	-----------------	----------

Servo pump (Low noise gear pump)

Max. flow	l/min (gal/min)	15 (4)
-----------	-----------------	--------

Relief valve setting pressure

Implement	MPa (psi)	34 / 37.5 (4,931 / 5,439)
Travel system	MPa (psi)	38 (5,439)
Pilot system	MPa (psi)	3.5 (508)

Brake System

Service brakes: servo-hydraulically manoeuvred self-adjusting wet multidiscs with two separate brake circuits.

Parking brake: negative wet disc in gear housing, spring applied and pressure released.

Digging brake: service brake with mechanical lock system.

Security system: The 2-circuit travel brakes are supplied with two accumulators in the event of failure in the service brake system.

Swing system

The superstructure is slowed by the means of a radial piston motor without reduction gear.

Automatic slew holding brake and anti-rebound valve are standard.

Max. slew speed	r/min	9
Max. slew torque	kNm (ft lbf)	50.4 (37,173)

Total Machine Weights

Machine with 5.0m / 16'5" mono boom, 2.45m / 8'0" dipper arm, quickfit S6, 530kg / 1,168lb - 780l / 206gal bucket. Standard counterweight.

With dozer blade and Outrigger	lb	
With dozer blade front and outriggers rear	kg (lb)	17 250 (38,030)
With dozer blade rear only	kg (lb)	16 200 (35,715)
With front and rear outriggers	kg (lb)	17 500 (38,581)

Machine with 5.1m / 16'9" 2-piece boom, 2.45m / 8'0" dipper arm, quickfit S6, 530kg / 1,168lb - 780l / 206gal bucket. Standard counterweight

With dozer blade front and outriggers rear	kg (lb)	17 600 (38,801)
With dozer blade rear only	kg (lb)	16 550 (36,486)
With front and rear outriggers	kg (lb)	17 850 (39,352)

Service Refill

Fuel tank	l (gal)	250 (66)
DEF/AdBlue® tank	l (gal)	25 (6.6)
Hydraulic system, total	l (gal)	250 (66)
Hydraulic tank	l (gal)	123 (32.5)
Engine oil	l (gal)	25 (6.6)
Engine coolant	l (gal)	33 (8.7)
Transmission	l (gal)	2.5 (0.7)

Axle differential:

Front axle	l (gal)	9.5 (2.5)
Rear axle	l (gal)	12.5 (3.3)
Final drive	l (gal)	4 x 2.5 (4 x 0.7)

Sound Level

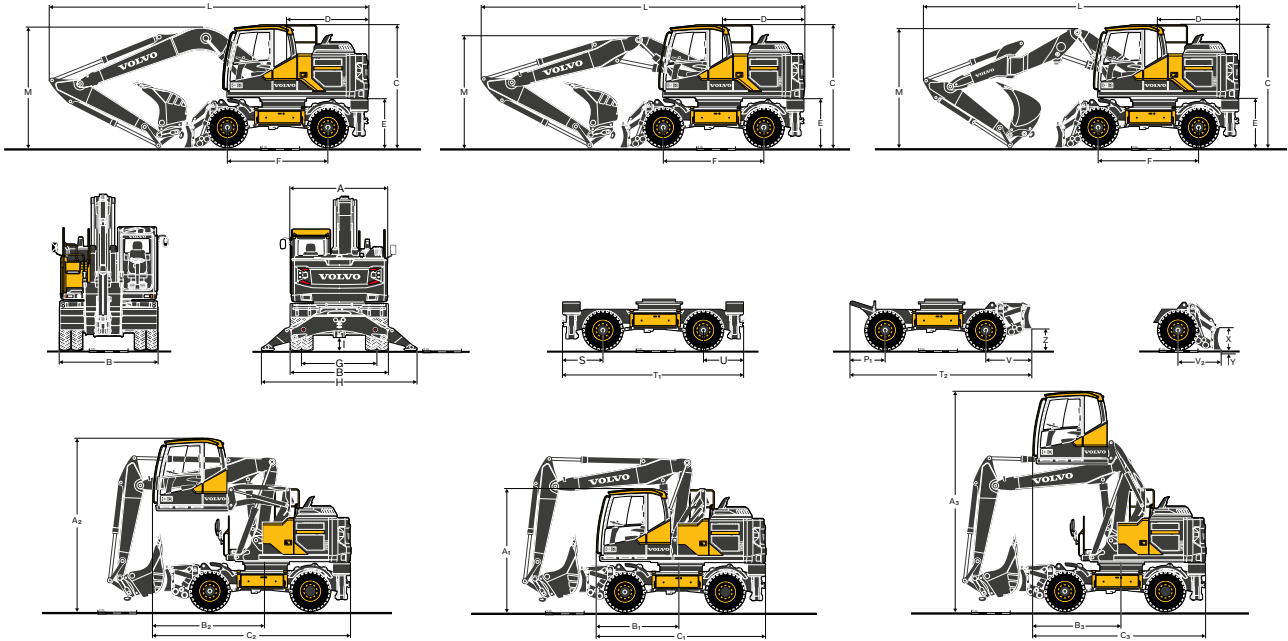
Sound pressure level in cab according to ISO 6396

L _{pA}	dB	70
-----------------	----	----

External sound level according to ISO 6395 and EU Noise Directive 2000/14/EC

L _{WA}	dB	100
-----------------	----	-----

Specifications



DIMENSIONS

Description	Unit	5.0m, 16'5" Mono boom		5.1m, 16'9" 2-piece boom		5.2m, 17'1" 2-piece offset boom	
A Overall width of superstructure	mm ft in	2 520	8'3"	2 520	8'3"	2 520	8'3"
B Overall width	mm ft in	2 540 / 2 750	8'4" / 9'0"	2 540 / 2 750	8'4" / 9'0"	2 540 / 2 750	8'4" / 9'0"
C Overall height of cab	mm ft in	3 140	10'4"	3 140	10'4"	3 140	10'4"
D Tail slew radius	mm ft in	2 150	7'1"	2 150	7'1"	2 150	7'1"
E Counterweight clearance	mm ft in	1 260	4'2"	1 260	4'2"	1 260	4'2"
F Wheel base	mm ft in	2 600	8'6"	2 600	8'6"	2 600	8'6"
G Tread	mm ft in	1 940	6'4"	1 940	6'4"	1 940	6'4"
H Outrigger width (front or rear)	mm ft in	3 980	13'1"	3 980	13'1"	3 980	13'1"
I Min. ground clearance	mm ft in	360	1'2"	360	1'2"	360	1'2"

DIMENSIONS

Description	Unit		5.0m, 16'5" Mono boom								Grab Arm	
	m	ft in	Arm						Grab Arm			
L Overall length	mm	ft in	8 240	27'0"	8 250	27'1"	8 240	27'0"	7 940	26'1"	8 255*	27'1"*
M Overall height of boom	mm	ft in	3 070	10'1"	3 040	10'0"	3 200	10'6"	3 700	12'2"	3 155*	10'4"*

DIMENSIONS

Description	Unit		5.1, 16'9" 2-piece boom							5.2m, 17'1" 2-piece offset boom						
	m	ft in	Arm				Grab Arm		Arm							
			2.0	6'7"	2.45	8'0"	2.6	8'6"	3.1	10'2"	2.95*	9'8"*	2.0	6'7"	2.45	8'0"
L Overall length	mm	ft in	8 330	27'4"	8 360	27'5"	8 360	27'5"	8 150	26'9"	8 350*	27'5"*	8 460	27'9"	8 450	27'9"
M Overall height of boom	mm	ft in	2 865	9'5"	2 860	9'5"	2 900	9'6"	3 390	11'1"	2 950*	9'8"*	2 750	9'0"	2 800	9'2"
L1 Overall length	mm	ft in	6 440	21'2"	6 440	21'2"	5 960**	19'7"*	5 950**	19'6"*	6 900*	22'8"*	6 220	20'5"	6 260	20'6"
M1 Overall height of boom	mm	ft in	3 920	12'10"	3 920	12'10"	3 920**	12'10"*	3 940**	12'11"*	3 990*	13'1"*	3 980	13'1"	3 980	13'1"
N Front overhang	mm	ft in	3 200	10'6"	3 215	10'7"	2 715**	8'11"*	2 710**	8'11"*	3 660*	12'0"*	2 980	9'9"	3 020	9'11"

*grab arm, without clamshell bucket | ** without bucket

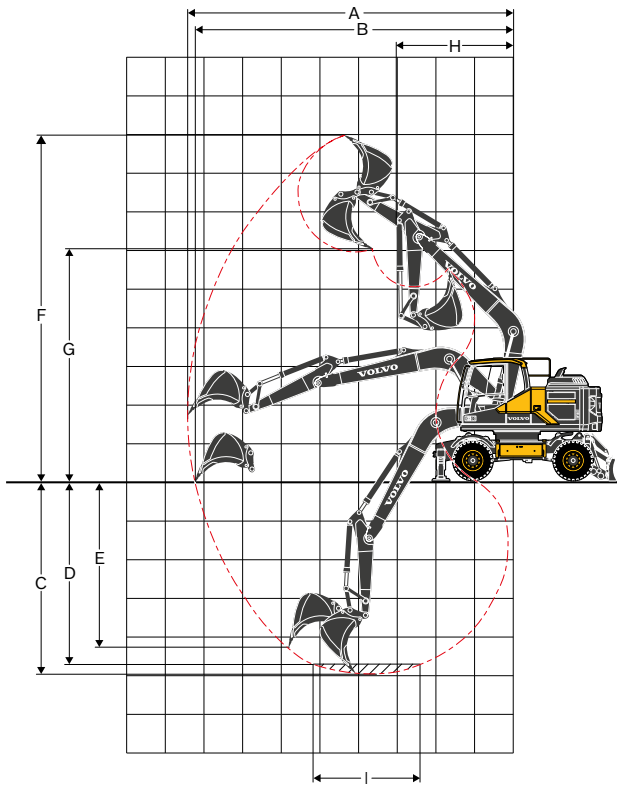
DIMENSIONS

Description	Unit		Undercarriage dimensions	
P	mm	ft in	1 180	3'10"
P1	mm	ft in	750	2'6"
Q	mm	ft in	1 150	3'9"
R/U	mm	ft in	1 030	3'5"
S	mm	ft in	1 080	3'7"
T	mm	ft in	4 800	15'9"
T1	mm	ft in	4 700	15'5"
T2	mm	ft in	4 470	14'8"
V	mm	ft in	1 120	3'8"
V2	mm	ft in	920	3'0"
X	mm	ft in	630	2'1"
Y	mm	ft in	153	0'6"
Z	mm	ft in	520	1'8"

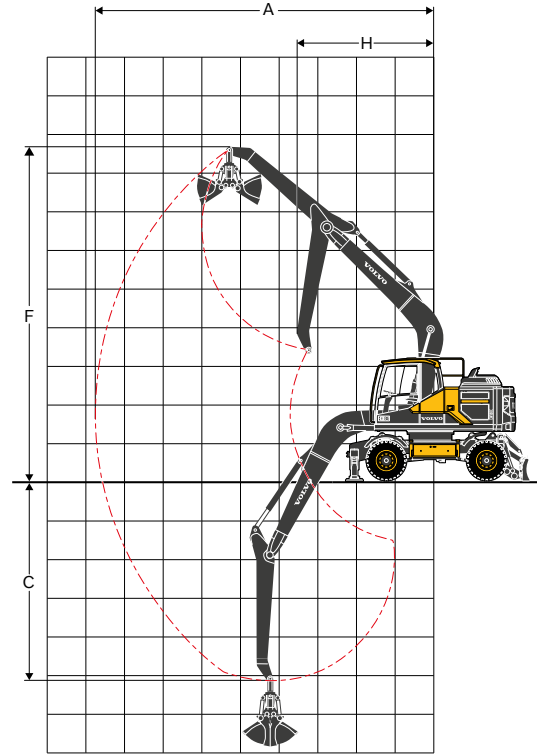
DIMENSIONS

Description	Unit		Hydraulic Elevated Cab	
A1	mm	ft in	3 150	10'4"
B1	mm	ft in	2 160	7'1"
C1	mm	ft in	4 360	14'4"
A2	mm	ft in	4 410	14'6"
B2	mm	ft in	2 900	9'6"
C2	mm	ft in	5 100	16'9"
A3	mm	ft in	5 650	18'6"
B3	mm	ft in	2 250	7'5"
C3	mm	ft in	4 440	14'7"

Specifications



Mono boom 5.0m / 16'5" and dipper arm 2.0m / 6'7", 2.45m / 8'0", 2.6m / 8'6", 3.1m / 10'2"



Mono boom 5.0m / 16'5" and grab arm 2.95m / 9'8"

WORKING RANGES WITH DIRECT FIT BUCKET

	Unit	5.0m, 16'5" Mono boom											
		Arm								Grab arm			
		2.0	6'7"	2.45	8'0"	2.6	8'6"	3.1	10'2"	2.95*	9'8"*		
A	Max. digging reach	mm	ft in	8 600	28'3"	9 000	29'6"	9 150	30'0"	9 620	31'7"	8 050	26'5"
B	Max. digging reach on ground	mm	ft in	8 400	27'7"	8 810	28'11"	8 960	29'5"	9 450	31'0"	-	-
C	Max. digging depth	mm	ft in	5 130	16'10"	5 580	18'4"	5 730	18'10"	6 230	20'5"	4 590	15'1"
D	Max. digging depth (l=2.44m / 8'0" level)	mm	ft in	4 910	16'1"	5 400	17'9"	5 550	18'3"	6 070	19'11"	-	-
E	Max. vertical wall digging depth	mm	ft in	4 320	14'2"	4 770	15'8"	4 920	16'2"	5 400	17'9"	-	-
F	Max. cutting height	mm	ft in	8 840	29'0"	9 100	29'10"	9 190	30'2"	9 470	31'1"	8 090	26'7"
G	Max. dumping height	mm	ft in	5 900	19'4"	6 150	20'2"	6 230	20'5"	6 520	21'5"	-	-
H	Min. front slew radius	mm	ft in	3 140	10'4"	3 150	10'4"	3 160	10'4"	3 190	10'6"	3 270	10'9"

* without clamshell bucket

Note: 1. Bucket size based on SAE-J296, heaped material with a 1:1 angle of repose. 2. "Max permitted sizes" are for reference only and are not necessarily available from the factory.

DIGGING FORCES WITH DIRECT FIT BUCKET

Breakout force (bucket)	ISO	kN	lbf	126*	28,326*	126*	28,326*	126*	28,326*	126*	28,326*
Tearout force	ISO	kN	lbf	98*	22,031*	86*	19,334*	82*	18,434*	72*	16,186*

* with powerboost

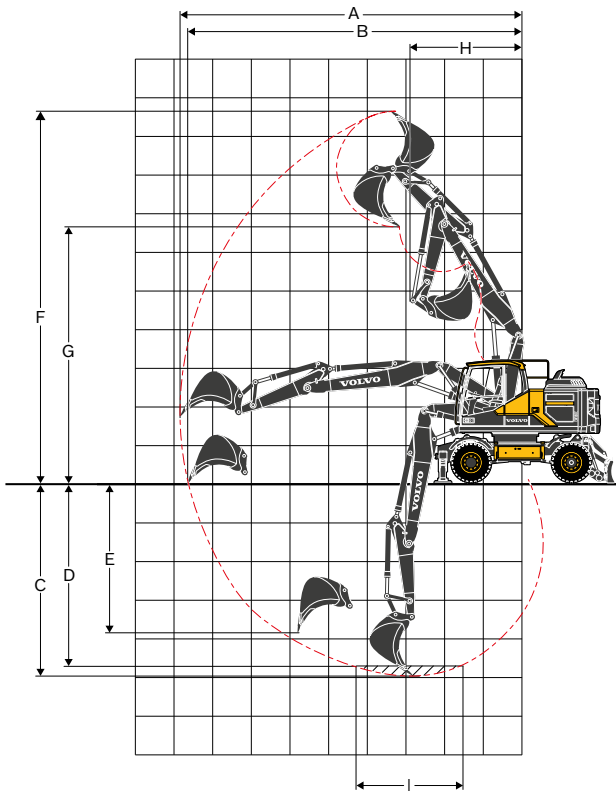
Max. recommended sizes for direct fit buckets

GP-Bucket (1.8t/m ³ / 3,035lb/yd ³)	l	gal	1 100	291	957	253	957	253	858	227
HD-Bucket (2.1t/m ³ / 3,540lb/yd ³)	l	gal	770	203	770	203	770	203	682	180

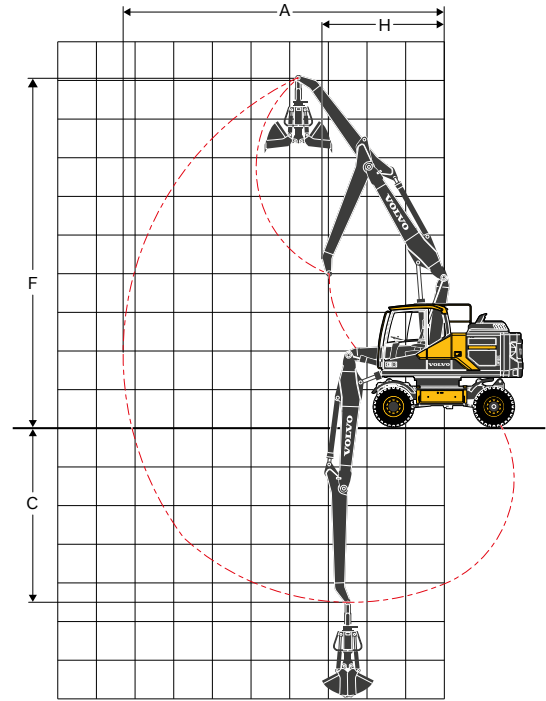
Max. recommended sizes for quick fit buckets

S6/S60 QF GP-Bucket (1.8t/m ³ / 3,035lb/yd ³)	l	gal	870	230	780	206	780	206	700	185
S6 QF HD-Bucket (2.1t/m ³ / 3,540lb/yd ³)	l	gal	700	185	700	185	620	164	500	132
S1 QF GP-Bucket (1.8t/m ³ / 3,035lb/yd ³)	l	gal	870	230 <td>780</td> <td>206 <td>700</td> <td>185</td> <td>620</td> <td>164</td> </td>	780	206 <td>700</td> <td>185</td> <td>620</td> <td>164</td>	700	185	620	164
S1 QF HD-Bucket (2.1t/m ³ / 3,540lb/yd ³)	l	gal	700	185	620	164	620	164	360	95

3. "Max permitted sizes" are for heavy counterweight.



**2-piece boom 5.1m / 16'5" and
dipper arm 2.0m / 6'7", 2.45m / 8'0", 2.6m / 8'6", 3.1m / 10'2"**



**2-piece boom 5.1m / 16'5" and
grab arm 2.95m / 9'8"**

WORKING RANGES WITH DIRECT FIT BUCKET

		Unit	5.1m, 16'5" 2-piece boom									
			Arm							Grab arm		
			2.0	6'7"	2.45	8'0"	2.6	8'6"	3.1	10'2"	2.95*	9'8"*
A	Max. digging reach	mm ft in	8 720	28'7"	9 150	30'0"	9 300	30'6"	9 770	32'1"	8 200	26'11"
B	Max. digging reach on ground	mm ft in	8 520	27'11"	8 960	29'5"	9 110	29'11"	9 600	31'6"	-	-
C	Max. digging depth	mm ft in	5 120	16'10"	5 570	18'3"	5 720	18'9"	6 220	20'5"	4 600	15'1"
D	Max. digging depth (l=2.44m / 8'0" level)	mm ft in	5 020	16'6"	5 470	17'11"	5 620	18'5"	6 120	20'1"	-	-
E	Max. vertical wall digging depth	mm ft in	4 080	13'5"	4 550	14'11"	4 700	15'5"	5 180	17'0"	-	-
F	Max. cutting height	mm ft in	9 640	31'8"	10 000	32'10"	10 100	33'2"	10 450	34'3"	9 000	29'6"
G	Max. dumping height	mm ft in	6 670	21'11"	7 000	23'0"	7 110	23'4"	7 480	24'6"	-	-
H	Min. front slew radius	mm ft in	2 690	8'10"	2 820	9'3"	2 860	9'5"	3 000	9'10"	3 010	9'11"

* without clamshell bucket

DIGGING FORCES WITH DIRECT FIT BUCKET

Breakout force (bucket)	ISO	kN lbf	126*	28,326*	126*	28,326*	126*	28,326*	126*	28,326*
Tearout force)	ISO	kN lbf	98*	22,031*	86*	19,334*	82*	18,434*	72*	16,186*

* with powerboost

Max. recommended sizes for direct fit buckets

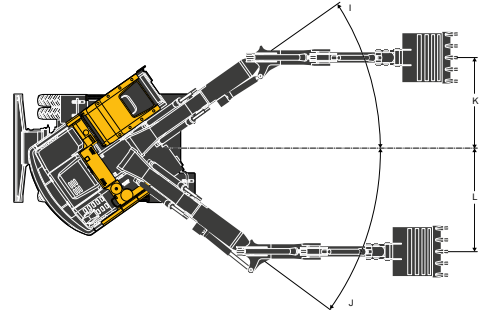
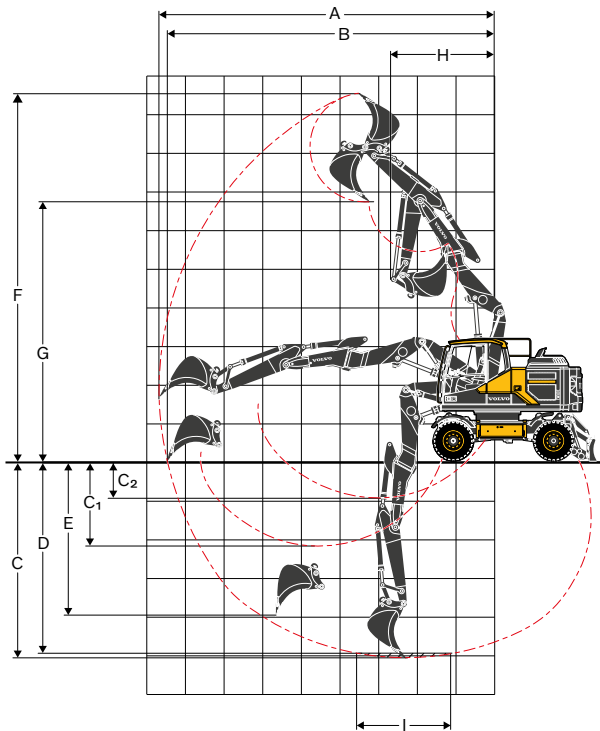
GP-Bucket (1.8t/m ³ / 3,035lb/yd ³)	l gal	957	253	957	253	858	227	770	203
HD-Bucket (2.1t/m ³ / 3,540lb/yd ³)	l gal	770	203	770	203	770	203	682	180

Max. recommended sizes for quick fit buckets

S6/S60 QF GP-Bucket (1.8t/m ³ / 3,035lb/yd ³)	l gal	870	230	780	206	780	206	700	185
S6 QF HD-Bucket (2.1t/m ³ / 3,540lb/yd ³)	l gal	700	185	620	164	620	164	500	132
S1 QF GP-Bucket (1.8t/m ³ / 3,035lb/yd ³)	l gal	870	230	700	185	700	185	620	164
S1 QF HD-Bucket (2.1t/m ³ / 3,540lb/yd ³)	l gal	700	185	620	164	620	164	360	95

3. "Max permitted sizes" are for heavy counterweight.

Specifications



2-piece offset boom 5.2m / 17'1" and dipper arm 2.0m / 6'7", 2.45m / 8'0"

WORKING RANGES WITH DIRECT FIT BUCKET

	Unit		5.2m, 17'1" 2-piece offset boom			
	m	ft in	Arm			
			2.0	6'7"	2.45	8'0"
A Max. digging reach	mm	ft in	8 760	28'9"	9 200	30'2"
B Max. digging reach on ground	mm	ft in	8 560	28'1"	9 000	29'6"
C Max. digging depth	mm	ft in	5 210	17'1"	5 660	18'7"
C1 Max. digging depth at max. attachment offset with vertical trench walls	mm	ft in	2 280	7'6"	2 730	8'11"
C2 Min. digging depth at max. attachment offset with vertical trench walls	mm	ft in	1 030	3'5"	1 480	4'10"
D Max. digging depth (l=2.44m / 8'0" level)	mm	ft in	5 100	16'9"	5 560	18'3"
E Max. vertical wall digging depth	mm	ft in	4 000	13'1"	4 410	14'6"
F Max. cutting height	mm	ft in	9 570	31'5"	9 880	32'5"
G Max. dumping height	mm	ft in	6 700	22'0"	7 000	23'0"
H Min. front swing radius	mm	ft in	2 710	8'11"	2 820	9'3"
J1			°		35	35
J2			°		36	36
K	mm	ft in	2 120	6'11"	2 120	6'11"
L	mm	ft in	2 430	8'0"	2 430	8'0"

Note: 1. Bucket size based on SAE-J296, heaped material with a 1:1 angle of repose. 2. "Max permitted sizes" are for reference only and are not necessarily available from the factory.

DIGGING FORCES WITH DIRECT FIT BUCKET

	ISO	kN	lbf	108*	24,279*	108*	24,279*
Breakout force (bucket)							
Tearout force				73*	16,411*	63.5*	14,275*

* with powerboost

Max. recommended sizes for direct fit buckets

	l	gal	780	206	780	206
GP-Bucket (1.8t/m ³ / 3,035lb/yd ³)						
HD-Bucket (2.1t/m ³ / 3,540lb/yd ³)			620	164	620	164

Max. recommended sizes for quick fit buckets

	l	gal	780	206	700	185
S6/S60 QF GP-Bucket (1.8t/m ³ / 3,035lb/yd ³)						
S6 QF HD-Bucket (2.1t/m ³ / 3,540lb/yd ³)			620	164	500	132
S1 QF GP-Bucket (1.8t/m ³ / 3,035lb/yd ³)			620	164	620	164
S1 QF HD-Bucket (2.1t/m ³ / 3,540lb/yd ³)			620	164	500	132

3. "Max permitted sizes" are for heavy counterweight.

LIFTING CAPACITY EW160E with heavy counterweight

At the arm end, without bucket and quick fit. For lifting capacity including bucket/quick fit, simply subtract actual weight of those parts from the following values. With heavy counterweight. Unit: ■ 1 000 kg | ● 1,000 lb
 Notes: 1. Working pressure with Power Boost = 37.5 MPa / 5,440 PSI. 2. The above values are in compliance with ISO standard 10 567. They do not exceed 87 % of hydraulic lifting capacity or 75 % of tipping load, with the machine on firm, level ground. 3. Load capacities marked with an asterisk (*) are limited by machine's hydraulic lifting capacity rather than tipping load.

	Lifting point	Reach from machine centre (u = support up/d = support down)																				Max.						
		1.5 m, 5 ft				3.0 m, 10 ft				4.5 m, 15 ft				6.0 m, 20 ft				7.5 m, 25 ft					Max.					
		Across UC		Along UC		Across UC		Along UC		Across UC		Along UC		Across UC		Along UC		Across UC		Along UC			u	d				
		u	d	u	d	u	d	u	d	u	d	u	d	u	d	u	d	u	d	u	d		Max.					
Mono Boom: 5m, 16'5" Dipper arm: 2m, 6'7" Front dozer blade Rear outrigger	6m ■	-	-	-	-	-	-	-	-	-	-	-	-	-	-	-	-	-	-	-	-	-	3.1	4.0*	4.0*	4.0*	5.7m	
	20ft ●	-	-	-	-	-	-	-	-	-	-	-	-	-	-	-	-	-	-	-	-	-	-	6.8	8.8*	8.8*	8.8*	18.7ft
	4.5m ■	-	-	-	-	-	-	-	-	4.3	5.3*	5.3*	5.3*	2.8	4.6	4.2	4.7*	-	-	-	-	-	-	2.4	3.8*	3.7	3.8*	6.5m
	15ft ●	-	-	-	-	-	-	-	-	9.5	11.7*	11.7*	11.7*	6.2	10.1	9.3	10.4*	-	-	-	-	-	-	5.3	8.4*	8.2	8.4*	21.3ft
	3m ■	-	-	-	-	-	-	-	-	4.0	6.6*	6.4	6.6*	2.6	4.5	4.1	5.2*	-	-	-	-	-	-	2.1	3.6	3.3	3.9*	7.0m
	10ft ●	-	-	-	-	-	-	-	-	8.8	14.6*	14.1	14.6*	5.7	9.9	9.0	11.5*	-	-	-	-	-	-	4.6	7.9	7.3	8.6*	23.0ft
	15m ■	-	-	-	-	-	-	-	-	3.7	6.7	6.1	7.7*	2.5	4.4	4.0	5.7*	-	-	-	-	-	-	2.0	3.4	3.1	4.1*	7.1m
	5ft ●	-	-	-	-	-	-	-	-	8.2	14.8	13.4	17.0*	5.5	9.7	8.8	12.6*	-	-	-	-	-	-	4.4	7.5	6.8	9.0*	23.3ft
	0m ■	-	-	-	-	-	-	-	-	3.6	6.5	5.9	8.2*	2.5	4.3	3.9	6.0*	-	-	-	-	-	-	2.1	3.6	3.3	4.7*	6.8m
	0ft ●	-	-	-	-	-	-	-	-	7.9	14.3	13.0	18.1*	5.5	9.5	8.6	13.2*	-	-	-	-	-	-	4.6	7.9	7.3	10.4*	22.3ft
	-1.5m ■	-	-	-	-	6.5	11.4*	11.4*	11.4*	3.6	6.5	5.9	7.9*	2.4	4.3	3.9	5.7*	-	-	-	-	-	-	2.3	4.1	3.7	5.4*	6.2m
	-5ft ●	-	-	-	-	14.3	25.1*	25.1*	25.1*	7.9	14.3	13.0	17.4*	5.3	9.5	8.6	12.6*	-	-	-	-	-	-	5.1	9.0	8.2	11.9*	20.3ft
	-3m ■	-	-	-	-	6.7	9.4*	9.4*	9.4*	3.7	6.6*	6.0	6.6*	-	-	-	-	-	-	-	-	-	-	3.1	5.5*	5.0	5.5*	5.1m
	-10ft ●	-	-	-	-	14.8	20.7*	20.7*	20.7*	8.2	14.6*	13.2	14.6*	-	-	-	-	-	-	-	-	-	-	6.8	12.1*	11.0	12.1*	16.7ft
	7.5m ■	-	-	-	-	-	-	-	-	-	-	-	-	-	-	-	-	-	-	-	-	-	-	-	-	-	-	-
25ft ●	-	-	-	-	-	-	-	-	-	-	-	-	-	-	-	-	-	-	-	-	-	-	-	-	-	-	-	15.7ft
Mono Boom: 5m, 16'5" Dipper arm: 2.45m, 8'0" Front dozer blade Rear outrigger	6m ■	-	-	-	-	-	-	-	-	-	-	-	-	2.8	4.0*	4.0*	4.0*	-	-	-	-	-	-	2.7	3.2*	3.2*	3.2*	6.2m
	20ft ●	-	-	-	-	-	-	-	-	-	-	-	-	6.2	8.8*	8.8*	8.8*	-	-	-	-	-	-	6.0	7.1*	7.1*	7.1*	20.3ft
	4.5m ■	-	-	-	-	-	-	-	-	4.3	4.8*	4.8*	4.8*	2.8	4.3*	4.3	4.3*	-	-	-	-	-	-	2.1	3.0*	3.0*	3.0*	7.0m
	15ft ●	-	-	-	-	-	-	-	-	9.5	10.6*	10.6*	10.6*	6.2	9.5*	9.5	9.5*	-	-	-	-	-	-	4.6	6.6*	6.6*	6.6*	23.0ft
	3m ■	-	-	-	-	-	-	-	-	4.0	6.1*	6.1*	6.1*	2.6	4.5	4.1	4.9*	-	-	-	-	-	-	1.9	3.1*	3.0	3.1*	7.4m
	10ft ●	-	-	-	-	-	-	-	-	8.8	13.4*	13.4*	13.4*	5.7	9.9	9.0	10.8*	-	-	-	-	-	-	4.2	6.8*	6.6	6.8*	24.3ft
	15m ■	-	-	-	-	-	-	-	-	3.7	6.7	6.1	7.4*	2.5	4.3	4.0	5.5*	1.8	3.1	2.9	3.3*	1.8	3.1	2.9	3.2*	3.2*	7.5m	
	5ft ●	-	-	-	-	-	-	-	-	8.2	14.8	13.4	16.3*	5.5	9.5	8.8	12.1*	4.0	6.8	6.4	7.3*	4.0	6.8	6.4	7.1*	6.6	6.8*	24.6ft
	0m ■	-	-	-	-	6.0*	6.0*	6.0*	6.0*	3.6	6.5	5.9	8.1*	2.4	4.2	3.9	5.9*	-	-	-	-	-	-	1.9	3.2	2.9	3.6*	7.3m
	0ft ●	-	-	-	-	13.2*	13.2*	13.2*	13.2*	7.9	14.3	13.0	17.9*	5.3	9.3	8.6	13.0*	-	-	-	-	-	-	4.2	7.1	6.4	7.9*	24.0ft
	-1.5m ■	6.2*	6.2*	6.2*	6.2*	6.4	10.9*	10.9*	10.9*	3.5	6.5	5.9	8.0*	2.4	4.2	3.8	5.8*	-	-	-	-	-	-	2.1	3.6	3.3	4.4*	6.7m
	-5ft ●	13.7*	13.7*	13.7*	13.7*	14.1	24.0*	24.0*	24.0*	7.7	14.3	13.0	17.6*	5.3	9.3	8.4	12.8*	-	-	-	-	-	-	4.6	7.9	7.3	9.7*	22.0ft
	-3m ■	-	-	-	-	6.5	10.3*	10.3*	10.3*	3.6	6.5	5.9	7.1*	-	-	-	-	-	-	-	-	-	-	2.6	4.6	4.2	5.2*	5.7m
	-10ft ●	-	-	-	-	14.3	22.7*	22.7*	22.7*	7.9	14.3	13.0	15.7*	-	-	-	-	-	-	-	-	-	-	5.7	10.1	9.3	11.5*	18.7ft
	Mono Boom: 5m, 16'5" Dipper arm: 2.6m, 8'6" Front dozer blade Rear outrigger	7.5m ■	-	-	-	-	-	-	-	-	-	-	-	-	-	-	-	-	-	-	-	-	-	-	-	-	-	-
25ft ●		-	-	-	-	-	-	-	-	-	-	-	-	-	-	-	-	-	-	-	-	-	-	-	-	-	-	16.4ft
6m ■		-	-	-	-	-	-	-	-	-	-	-	-	2.8	4.0*	4.0*	4.0*	-	-	-	-	-	-	2.5	2.9*	2.9*	2.9*	6.4m
20ft ●		-	-	-	-	-	-	-	-	-	-	-	-	6.2	8.8*	8.8*	8.8*	-	-	-	-	-	-	5.5	6.4*	6.4*	6.4*	21.0ft
4.5m ■		-	-	-	-	-	-	-	-	4.4	4.6*	4.6*	4.6*	2.8	4.2*	4.2*	4.2*	-	-	-	-	-	-	2.1	2.8*	2.8*	2.8*	7.2m
15ft ●		-	-	-	-	-	-	-	-	9.7	10.1*	10.1*	10.1*	6.2	9.3*	9.3*	9.3*	-	-	-	-	-	-	4.6	6.2*	6.2*	6.2*	23.6ft
3m ■		-	-	-	-	-	-	-	-	4.0	5.9*	5.9*	5.9*	2.6	4.5	4.1	4.8*	1.9	3.2	2.9	3.3*	1.8	2.8*	2.8*	2.8*	2.8*	7.6m	
10ft ●		-	-	-	-	-	-	-	-	8.8	13.0*	13.0*	13.0*	5.7	9.9	9.0	10.6*	4.2	7.1	6.4	7.3*	4.0	6.2*	6.2*	6.2*	6.2*	24.9ft	
15m ■		-	-	-	-	-	-	-	-	3.7	6.7	6.1	7.2*	2.5	4.3	4.0	5.4*	1.8	3.1	2.8	4.1*	1.7	3.0*	2.8	3.0*	2.8	3.0*	7.6m
5ft ●		-	-	-	-	-	-	-	-	8.2	14.8	13.4	15.9*	5.5	9.5	8.8	11.9*	4.0	6.8	6.2	9.0*	3.7	6.6*	6.2	6.6*	6.2	6.6*	24.9ft
0m ■		-	-	-	-	6.2*	6.2*	6.2*	6.2*	3.5	6.5	5.9	8.0*	2.4	4.2	3.9	5.8*	-	-	-	-	-	-	1.8	3.1	2.8	3.4*	7.4m
0ft ●		-	-	-	-	13.7*	13.7*	13.7*	13.7*	7.7	14.3	13.0	17.6*	5.3	9.3	8.6	12.8*	-	-	-	-	-	-	4.0	6.8	6.2	7.5*	24.3ft
-1.5m ■		6.0*	6.0*	6.0*	6.0*	6.3	10.5*	10.5*	10.5*	3.5	6.4	5.8	8.1*	2.4	4.2	3.8	5.9*	-	-	-	-	-	-	2.0	3.5	3.2	4.1*	6.9m
-5ft ●		13.2*	13.2*	13.2*	13.2*	13.9	23.1*	23.1*	23.1*	7.7	14.1	12.8	17.9*	5.3	9.3	8.4	13.0*	-	-	-	-	-	-	4.4	7.7	7.1	9.0*	22.6ft
-3m ■		-	-	-	-	6.4	10.6*	10.6*	10.6*	3.5	6.5	5.9	7.2*	-	-	-	-	-	-	-	-	-	-	2.5	4.4	4.0	5.1*	5.9m
-10ft ●	-	-	-	-	14.1	23.4*	23.4*	23.4*	7.7	14.3	13.0	15.9*	-	-	-	-	-	-	-	-	-	-	5.5	9.7	8.8	11.2*	19.4ft	

Specifications

LIFTING CAPACITY EW160E with heavy counterweight

At the arm end, without bucket and quick fit. For lifting capacity including bucket/quick fit, simply subtract actual weight of those parts from the following values. With heavy counterweight. Unit: ■ 1 000 kg | ● 1,000 lb

Notes: 1. Working pressure with Power Boost = 37.5 MPa / 5,440 PSI. 2. The above values are in compliance with ISO standard 10 567. They do not exceed 87 % of hydraulic lifting capacity or 75 % of tipping load, with the machine on firm, level ground. 3. Load capacities marked with an asterisk (*) are limited by machine's hydraulic lifting capacity rather than tipping load.

Lifting point	Reach from machine centre (u = support up/d = support down)																				Max.									
	1.5 m, 5 ft				3.0 m, 10 ft				4.5 m, 15 ft				6.0 m, 20 ft				7.5 m, 25 ft					Across UC		Along UC						
	Across UC	Along UC	Across UC	Along UC	Across UC	Along UC	Across UC	Along UC	Across UC	Along UC	Across UC	Along UC	Across UC	Along UC	Across UC	Along UC	Across UC	Along UC	Across UC	Along UC										
Mono Boom: 5m, 16'5" Dipper arm: 3.1m, 10'2" Front dozer blade Rear outrigger	75m ■	-	-	-	-	-	-	-	-	-	-	-	-	-	-	-	-	-	-	-	2.6*	2.6*	2.6*	2.6*	5.7m					
	25ft ●	-	-	-	-	-	-	-	-	-	-	-	-	-	-	-	-	-	-	-	-	5.7*	5.7*	5.7*	5.7*	18.7ft				
	6m ■	-	-	-	-	-	-	-	-	-	-	-	-	2.9	3.5*	3.5*	3.5*	-	-	-	-	2.2	2.4*	2.4*	2.4*	6.9m				
	20ft ●	-	-	-	-	-	-	-	-	-	-	-	6.4	7.7*	7.7*	7.7*	-	-	-	-	-	4.9	5.3*	5.3*	5.3*	22.6ft				
	4.5m ■	-	-	-	-	-	-	-	-	-	-	-	2.8	3.8*	3.8*	3.8*	1.9	2.9*	2.9*	2.9*	1.8	2.3*	2.3*	2.3*	7.7m					
	15ft ●	-	-	-	-	-	-	-	-	-	-	-	6.2	8.4*	8.4*	8.4*	4.2	6.4*	6.4*	6.4*	4.0	5.1*	5.1*	5.1*	25.3ft					
	3m ■	-	-	-	-	7.6	7.7*	7.7*	7.7*	4.1	5.3*	5.3*	5.3*	2.7	4.4*	4.4*	4.4*	1.9	3.2	2.9	4.0*	1.6	2.3*	2.3*	2.3*	8.0m				
	10ft ●	-	-	-	-	16.8	17.0*	17.0*	17.0*	9.0	11.7*	11.7*	11.7*	6.0	9.7*	9.3	9.7*	4.2	7.1	6.4	8.8*	3.5	5.1*	5.1*	5.1*	26.2ft				
	1.5m ■	-	-	-	-	-	-	-	-	3.8	6.8*	6.2	6.8*	2.5	4.4	4.0	5.1*	1.8	3.1	2.8	4.3*	1.6	2.4*	2.4*	2.4*	8.1m				
	5ft ●	-	-	-	-	-	-	-	-	8.4	15.0*	13.7	15.0*	5.5	9.7	8.8	11.2*	4.0	6.8	6.2	9.5*	3.5	5.3*	5.3*	5.3*	26.6ft				
	0m ■	-	-	-	-	6.3	6.6*	6.6*	6.6*	3.5	6.5	5.9	7.8*	2.4	4.2	3.8	5.7*	1.7	3.0	2.8	4.5*	1.6	2.7*	2.6	2.7*	7.9m				
	0ft ●	-	-	-	-	13.9	14.6*	14.6*	14.6*	7.7	14.3	13.0	17.2*	5.3	9.3	8.4	12.6*	3.7	6.6	6.2	9.9*	3.5	6.0*	5.7	6.0*	25.9ft				
	-1.5m ■	5.3*	5.3*	5.3*	5.3*	6.2	9.6*	9.6*	9.6*	3.4	6.4	5.8	8.1*	2.3	4.1	3.8	5.9*	-	-	-	-	1.7	3.1	2.8	3.1*	7.4m				
	-5ft ●	11.7*	11.7*	11.7*	11.7*	13.7	21.2*	21.2*	21.2*	7.5	14.1	12.8	17.9*	5.1	9.0	8.4	13.0*	-	-	-	-	3.7	6.8	6.2	6.8*	24.3ft				
	-3m ■	9.0*	9.0*	9.0*	9.0*	6.3	11.3*	11.3*	11.3*	3.5	6.4	5.8	7.6*	2.3	4.2	3.8	5.4*	-	-	-	-	2.1	3.7	3.4	4.2*	6.5m				
	-10ft ●	19.8*	19.8*	19.8*	19.8*	13.9	24.9*	24.9*	24.9*	7.7	14.1	12.8	16.8*	5.1	9.3	8.4	11.9*	-	-	-	-	4.6	8.2	7.5	9.3*	21.3ft				
-4.5m ■	-	-	-	-	6.6	8.6*	8.6*	8.6*	3.6	5.7*	5.7*	5.7*	-	-	-	-	-	-	-	-	3.2	4.8*	4.8*	4.8*	4.9m					
-15ft ●	-	-	-	-	14.6	19.0*	19.0*	19.0*	7.9	12.6*	12.6*	12.6*	-	-	-	-	-	-	-	-	7.1	10.6*	10.6*	10.6*	16.1ft					
Mono Boom: 5m, 16'5" Grab Arm: 2.95m, 9'8" Front dozer blade Rear outrigger	75m ■	-	-	-	-	-	-	-	-	-	-	-	-	-	-	-	-	-	-	-	-	-	-	-	3.2*	3.2*	3.2*	3.2*	5.6m	
	25ft ●	-	-	-	-	-	-	-	-	-	-	-	-	-	-	-	-	-	-	-	-	-	-	-	-	7.1*	7.1*	7.1*	7.1*	18.4ft
	6m ■	-	-	-	-	-	-	-	-	-	-	-	-	3.1	4.0*	4.0*	4.0*	-	-	-	-	2.5	2.8*	2.8*	2.8*	6.8m				
	20ft ●	-	-	-	-	-	-	-	-	-	-	-	-	6.8	8.8*	8.8*	8.8*	-	-	-	-	5.5	6.2*	6.2*	6.2*	22.3ft				
	4.5m ■	-	-	-	-	-	-	-	-	-	-	-	-	3.0	4.2*	4.2*	4.2*	2.1	3.1*	3.1*	3.1*	2.1	2.7*	2.7*	2.7*	7.6m				
	15ft ●	-	-	-	-	-	-	-	-	-	-	-	-	6.6	9.3*	9.3*	9.3*	4.6	6.8*	6.8*	6.8*	4.6	6.0*	6.0*	6.0*	24.9ft				
	3m ■	-	-	-	-	-	-	-	-	4.3	5.8*	5.8*	5.8*	2.9	4.8	4.4	4.8*	2.1	3.4	3.2	4.4*	1.9	2.7*	2.7*	2.7*	8.0m				
	10ft ●	-	-	-	-	-	-	-	-	9.5	12.8*	12.8*	12.8*	6.4	10.6	9.7	10.6*	4.6	7.5	7.1	9.7*	4.2	6.0*	6.0*	6.0*	26.2ft				
	1.5m ■	-	-	-	-	-	-	-	-	4.0	7.0	6.4	7.2*	2.8	4.6	4.2	5.5*	2.0	3.3	3.1	4.7*	1.8	2.8*	2.8	2.8*	8.0m				
	5ft ●	-	-	-	-	-	-	-	-	8.8	15.4	14.1	15.9*	6.2	10.1	9.3	12.1*	4.4	7.3	6.8	10.4*	4.0	6.2*	6.2	6.2*	26.2ft				
	0m ■	-	-	-	-	6.1*	6.1*	6.1*	6.1*	3.8	6.8	6.2	8.2*	2.6	4.5	4.1	6.0*	2.0	3.3	3.0	4.9*	1.9	3.0*	2.9	3.0*	7.8m				
	0ft ●	-	-	-	-	13.4*	13.4*	13.4*	13.4*	8.4	15.0	13.7	18.1*	5.7	9.9	9.0	13.2*	4.4	7.3	6.6	10.8*	4.2	6.6*	6.4	6.6*	25.6ft				
	-1.5m ■	5.3*	5.3*	5.3*	5.3*	6.6	9.6*	9.6*	9.6*	3.7	6.7	6.1	8.4*	2.6	4.4	4.0	6.2*	-	-	-	-	2.0	3.4	3.1	3.5*	7.3m				
	-5ft ●	11.7*	11.7*	11.7*	11.7*	14.6	21.2*	21.2*	21.2*	8.2	14.8	13.4	18.5*	5.7	9.7	8.8	13.7*	-	-	-	-	4.4	7.5	6.8	7.7*	24.0ft				
	-3m ■	9.3*	9.3*	9.3*	9.3*	6.7	11.4*	11.4*	11.4*	3.8	6.7	6.1	7.8*	2.6	4.4	4.1	5.6*	-	-	-	-	2.4	4.1	3.8	4.5*	6.4m				
	-10ft ●	20.5*	20.5*	20.5*	20.5*	14.8	25.1*	25.1*	25.1*	8.4	14.8	13.4	17.2*	5.7	9.7	9.0	12.3*	-	-	-	-	5.3	9.0	8.4	9.9*	21.0ft				
-4.5m ■	-	-	-	-	-	-	-	-	3.9	5.6*	5.6*	5.6*	-	-	-	-	-	-	-	-	3.8	5.4*	5.4*	5.4*	4.6m					
-15ft ●	-	-	-	-	-	-	-	-	8.6	12.3*	12.3*	12.3*	-	-	-	-	-	-	-	-	8.4	11.9*	11.9*	11.9*	15.1ft					
Mono Boom: 5m, 16'5" Arm: 2m, 6'7" Front and rear outriggers	6m ■	-	-	-	-	-	-	-	-	-	-	-	-	-	-	-	-	-	-	-	-	-	-	-	3.1	4.0*	4.0*	4.0*	5.7m	
	20ft ●	-	-	-	-	-	-	-	-	-	-	-	-	-	-	-	-	-	-	-	-	-	-	-	-	6.8	8.8*	8.8*	8.8*	18.7ft
	4.5m ■	-	-	-	-	-	-	-	-	4.3	5.3*	5.3*	5.3*	2.8	4.7*	4.2	4.7*	-	-	-	-	2.4	3.8*	3.7	3.8*	6.5m				
	15ft ●	-	-	-	-	-	-	-	-	9.5	11.7*	11.7*	11.7*	6.2	10.4*	9.3	10.4*	-	-	-	-	5.3	8.4*	8.2	8.4*	21.3ft				
	3m ■	-	-	-	-	-	-	-	-	4.0	6.6*	6.4	6.6*	2.7	5.2*	4.1	5.2*	-	-	-	-	2.1	3.9*	3.2	3.9*	7.0m				
	10ft ●	-	-	-	-	-	-	-	-	8.8	14.6*	14.1	14.6*	6.0	11.5*	9.0	11.5*	-	-	-	-	4.6	8.6*	7.1	8.6*	23.0ft				
	1.5m ■	-	-	-	-	-	-	-	-	3.8	7.7*	6.1	7.7*	2.6	5.6	4.0	5.7*	-	-	-	-	2.0	4.1*	3.1	4.1*	7.1m				
	5ft ●	-	-	-	-	-	-	-	-	8.4	17.0*	13.4	17.0*	5.7	12.3	8.8	12.6*	-	-	-	-	4.4	9.0*	6.8	9.0*	23.3ft				
	0m ■	-	-	-	-	-	-	-	-	3.6	8.2*	5.9	8.2*	2.5	5.5	3.9	6.0*	-	-	-	-	2.1	4.6	3.2	4.7*	6.8m				
	0ft ●	-	-	-	-	-	-	-	-	7.9	18.1*	13.0	18.1*	5.5	12.1	8.6	13.2*	-	-	-	-	4.6	10.1	7.1	10.4*	22.3ft				
	-1.5m ■	-	-	-	-	6.6	11.4*	11.4*	11.4*	3.6	7.9*	5.9	7.9*	2.5	5.5	3.9	5.7*	-	-	-	-	2.4	5.2	3.7	5.4*	6.2m				
	-5ft ●	-	-	-	-	14.6	25.1*	25.1*	25.1*	7.9	17.4*	13.0	17.4*	5.5	12.1	8.6	12.6*	-	-	-	-	5.3	11.5	8.2	11.9*	20.3ft				
	-3m ■	-	-	-	-	6.8	9.4*	9.4*	9.4*	3.7	6.6*	6.0	6.6*	-	-	-	-	-	-	-	-	3.2	5.5*	5.0	5.5*	5.1m				
	-10ft ●	-	-	-	-	15.0	20.7*	20.7*	20.7*	8.2	14.6*	13.2	14.6*	-	-	-	-	-	-	-	-	7.1	12.1*	11.0	12.1*	16.7ft				

Specifications

LIFTING CAPACITY EW160E with heavy counterweight

At the arm end, without bucket and quick fit. For lifting capacity including bucket/quick fit, simply subtract actual weight of those parts from the following values. With heavy counterweight. Unit: ■ 1 000 kg | ● 1,000 lb

Notes: 1. Working pressure with Power Boost = 37.5 MPa / 5,440 PSI. 2. The above values are in compliance with ISO standard 10 567. They do not exceed 87 % of hydraulic lifting capacity or 75 % of tipping load, with the machine on firm, level ground. 3. Load capacities marked with an asterisk (*) are limited by machine's hydraulic lifting capacity rather than tipping load.

Lifting point	Reach from machine centre (u = support up/d = support down)																				Max.									
	1.5 m, 5 ft				3.0 m, 10 ft				4.5 m, 15 ft				6.0 m, 20 ft				7.5 m, 25 ft					Max.								
	Across UC		Along UC		Across UC		Along UC		Across UC		Along UC		Across UC		Along UC		Across UC		Along UC			Across UC	Along UC							
	u	d	u	d	u	d	u	d	u	d	u	d	u	d	u	d	u	d	u	d	u	d	Max.							
Mono Boom: 5m, 16'5" Grab arm: 2.95m, 9'8" Front and rear outriggers	75m ■	-	-	-	-	-	-	-	-	-	-	-	-	-	-	-	-	-	-	-	-	-	-	3.2*	3.2*	3.2*	3.2*	5.6m		
	25ft ●	-	-	-	-	-	-	-	-	-	-	-	-	-	-	-	-	-	-	-	-	-	-	-	7.1*	7.1*	7.1*	7.1*	18.4ft	
	6m ■	-	-	-	-	-	-	-	-	-	-	-	-	3.1	4.0*	4.0*	4.0*	-	-	-	-	-	-	-	-	2.5	2.8*	2.8*	2.8*	6.8m
	20ft ●	-	-	-	-	-	-	-	-	-	-	-	-	6.8	8.8*	8.8*	8.8*	-	-	-	-	-	-	-	-	5.5	6.2*	6.2*	6.2*	22.3ft
	4.5m ■	-	-	-	-	-	-	-	-	-	-	-	-	3.1	4.2*	4.2*	4.2*	2.2	3.1*	3.1*	3.1*	2.1	2.7*	2.7*	2.7*	2.1	2.7*	2.7*	2.7*	7.6m
	15ft ●	-	-	-	-	-	-	-	-	-	-	-	-	6.8	9.3*	9.3*	9.3*	4.9	6.8*	6.8*	6.8*	4.6	6.0*	6.0*	6.0*	4.6	6.0*	6.0*	6.0*	24.9ft
	3m ■	-	-	-	-	-	-	-	-	4.4	5.8*	5.8*	5.8*	2.9	4.8*	4.8*	4.8*	4.4	4.8*	4.8*	4.8*	1.9	2.7*	2.7*	2.7*	1.9	2.7*	2.7*	2.7*	8.0m
	10ft ●	-	-	-	-	-	-	-	-	9.7	12.8*	12.8*	12.8*	6.4	10.6*	10.6*	10.6*	4.6	9.5	6.8	9.7*	4.2	6.0*	6.0*	6.0*	4.2	6.0*	6.0*	6.0*	26.2ft
	1.5m ■	-	-	-	-	-	-	-	-	4.1	7.2*	6.4	7.2*	2.8	5.5*	4.2	5.5*	2.1	4.2	3.1	4.7*	1.9	2.8*	2.8	2.8*	1.9	2.8*	2.8	2.8*	8.0m
	5ft ●	-	-	-	-	-	-	-	-	9.0	15.9*	14.1	15.9*	6.2	12.1*	9.3	12.1*	4.6	9.3	6.8	10.4*	4.2	6.2*	6.2	6.2*	4.2	6.2*	6.2	6.2*	26.2ft
	0m ■	-	-	-	-	6.1*	6.1*	6.1*	6.1*	3.9	8.2*	6.1	8.2*	2.7	5.7	4.1	6.0*	2.0	4.2	3.0	4.9*	1.9	3.0*	1.8	3.0*	1.9	3.0*	1.8	3.0*	7.8m
	0ft ●	-	-	-	-	13.4*	13.4*	13.4*	13.4*	8.6	18.1*	13.4	18.1*	6.0	12.6	9.0	13.2*	4.4	9.3	6.6	10.8*	4.2	6.6*	4.0	6.6*	4.0	6.6*	4.0	6.6*	25.6ft
	-1.5m ■	5.3*	5.3*	5.3*	5.3*	6.6	9.6*	9.6*	9.6*	3.8	8.4*	6.0	8.4*	2.6	5.7	4.0	6.2*	-	-	-	-	2.1	3.5*	3.1	3.5*	2.1	3.5*	3.1	3.5*	7.3m
	-5ft ●	11.7*	11.7*	11.7*	11.7*	14.6	21.2*	21.2*	21.2*	8.4	18.5*	13.2	18.5*	5.7	12.6	8.8	13.7*	-	-	-	-	4.6	7.7*	6.8	7.7*	4.6	7.7*	6.8	7.7*	24.0ft
	-3m ■	9.3*	9.3*	9.3*	9.3*	6.7	11.4*	11.4*	11.4*	3.8	7.8*	6.1	7.8*	2.6	5.6*	4.1	5.6*	-	-	-	-	2.5	4.5*	3.8	4.5*	2.5	4.5*	3.8	4.5*	6.4m
	-10ft ●	20.5*	20.5*	20.5*	20.5*	14.8	25.1*	25.1*	25.1*	8.4	17.2*	13.4	17.2*	5.7	12.3*	9.0	12.3*	-	-	-	-	5.5	9.9*	8.4	9.9*	5.5	9.9*	8.4	9.9*	21.0ft
-4.5m ■	-	-	-	-	-	-	-	-	4.0	5.6*	5.6*	5.6*	-	-	-	-	-	-	-	-	3.9	5.4*	5.4*	5.4*	3.9	5.4*	5.4*	5.4*	4.6m	
-15ft ●	-	-	-	-	-	-	-	-	8.8	12.3*	12.3*	12.3*	-	-	-	-	-	-	-	-	8.6	11.9*	11.9*	11.9*	8.6	11.9*	11.9*	11.9*	15.1ft	
Mono Boom: 5m, 16'5" Dipper Arm: 2m, 6'7" Rear dozer blade	6m ■	-	-	-	-	-	-	-	-	-	-	-	-	-	-	-	-	-	-	-	-	-	-	-	2.9	3.3	4.0*	4.0*	5.7m	
	20ft ●	-	-	-	-	-	-	-	-	-	-	-	-	-	-	-	-	-	-	-	-	-	-	-	6.4	7.3	8.8*	8.8*	18.7ft	
	4.5m ■	-	-	-	-	-	-	-	-	4.1	4.6	5.3*	5.3*	2.6	2.9	4.2	4.7*	-	-	-	-	2.2	2.5	3.7	3.8*	2.2	2.5	3.7	3.8*	6.5m
	15ft ●	-	-	-	-	-	-	-	-	9.0	10.1	11.7*	11.7*	5.7	6.4	9.3	10.4*	-	-	-	-	4.9	5.5	8.2	8.4*	4.9	5.5	8.2	8.4*	21.3ft
	3m ■	-	-	-	-	-	-	-	-	3.8	4.3	6.4	6.6*	2.5	2.8	4.1	5.2*	-	-	-	-	2.0	2.2	3.2	3.9*	2.0	2.2	3.2	3.9*	7.0m
	10ft ●	-	-	-	-	-	-	-	-	8.4	9.5	14.1	14.6*	5.5	6.2	9.0	11.5*	-	-	-	-	4.4	4.9	7.1	8.6*	4.4	4.9	7.1	8.6*	23.0ft
	1.5m ■	-	-	-	-	-	-	-	-	3.5	4.0	6.1	7.7*	2.4	2.7	4.0	5.7*	-	-	-	-	1.9	2.1	3.1	4.1*	1.9	2.1	3.1	4.1*	7.1m
	5ft ●	-	-	-	-	-	-	-	-	7.7	8.8	13.4	17.0*	5.3	6.0	8.8	12.6*	-	-	-	-	4.2	4.6	6.8	9.0*	4.2	4.6	6.8	9.0*	23.3ft
	0m ■	-	-	-	-	-	-	-	-	3.4	3.9	5.9	8.2*	2.3	2.6	3.9	6.0*	-	-	-	-	1.9	2.2	3.2	4.7*	1.9	2.2	3.2	4.7*	6.8m
	0ft ●	-	-	-	-	-	-	-	-	7.5	8.6	13.0	18.1*	5.1	5.7	8.6	13.2*	-	-	-	-	4.2	4.9	7.1	10.4*	4.2	4.9	7.1	10.4*	22.3ft
-1.5m ■	-	-	-	-	6.1	7.2	11.4*	11.4*	3.4	3.9	5.9	7.9*	2.3	2.6	3.9	5.7*	-	-	-	-	2.2	2.5	3.7	5.4*	2.2	2.5	3.7	5.4*	6.2m	
-5ft ●	-	-	-	-	13.4	15.9	25.1*	25.1*	7.5	8.6	13.0	17.4*	5.1	5.7	8.6	12.6*	-	-	-	-	4.9	5.5	8.2	11.9*	4.9	5.5	8.2	11.9*	20.3ft	
-3m ■	-	-	-	-	6.3	7.4	9.4*	9.4*	3.5	4.0	6.0	6.6*	-	-	-	-	-	-	-	-	3.0	3.4	5.0	5.5*	3.0	3.4	5.0	5.5*	5.1m	
-10ft ●	-	-	-	-	13.9	16.3	20.7*	20.7*	7.7	8.8	13.2	14.6*	-	-	-	-	-	-	-	-	6.6	7.5	11.0	12.1*	6.6	7.5	11.0	12.1*	16.7ft	
Mono Boom: 5m, 16'5" Arm: 2.45m, 8'0" Rear dozer blade	75m ■	-	-	-	-	-	-	-	-	-	-	-	-	-	-	-	-	-	-	-	-	-	-	-	-	-	-	-	4.8m	
	25ft ●	-	-	-	-	-	-	-	-	-	-	-	-	-	-	-	-	-	-	-	-	-	-	-	-	-	-	-	15.7ft	
	6m ■	-	-	-	-	-	-	-	-	-	-	-	-	2.7	3.0	4.0*	4.0*	-	-	-	-	2.5	2.8	3.2*	3.2*	2.5	2.8	3.2*	3.2*	6.2m
	20ft ●	-	-	-	-	-	-	-	-	-	-	-	-	6.0	6.6	8.8*	8.8*	-	-	-	-	5.5	6.2	7.1*	7.1*	5.5	6.2	7.1*	7.1*	20.3ft
	4.5m ■	-	-	-	-	-	-	-	-	4.1	4.6	4.8*	4.8*	2.6	3.0	4.2	4.3*	-	-	-	-	2.0	2.3	3.0*	3.0*	2.0	2.3	3.0*	3.0*	7.0m
	15ft ●	-	-	-	-	-	-	-	-	9.0	10.1	10.6*	10.6*	5.7	6.6	9.3	9.5*	-	-	-	-	4.4	5.1	6.6*	6.6*	4.4	5.1	6.6*	6.6*	23.0ft
	3m ■	-	-	-	-	-	-	-	-	3.8	4.3	6.1*	6.1*	2.5	2.8	4.1	4.9*	-	-	-	-	1.8	2.0	2.9	3.1*	1.8	2.0	2.9	3.1*	7.4m
	10ft ●	-	-	-	-	-	-	-	-	8.4	9.5	13.4*	13.4*	5.5	6.2	9.0	10.8*	-	-	-	-	4.0	4.4	6.4	6.8*	4.0	4.4	6.4	6.8*	24.3ft
	1.5m ■	-	-	-	-	-	-	-	-	3.5	4.0	6.1	7.4*	2.4	2.7	4.0	5.5*	1.7	1.9	2.8	3.3*	1.7	1.9	2.8	3.2*	1.7	1.9	2.8	3.2*	7.5m
	5ft ●	-	-	-	-	-	-	-	-	7.7	8.8	13.4	16.3*	5.3	6.0	8.8	12.1*	3.7	4.2	6.2	7.3*	3.7	4.2	6.2	7.1*	3.7	4.2	6.2	7.1*	24.6ft
	0m ■	-	-	-	-	6.0	6.0*	6.0*	6.0*	3.3	3.8	5.9	8.1*	2.3	2.6	3.8	5.9*	-	-	-	-	1.7	2.0	2.9	3.6*	1.7	2.0	2.9	3.6*	7.3m
	0ft ●	-	-	-	-	13.2	13.2*	13.2*	13.2*	7.3	8.4	13.0	17.9*	5.1	5.7	8.4	13.0*	-	-	-	-	3.7	4.4	6.4	7.9*	3.7	4.4	6.4	7.9*	24.0ft
-1.5m ■	6.2*	6.2*	6.2*	6.2*	6.0	7.0	10.9*	10.9*	3.3	3.8	5.8	8.0*	2.2	2.6	3.8	5.8*	-	-	-	-	1.9	2.2	3.3	4.4*	1.9	2.2	3.3	4.4*	6.7m	
-5ft ●	13.7*	13.7*	13.7*	13.7*	13.2	15.4	24.0*	24.0*	7.3	8.4	12.8	17.6*	4.9	5.7	8.4	12.8*	-	-	-	-	4.2	4.9	7.3	9.7*	4.2	4.9	7.3	9.7*	22.0ft	
-3m ■	-	-	-	-	6.1	7.2	10.3*	10.3*	3.4	3.9	5.9	7.1*	-	-	-	-	-	-	-	-	2.5	2.8	4.2	5.2*	2.5	2.8	4.2	5.2*	5.7m	
-10ft ●	-	-	-	-	13.4	15.9	22.7*	22.7*	7.5	8.6	13.0	15.7*	-	-	-	-	-	-	-	-	5.5	6.2	9.3	11.5*	5.5	6.2	9.3	11.5*	18.7ft	

LIFTING CAPACITY EW160E with heavy counterweight

At the arm end, without bucket and quick fit. For lifting capacity including bucket/quick fit, simply subtract actual weight of those parts from the following values. With heavy counterweight. Unit: ■ 1 000 kg | ● 1,000 lb
 Notes: 1. Working pressure with Power Boost = 37.5 MPa / 5,440 PSI. 2. The above values are in compliance with ISO standard 10 567. They do not exceed 87 % of hydraulic lifting capacity or 75 % of tipping load, with the machine on firm, level ground. 3. Load capacities marked with an asterisk (*) are limited by machine's hydraulic lifting capacity rather than tipping load.

Lifting point	Reach from machine centre (u = support up/d = support down)																				Max.								
	1.5 m, 5 ft				3.0 m, 10 ft				4.5 m, 15 ft				6.0 m, 20 ft				7.5 m, 25 ft					Max.							
	Across UC		Along UC		Across UC		Along UC		Across UC		Along UC		Across UC		Along UC		Across UC		Along UC			Across UC	Along UC						
	u	d	u	d	u	d	u	d	u	d	u	d	u	d	u	d	u	d	u	d		u	d	Max.					
Mono Boom: 5m, 16'5" Dipper arm: 2.6m, 8'6" Rear dozer blade	75m ■	-	-	-	-	-	-	-	-	-	-	-	-	-	-	-	-	-	-	-	-	-	3.4*	3.4*	3.4*	3.4*	5.0m		
	25ft ●	-	-	-	-	-	-	-	-	-	-	-	-	-	-	-	-	-	-	-	-	-	-	7.5*	7.5*	7.5*	7.5*	16.4ft	
	6m ■	-	-	-	-	-	-	-	-	-	-	-	-	-	2.7	3.0	4.0*	4.0*	-	-	-	-	-	-	2.4	2.7	2.9*	2.9*	6.4m
	20ft ●	-	-	-	-	-	-	-	-	-	-	-	-	-	6.0	6.6	8.8*	8.8*	-	-	-	-	-	-	5.3	6.0	6.4*	6.4*	21.0ft
	4.5m ■	-	-	-	-	-	-	-	-	-	4.1	4.6*	4.6*	4.6*	2.6	3.0	4.2*	4.2*	-	-	-	-	-	-	1.9	2.2	2.8*	2.8*	7.2m
	15ft ●	-	-	-	-	-	-	-	-	-	9.0	10.1*	10.1*	10.1*	5.7	6.6	9.3*	9.3*	-	-	-	-	-	-	4.2	4.9	6.2*	6.2*	23.6ft
	3m ■	-	-	-	-	-	-	-	-	-	3.8	4.3	5.9*	5.9*	2.5	2.8	4.1	4.8*	-	-	-	-	-	-	1.7	1.9	2.8*	2.8*	7.6m
	10ft ●	-	-	-	-	-	-	-	-	-	8.4	9.5	13.0*	13.0*	5.5	6.2	9.0	10.6*	3.7	4.4	6.4	7.3*	3.7	4.2	6.2*	6.2*	24.9ft		
	1.5m ■	-	-	-	-	-	-	-	-	-	3.5	4.0	6.1	7.2*	2.3	2.7	4.0	5.4*	1.7	1.9	2.8	4.1*	1.6	1.9	2.7	3.0*	7.6m		
	5ft ●	-	-	-	-	-	-	-	-	-	7.7	8.8	13.4	15.9*	5.1	6.0	8.8	11.9*	3.7	4.2	6.2	9.0*	3.5	4.2	6.0	6.6*	24.9ft		
	0m ■	-	-	-	-	-	5.9	6.2*	6.2*	6.2*	3.3	3.8	5.9	8.0*	2.2	2.6	3.8	5.8*	-	-	-	-	-	-	1.7	1.9	2.8	3.4*	7.4m
	0ft ●	-	-	-	-	-	13.0	13.7*	13.7*	13.7*	7.3	8.4	13.0	17.6*	4.9	5.7	8.4	12.8*	-	-	-	-	-	-	3.7	4.2	6.2	7.5*	24.3ft
	-1.5m ■	6.0*	6.0*	6.0*	6.0*	5.9	7.0	10.5*	10.5*	3.3	3.8	5.8	8.1*	2.2	2.5	3.8	5.9*	-	-	-	-	-	-	1.9	2.1	3.2	4.1*	6.9m	
	-5ft ●	13.2*	13.2*	13.2*	13.2*	13.0	15.4	23.1*	23.1*	7.3	8.4	12.8	17.9*	4.9	5.5	8.4	13.0*	-	-	-	-	-	-	4.2	4.6	7.1	9.0*	22.6ft	
	-3m ■	-	-	-	-	-	6.1	7.1	10.6*	10.6*	3.3	3.8	5.9	7.2*	-	-	-	-	-	-	-	-	-	-	2.3	2.7	4.0	5.1*	5.9m
	-10ft ●	-	-	-	-	-	13.4	15.7	23.4*	23.4*	7.3	8.4	13.0	15.9*	-	-	-	-	-	-	-	-	-	-	5.1	6.0	8.8	11.2*	19.4ft
Mono Boom: 5m, 16'5" Dipper arm: 3.1m, 10'2" Rear dozer blade	75m ■	-	-	-	-	-	-	-	-	-	-	-	-	-	-	-	-	-	-	-	-	-	-	2.6*	2.6*	2.6*	2.6*	5.7m	
	25ft ●	-	-	-	-	-	-	-	-	-	-	-	-	-	-	-	-	-	-	-	-	-	-	-	5.7*	5.7*	5.7*	18.7ft	
	6m ■	-	-	-	-	-	-	-	-	-	-	-	-	-	2.7	3.1	3.5*	3.5*	-	-	-	-	-	-	2.1	2.4	2.4*	2.4*	6.9m
	20ft ●	-	-	-	-	-	-	-	-	-	-	-	-	-	6.0	6.8	7.7*	7.7*	-	-	-	-	-	-	4.6	5.3	5.3*	5.3*	22.6ft
	4.5m ■	-	-	-	-	-	-	-	-	-	-	-	-	-	2.7	3.0	3.8*	3.8*	1.8	2.0	2.9*	2.9*	1.7	2.0	2.3*	2.3*	7.7m		
	15ft ●	-	-	-	-	-	-	-	-	-	-	-	-	-	6.0	6.6	8.4*	8.4*	4.0	4.4	6.4*	6.4*	3.7	4.4	5.1*	5.1*	25.3ft		
	3m ■	-	-	-	-	-	7.2	7.7*	7.7*	7.7*	3.9	4.4	5.3*	5.3*	2.5	2.9	4.1	4.4*	1.7	2.0	2.9	4.0*	1.5	1.8	2.3*	2.3*	8.0m		
	10ft ●	-	-	-	-	-	15.9	17.0*	17.0*	17.0*	8.6	9.7	11.7*	11.7*	5.5	6.4	9.0	9.7*	3.7	4.4	6.4	8.8*	3.3	4.0	5.1*	5.1*	26.2ft		
	1.5m ■	-	-	-	-	-	-	-	-	-	3.6	4.1	6.1	6.8*	2.4	2.7	4.0	5.1*	1.7	1.9	2.8	4.3*	1.5	1.7	2.4*	2.4*	8.1m		
	5ft ●	-	-	-	-	-	-	-	-	-	7.9	9.0	13.4	15.0*	5.3	6.0	8.8	11.2*	3.7	4.2	6.2	9.5*	3.3	3.7	5.3*	5.3*	26.6ft		
	0m ■	-	-	-	-	-	5.9	6.6*	6.6*	6.6*	3.3	3.8	5.9	7.8*	2.2	2.6	3.8	5.7*	1.6	1.9	2.8	4.5*	1.5	1.7	2.6	2.7*	7.9m		
	0ft ●	-	-	-	-	-	13.0	14.6*	14.6*	14.6*	7.3	8.4	13.0	17.2*	4.9	5.7	8.4	12.6*	3.5	4.2	6.2	9.9*	3.3	3.7	5.7	6.0*	25.9ft		
	-1.5m ■	5.3*	5.3*	5.3*	5.3*	5.8	6.9	9.6*	9.6*	3.2	3.7	5.8	8.1*	2.2	2.5	3.8	5.9*	-	-	-	-	-	-	1.6	1.9	2.8	3.1*	7.4m	
	-5ft ●	11.7*	11.7*	11.7*	11.7*	12.8	15.2	21.2*	21.2*	7.1	8.2	12.8	17.9*	4.9	5.5	8.4	13.0*	-	-	-	-	-	-	3.5	4.2	6.2	6.8*	24.3ft	
	-3m ■	9.0*	9.0*	9.0*	9.0*	5.9	7.0	11.3*	11.3*	3.2	3.7	5.8	7.6*	2.2	2.5	3.8	5.4*	-	-	-	-	-	-	2.0	2.3	3.4	4.2*	6.5m	
	-10ft ●	19.8*	19.8*	19.8*	19.8*	13.0	15.4	24.9*	24.9*	7.1	8.2	12.8	16.8*	4.9	5.5	8.4	11.9*	-	-	-	-	-	-	4.4	5.1	7.5	9.3*	21.3ft	
-4.5m ■	-	-	-	-	-	6.2	7.3	8.6*	8.6*	3.4	3.9	5.7*	5.7*	-	-	-	-	-	-	-	-	-	-	3.0	3.4	4.8*	4.8*	4.9m	
-15ft ●	-	-	-	-	-	13.7	16.1	19.0*	19.0*	7.5	8.6	12.6*	12.6*	-	-	-	-	-	-	-	-	-	-	6.6	7.5	10.6*	10.6*	16.1ft	
Mono Boom: 5m, 16'5" Grab arm: 2.95m, 9'8" Rear dozer blade	75m ■	-	-	-	-	-	-	-	-	-	-	-	-	-	-	-	-	-	-	-	-	-	-	3.2*	3.2*	3.2*	3.2*	5.6m	
	25ft ●	-	-	-	-	-	-	-	-	-	-	-	-	-	-	-	-	-	-	-	-	-	-	-	7.1*	7.1*	7.1*	18.4ft	
	6m ■	-	-	-	-	-	-	-	-	-	-	-	-	-	2.9	2.0	4.0*	4.0*	-	-	-	-	-	-	2.4	1.5	2.8*	2.8*	6.8m
	20ft ●	-	-	-	-	-	-	-	-	-	-	-	-	-	6.4	4.4	8.8*	8.8*	-	-	-	-	-	-	5.3	3.3	6.2*	6.2*	22.3ft
	4.5m ■	-	-	-	-	-	-	-	-	-	-	-	-	-	2.9	1.9	4.2*	4.2*	2.0	1.3	3.1*	3.1*	2.0	1.3	2.7*	2.7*	7.6m		
	15ft ●	-	-	-	-	-	-	-	-	-	-	-	-	-	6.4	4.2	9.3*	9.3*	4.4	2.9	6.8*	6.8*	4.4	2.9	6.0*	6.0*	24.9ft		
	3m ■	-	-	-	-	-	-	-	-	-	4.1	2.7	5.8*	5.8*	2.8	1.8	4.4	4.8*	2.0	1.3	3.1	4.4*	1.8	1.1	2.7*	2.7*	8.0m		
	10ft ●	-	-	-	-	-	-	-	-	-	9.0	6.0	12.8*	12.8*	6.2	4.0	9.7	10.6*	4.4	2.9	6.8	9.7*	4.0	2.4	6.0*	6.0*	26.2ft		
	1.5m ■	-	-	-	-	-	-	-	-	-	3.8	2.4	6.4	7.2*	2.6	1.7	4.2	5.5*	1.9	1.2	3.1	4.7*	1.7	1.1	2.8	2.8*	8.0m		
	5ft ●	-	-	-	-	-	-	-	-	-	8.4	5.3	14.1	15.9*	5.7	3.7	9.3	12.1*	4.2	2.6	6.8	10.4*	3.7	2.4	6.2	6.2*	26.2ft		
	0m ■	-	-	-	-	-	6.1*	3.5	6.1*	6.1*	3.6	2.2	6.1	8.2*	2.5	1.5	4.1	6.0*	1.9	1.2	3.0	4.9*	1.8	1.1	2.8	3.0*	7.8m		
	0ft ●	-	-	-	-	-	13.4*	7.7	13.4*	13.4*	7.9	4.9	13.4	18.1*	5.5	3.3	9.0	13.2*	4.2	2.6	6.6	10.8*	4.0	2.4	6.2	6.6*	25.6ft		
	-1.5m ■	5.3*	5.3*	5.3*	5.3*	6.2	3.5	9.6*	9.6*	3.5	2.1	6.0	8.4*	2.4	1.5	4.0	6.2*	-	-	-	-	-	-	1.9	1.2	3.1	3.5*	7.3m	
	-5ft ●	11.7*	11.7*	11.7*	11.7*	13.7	7.7	21.2*	21.2*	7.7	4.6	13.2	18.5*	5.3	3.3	8.8	13.7*	-	-	-	-	-	-	4.2	2.6	6.8	7.7*	24.0ft	
	-3m ■	9.3*	9.3*	9.3*	9.3*	6.3	3.6	11.4*	11.4*	3.5	2.1	6.1	7.8*	2.5	1.5	4.1	5.6*	-	-	-	-	-	-	2.3	1.4	3.8	4.5*	6.4m	
	-10ft ●	20.5*	20.5*	20.5*	20.5*	13.9	7.9	25.1*	25.1*	7.7	4.6	13.4	17.2*	5.5	3.3	9.0	12.3*	-	-	-	-	-	-	5.1	3.1	8.4	9.9*	21.0ft	
-4.5m ■	-	-	-	-	-	-	-	-	-	3.7	2.3	5.6*	5.6*	-	-	-	-	-	-	-	-	-	-	3.6	2.2	5.4*	5.4*	4.6m	
-15ft ●	-	-	-	-	-	-	-	-	-	8.2	5.1	12.3*	12.3*	-	-	-	-	-	-	-	-	-	-	7.9	4.9	11.9*	11.9*	15.1ft	

Specifications

LIFTING CAPACITY EW160E with heavy counterweight

At the arm end, without bucket and quick fit. For lifting capacity including bucket/quick fit, simply subtract actual weight of those parts from the following values. With heavy counterweight. Unit: ■ 1 000 kg | ● 1,000 lb

Notes: 1. Working pressure with Power Boost = 37.5 MPa / 5,440 PSI. 2. The above values are in compliance with ISO standard 10 567. They do not exceed 87 % of hydraulic lifting capacity or 75 % of tipping load, with the machine on firm, level ground. 3. Load capacities marked with an asterisk (*) are limited by machine's hydraulic lifting capacity rather than tipping load.

Lifting point	Reach from machine centre (u = support up/d = support down)																				Max.									
	1.5 m, 5 ft				3.0 m, 10 ft				4.5 m, 15 ft				6.0 m, 20 ft				7.5 m, 25 ft													
	Across UC		Along UC		Across UC		Along UC		Across UC		Along UC		Across UC		Along UC		Across UC		Along UC											
	u	d	u	d	u	d	u	d	u	d	u	d	u	d	u	d	u	d	u	d										
2-piece Boom: 5.1m, 16'9" Dipper arm: 2m, 6'7" Front dozer blade Rear outriggers	75m ■	-	-	-	-	-	-	-	-	-	-	-	-	-	-	-	-	-	-	4.7	5.2*	5.3*	5.2*	4.3m						
	25ft ●	-	-	-	-	-	-	-	-	-	-	-	-	-	-	-	-	-	-	-	10.4	11.5*	11.7*	11.5*	14.1ft					
	6m ■	-	-	-	-	-	-	-	4.5	4.8*	4.8*	4.8*	-	-	-	-	-	-	-	-	2.9	4.4*	4.4*	4.4*	5.8m					
	20ft ●	-	-	-	-	-	-	-	9.9	10.6*	10.6*	10.6*	-	-	-	-	-	-	-	-	6.4	9.7*	9.7*	9.7*	19.0ft					
	4.5m ■	-	-	-	-	7.5*	7.4*	7.5*	7.4*	4.3	5.5*	5.6*	5.5*	2.7	4.6	4.2	4.9*	-	-	-	2.3	3.9	3.5	4.2*	6.7m					
	15ft ●	-	-	-	-	16.5*	16.3*	16.5*	16.3*	9.5	12.1*	12.3*	12.1*	6.0	10.1	9.3	10.8*	-	-	-	5.1	8.6	7.7	9.3*	22.0ft					
	3m ■	-	-	-	-	-	-	-	-	3.9	6.8*	6.4	6.8*	2.6	4.5	4.1	5.3*	-	-	-	2.0	3.4	3.2	4.2*	7.1m					
	10ft ●	-	-	-	-	-	-	-	-	8.6	15.0*	14.1	15.0*	5.7	9.9	9.0	11.7*	-	-	-	4.4	7.5	7.1	9.3*	23.3ft					
	1.5m ■	-	-	-	-	-	-	-	-	3.7	6.7	6.1	8.0*	2.5	4.4	4.0	5.9*	-	-	-	1.9	3.3	3.0	4.4*	7.2m					
	5ft ●	-	-	-	-	-	-	-	-	8.2	14.8	13.4	17.6*	5.5	9.7	8.8	13.0*	-	-	-	4.2	7.3	6.6	9.7*	23.6ft					
	0m ■	-	-	-	-	-	-	-	-	3.6	6.5	5.9	8.4*	2.4	4.3	3.9	6.1*	-	-	-	2.0	3.5	3.2	5.0*	7.0m					
	0ft ●	-	-	-	-	-	-	-	-	7.9	14.3	13.0	18.5*	5.3	9.5	8.6	13.4*	-	-	-	4.4	7.7	7.1	11.0*	23.0ft					
	-1.5m ■	-	-	-	-	6.5	10.4	10.4*	10.4*	3.5	6.5	5.9	8.0*	2.4	4.3	3.9	5.8*	-	-	-	2.3	3.9	3.6	5.3*	6.4m					
	-5ft ●	-	-	-	-	14.3	22.9	22.9*	22.9*	7.7	14.3	13.0	17.6*	5.3	9.5	8.6	12.8*	-	-	-	5.1	8.6	7.9	11.7*	21.0ft					
2-piece Boom: 5.1m, 16'9" Dipper Arm: 2.45m, 8'0" Front dozer blade Rear outriggers	75m ■	-	-	-	-	-	-	-	-	4.4*	4.4*	4.4*	4.4*	-	-	-	-	-	-	3.7	4.0*	4.0*	4.0*	5.0m						
	25ft ●	-	-	-	-	-	-	-	-	9.7*	9.7*	9.7*	9.7*	-	-	-	-	-	-	8.2	8.8*	8.8*	8.8*	16.4ft						
	6m ■	-	-	-	-	-	-	-	-	4.2*	4.2*	4.2*	4.2*	2.8	4.3*	4.3*	4.3*	-	-	-	2.5	3.5*	3.5*	3.5*	6.4m					
	20ft ●	-	-	-	-	-	-	-	-	9.3*	9.3*	9.3*	9.3*	6.2	9.5*	9.5*	9.5*	-	-	-	5.5	7.7*	7.7*	7.7*	21.0ft					
	4.5m ■	-	-	-	-	-	-	-	4.3	5.0*	5.0*	5.0*	2.8	4.5*	4.3	4.5*	-	-	-	2.0	3.3*	3.2	3.3*	7.2m						
	15ft ●	-	-	-	-	-	-	-	-	9.5	11.0*	11.0*	11.0*	6.2	9.9*	9.5	9.9*	-	-	-	4.4	7.3*	7.1	7.3*	23.6ft					
	3m ■	-	-	-	-	-	-	-	-	4.0	6.3*	6.3*	6.3*	2.6	4.5	4.1	5.0*	1.8	3.2	2.9	3.8*	1.8	3.1	2.9	3.3*	7.6m				
	10ft ●	-	-	-	-	-	-	-	-	8.8	13.9*	13.9*	13.9*	5.7	9.9	9.0	11.0*	4.0	7.1	6.4	8.4*	4.0	6.8	6.4	7.3*	24.9ft				
	1.5m ■	-	-	-	-	-	-	-	-	3.7	6.7	6.1	7.6*	2.5	4.3	4.0	5.6*	1.8	3.1	2.9	4.7*	1.7	3.0	2.8	3.5*	7.7m				
	5ft ●	-	-	-	-	-	-	-	-	8.2	14.8	13.4	16.8*	5.5	9.5	8.8	12.3*	4.0	6.8	6.4	10.4*	3.7	6.6	6.2	7.7*	25.3ft				
	0m ■	-	-	-	-	-	-	-	-	3.5	6.5	5.9	8.3*	2.4	4.2	3.9	6.0*	-	-	-	1.8	3.1	2.9	3.9*	7.4m					
	0ft ●	-	-	-	-	-	-	-	-	7.7	14.3	13.0	18.3*	5.3	9.3	8.6	13.2*	-	-	-	4.0	6.8	6.4	8.6*	24.3ft					
	-1.5m ■	-	-	-	-	6.3	9.4*	9.4*	9.4*	3.5	6.4	5.8	8.2*	2.4	4.2	3.8	6.0*	-	-	-	2.0	3.5	3.2	4.6*	6.9m					
	-5ft ●	-	-	-	-	13.9	20.7*	20.7*	20.7*	7.7	14.1	12.8	18.1*	5.3	9.3	8.4	13.2*	-	-	-	4.4	7.7	7.1	10.1*	22.6ft					
-3m ■	-	-	-	-	-	-	-	-	3.6	6.5	5.9	7.2*	-	-	-	-	-	-	-	2.7	4.8	4.4	5.6*	5.5m						
-10ft ●	-	-	-	-	-	-	-	-	7.9	14.3	13.0	15.9*	-	-	-	-	-	-	-	6.0	10.6	9.7	12.3*	18.0ft						
2-piece Boom: 5.1m, 16'9" Dipper Arm: 2.6m, 8'6" Front dozer blade Rear outriggers	75m ■	-	-	-	-	-	-	-	-	-	-	-	-	-	-	-	-	-	-	3.5	3.7*	3.7*	3.7*	5.2m						
	25ft ●	-	-	-	-	-	-	-	-	-	-	-	-	-	-	-	-	-	-	7.7	8.2*	8.2*	8.2*	17.1ft						
	6m ■	-	-	-	-	-	-	-	-	-	-	-	-	2.8	4.1*	4.1*	4.1*	-	-	-	2.4	3.2*	3.2*	3.2*	6.5m					
	20ft ●	-	-	-	-	-	-	-	-	-	-	-	-	6.2	9.0*	9.0*	9.0*	-	-	-	5.3	7.1*	7.1*	7.1*	21.3ft					
	4.5m ■	-	-	-	-	-	-	-	4.3	4.8*	4.8*	4.8*	2.8	4.4*	4.3	4.4*	-	-	-	2.0	3.1*	3.1	3.1*	7.3m						
	15ft ●	-	-	-	-	-	-	-	-	9.5	10.6*	10.6*	10.6*	6.2	9.7*	9.5	9.7*	-	-	-	4.4	6.8*	6.8	6.8*	24.0ft					
	3m ■	-	-	-	-	-	-	-	-	4.0	6.2*	6.2*	6.2*	2.6	4.5	4.1	4.9*	1.8	3.2	2.9	4.3*	1.8	3.0	2.8	3.1*	7.7m				
	10ft ●	-	-	-	-	-	-	-	-	8.8	13.7*	13.7*	13.7*	5.7	9.9	9.0	10.8*	4.0	7.1	6.4	9.5*	4.0	6.6	6.2	6.8*	25.3ft				
	1.5m ■	-	-	-	-	-	-	-	-	3.7	6.7	6.1	7.5*	2.5	4.3	4.0	5.5*	1.8	3.1	2.8	4.6*	1.7	2.9	2.7	3.3*	7.8m				
	5ft ●	-	-	-	-	-	-	-	-	8.2	14.8	13.4	16.5*	5.5	9.5	8.8	12.1*	4.0	6.8	6.2	10.1*	3.7	6.4	6.0	7.3*	25.6ft				
	0m ■	-	-	-	-	-	-	-	-	4.7*	4.7*	4.7*	4.7*	3.5	6.5	5.9	8.2*	2.4	4.2	3.8	6.0*	1.7	3.1	2.8	3.6*	7.6m				
	0ft ●	-	-	-	-	-	-	-	-	10.4*	10.4*	10.4*	10.4*	7.7	14.3	13.0	18.1*	5.3	9.3	8.4	13.2*	3.7	6.8	6.2	7.9*	24.9ft				
	-1.5m ■	-	-	-	-	6.3	9.1*	9.1*	9.1*	3.4	6.4	5.8	8.2*	2.3	4.2	3.8	6.0*	-	-	-	1.9	3.4	3.1	4.3*	7.0m					
	-5ft ●	-	-	-	-	13.9	20.1*	20.1*	20.1*	7.5	14.1	12.8	18.1*	5.1	9.3	8.4	13.2*	-	-	-	4.2	7.5	6.8	9.5*	23.0ft					
-3m ■	-	-	-	-	-	-	-	-	3.5	6.5	5.9	7.3*	-	-	-	-	-	-	-	2.4	4.3	4.0	5.2*	5.9m						
-10ft ●	-	-	-	-	-	-	-	-	7.7	14.3	13.0	16.1*	-	-	-	-	-	-	-	5.3	9.5	8.8	11.5*	19.4ft						
2-piece Boom: 5.1m, 16'9" Dipper Arm: 3.1m, 10'2" Front dozer blade Rear outriggers	75m ■	-	-	-	-	-	-	-	-	-	-	-	-	-	-	-	-	-	-	2.9	2.9*	2.9*	2.9*	5.9m						
	25ft ●	-	-	-	-	-	-	-	-	-	-	-	-	-	-	-	-	-	-	6.4	6.4*	6.4*	6.4*	19.4ft						
	6m ■	-	-	-	-	-	-	-	-	-	-	-	-	2.9	3.7*	3.7*	3.7*	-	-	-	2.1	2.6*	2.6*	2.6*	7.1m					
	20ft ●	-	-	-	-	-	-	-	-	-	-	-	-	6.4	8.2*	8.2*	8.2*	-	-	-	4.6	5.7*	5.7*	5.7*	23.3ft					
	4.5m ■	-	-	-	-	-	-	-	4.2*	4.2*	4.2*	4.2*	2.8	4.0*	4.0*	4.0*	1.9	3.1	3.0	3.5*	1.7	2.5*	2.5*	2.5*	7.8m					
	15ft ●	-	-	-	-	-	-	-	-	9.3*	9.3*	9.3*	9.3*	6.2	8.8*	8.8*	8.8*	4.2	6.8	6.6	7.7*	3.7	5.5*	5.5*	5.5*	25.6ft				
	3m ■	-	-	-	-	-	-	-	-	4.1	5.6*	5.6*	5.6*	2.6	4.3	4.2	4.6*	1.8	3.0	2.9	4.1*	1.6	2.5*	2.5*	2.5*	8.2m				
	10ft ●	-	-	-	-	-	-	-	-	9.0	12.3*	12.3*	12.3*	5.7	9.5	9.3	10.1*	4.0	6.6	6.4	9.0*	3.5	5.5*	5.5*	5.5*	26.9ft				
	1.5m ■	-	-	-	-	-	-	-	-	3.7	6.4	6.1	7.0*	2.5	4.1	4.0	5.3*	1.8	2.9	2.8	4.4*	1.5	2.5	2.4	2.6*	8.3m				
	5ft ●	-	-	-	-	-	-	-	-	8.2	14.1	13.4	15.4*	5.5	9.0	8.8	11.7*	4.0	6.4	6.2	9.7*	3.3	5.5	5.3	5.7*	27.2ft				
	0m ■	-	-	-	-	-	-	-	-	5.2*	5.2*	5.2*	5.2*	3.5	6.1	5.9	8.0*	2.4	4.0	3.8	5.8*	1.7	2.9	2.8	2.9*	8.1m				
	0ft ●	-	-	-	-	-	-	-	-	11.5*	11.5*	11.5*	11.5*	7.7	13.4	13.0	17.6*	5.3	8.8	8.4	12.8*	3.7	6.4	6.2	10.1*	3.3	5.7	5.5	6.4*	26.6ft
	-1.5m ■	-	-	-	-	6.2	8.3*	8.3*	8.3*	3.4	6.0	5.8	8.2*	2.3	3.9	3.8	6.0*	1.7	2.9	2.8	3.8*	1.7	2.8	2.7	3.3*	7.6m				
	-5ft ●	-	-	-	-	13.7	18.3*	18.3*	18.3*	7.5	13.2	12.8	18.1*	5.1	8.6	8.4	13.2*	3.7	6.4	6.2	8.4*	3.7	6.2	6.0	7.3*	24.9ft				
-3m ■	-	-	-	-	6.3	11.3*	11.3*	11.3*	3.4	6.1	5.8	7.7*	2.3	3.9	3.8	5.5*	-	-	-	2.0	3.4	3.3	4.3*	6.7m						
-10ft ●	-	-	-	-	13.9	24.9*	24.9*	24.9*	7.5	13.4	12.8	17.0*	5.1	8.6	8.4	12.1*	-	-	-	4.4	7.5	7.3	9.5*	22.0ft						

LIFTING CAPACITY EW160E with heavy counterweight

At the arm end, without bucket and quick fit. For lifting capacity including bucket/quick fit, simply subtract actual weight of those parts from the following values. With heavy counterweight. Unit: ■ 1 000 kg | ● 1,000 lb
 Notes: 1. Working pressure with Power Boost = 37.5 MPa / 5,440 PSI. 2. The above values are in compliance with ISO standard 10 567. They do not exceed 87 % of hydraulic lifting capacity or 75 % of tipping load, with the machine on firm, level ground. 3. Load capacities marked with an asterisk (*) are limited by machine's hydraulic lifting capacity rather than tipping load.

	Lifting point	Reach from machine centre (u = support up/d = support down)																		Max.						
		1.5 m, 5 ft				3.0 m, 10 ft				4.5 m, 15 ft				6.0 m, 20 ft				7.5 m, 25 ft								
		Across UC		Along UC		Across UC		Along UC		Across UC		Along UC		Across UC		Along UC		Across UC			Along UC					
		u	d	u	d	u	d	u	d	u	d	u	d	u	d	u	d	u	d		u	d				
2-piece Boom: 5.1m, 16'9" Grab Arm: 2.95m, 9'8" Front dozer blade Rear outriggers	75m ■	-	-	-	-	-	-	-	-	-	-	-	-	-	-	-	-	-	-	3.2	3.5*	3.5*	3.5*	5.8m		
	25ft ●	-	-	-	-	-	-	-	-	-	-	-	-	-	-	-	-	-	-	-	7.1	7.7*	7.7*	7.7*	19.0ft	
	6m ■	-	-	-	-	-	-	-	-	-	-	-	-	3.1	4.1*	4.1*	-	-	-	-	2.4	3.1*	3.1*	3.1*	7.0m	
	20ft ●	-	-	-	-	-	-	-	-	-	-	-	6.8	9.0*	9.0*	9.0*	-	-	-	-	5.3	6.8*	6.8*	6.8*	23.0ft	
	4.5m ■	-	-	-	-	-	-	-	4.6	4.7*	4.7*	4.7*	3.0	4.4*	4.4*	4.4*	2.1	3.5	3.2	3.9*	2.0	2.9*	2.9*	2.9*	7.7m	
	15ft ●	-	-	-	-	-	-	-	10.1	10.4*	10.4*	10.4*	6.6	9.7*	9.7*	9.7*	4.6	7.7	7.1	8.6*	4.4	6.4*	6.4*	6.4*	25.3ft	
	3m ■	-	-	-	-	-	-	-	4.3	6.1*	6.1*	6.1*	2.9	4.8	4.4	5.0*	2.1	3.4	3.2	4.5*	1.8	2.9*	2.8	2.9*	8.1m	
	10ft ●	-	-	-	-	-	-	-	9.5	13.4*	13.4*	13.4*	6.4	10.6	9.7	11.0*	4.6	7.5	7.1	9.9*	4.0	6.4*	6.2	6.4*	26.6ft	
	1.5m ■	-	-	-	-	-	-	-	4.0	7.0	6.4	7.5*	2.7	4.6	4.2	5.7*	2.0	3.3	3.1	4.8*	1.8	3.0	2.7	3.0*	8.2m	
	5ft ●	-	-	-	-	-	-	-	8.8	15.4	14.1	16.5*	6.0	10.1	9.3	12.6*	4.4	7.3	6.8	10.6*	4.0	6.6	6.0	6.6*	26.9ft	
	0m ■	-	-	-	-	-	-	-	3.8	6.8	6.1	8.4*	2.6	4.5	4.1	6.2*	2.0	3.3	3.0	5.0*	1.8	3.0	2.8	3.2*	8.0m	
	0ft ●	-	-	-	-	-	-	-	8.4	15.0	13.4	18.5*	5.7	9.9	9.0	13.7*	4.4	7.3	6.6	11.0*	4.0	6.6	6.2	7.1*	26.2ft	
	-1.5m ■	-	-	-	-	6.5	8.2*	8.2*	8.2*	3.7	6.7	6.1	8.5*	2.6	4.4	4.0	6.3*	-	-	-	-	2.0	3.3	3.0	3.7*	7.5m
	-5ft ●	-	-	-	-	14.3	18.1*	18.1*	18.1*	8.2	14.8	13.4	18.7*	5.7	9.7	8.8	13.9*	-	-	-	-	4.4	7.3	6.6	8.2*	24.6ft
	-3m ■	-	-	-	-	6.6	11.5*	11.5*	11.5*	3.7	6.7	6.1	7.9*	2.6	4.4	4.1	5.7*	-	-	-	-	2.4	4.0	3.7	4.8*	6.5m
	-10ft ●	-	-	-	-	14.6	25.4*	25.4*	25.4*	8.2	14.8	13.4	17.4*	5.7	9.7	9.0	12.6*	-	-	-	-	5.3	8.8	8.2	10.6*	21.3ft
2-piece Boom: 5.1m, 16'9" Dipper Arm: 2m, 6'7" Front and rear outriggers	75m ■	-	-	-	-	-	-	-	-	-	-	-	-	-	-	-	-	-	-	-	4.7	5.2*	5.3*	5.2*	4.3m	
	25ft ●	-	-	-	-	-	-	-	-	-	-	-	-	-	-	-	-	-	-	-	10.4	11.5*	11.7*	11.5*	14.1ft	
	6m ■	-	-	-	-	-	-	-	4.5	4.8*	4.8*	4.8*	-	-	-	-	-	-	-	-	2.9	4.4*	4.4*	4.4*	5.8m	
	20ft ●	-	-	-	-	-	-	-	9.9	10.6*	10.6*	10.6*	-	-	-	-	-	-	-	-	6.4	9.7*	9.7*	9.7*	19.0ft	
	4.5m ■	-	-	-	-	7.5*	7.4*	7.5*	7.4*	4.3	5.5*	5.6*	5.5*	2.8	4.9*	4.2	4.9*	-	-	-	-	2.3	4.2*	3.5	4.2*	6.7m
	15ft ●	-	-	-	-	16.5*	16.3*	16.5*	16.3*	9.5	12.1*	12.3*	12.1*	6.2	10.8*	9.3	10.8*	-	-	-	-	5.1	9.3*	7.7	9.3*	22.0ft
	3m ■	-	-	-	-	-	-	-	4.0	6.8*	6.3	6.8*	2.7	5.3*	4.1	5.3*	-	-	-	-	2.0	4.2*	3.1	4.2*	7.1m	
	10ft ●	-	-	-	-	-	-	-	8.8	15.0*	13.9	15.0*	6.0	11.7*	9.0	11.7*	-	-	-	-	4.4	9.3*	6.8	9.3*	23.3ft	
	1.5m ■	-	-	-	-	-	-	-	3.7	8.0*	6.0	8.0*	2.5	5.6	4.0	5.9*	-	-	-	-	1.9	4.2	3.0	4.4*	7.2m	
	5ft ●	-	-	-	-	-	-	-	8.2	17.6*	13.2	17.6*	5.5	12.3	8.8	13.0*	-	-	-	-	4.2	9.3	6.6	9.7*	23.6ft	
	0m ■	-	-	-	-	-	-	-	3.6	8.4*	5.9	8.4*	2.5	5.5	3.9	6.1*	-	-	-	-	2.0	4.4	3.1	5.0*	7.0m	
	0ft ●	-	-	-	-	-	-	-	7.9	18.5*	13.0	18.5*	5.5	12.1	8.6	13.4*	-	-	-	-	4.4	9.7	6.8	11.0*	23.0ft	
	-1.5m ■	-	-	-	-	6.6	10.4	10.4*	10.4*	3.6	8.0	5.9	8.0*	2.5	5.5	3.9	5.8*	-	-	-	-	2.3	5.1	3.6	5.3*	6.4m
	-5ft ●	-	-	-	-	14.6	22.9	22.9*	22.9*	7.9	17.6	13.0	17.6*	5.5	12.1	8.6	12.8*	-	-	-	-	5.1	11.2	7.9	11.7*	21.0ft
	2-piece Boom: 5.1m, 16'9" Dipper Arm: 2.45m, 8'0" Front and rear outriggers	75m ■	-	-	-	-	-	-	-	4.4*	4.4*	4.4*	4.4*	-	-	-	-	-	-	-	-	3.8	4.0*	4.0*	4.0*	5.0m
		25ft ●	-	-	-	-	-	-	-	9.7*	9.7*	9.7*	9.7*	-	-	-	-	-	-	-	-	8.4	8.8*	8.8*	8.8*	16.4ft
6m ■		-	-	-	-	-	-	-	4.2*	4.2*	4.2*	4.2*	2.8	4.3*	4.3	4.3*	-	-	-	-	2.5	3.5*	3.5*	3.5*	6.4m	
20ft ●		-	-	-	-	-	-	-	9.3*	9.3*	9.3*	9.3*	6.2	9.5*	9.5	9.5*	-	-	-	-	5.5	7.7*	7.7*	7.7*	21.0ft	
4.5m ■		-	-	-	-	-	-	-	4.4	5.0*	5.0*	5.0*	2.8	4.5*	4.3	4.5*	-	-	-	-	2.1	3.3*	3.2	3.3*	7.2m	
15ft ●		-	-	-	-	-	-	-	9.7	11.0*	11.0*	11.0*	6.2	9.9*	9.5	9.9*	-	-	-	-	4.6	7.3*	7.1	7.3*	23.6ft	
3m ■		-	-	-	-	-	-	-	4.0	6.3*	6.3*	6.3*	2.7	5.0*	4.1	5.0*	1.9	3.8*	2.9	3.8*	1.8	3.3*	2.9	3.3*	7.6m	
10ft ●		-	-	-	-	-	-	-	8.8	13.9*	13.9*	13.9*	6.0	11.0*	9.0	11.0*	4.2	8.4*	6.4	8.4*	4.0	7.3*	6.4	7.3*	24.9ft	
1.5m ■		-	-	-	-	-	-	-	3.7	7.6*	6.0	7.6*	2.5	5.6	3.9	5.6*	1.8	4.0	2.8	4.7*	1.8	3.5*	2.8	3.5*	7.7m	
5ft ●		-	-	-	-	-	-	-	8.2	16.8*	13.2	16.8*	5.5	12.3	8.6	12.3*	4.0	8.8	6.2	10.4*	4.0	7.7*	6.2	7.7*	25.3ft	
0m ■		-	-	-	-	-	-	-	3.6	8.3*	5.9	8.3*	2.4	5.5	3.8	6.0*	-	-	-	-	1.8	3.9*	2.8	3.9*	7.4m	
0ft ●		-	-	-	-	-	-	-	7.9	18.3*	13.0	18.3*	5.3	12.1	8.4	13.2*	-	-	-	-	4.0	8.6*	6.2	8.6*	24.3ft	
-1.5m ■		-	-	-	-	6.4	9.4*	9.4*	9.4*	3.5	8.2*	5.8	8.2*	2.4	5.5	3.8	6.0*	-	-	-	-	2.0	4.5	3.2	4.6*	6.9m
-5ft ●		-	-	-	-	14.1	20.7*	20.7*	20.7*	7.7	18.1*	12.8	18.1*	5.3	12.1	8.4	13.2*	-	-	-	-	4.4	9.9	7.1	10.1*	22.6ft
-3m ■		-	-	-	-	-	-	-	3.6	7.2*	5.9	7.2*	-	-	-	-	-	-	-	-	2.7	5.6*	4.3	5.6*	5.5m	
-10ft ●		-	-	-	-	-	-	-	7.9	15.9*	13.0	15.9*	-	-	-	-	-	-	-	-	6.0	12.3*	9.5	12.3*	18.0ft	
2-piece Boom: 5.1m, 16'9" Dipper Arm: 2.6m, 8'6" Front and rear outriggers	75m ■	-	-	-	-	-	-	-	-	-	-	-	-	-	-	-	-	-	-	-	3.5	3.7*	3.7*	3.7*	5.2m	
	25ft ●	-	-	-	-	-	-	-	-	-	-	-	-	-	-	-	-	-	-	-	7.7	8.2*	8.2*	8.2*	17.1ft	
	6m ■	-	-	-	-	-	-	-	-	-	-	-	-	2.9	4.1*	4.1*	4.1*	-	-	-	-	2.4	3.2*	3.2*	3.2*	6.5m
	20ft ●	-	-	-	-	-	-	-	-	-	-	-	-	6.4	9.0*	9.0*	9.0*	-	-	-	-	5.3	7.1*	7.1*	7.1*	21.3ft
	4.5m ■	-	-	-	-	-	-	-	4.4	4.8*	4.8*	4.8*	2.8	4.4*	4.3	4.4*	-	-	-	-	2.0	3.1*	3.1	3.1*	7.3m	
	15ft ●	-	-	-	-	-	-	-	9.7	10.6*	10.6*	10.6*	6.2	9.7*	9.5	9.7*	-	-	-	-	4.4	6.8*	6.8	6.8*	24.0ft	
	3m ■	-	-	-	-	-	-	-	4.0	6.2*	6.2*	6.2*	2.7	4.9*	4.1	4.9*	1.9	4.0	2.9	4.3*	1.8	3.1*	2.8	3.1*	7.7m	
	10ft ●	-	-	-	-	-	-	-	8.8	13.7*	13.7*	13.7*	6.0	10.8*	9.0	10.8*	4.2	8.8	6.4	9.5*	4.0	6.8*	6.2	6.8*	25.3ft	
	1.5m ■	-	-	-	-	-	-	-	3.7	7.5*	6.1	7.5*	2.5	5.5*	3.9	5.5*	1.8	4.0	2.8	4.6*	1.7	3.3*	2.7	3.3*	7.8m	
	5ft ●	-	-	-	-	-	-	-	8.2	16.5*	13.4	16.5*	5.5	12.1*	8.6	12.1*	4.0	8.8	6.2	10.1*	3.7	7.3*	6.0	7.3*	25.6ft	
	0m ■	-	-	-	-	4.7*	4.7*	4.7*	4.7*	3.5	8.2*	5.8	8.2*	2.4	5.5	3.8	6.0*	1.8	3.9	2.8	4.3*	1.7	3.6*	2.7	3.6*	7.6m
	0ft ●	-	-	-	-	10.4*	10.4*	10.4*	10.4*	7.7	18.1*	12.8	18.1*	5.3	12.1	8.4	13.2*	4.0	8.6	6.2	9.5*	3.7	7.9*	6.0	7.9*	24.9ft
	-1.5m ■	-	-	-	-	6.3	9.1*	9.1*	9.1*	3.5	8.2*	5.8	8.2*	2.4	5.4	3.8	6.0*	-	-	-	-	1.9	4.3*	3.1	4.3*	7.0m
	-5ft ●	-	-	-	-	13.9	20.1*	20.1*	20.1*	7.7	18.1*	12.8	18.1*	5.3	11.9	8.4	13.2*	-	-	-	-	4.2	9.5*	6.8	9.5*	23.0ft
	-3m ■	-	-	-	-	-	-	-	-	3.6	7.3*	5.9	7.3*	-	-	-	-	-	-	-	-	2.5	5.2*	3.9	5.2*	5.9m
	-10ft ●	-	-	-	-	-	-	-	-	7.9	16.1*	13.0	16.1*	-	-	-	-	-	-	-	-	5.5	11.5*	8.6	11.5*	19.4ft

Specifications

LIFTING CAPACITY EW160E with heavy counterweight

At the arm end, without bucket and quick fit. For lifting capacity including bucket/quick fit, simply subtract actual weight of those parts from the following values. With heavy counterweight. Unit: ■ 1 000 kg | ● 1,000 lb

Notes: 1. Working pressure with Power Boost = 37.5 MPa / 5,440 PSI. 2. The above values are in compliance with ISO standard 10 567. They do not exceed 87 % of hydraulic lifting capacity or 75 % of tipping load, with the machine on firm, level ground. 3. Load capacities marked with an asterisk (*) are limited by machine's hydraulic lifting capacity rather than tipping load.

Lifting point	Reach from machine centre (u = support up/d = support down)																				Max.											
	1.5 m, 5 ft				3.0 m, 10 ft				4.5 m, 15 ft				6.0 m, 20 ft				7.5 m, 25 ft					Across UC		Along UC								
	u	d	u	d	u	d	u	d	u	d	u	d	u	d	u	d	u	d	u	d		u	d	u	d	u	d					
2-piece Boom: 5.1m, 16'9" Dipper Arm: 3.1m, 10'2" Front and rear outriggers	75m ■	-	-	-	-	-	-	-	-	-	-	-	-	-	-	-	-	-	-	-	-	-	-	-	-	-	2.9	2.9*	2.9*	2.9*	5.9m	
	25ft ●	-	-	-	-	-	-	-	-	-	-	-	-	-	-	-	-	-	-	-	-	-	-	-	-	-	-	6.4	6.4*	6.4*	6.4*	19.4ft
	6m ■	-	-	-	-	-	-	-	-	-	-	-	-	-	2.9	3.7*	3.7*	3.7*	-	-	-	-	-	-	-	-	-	2.1	2.6*	2.6*	2.6*	7.1m
	20ft ●	-	-	-	-	-	-	-	-	-	-	-	-	6.4	8.2*	8.2*	8.2*	-	-	-	-	-	-	-	-	-	-	4.6	5.7*	5.7*	5.7*	23.3ft
	4.5m ■	-	-	-	-	-	-	-	-	4.2*	4.2*	4.2*	4.2*	2.8	4.0*	4.0*	4.0*	1.9	3.5*	3.0	3.5*	1.8	2.5*	2.5*	2.5*	1.8	2.5*	2.5*	2.5*	7.8m		
	15ft ●	-	-	-	-	-	-	-	-	9.3*	9.3*	9.3*	9.3*	6.2	8.8*	8.8*	8.8*	4.2	7.7*	6.6	7.7*	4.0	5.5*	5.5*	5.5*	4.0	5.5*	5.5*	5.5*	25.6ft		
	3m ■	-	-	-	-	-	-	-	-	4.1	5.6*	5.6*	5.6*	2.7	4.6*	4.6*	4.1	4.6*	1.9	4.1	2.9	4.1*	1.6	2.5*	2.5*	2.5*	1.6	2.5*	2.5*	2.5*	8.2m	
	10ft ●	-	-	-	-	-	-	-	-	9.0	12.3*	12.3*	12.3*	6.0	10.1*	9.0	10.1*	4.2	9.0	6.4	9.0*	3.5	5.5*	5.5*	5.5*	3.5	5.5*	5.5*	5.5*	26.9ft		
	1.5m ■	-	-	-	-	-	-	-	-	3.8	7.0*	6.1	7.0*	2.5	5.3*	4.0	5.3*	1.8	4.0	2.8	4.4*	1.5	2.6*	2.4	2.6*	1.5	2.6*	2.4	2.6*	8.3m		
	5ft ●	-	-	-	-	-	-	-	-	8.4	15.4*	13.4	15.4*	5.5	11.7*	8.8	11.7*	4.0	8.8	6.2	9.7*	3.3	5.7*	5.3	5.7*	3.3	5.7*	5.3	5.7*	27.2ft		
	0m ■	-	-	-	-	5.2*	5.2*	5.2*	5.2*	3.5	8.0*	5.8	8.0*	2.4	5.5	3.8	5.8*	1.7	3.9	2.8	4.6*	1.6	2.9*	2.5	2.9*	1.6	2.9*	2.5	2.9*	8.1m		
	0ft ●	-	-	-	-	11.5*	11.5*	11.5*	11.5*	7.7	17.6*	12.8	17.6*	5.3	12.1	8.4	12.8*	3.7	8.6	6.2	10.1*	3.5	6.4*	5.5	6.4*	3.5	6.4*	5.5	6.4*	26.6ft		
	-1.5m ■	-	-	-	-	6.3	8.3*	8.3*	8.3*	3.4	8.2*	5.7	8.2*	2.3	5.4	3.7	6.0*	1.7	3.8*	2.7	3.8*	1.7	3.3*	2.7	3.3*	1.7	3.3*	2.7	3.3*	7.6m		
	-5ft ●	-	-	-	-	13.9	18.3*	18.3*	18.3*	7.5	18.1*	12.6	18.1*	5.1	11.9	8.2	13.2*	3.7	8.4*	6.0	8.4*	3.7	7.3*	6.0	7.3*	3.7	7.3*	6.0	7.3*	24.9ft		
	-3m ■	-	-	-	-	6.4	11.3*	11.3*	11.3*	3.5	7.7*	5.8	7.7*	2.3	5.4	3.8	5.5*	-	-	-	-	-	-	-	-	-	-	2.1	4.3*	3.3	4.3*	6.7m
	-10ft ●	-	-	-	-	14.1	24.9*	24.9*	24.9*	7.7	17.0*	12.8	17.0*	5.1	11.9	8.4	12.1*	-	-	-	-	-	-	-	-	-	-	4.6	9.5*	7.3	9.5*	22.0ft
2-piece Boom: 5.1m, 16'9" Grab Arm: 2.95m, 9'8" Front and rear outriggers	75m ■	-	-	-	-	-	-	-	-	-	-	-	-	-	-	-	-	-	-	-	-	-	-	-	-	-	3.2	3.5*	3.5*	3.5*	5.8m	
	25ft ●	-	-	-	-	-	-	-	-	-	-	-	-	-	-	-	-	-	-	-	-	-	-	-	-	-	-	7.1	7.7*	7.7*	7.7*	19.0ft
	6m ■	-	-	-	-	-	-	-	-	-	-	-	-	-	3.1	4.1*	4.1*	4.1*	-	-	-	-	-	-	-	-	-	2.4	3.1*	3.1*	3.1*	7.0m
	20ft ●	-	-	-	-	-	-	-	-	-	-	-	-	-	6.8	9.0*	9.0*	9.0*	-	-	-	-	-	-	-	-	-	5.3	6.8*	6.8*	6.8*	23.0ft
	4.5m ■	-	-	-	-	-	-	-	-	4.7	4.7*	4.7*	4.7*	3.1	4.4*	4.4*	4.4*	2.2	3.9*	3.2	3.9*	2.0	2.9*	2.9*	2.9*	2.0	2.9*	2.9*	2.9*	7.7m		
	15ft ●	-	-	-	-	-	-	-	-	10.4	10.4*	10.4*	10.4*	6.8	9.7*	9.7*	9.7*	4.9	8.6*	7.1	8.6*	4.4	6.4*	6.4*	6.4*	4.4	6.4*	6.4*	6.4*	25.3ft		
	3m ■	-	-	-	-	-	-	-	-	4.4	6.1*	6.1*	6.1*	2.9	5.0*	4.4	5.0*	2.1	4.3	3.1	4.5*	1.9	2.9*	2.8	2.9*	1.9	2.9*	2.8	2.9*	8.1m		
	10ft ●	-	-	-	-	-	-	-	-	9.7	13.4*	13.4*	13.4*	6.4	11.0*	9.7	11.0*	4.6	9.5	6.8	9.9*	4.2	6.4*	6.2	6.4*	4.2	6.4*	6.2	6.4*	26.6ft		
	1.5m ■	-	-	-	-	-	-	-	-	4.0	7.5*	6.4	7.5*	2.8	5.7*	4.2	5.7*	2.0	4.2	3.1	4.8*	1.8	3.0*	2.7	3.0*	1.8	3.0*	2.7	3.0*	8.2m		
	5ft ●	-	-	-	-	-	-	-	-	8.8	16.5*	14.1	16.5*	6.2	12.6*	9.3	12.6*	4.4	9.3	6.8	10.6*	4.0	6.6*	6.0	6.6*	4.0	6.6*	6.0	6.6*	26.9ft		
	0m ■	-	-	-	-	-	-	-	-	3.8	8.4*	6.1	8.4*	2.6	5.7	4.1	6.2*	2.0	4.2	3.0	5.0*	1.8	3.2*	2.8	3.2*	1.8	3.2*	2.8	3.2*	8.0m		
	0ft ●	-	-	-	-	-	-	-	-	8.4	18.5*	13.4	18.5*	5.7	12.6	9.0	13.7*	4.4	9.3	6.6	11.0*	4.0	7.1*	6.2	7.1*	4.0	7.1*	6.2	7.1*	26.2ft		
	-1.5m ■	-	-	-	-	6.6	8.2*	8.2*	8.2*	3.7	8.5*	6.0	8.5*	2.6	5.7	4.0	6.3*	-	-	-	-	-	-	-	-	-	-	2.0	3.7*	3.0	3.7*	7.5m
	-5ft ●	-	-	-	-	14.6	18.1*	18.1*	18.1*	8.2	18.7*	13.2	18.7*	5.7	12.6	8.8	13.9*	-	-	-	-	-	-	-	-	-	-	4.4	8.2*	6.6	8.2*	24.6ft
	-3m ■	-	-	-	-	6.7	11.5*	11.5*	11.5*	3.8	7.9*	6.1	7.9*	2.6	5.7	4.0	5.7*	-	-	-	-	-	-	-	-	-	-	2.4	4.8*	3.6	4.8*	6.5m
	-10ft ●	-	-	-	-	14.8	25.4*	25.4*	25.4*	8.4	17.4*	13.4	17.4*	5.7	12.6	8.8	12.6*	-	-	-	-	-	-	-	-	-	-	5.3	10.6*	7.9	10.6*	21.3ft
2-piece Boom: 5.1m, 16'9" Dipper Arm: 2m, 6'7" Rear dozer blade	75m ■	-	-	-	-	-	-	-	-	-	-	-	-	-	-	-	-	-	-	-	-	-	-	-	-	-	4.5	5.0	5.3*	5.2*	4.3m	
	25ft ●	-	-	-	-	-	-	-	-	-	-	-	-	-	-	-	-	-	-	-	-	-	-	-	-	-	9.9	11.0	11.7*	11.5*	14.1ft	
	6m ■	-	-	-	-	-	-	-	-	4.2	4.8	4.8*	4.8*	-	-	-	-	-	-	-	-	-	-	-	-	-	-	2.7	3.1	4.4*	4.4*	5.8m
	20ft ●	-	-	-	-	-	-	-	-	9.3	10.6	10.6*	10.6*	-	-	-	-	-	-	-	-	-	-	-	-	-	-	6.0	6.8	9.7*	9.7*	19.0ft
	4.5m ■	-	-	-	-	7.5*	7.4*	7.5*	7.4*	4.0	4.6	5.6*	5.5*	2.6	2.9	4.2	4.9*	-	-	-	-	-	-	-	-	-	-	2.1	2.4	3.5	4.2*	6.7m
	15ft ●	-	-	-	-	16.5*	16.3*	16.5*	16.3*	8.8	10.1	12.3*	12.1*	5.7	6.4	9.3	10.8*	-	-	-	-	-	-	-	-	-	-	4.6	5.3	7.7	9.3*	22.0ft
	3m ■	-	-	-	-	-	-	-	-	3.7	4.2	6.3	6.8*	2.5	2.8	4.1	5.3*	-	-	-	-	-	-	-	-	-	-	1.9	2.1	3.1	4.2*	7.1m
	10ft ●	-	-	-	-	-	-	-	-	8.2	9.3	13.9	15.0*	5.5	6.2	9.0	11.7*	-	-	-	-	-	-	-	-	-	-	4.2	4.6	6.8	9.3*	23.3ft
	1.5m ■	-	-	-	-	-	-	-	-	3.5	4.0	6.0	8.0*	2.3	2.7	4.0	5.9*	-	-	-	-	-	-	-	-	-	-	1.8	2.1	3.0	4.4*	7.2m
	5ft ●	-	-	-	-	-	-	-	-	7.7	8.8	13.2	17.6*	5.1	6.0	8.8	13.0*	-	-	-	-	-	-	-	-	-	-	4.0	4.6	6.6	9.7*	23.6ft
	0m ■	-	-	-	-	-	-	-	-	3.3	3.8	5.9	8.4*	2.3	2.6	3.9	6.1*	-	-	-	-	-	-	-	-	-	-	1.9	2.1	3.1	5.0*	7.0m
	0ft ●	-	-	-	-	-	-	-	-	7.3	8.4	13.0	18.5*	5.1	5.7	8.6	13.4*	-	-	-	-	-	-	-	-	-	-	4.2	4.6	6.8	11.0*	23.0ft
	-1.5m ■	-	-	-	-	6.1	7.2	10.4*	10.4*	3.3	3.8	5.9	8.0*	2.3	2.6	3.9	5.8*	-	-	-	-	-	-	-	-	-	-	2.1	2.4	3.6	5.3*	6.4m
	-5ft ●	-	-	-	-	13.4	15.9	22.9*	22.9*	7.3	8.4	13.0	17.6*	5.1	5.7	8.6	12.8*	-	-	-	-	-	-	-	-	-	-	4.6	5.3	7.9	11.7*	21.0ft
	2-piece Boom: 5.1m, 16'9" Dipper Arm: 2.45m, 8'0" Rear dozer blade	75m ■	-	-	-	-	-	-	-	-	-	-	-	-	-	-	-	-	-	-	-	-	-	-	-	-	-	3.5	4.0	4.0*	4.0*	5.0m
		25ft ●	-	-	-	-	-	-	-	-	-	-	-	-	-	-	-	-	-	-	-	-	-	-	-	-	-	7.7	8.8	8.8*	8.8*	16.4ft
6m ■		-	-	-	-	-	-	-	-	4.2*	4.2*	4.2*	4.2*	2.7	3.0	4.3	4.3*	-	-	-	-	-	-	-	-	-	2.4	2.7	3.5*	3.5*	6.4m	
20ft ●		-	-	-	-	-	-	-	-	9.3*	9.3*	9.3*	9.3*	6.0	6.6	9.5	9.5*	-	-	-	-	-	-	-	-	-	-	5.3	6.0	7.7*	7.7*	21.0ft
4.5m ■		-	-	-	-	-	-	-	-	4.1	4.6	5.0*	5.0*	2.6	2.9	4.3	4.5*	-	-	-	-	-	-	-	-	-	-	1.9	2.2	3.2	3.3*	7.2m
15ft ●		-	-	-	-	-	-	-	-	9.0	10.1	11.0*	11.0*	5.7	6.4	9.5	9.9*	-	-	-	-	-	-	-	-	-	-	4.2	4.9	7.1	7.3*	23.6ft
3m ■		-	-	-	-	-	-	-	-	3.8	4.3	6.3*	6.3*	2.5	2.8	4.1	5.0*	1.7	2.0	2.9	3.8*	1.7	1.9	2.9	3.3*	1.7	1.9	2.9	3.3*	7.6m		

LIFTING CAPACITY EW160E with heavy counterweight

At the arm end, without bucket and quick fit. For lifting capacity including bucket/quick fit, simply subtract actual weight of those parts from the following values. With heavy counterweight. Unit: ■ 1 000 kg | ● 1,000 lb
 Notes: 1. Working pressure with Power Boost = 37.5 MPa / 5,440 PSI. 2. The above values are in compliance with ISO standard 10 567. They do not exceed 87 % of hydraulic lifting capacity or 75 % of tipping load, with the machine on firm, level ground. 3. Load capacities marked with an asterisk (*) are limited by machine's hydraulic lifting capacity rather than tipping load.

	Lifting point	Reach from machine centre (u = support up/d = support down)																				Max.					
		1.5 m, 5 ft				3.0 m, 10 ft				4.5 m, 15 ft				6.0 m, 20 ft				7.5 m, 25 ft					Max.				
		Across UC		Along UC		Across UC		Along UC		Across UC		Along UC		Across UC		Along UC		Across UC		Along UC			Max.				
		u	d	u	d	u	d	u	d	u	d	u	d	u	d	u	d	u	d	u	d						
2-piece Boom: 5.1m, 16'9" Dipper Arm: 2.6m, 8'6" Rear dozer blade	75m ■	-	-	-	-	-	-	-	-	-	-	-	-	-	-	-	-	-	-	-	3.3	3.7*	3.7*	3.7*	5.2m		
	25ft ●	-	-	-	-	-	-	-	-	-	-	-	-	-	-	-	-	-	-	-	-	7.3	8.2*	8.2*	8.2*	17.1ft	
	6m ■	-	-	-	-	-	-	-	-	-	-	-	2.7	3.0	4.1*	4.1*	-	-	-	-	-	2.3	2.6	3.2*	3.2*	6.5m	
	20ft ●	-	-	-	-	-	-	-	-	-	-	-	6.0	6.6	9.0*	9.0*	-	-	-	-	-	-	5.1	5.7	7.1*	7.1*	21.3ft
	4.5m ■	-	-	-	-	-	-	-	4.1	4.7	4.8*	4.8*	2.6	2.9	4.3	4.4*	-	-	-	-	-	-	1.8	2.1	3.1	3.1*	7.3m
	15ft ●	-	-	-	-	-	-	-	9.0	10.4	10.6*	10.6*	5.7	6.4	9.5	9.7*	-	-	-	-	-	-	4.0	4.6	6.8	6.8*	24.0ft
	3m ■	-	-	-	-	-	-	-	3.8	4.3	6.2*	6.2*	2.2	2.5	2.8	4.1	4.9*	-	-	-	-	-	1.7	2.0	2.9	4.3*	7.7m
	10ft ●	-	-	-	-	-	-	-	8.4	9.5	13.7*	13.7*	5.5	6.2	9.0	10.8*	3.7	4.4	6.4	9.5*	3.5	4.2	6.2	6.8*	25.3ft		
	1.5m ■	-	-	-	-	-	-	-	3.5	4.0	6.1	7.5*	2.3	2.7	3.9	5.5*	1.7	1.9	2.8	4.6*	1.6	1.8	2.7	3.3*	7.8m		
	5ft ●	-	-	-	-	-	-	-	7.7	8.8	13.4	16.5*	5.1	6.0	8.6	12.1*	3.7	4.2	6.2	10.1*	3.5	4.0	6.0	7.3*	25.6ft		
	0m ■	-	-	-	-	4.7*	4.7*	4.7*	4.7*	3.3	3.8	5.8	8.2*	2.2	2.5	3.8	6.0*	1.6	1.9	2.8	4.3*	1.6	1.8	2.7	3.6*	7.6m	
	0ft ●	-	-	-	-	10.4*	10.4*	10.4*	10.4*	7.3	8.4	12.8	18.1*	4.9	5.5	8.4	13.2*	3.5	4.2	6.2	9.5*	3.5	4.0	6.0	7.9*	24.9ft	
	-1.5m ■	-	-	-	-	5.9	7.0	9.1*	9.1*	3.2	3.7	5.8	8.2*	2.2	2.5	3.8	6.0*	-	-	-	-	-	1.8	2.0	3.1	4.3*	7.0m
	-5ft ●	-	-	-	-	13.0	15.4	20.1*	20.1*	7.1	8.2	12.8	18.1*	4.9	5.5	8.4	13.2*	-	-	-	-	-	4.0	4.4	6.8	9.5*	23.0ft
-3m ■	-	-	-	-	-	-	-	3.3	3.8	5.9	7.3*	-	-	-	-	-	-	-	-	-	-	2.3	2.6	3.9	5.2*	5.9m	
-10ft ●	-	-	-	-	-	-	-	7.3	8.4	13.0	16.1*	-	-	-	-	-	-	-	-	-	-	5.1	5.7	8.6	11.5*	19.4ft	
2-piece Boom: 5.1m, 16'9" Dipper Arm: 3.1m, 10'2" Rear dozer blade	75m ■	-	-	-	-	-	-	-	-	-	-	-	-	-	-	-	-	-	-	-	-	2.7	2.9*	2.9*	2.9*	5.9m	
	25ft ●	-	-	-	-	-	-	-	-	-	-	-	-	-	-	-	-	-	-	-	-	6.0	6.4*	6.4*	6.4*	19.4ft	
	6m ■	-	-	-	-	-	-	-	-	-	-	-	2.7	3.1	3.7*	3.7*	-	-	-	-	-	2.0	2.2	2.6*	2.6*	7.1m	
	20ft ●	-	-	-	-	-	-	-	-	-	-	-	6.0	6.8	8.2*	8.2*	-	-	-	-	-	-	4.4	4.9	5.7*	5.7*	23.3ft
	4.5m ■	-	-	-	-	-	-	-	4.2	4.2*	4.2*	4.2*	2.6	3.0	4.0*	4.0*	1.8	2.0	3.0	3.5*	1.6	1.9	2.5*	2.5*	7.8m		
	15ft ●	-	-	-	-	-	-	-	9.3	9.3*	9.3*	9.3*	5.7	6.6	8.8*	8.8*	4.0	4.4	6.6	7.7*	3.5	4.2	5.5*	5.5*	25.6ft		
	3m ■	-	-	-	-	-	-	-	3.9	4.4	5.6*	5.6*	2.5	2.8	4.1	4.6*	1.7	2.0	2.9	4.1*	1.5	1.7	2.5*	2.5*	8.2m		
	10ft ●	-	-	-	-	-	-	-	8.6	9.7	12.3*	12.3*	5.5	6.2	9.0	10.1*	3.7	4.4	6.4	9.0*	3.3	3.7	5.5*	5.5*	26.9ft		
	1.5m ■	-	-	-	-	-	-	-	3.5	4.0	6.1	7.0*	2.3	2.7	4.0	5.3*	1.7	1.9	2.8	4.4*	1.4	1.6	2.4	2.6*	8.3m		
	5ft ●	-	-	-	-	-	-	-	7.7	8.8	13.4	15.4*	5.1	6.0	8.8	11.7*	3.7	4.2	6.2	9.7*	3.1	3.5	5.3	5.7*	27.2ft		
	0m ■	-	-	-	-	5.2*	5.2*	5.2*	5.2*	3.3	3.8	5.8	8.0*	2.2	2.5	3.8	5.8*	1.6	1.8	2.8	4.6*	1.4	1.6	2.5	2.9*	8.1m	
	0ft ●	-	-	-	-	11.5*	11.5*	11.5*	11.5*	7.3	8.4	12.8	17.6*	4.9	5.5	8.4	12.8*	3.5	4.0	6.2	10.1*	3.1	3.5	5.5	6.4*	26.6ft	
	-1.5m ■	-	-	-	-	5.8	6.9	8.3*	8.3*	3.2	3.7	5.7	8.2*	2.1	2.5	3.7	6.0*	1.6	1.8	2.7	3.8*	1.6	1.8	2.7	3.3*	7.6m	
	-5ft ●	-	-	-	-	12.8	15.2	18.3*	18.3*	7.1	8.2	12.6	18.1*	4.6	5.5	8.2	13.2*	3.5	4.0	6.0	8.4*	3.5	4.0	6.0	7.3*	24.9ft	
-3m ■	-	-	-	-	5.9	7.0	11.3*	11.3*	3.2	3.7	5.8	7.7*	2.2	2.5	3.8	5.5*	-	-	-	-	-	1.9	2.2	3.3	4.3*	6.7m	
-10ft ●	-	-	-	-	13.0	15.4	24.9*	24.9*	7.1	8.2	12.8	17.0*	4.9	5.5	8.4	12.1*	-	-	-	-	-	4.2	4.9	7.3	9.5*	22.0ft	
2-piece Boom: 5.1m, 16'9" Grab Arm: 2.95m, 9'8" Rear dozer blade	75m ■	-	-	-	-	-	-	-	-	-	-	-	-	-	-	-	-	-	-	-	-	3.0	3.4	3.5*	3.5*	5.8m	
	25ft ●	-	-	-	-	-	-	-	-	-	-	-	-	-	-	-	-	-	-	-	-	6.6	7.5	7.7*	7.7*	19.0ft	
	6m ■	-	-	-	-	-	-	-	-	-	-	-	2.9	3.3	4.1*	4.1*	-	-	-	-	-	2.2	2.5	3.1*	3.1*	7.0m	
	20ft ●	-	-	-	-	-	-	-	-	-	-	-	6.4	7.3	9.0*	9.0*	-	-	-	-	-	-	4.9	5.5	6.8*	6.8*	23.0ft
	4.5m ■	-	-	-	-	-	-	-	4.4	4.7*	4.7*	4.7*	2.9	3.2	4.4*	4.4*	2.0	2.3	3.2	3.9*	1.9	2.1	2.9*	2.9*	7.7m		
	15ft ●	-	-	-	-	-	-	-	9.7	10.4*	10.4*	10.4*	6.4	7.1	9.7*	9.7*	4.4	5.1	7.1	8.6*	4.2	4.6	6.4*	6.4*	25.3ft		
	3m ■	-	-	-	-	-	-	-	4.1	4.6	6.1*	6.1*	2.7	3.1	4.4	5.0*	2.0	2.2	3.1	4.5*	1.7	2.0	2.8	2.9*	8.1m		
	10ft ●	-	-	-	-	-	-	-	9.0	10.1	13.4*	13.4*	6.0	6.8	9.7	11.0*	4.4	4.9	6.8	9.9*	3.7	4.4	6.2	6.4*	26.6ft		
	1.5m ■	-	-	-	-	-	-	-	3.8	4.3	6.4	7.5*	2.6	2.9	4.2	5.7*	1.9	2.1	3.1	4.8*	1.7	1.9	2.7	3.0*	8.2m		
	5ft ●	-	-	-	-	-	-	-	8.4	9.5	14.1	16.5*	5.7	6.4	9.3	12.6*	4.2	4.6	6.8	10.6*	3.7	4.2	6.0	6.6*	26.9ft		
	0m ■	-	-	-	-	-	-	-	3.5	4.1	6.1	8.4*	2.5	2.8	4.1	6.2*	1.8	2.1	3.0	5.0*	1.7	1.9	2.8	3.2*	8.0m		
	0ft ●	-	-	-	-	-	-	-	7.7	9.0	13.4	18.5*	5.5	6.2	9.0	13.7*	4.0	4.6	6.6	11.0*	3.7	4.2	6.2	7.1*	26.2ft		
	-1.5m ■	-	-	-	-	6.1	7.2	8.2*	8.2*	3.5	4.0	6.0	8.5*	2.4	2.7	4.0	6.3*	-	-	-	-	-	1.9	2.1	3.0	3.7*	7.5m
	-5ft ●	-	-	-	-	13.4	15.9	18.1*	18.1*	7.7	8.8	13.2	18.7*	5.3	6.0	8.8	13.9*	-	-	-	-	-	4.2	4.6	6.6	8.2*	24.6ft
-3m ■	-	-	-	-	6.3	7.3	11.5*	11.5*	3.5	4.0	6.1	7.9*	2.4	2.8	4.0	5.7*	-	-	-	-	-	2.2	2.5	3.6	4.8*	6.5m	
-10ft ●	-	-	-	-	13.9	16.1	25.4*	25.4*	7.7	8.8	13.4	17.4*	5.3	6.2	8.8	12.6*	-	-	-	-	-	4.9	5.5	7.9	10.6*	21.3ft	
2-piece offset Boom: 5.2m, 17'1" Dipper Arm: 2m, 6'7" Front dozer blade Rear outriggers	75m ■	-	-	-	-	-	-	-	-	-	-	-	-	-	-	-	-	-	-	-	-	4.0*	4.0*	4.0*	4.0*	4.5m	
	25ft ●	-	-	-	-	-	-	-	-	-	-	-	-	-	-	-	-	-	-	-	-	8.8*	8.8*	8.8*	8.8*	14.8ft	
	6m ■	-	-	-	-	-	-	-	4.5	4.6*	4.6*	4.6*	-	-	-	-	-	-	-	-	-	2.8	3.5*	3.5*	3.5*	5.9m	
	20ft ●	-	-	-	-	-	-	-	9.9	10.1*	10.1*	10.1*	-	-	-	-	-	-	-	-	-	-	6.2	7.7*	7.7*	7.7*	19.4ft
	4.5m ■	-	-	-	-	7.4*	7.3*	7.4*	7.3*	4.2	5.3*	5.4*	5.3*	2.7	4.6	4.2	4.6*	-	-	-	-	-	2.2	3.3*	3.3*	3.3*	6.8m
	15ft ●	-	-	-	-	16.3*	16.1*	16.3*	16.1*	9.3	11.7*	11.9*	11.7*	6.0	10.1	9.3	10.1*	-	-	-	-	-	4.9	7.3*	7.3*	7.3*	22.3ft
	3m ■	-	-	-	-	-	-	-	3.8	6.6*	6.3	6.6*	2.5	4.4	4.1	5.1*	-	-	-	-	-	1.9	3.3	3.0	3.3*	7.2m	
	10ft ●	-	-	-	-	-	-	-	8.4	14.6*	13.9	14.6*	5.5	9.7	9.0	11.2*	-	-	-	-	-	4.2	7.3	6.6	7.3*	23.6ft	
	1.5m ■	-	-	-	-	-	-	-	3.5	6.5	5.9	7.7*	2.4	4.3	3.9	5.7*	-	-	-	-	-	1.8	3.2	2.9	3.6*	7.3m	
	5ft ●	-	-	-	-	-	-	-	7.7	14.3	13.0	17.0*	5.3	9.5	8.6	12.6*	-	-	-	-	-	4.0	7.1	6.4	7.9*	24.0ft	
	0m ■	-	-	-	-	-	-	-	3.4	6.4	5.7	8.1*	2.3	4.2	3.8	5.9*	-	-	-	-	-	1.8	3.3	3.0	4.0*	7.1m	
	0ft ●	-	-	-	-	-	-	-	7.5	14.1	12.6	17.9*	5.1	9.3	8.4	13.0*	-	-	-	-	-	4.0	7.3	6.6	8.8*	23.3ft	
	-1.5m ■	-	-	-	-	6.1	7.4*	7.4*	7.4*	3.4	6.4	5.7	7.9*	2.3	4.2	3.8	5.7*	-	-	-	-	-	2.1	3.8	3.4	5.0*	6.5m
	-5ft ●	-	-	-	-	13.4	16.3*	16.3*	16.3*	7.5	14.1																

Specifications

LIFTING CAPACITY EW160E with heavy counterweight

At the arm end, without bucket and quick fit. For lifting capacity including bucket/quick fit, simply subtract actual weight of those parts from the following values. With heavy counterweight. Unit: ■ 1 000 kg | ● 1,000 lb

Notes: 1. Working pressure with Power Boost = 37.5 MPa / 5,440 PSI. 2. The above values are in compliance with ISO standard 10 567. They do not exceed 87 % of hydraulic lifting capacity or 75 % of tipping load, with the machine on firm, level ground. 3. Load capacities marked with an asterisk (*) are limited by machine's hydraulic lifting capacity rather than tipping load.

Lifting point	Reach from machine centre (u = support up/d = support down)																				Max.									
	1.5 m, 5 ft				3.0 m, 10 ft				4.5 m, 15 ft				6.0 m, 20 ft				7.5 m, 25 ft					Max.								
	Across UC		Along UC		Across UC		Along UC		Across UC		Along UC		Across UC		Along UC		Across UC		Along UC			Across UC	Along UC							
	u	d	u	d	u	d	u	d	u	d	u	d	u	d	u	d	u	d	u	d	u	d	Max.							
2-piece offset Boom: 5.2m, 17'1" Dipper Arm: 2.45m, 8'0" Front dozer blade Rear outriggers	75m ■	-	-	-	-	-	-	-	-	-	-	-	-	-	-	-	-	-	-	-	-	-	-	3.1*	3.1*	3.1*	3.1*	5.1m		
	25ft ●	-	-	-	-	-	-	-	-	-	-	-	-	-	-	-	-	-	-	-	-	-	-	-	6.8*	6.8*	6.8*	6.8*	16.7ft	
	6m ■	-	-	-	-	-	-	-	-	-	-	-	-	2.8	3.9*	3.9*	3.9*	-	-	-	-	-	-	-	2.4	2.7*	2.7*	2.7*	6.5m	
	20ft ●	-	-	-	-	-	-	-	-	-	-	-	-	6.2	8.6*	8.6*	8.6*	-	-	-	-	-	-	-	5.3	6.0*	6.0*	6.0*	21.3ft	
	4.5m ■	-	-	-	-	-	-	-	-	4.3	4.8*	4.8*	4.8*	2.7	4.3*	4.3	4.3*	-	-	-	-	-	-	-	1.9	2.6*	2.6*	2.6*	7.2m	
	15ft ●	-	-	-	-	-	-	-	-	9.5	10.6*	10.6*	10.6*	6.0	9.5*	9.5	9.5*	-	-	-	-	-	-	-	4.2	5.7*	5.7*	5.7*	23.6ft	
	3m ■	-	-	-	-	-	-	-	-	3.9	6.1*	6.1*	6.1*	2.6	4.5	4.1	4.8*	1.8	3.1	2.9	3.4*	1.7	2.6*	1.7	2.6*	2.6*	2.6*	7.6m		
	10ft ●	-	-	-	-	-	-	-	-	8.6	13.4*	13.4*	13.4*	5.7	9.9	9.0	10.6*	4.0	6.8	6.4	7.5*	3.7	5.7*	5.7*	5.7*	5.7*	5.7*	5.7*	24.9ft	
	15m ■	-	-	-	-	-	-	-	-	3.5	6.6	5.9	7.4*	2.4	4.3	3.9	5.4*	1.7	3.1	2.8	4.2*	1.6	2.8*	2.7	2.8*	2.7	2.8*	2.7	7.7m	
	5ft ●	-	-	-	-	-	-	-	-	7.7	14.6	13.0	16.3*	5.3	9.5	8.6	11.9*	3.7	6.8	6.2	9.3*	3.5	6.2*	6.0	6.2*	6.0	6.2*	6.0	25.3ft	
	0m ■	-	-	-	-	-	-	-	-	3.3	6.3	5.7	8.0*	2.3	4.1	3.8	5.8*	1.7	3.0	2.7	3.2*	1.7	3.0	2.7	3.1*	2.7	3.1*	2.7	7.5m	
	0ft ●	-	-	-	-	-	-	-	-	7.3	13.9	12.6	17.6*	5.1	9.0	8.4	12.8*	3.7	6.6	6.0	7.1*	3.7	6.6	6.0	6.8*	6.0	6.8*	6.0	24.6ft	
	-1.5m ■	-	-	-	-	6.0	6.8*	6.8*	6.8*	3.3	6.3	5.7	8.0*	2.2	4.1	3.7	5.8*	-	-	-	-	-	-	-	1.8	3.3	3.0	3.8*	7.0m	
	-5ft ●	-	-	-	-	13.2	15.0*	15.0*	15.0*	7.3	13.9	12.6	17.6*	4.9	9.0	8.2	12.8*	-	-	-	-	-	-	-	4.0	7.3	6.6	8.4*	23.0ft	
	-3m ■	-	-	-	-	-	-	-	-	3.4	6.4	5.8	7.1*	-	-	-	-	-	-	-	-	-	-	-	2.3	4.3	3.9	5.0*	5.9m	
	-10ft ●	-	-	-	-	-	-	-	-	7.5	14.1	12.8	15.7*	-	-	-	-	-	-	-	-	-	-	-	5.1	9.5	8.6	11.0*	19.4ft	
2-piece offset Boom: 5.2m, 17'1" Dipper Arm: 2.6m, 8'6" Front dozer blade Rear outriggers	75m ■	-	-	-	-	-	-	-	-	-	-	-	-	-	-	-	-	-	-	-	-	-	-	2.9*	2.9*	2.9*	2.9*	5.3m		
	25ft ●	-	-	-	-	-	-	-	-	-	-	-	-	-	-	-	-	-	-	-	-	-	-	-	6.4*	6.4*	6.4*	6.4*	17.4ft	
	6m ■	-	-	-	-	-	-	-	-	-	-	-	-	2.8	3.8*	3.8*	3.8*	-	-	-	-	-	-	-	2.3	2.5*	2.5*	2.5*	6.6m	
	20ft ●	-	-	-	-	-	-	-	-	-	-	-	-	6.2	8.4*	8.4*	8.4*	-	-	-	-	-	-	-	5.1	5.5*	5.5*	5.5*	21.7ft	
	4.5m ■	-	-	-	-	-	-	-	-	4.3	4.7*	4.7*	4.7*	2.7	4.2*	4.2*	4.2*	-	-	-	-	-	-	-	1.9	2.4*	2.4*	2.4*	7.4m	
	15ft ●	-	-	-	-	-	-	-	-	9.5	10.4*	10.4*	10.4*	6.0	9.3*	9.3*	9.3*	-	-	-	-	-	-	-	4.2	5.3*	5.3*	5.3*	24.3ft	
	3m ■	-	-	-	-	-	-	-	-	3.9	6.0*	6.0*	6.0*	2.6	4.5	4.1	4.7*	1.8	3.1	2.9	3.6*	1.7	2.4*	2.4*	2.4*	2.4*	2.4*	2.4*	7.8m	
	10ft ●	-	-	-	-	-	-	-	-	8.6	13.2*	13.2*	13.2*	5.7	9.9	9.0	10.4*	4.0	6.8	6.4	7.9*	3.7	5.3*	5.3*	5.3*	5.3*	5.3*	5.3*	25.6ft	
	15m ■	-	-	-	-	-	-	-	-	3.5	6.6	6.0	7.3*	2.4	4.3	3.9	5.4*	1.7	3.1	2.8	4.3*	1.6	2.6*	2.6	2.6*	2.6	2.6*	2.6	7.9m	
	5ft ●	-	-	-	-	-	-	-	-	7.7	14.6	13.2	16.1*	5.3	9.5	8.6	11.9*	3.7	6.8	6.2	9.5*	3.5	5.7*	5.7	5.7*	5.7	5.7*	5.7	25.9ft	
	0m ■	-	-	-	-	-	-	-	-	3.3	6.3	5.7	8.0*	2.3	4.1	3.8	5.8*	1.7	3.0	2.7	4.0*	1.6	2.9*	2.7	2.9*	2.7	2.9*	2.7	7.7m	
	0ft ●	-	-	-	-	-	-	-	-	7.3	13.9	12.6	17.6*	5.1	9.0	8.4	12.8*	3.7	6.6	6.0	8.8*	3.5	6.4*	6.0	6.4*	6.0	6.4*	6.0	25.3ft	
	-1.5m ■	-	-	-	-	5.9	6.6*	6.6*	6.6*	3.3	6.3	5.7	8.0*	2.2	4.1	3.7	5.8*	-	-	-	-	-	-	-	1.8	3.2	2.9	3.5*	7.1m	
	-5ft ●	-	-	-	-	13.0	14.6*	14.6*	14.6*	7.3	13.9	12.6	17.6*	4.9	9.0	8.2	12.8*	-	-	-	-	-	-	-	4.0	7.1	6.4	7.7*	23.3ft	
	-3m ■	-	-	-	-	-	-	-	-	3.3	6.3	5.7	7.2*	2.3	4.2	3.8	5.1*	-	-	-	-	-	-	-	2.2	4.0	3.7	4.7*	6.2m	
	-10ft ●	-	-	-	-	-	-	-	-	7.3	13.9	12.6	15.9*	5.1	9.3	8.4	11.2*	-	-	-	-	-	-	-	4.9	8.8	8.2	10.4*	20.3ft	
2-piece offset Boom: 5.2m, 17'1" Dipper Arm: 2m, 6'7" Rear dozer blade	75m ■	-	-	-	-	-	-	-	-	-	-	-	-	-	-	-	-	-	-	-	-	-	-	4.0*	4.0*	4.0*	4.0*	4.5m		
	25ft ●	-	-	-	-	-	-	-	-	-	-	-	-	-	-	-	-	-	-	-	-	-	-	-	8.8*	8.8*	8.8*	8.8*	14.8ft	
	6m ■	-	-	-	-	-	-	-	-	4.3	4.6*	4.6*	4.6*	-	-	-	-	-	-	-	-	-	-	-	2.6	3.0	3.5*	3.5*	5.9m	
	20ft ●	-	-	-	-	-	-	-	-	9.5	10.1*	10.1*	10.1*	-	-	-	-	-	-	-	-	-	-	-	-	5.7	6.6	7.7*	7.7*	19.4ft
	4.5m ■	-	-	-	-	7.4*	7.3*	7.4*	7.3*	4.0	4.5	5.4*	5.3*	2.5	2.9	4.2	4.6*	-	-	-	-	-	-	-	2.0	2.3	3.3*	3.3*	6.8m	
	15ft ●	-	-	-	-	16.3*	16.1*	16.3*	16.1*	8.8	9.9	11.9*	11.7*	5.5	6.4	9.3	10.1*	-	-	-	-	-	-	-	4.4	5.1	7.3*	7.3*	22.3ft	
	3m ■	-	-	-	-	-	-	-	-	3.6	4.1	6.3	6.6*	2.4	2.7	4.0	5.1*	-	-	-	-	-	-	-	1.8	2.0	3.0	3.3*	7.2m	
	10ft ●	-	-	-	-	-	-	-	-	7.9	9.0	13.9	14.6*	5.3	6.0	8.8	11.2*	-	-	-	-	-	-	-	4.0	4.4	6.6	7.3*	23.6ft	
	15m ■	-	-	-	-	-	-	-	-	3.3	3.8	5.9	7.7*	2.2	2.6	3.9	5.7*	-	-	-	-	-	-	-	1.7	1.9	2.9	3.6*	7.3m	
	5ft ●	-	-	-	-	-	-	-	-	7.3	8.4	13.0	17.0*	4.9	5.7	8.6	12.6*	-	-	-	-	-	-	-	3.7	4.2	6.4	7.9*	24.0ft	
	0m ■	-	-	-	-	-	-	-	-	3.1	3.7	5.7	8.1*	2.1	2.5	3.8	5.9*	-	-	-	-	-	-	-	1.7	2.0	3.0	4.0*	7.1m	
	0ft ●	-	-	-	-	-	-	-	-	6.8	8.2	12.6	17.9*	4.6	5.5	8.4	13.0*	-	-	-	-	-	-	-	3.7	4.4	6.6	8.8*	23.3ft	
	-1.5m ■	-	-	-	-	5.8	6.8	7.4*	7.4*	3.1	3.6	5.7	7.9*	2.1	2.5	3.8	5.7*	-	-	-	-	-	-	-	1.9	2.2	3.4	5.0*	6.5m	
	-5ft ●	-	-	-	-	12.8	15.0	16.3*	16.3*	6.8	7.9	12.6	17.4*	4.6	5.5	8.4	12.6*	-	-	-	-	-	-	-	4.2	4.9	7.5	11.0*	21.3ft	
	2-piece offset Boom: 5.2m, 17'1" Dipper Arm: 2.45m, 8'0" Rear dozer blade	75m ■	-	-	-	-	-	-	-	-	-	-	-	-	-	-	-	-	-	-	-	-	-	-	3.1*	3.1*	3.1*	3.1*	5.1m	
		25ft ●	-	-	-	-	-	-	-	-	-	-	-	-	-	-	-	-	-	-	-	-	-	-	-	6.8*	6.8*	6.8*	6.8*	16.7ft
6m ■		-	-	-	-	-	-	-	-	-	-	-	-	2.7	3.0	3.9*	3.9*	-	-	-	-	-	-	-	2.3	2.6	2.7*	2.7*	6.5m	
20ft ●		-	-	-	-	-	-	-	-	-	-	-	-	6.0	6.6	8.6*	8.6*	-	-	-	-	-	-	-	5.1	5.7	6.0*	6.0*	21.3ft	
4.5m ■		-	-	-	-	-	-	-	-	4.1	4.6	4.8*	4.8*	2.6	2.9	4.3	4.3*	-	-	-	-	-	-	-	1.8	2.1	2.6*	2.6*	7.2m	
15ft ●		-	-	-	-	-	-	-	-	9.0	10.1	10.6*	10.6*	5.6	6.4	9.5	9.5*	-	-	-	-	-	-	-	4.0	4.6	5.7*	5.7*	23.6ft	
3m ■		-	-	-	-	-	-	-	-	3.7	4.2	6.1*	6.1*	2.4	2.7	4.1	4.8*	1.7	1.9	2.8	3.4*	1.6	1.8	2.6*	2.6*	2.6*	2.6*	7.6m		
10ft ●		-	-	-	-	-	-	-	-	8.2	9.3	13.4*	13.4*	5.3	6.0	9.0	10.6*	3.7	4.2	6.2	7.5*	3.5	4.0	5.7*	5.7*	5.7*	5.7*	24.9ft		
15m ■		-	-	-	-	-	-	-	-	3.3	3.8	5.9	7.4*	2.2	2.6	3.9	5.4*	1.6	1.8	2.8	4.2*	1.5	1.8	2.6	2.8*	2.7	2.8*	2.7	7.7m	
5ft ●		-	-	-	-	-	-	-	-	7.3	8.4	13.0	16.3*	4.9	5.7	8.6	11.9*	3.5	4.0	6.2	9.3*	3.3	4.0	5.7	6.2*	6.0	6.2*	6.0	25.3ft	
0m ■		-	-	-	-	-	-	-	-	3.1	3.6	5.7	8.0*	2.1	2.4	3.7	5.8*	1.5	1.8	2.7	3									

LIFTING CAPACITY EW160E with heavy counterweight

At the arm end, without bucket and quick fit. For lifting capacity including bucket/quick fit, simply subtract actual weight of those parts from the following values. With heavy counterweight. Unit: ■ 1 000 kg | ● 1,000 lb
 Notes: 1. Working pressure with Power Boost = 37.5 MPa / 5,440 PSI. 2. The above values are in compliance with ISO standard 10 567. They do not exceed 87 % of hydraulic lifting capacity or 75 % of tipping load, with the machine on firm, level ground. 3. Load capacities marked with an asterisk (*) are limited by machine's hydraulic lifting capacity rather than tipping load.

Lifting point	Reach from machine centre (u = support up/d = support down)																				Max.									
	1.5 m, 5 ft				3.0 m, 10 ft				4.5 m, 15 ft				6.0 m, 20 ft				7.5 m, 25 ft					Max.								
	Across UC		Along UC		Across UC		Along UC		Across UC		Along UC		Across UC		Along UC		Across UC		Along UC			Across UC		Along UC						
	u	d	u	d	u	d	u	d	u	d	u	d	u	d	u	d	u	d	u	d		u	d	u	d					
7.5 m ■	-	-	-	-	-	-	-	-	-	-	-	-	-	-	-	-	-	-	-	-	-	-	-	2.9*	2.9*	2.9*	2.9*	5.3 m		
25 ft ●	-	-	-	-	-	-	-	-	-	-	-	-	-	-	-	-	-	-	-	-	-	-	-	-	6.4*	6.4*	6.4*	6.4*	17.4 ft	
6 m ■	-	-	-	-	-	-	-	-	-	-	-	-	-	2.7	3.0	3.8*	3.8*	-	-	-	-	-	-	-	2.2	2.5	2.5*	2.5*	6.6 m	
20 ft ●	-	-	-	-	-	-	-	-	-	-	-	-	-	6.0	6.6	8.4*	8.4*	-	-	-	-	-	-	-	4.9	5.5	5.5*	5.5*	21.7 ft	
4.5 m ■	-	-	-	-	-	-	-	-	-	4.1	4.7*	4.7*	4.7*	2.6	2.9	4.2*	4.2*	-	-	-	-	-	-	-	1.8	2.0	2.4*	2.4*	7.4 m	
15 ft ●	-	-	-	-	-	-	-	-	-	9.0	10.4*	10.4*	10.4*	5.7	6.4	9.3*	9.3*	-	-	-	-	-	-	-	4.0	4.4	5.3*	5.3*	24.3 ft	
3 m ■	-	-	-	-	-	-	-	-	-	3.7	4.2	6.0*	6.0*	2.4	2.8	4.1	4.7*	1.7	1.9	2.9	3.6*	1.6	1.8	2.4*	2.4*	1.6	1.8	2.4*	2.4*	7.8 m
10 ft ●	-	-	-	-	-	-	-	-	-	8.2	9.3	13.2*	13.2*	5.3	6.2	9.0	10.4*	3.7	4.2	6.4	7.9*	3.5	4.0	5.3*	5.3*	3.5	4.0	5.3*	5.3*	25.6 ft
1.5 m ■	-	-	-	-	-	-	-	-	-	3.3	3.8	5.9	7.3*	2.2	2.6	3.9	5.4*	1.6	1.8	2.8	4.4*	1.5	1.7	2.6	2.6*	1.5	1.7	2.6	2.6*	7.9 m
5 ft ●	-	-	-	-	-	-	-	-	-	7.3	8.4	13.0	16.1*	4.9	5.7	8.6	11.9*	3.5	4.0	6.2	9.7*	3.3	3.7	5.7	5.7*	3.3	3.7	5.7	5.7*	25.9 ft
0 m ■	-	-	-	-	-	-	-	-	-	3.1	3.6	5.7	8.0*	2.1	2.4	3.7	5.8*	1.5	1.8	2.7	4.0*	1.5	1.7	2.6	2.9*	1.5	1.7	2.6	2.9*	7.7 m
0 ft ●	-	-	-	-	-	-	-	-	-	6.8	7.9	12.6	17.6*	4.6	5.3	8.2	12.8*	3.3	4.0	6.0	8.8*	3.3	3.7	5.7	6.4*	3.3	3.7	5.7	6.4*	25.3 ft
-1.5 m ■	-	-	-	-	5.6	6.6*	6.6*	6.6*	3.0	3.6	5.6	8.0*	2.1	2.4	3.7	5.8*	-	-	-	-	-	-	-	1.7	1.9	2.9	3.5*	7.1 m		
-5 ft ●	-	-	-	-	12.3	14.6*	14.6*	14.6*	6.6	7.9	12.3	17.6*	4.6	5.3	8.2	12.8*	-	-	-	-	-	-	-	3.7	4.2	6.4	7.7*	23.3 ft		
-3 m ■	-	-	-	-	-	-	-	-	3.1	3.6	5.7	7.2*	2.1	2.5	3.8	5.1*	-	-	-	-	-	-	-	2.1	2.4	3.6	4.7*	6.2 m		
-10 ft ●	-	-	-	-	-	-	-	-	6.8	7.9	12.6	15.9*	4.6	5.5	8.4	11.2*	-	-	-	-	-	-	-	4.6	5.3	7.9	10.4*	20.3 ft		

2-piece offset Boom:
 5.2m, 17'1" Dipper Arm:
 2.6m, 8'6" Rear dozer
 blade

Equipment

STANDARD EQUIPMENT

Engine

Turbocharged, 4 stroke Volvo diesel engine with water cooling, direct injection and charged air cooler that meets Tier 4 Final emission requirements

Intake air pre-heater

ECO- Modus

Fuel filter and water separator

Fuel filler pump: 50 l/min (13.2 gpm)with automatic shut-off

Aluminium core radiator

Electric / Electronic control system

Contronics-computerized monitoring and diagnostic system

Master electrical disconnect switch

Adjustable automatic idling system

One-touch power boost

Adjustable monitor

Safety stop/start function

2 Frame mounted halogen lamps

Alternator,120 A

Batteries, 2 x 12 V/140 Ah

Start motor, 24 V/5.5 kW

CareTrack via GSM or satellite

Rear view camera

Superstructure

LED Rear lights

Service walkway with anti-slip grating

Centralised lubricating point for slew bearing and boom

Undercarriage

3 speeds (creep / offroad / road speed up to 35km/h / 21.7mph)

Oscillating front axle $\pm 9^\circ$ with out mudguards/ 6° with mudguards

2-circuit travel brakes

Maintenance-free propeller shafts

Hydraulic system

Load sensing hydraulic system

Cylinder cushioning

Cylinder contamination seals

Return filter of full flow type 2 000 h exchange interval

Pressure relief system (servo accumulator)

Proportional controlled visco-clutch cooling fan

Hose rupture valve for boom and arm

Hydraulic long life oil ISO VG 46

Cab and interior

Cup holder

Door locks

Safety glass, light tinted

Floor mat

Horn

Large storage area

Pull-up type front window

Removable lower windshield

Retractable seat belt

Windshield wiper with washer and intermittent feature

Sun shield,front, roof & rear

Bluetooth radio with USB port

Master ignition key

Multi function switch on LH Joystick

Digging Equipment

Attachment points for extra hydraulics

Centralised lubrication point for arm and bucket

OPTIONAL EQUIPMENT

Engine

Diesel coolant heater with digital timer

Block heater, 240 V

Water separator with heater

Dust net

Reversible fan

Air inlet turbo precleaning system

Micro- mesh and sealing for engine compartment

Tropical cooling

Waste package

Electric / Electronic control system

Travel alarm

Rotating beacon

Extra work lights: (LED or halogen)

Service walkway 1 and counterweight 1

Boom-mounted 2

Cab front 2

Extra LED lights on arm and Cab (4)

Multi-channel electric centre passage

Anti-theft system

Tilting and rotating attachment preparation

Superstructure

Heavy counter weight

License plate preparation

Undercarriage

Twin tires 10.00 – 20 / 11.00 – 20

Single tires 18R – 19.5 / 620/40-22.5

Stone protection rings

Solid rubber tires 10.00-20/11.00-20

Front dozer blade and rear outriggers

Rear dozer blade

Front outriggers and rear dozer blade

4 outriggers

Grab holder

Mudguards, front/rear

Tool box, left hand side/right hand side

Cruise control

Travel speed 20 km/h / 12.4mph, 30 km/h / 18.6mph, 35 km/h / 21.7mph

Wide axle 2.75m / 9'0"

Trailer Towing system

Automatic digging brake

Drawer type Toolbox

Hydraulic system

Boom float function

Hydraulic oil, biodegradable ISO VG 32

Hydraulic oil, biodegradable ISO VG 46

Hydraulic long life oil ISO VG 32

Hydraulic long life oil ISO VG 68

Hydraulic equipment for:

Hammer & shears

Slope bucket/rotator

Grab/clam shell

Quick fit

Flow control

flow & pressure control

Boom suspension system

OPTIONAL EQUIPMENT

Cab and interior

Volvo Care Cab with openable PC roof hatch / ROPS
Tiltrotator Joystick
Proportional control joystick
On/off joystick
Falling object guard (FOG)
Cab mounted falling object protective structures (FOPS)
Rain shield, front
Side camera
Steelwrist tiltrotator preparation
Volvo Smart View system
Sunlight protection, roof hatch (steel)
Safety net for front window
Lower wiper
Anti-vandalism kit
Ashtray
Lighter
Seat:
Mechanical Fabric seat, with/or without heater
Airsuspension seat with heater and X isolator
Luxury operator seat with aico and wide armrest
Fixed cab risers
Hydraulic elevated cab

OPTIONAL EQUIPMENT

Digging Equipment

Booms
5.0m/16'5" mono boom
5.1m/16'9" 2-piece boom
4.75m/15'7" mono offset boom
5.2m/17'1" 2-piece offset boom
Dipper arms
2.0m/6'7", 2.45m/8'0", 2.6m/8'6", 3.1m/10'2"
2.95m/9'8" grab arm

Hydraulic quick fit

S1 system
S60 system
Universal system

Service

Tool kit, daily maintenance
Automatic Greasing System
Wheel chocks

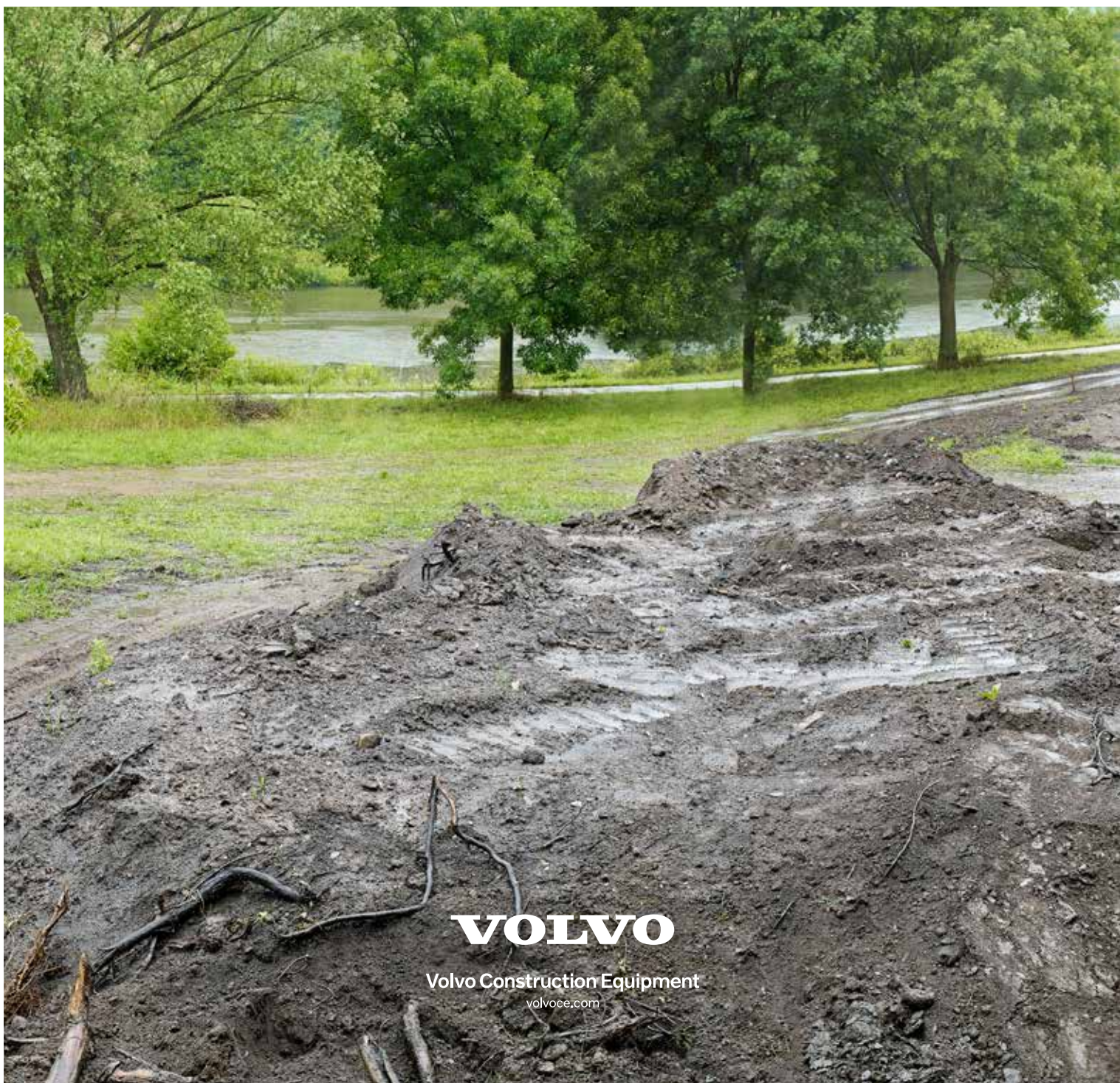
Attachments

Buckets, direct fit and for Quick Couplers:
General Purpose bucket (GP)
Heavy Duty bucket
Lifting eye
Tilt rotator Steelwrist

SELECTION OF VOLVO OPTIONAL EQUIPMENT

Luxury seat**Boom float****LED working lights****Tilt rotator joysticks monitor****Heavy counterweight**

Not all products are available in all markets. Under our policy of continuous improvement, we reserve the right to change specifications and design without prior notice. The illustrations do not necessarily show the standard version of the machine.



VOLVO

Volvo Construction Equipment
volvoce.com