

**V O L V O**



Volvo Articulated Haulers  
Imperial: 38-43 ton(us) / 76,059-85,980lb / 451-469HP  
Metric: 34.5-39t / 34,500-39,000kg / 336-350kW

# **A35G, A40G**

Volvo Construction Equipment



## Being the first. Keeping the lead.

Since introducing Gravel Charlie, the world's first series manufactured articulated hauler, Volvo has consistently led the way when it comes to pioneering technology which delivers unrivalled levels of sustainable productivity and performance.

Today we offer the most comprehensive range of articulated haulers in the industry, with common technology throughout, ensuring optimum results whatever size class you operate. Combined with a range of complementary services and solutions, you can count on Volvo Articulated Haulers to deliver the lowest possible cost per tonne.

As part of our enduring focus on environmental care we are committed to Science Based Targets to achieve net-zero value chain emissions by 2040. From product planning through to end-of-life, our focus continues to be on minimizing our global footprint and driving transformation in our industry.



Follow our carbon reduction journey



# Keep on moving

Effective maintenance can have a big influence on your total cost of ownership. Volvo Articulated Haulers are designed to be easy to service, helping you to maximize your uptime and keep maintenance costs to a minimum.

## Reduce oil volume by half

When measured over the lifetime of the machine, Volvo Articulated Haulers require less than half the fluid volume compared to competition, benefitting both the environment and your operating costs.



## 1,000hr engine service intervals

Volvo Engine Oil and High Performance Filters offer 1000 hour engine service intervals. The result is 50% less oil and filters – reducing maintenance requirements as well as your environmental impact.



## Easy to service

Servicing your machine is quick and easy thanks to industry leading service access and essential maintenance points accessible from the ground. The front grill swings down, opening a service platform with anti-slip steps and the electric hood opens to 90 degrees, allowing full access to the engine compartment.



## Service alerts

Fluid levels are constantly monitored with timely service alerts displayed on the dashboard, helping you stay on top of your maintenance requirements.



Reduce your maintenance costs with Volvo Articulated Haulers.

# NO DAILY OR WEEKLY GREASING

With Volvo Articulated Haulers greasing is only required every 250 hours – the best in the industry – delivering maximum uptime.

# Haul Assist

Gain access to a set of tools designed to help you get the most out of your Volvo Articulated Hauler and boost your profitability.

## Proactive tire management

Optimize tire life with the support of the Tire Pressure Monitoring System, which allows the operator to monitor tire pressure and temperature from the comfort of the cab.



## A complete site overview

Monitor the whereabouts of all your machines, vehicles and visitors in real-time with Map, a connected tool which provides accurate positioning to help monitor on-site traffic and navigate the site more efficiently.



## Go into detail

Reports can be generated automatically on a daily and weekly basis, or manually at any time, including the geo-tracking of moved material which is enabled by Map.



## Support you can count on

As a fully integrated and factory-fitted Volvo system, all the components, hardware and software of Haul Assist are supported by your Volvo dealer to keep your operation running smoothly. What's more, you will benefit from over-the-air updates, easy upgrades and remote support.



# TAKE CONTROL OF YOUR PRODUCTIVITY

On-Board Weighing provides real-time payload information which can help to eliminate carry-back and overloading; the result is peak productivity, reduced fuel consumption and less machine wear.

# Move more for less

Boost your profits with Volvo Articulated Haulers, designed to deliver high productivity at the lowest cost per tonne.

## Optimized payload

The machine is optimized for efficiency featuring high payload capabilities. Its smart design allows for more capacity while reducing fuel consumption so you can move more for less.



## Volvo dynamic drive

Dynamic and predictive gear selection adapts to operating conditions, for improved comfort and fuel efficiency.



## Simply the best


The machine delivers unbeatable off-road performance in its class with features including proven Volvo drivetrain, automatic drive combinations including 100% differential locks, all-terrain bogie and hydro-mechanical steering.



## Smooth descent

Make your daily job easier with downhill speed control. The function automatically maintains a constant speed when operating on downward gradients and is the perfect alternative to the retarder pedal for a more efficient and comfortable shift.



  
Volvo Articulated Haulers deliver the highest profitability.



# INTELLIGENT EFFICIENCY

Experience superb fuel efficiency without compromising on power and performance thanks to the world-renowned Volvo drivetrain, including Terrain Memory. The intelligent function identifies and remembers slippery road segments to ensure optimized traction control – the result is excellent off-road mobility.

# Control in comfort

Featuring superior comfort, ease of operation and safety, the industry-leading cab appeals to operators and helps maintain productivity all day, every day.

## Total control

Volvo Articulated Haulers are packed with features to help operators get the most from the machine. Intelligent functions such as cruise control, downhill speed control and hill assist help control the hauler with ease and efficiency, for enhanced safety and productivity in all conditions.



## Ease of operation

The ergonomic, comfortable and easy-to-understand controls are designed to suit all operators. Additional automatic functions such as OptiShift – which enables fast and smooth directional changes – further enhance ease of operation.



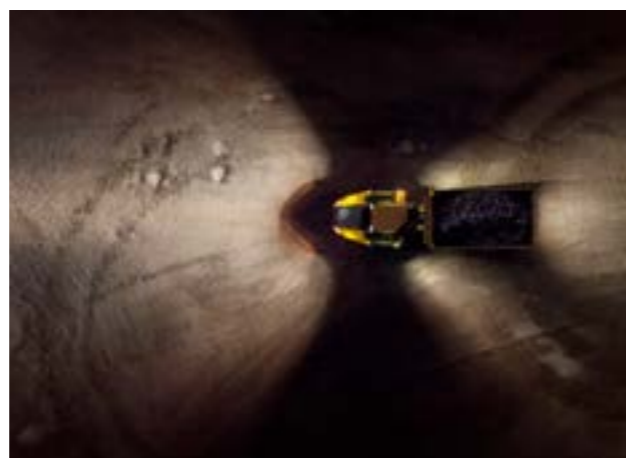
## Operator comfort

Feel comfortable and spend more time in the Volvo Articulated Haulers. The centrally positioned operator, superior steering, excellent suspension, low noise levels, climate control, space and visibility reduce operator fatigue for more effective operations.



## Safety first

Whether its operators, trainers, technicians or site workers – safety on site is of fundamental importance. In the Volvo Articulated Haulers superior visibility and efficient lighting combine with features such as the brake test and dump support, helping to keep everyone working around the machine safe.



Volvo Articulated Haulers are the operator's number one choice.

# OPERATOR'S CHOICE

A happy operator is a more productive operator and when many other machines are onsite, most operators prefer the Volvo. Even in the most adverse conditions, its comfortable cab and ease of operation keep operators alert and performing their best.

# Hauling heavy profits

## Only from Volvo

- Industry-leading Volvo engine and driveline: high performance, high fuel efficiency
- Terrain Memory function: optimized engagement of the traction control for excellent off-road mobility
- Volvo dynamic drive
- Automatic drive combinations including 100% differential locks, all-terrain bogie and hydromechanical steering
- OptiShift: fast and smooth directional changes

## Haul Assist

- On-Board Weighing: real-time payload monitoring
- Tire Pressure Monitoring System
- Map: real-time positioning of on-site traffic
- Productivity Reports, including the geo-tracking of moved material
- Over-the-air updates, easy upgrades, remote support

## Service and maintenance

- 250-hour greasing interval
- Half the fluid volume compared to the competition
- 1,000hr engine service intervals
- Service reminders and fluid level monitoring
- Industry-leading service access and ground-accessible service points

## The operator's choice

- Ease of operation: ergonomic and easy-to-understand controls
- Centrally positioned operator for best-in-class visibility
- Cruise control, hill assist, dump support system, load and dump brake
- The downhill speed control function automatically maintains a constant speed when operating on downward gradients
- Built-in brake test: schedule and perform a stationary brake test, guided by the machine display

## Solutions for you

- Easy machine monitoring: CareTrack, ActiveCare Direct
- Lifetime Frame and Structure Warranty
- 24hr parts delivery guarantee
- Genuine Volvo Parts
- Volvo Site Simulation: get recommendations on the best fleet configuration and site set-up
- Operator Training Program: unlock the full potential of your machine
- Uptime Services: control your maintenance costs



# Configured for success

Ensuring your fleet is configured in the correct way can yield huge benefits to your operation including more productivity, enhanced performance and less costs.

Here are some tips to help tailor your new Volvo Articulated Hauler according to the application, site conditions and type of transported material, as well as matching to the appropriate loading unit. For more detailed information, talk to your Volvo dealer!

## Body options

Question	Answer	Solution
<b>Dealing with height restrictions?</b> Operating in restricted height conditions e.g. silos or underground	No	Select standard body
	Yes	Select low profile body
<b>Hauling abrasive material?</b> Granite, silicate etc	No	Go to next question
	Yes	Select wear plates / rock liners for extended service life
<b>What material density?</b> Gravel is ~1.4 sh tn/yd <sup>3</sup>	> 1.3 sh tn/yd <sup>3</sup> (gravel, blasted rock)	Go to next question
	1.0 - 1.3 sh tn/yd <sup>3</sup> (dry earth, shale)	Select side extensions to increase body volume
	< 0.85 sh tn/yd <sup>3</sup> (coal, fly ash etc)	Select light material kit to increase body volume
<b>Front spill protection needed?</b> Getting loaded by large excavator	No	Go to next question
	Yes	Select front spillguard
<b>Extra load retention needed?</b> Risk of dropping material e.g. when climbing steep inclines	No	Go to next question
	Yes, but not hauling boulders	Select tailgate – overhung type – to reduce spillage
	Yes, hauling boulders	Select tailgate – underhung type – to reduce spillage
<b>Hauling sticky material?</b> Risk of carry-back	No	Go to next question
	Yes	Select body exhaust heating

Exceeding gross machine weight is not permitted. Payload should be reduced by the weight of the optional equipment.

## Tires

Question	Answer	Solution
<b>Operating on abrasive haulroad?</b> Risk of tire cuts or extensive wear	No	E3 tires are optimized for soft ground, offering the best traction and high average speed
	Yes	Select E4 tires for the best cut resistance, comfort and tread life
<b>Extra flotation needed?</b> Risk of sinkage in soft ground	No	Select standard profile tires
	Yes	Select low profile tires, featuring lower ground pressure for improved flotation, stability and comfort



## Optimal pass-matching

Volvo Excavator	EC380	EC480	EC530	EC550	EC750	EC950
	Number of passes					
A35G	9	7	6	5	4	3
A40G	10	8	7	6	5	4

- Excavator overcapacity, 3 buckets or below
- Well matched, 4-6 buckets (≈ 90 seconds loading time)
- Excavator undercapacity, 7 buckets or more
- Excavator undersized for optimum match

Volvo Wheel Loader	L110	L120	L150	L180	L220	L260	L350
	Number of passes						
A35G	6	6	5	4	4	3	3
A40G	7	7	5	5	5	4	3

- Loader overcapacity, 2 buckets or below
- Well matched, 2-3 buckets (≈ 90 seconds loading time)
- Loader undercapacity, 4 buckets or more
- Loader undersized for optimum match. Reach might also be an issue



## Hauler chassis solutions

With Special Application Solutions and different chassis options you can tailor Volvo Articulated Haulers to your specific needs.





# Volvo A35G, A40G in detail

Engine			
V-ACT, 13 liter, 6-cylinder straight VGT (Variable Geometry Turbocharged) diesel engine with 4 valves per cylinder, overhead camshaft and electronically controlled unit injectors. It has wet replaceable cylinder liners and replaceable valve guides and valve seats.			
The engine has cooled EGR (Exhaust Gas Recirculation) and exhaust after treatment with EAT-Muffler (Exhaust After treatment) including DOC (Diesel Oxidation Catalyst), DPF (Diesel Particulate Filter) and SCR (Selective Catalytic Reduction) with an electronically controlled UDS (Urea Dosing System).			
After treatment system features passive DPF regeneration with an AHI (After treatment Hydro carbon Injection) device as back up.			
		A35G	A40G
Engine model	Volvo	D13J	D13J
Max power - SAE J1995 Gross	kW (hp)	336 (451)	350 (469)
at engine speed	r/min (r/s)	1,900 (31.7)	1,900 (31.7)
Flywheel power - ISO 9249, SAE J1349 Net	kW (hp)	333 (447)	347 (465)
at engine speed	r/min (r/s)	1,900 (31.7)	1,900 (31.7)
Max torque - SAE J1995 Gross	Nm (ft lbf)	2,407 (1,775)	2,525 (1,862)
Max torque - ISO 9249, SAE J1349 Net	Nm (ft lbf)	2,386 (1,760)	2,500 (1,844)
at engine speed	r/min (r/s)	1,200 (20)	1,050 (17.5)
Displacement	l (in <sup>3</sup> )	12.8 (781)	12.8 (781)
Electrical System			
All cables, sockets and pins are identified. Cables are enclosed in plastic conduits and secured to main frame. Halogen lights. Prewired for options. Connectors meet IP67 standard for water-proofing as necessary.			
		A35G	A40G
Voltage	V	24	24
Battery	V	2x12	2x12
Battery capacity	Ah	2x170	2x170
Alternator	kW/A	3.396/120	3.396/120
Starter motor	kW	9	9
Drivetrain			
Torque converter with built-in lock-up function.			
Transmission: Fully automatic Volvo PowerTronic planetary transmission with nine forward gears and three reverse gears. The transmission has the ability to skip gears for fast and accurate gear selection.			
Dropbox: Volvo-developed, in-line design with high ground clearance and 100% longitudinal "dog clutch" type differential lock.			
Axles: Heavy duty, purpose built Volvo design with fully floating axle shafts, planetary type hub reductions and 100% dog clutch type diff-lock. Automatic traction control system (ATC).			
		A35G	A40G
Torque converter		2.1:1	2.1:1
Transmission	Volvo	PT 2529	PT 2529
Dropbox	Volvo	IL2 ATC	IL2 ATC
Axles	Volvo	ARB H35	ARB H40

Brake system			
Fully hydraulic, wet multiple disc brakes with enclosed, forced oil-cooled multiple discs on all wheels. Two circuit brake system. Complies with ISO 3450 at total machine weight.			
<b>Circuit division:</b> One circuit for front axle and one for bogie axles.			
<b>Parking brake:</b> Spring-applied disc brake acting on the trailer unit propeller shaft. When the parking brake is applied, the longitudinal differential locked.			
<b>Retarder:</b> Service brake retarder function and Volvo Engine Brake (VEB).			
Steering System			
Hydro-mechanical articulated steering, self compensating design. Two double-acting steering cylinders.			
<b>Steering angle:</b> 3,4 steering wheel turns lock-to-lock, ±45°.			
Steering system, including secondary steering fulfil ISO 5010.			
Chassis			
<b>Frames:</b> box type, heavy duty. High strength steel, robot welded.			
<b>Rotating hitch:</b> 100% maintenance free, fully sealed, with permanently greased tapered roller bearings.			
Cab			
Mounted on rubber pads. Ergonomically designed. Easy entry and exit. Wide angle forward view.			
Operator centrally positioned above the front axle. Adjustable operators seat with retractable seat belt.			
Tilt/telescopic steering wheel. Ergonomically positioned controls. Filtered air. Climate control system.			
<b>Operator communication system:</b> Contronics.			
Large color display, user-friendly and easy-to-understand information, all vital machine functions are constantly monitored.			
Instructor seat with seat belt.			
<b>Safety:</b> ROPS/FOPS standards approved according to ISO3471, SAE J1040 / ISO3449, SAE J231.			
		A35G	A40G
Sound level in cab (ISO 6396) - L <sub>pA</sub>	dB	72	72
External sound level (ISO 6395) - L <sub>WA</sub>	dB	112	112
Internal sound level with sound kit: 70 dB(A)			
External sound level with sound kit: 110 dB(A)			

Hydraulic system			
<b>Pumps:</b> Four variable displacement piston pumps driven by the flywheel PTO.			
Two load-sensing used for steering and tipping and two electrical controlled used for fan, brake cooling and brake power supply.			
One ground-dependent piston pump for secondary steering mounted on the dropbox.			
Two return oil filters with magnetic cores provide effective oil filtration.			
		A35G	A40G
System max working pressure	MPa (psi)	26 (3,771)	26 (3,771)
Dumping System			
Patented Load and Dump Brake.			
<b>Dumping Cylinders:</b> two single stage double acting cylinders.			
		A35G	A40G
Tipping angle	°	72	70
Tipping time with load	s	12	12
Lowering time	s	10	10
Body			
		A35G	A40G
Plate thickness			
Front	mm (in)	8 (0.31)	8 (0.31)
Sides	mm (in)	11 (0.43)	11 (0.43)
Bottom	mm (in)	14 (0.55)	14 (0.55)
Chute	mm (in)	16 (0.63)	16 (0.63)
Material			
HB450 steel			
Yield strength	N/mm <sup>2</sup> (psi)	1,150 (166,793)	1,150 (166,793)
Tensile strength	N/mm <sup>2</sup> (psi)	1,350 (195,801)	1,350 (195,801)

Load Capacity			
		A35G	A40G
Standard Body			
Load capacity	kg (sh tn)	34,500 (38)	39,000 (43)
Body, struck	m <sup>3</sup> (yd <sup>3</sup> )	16.6 (21.7)	18.4 (24.1)
Body, heaped 2:1	m <sup>3</sup> (yd <sup>3</sup> )	21.2 (27.7)	24 (31.4)
With overhung tailgate			
Body, struck	m <sup>3</sup> (yd <sup>3</sup> )	17 (22.2)	18.8 (24.6)
Body, heaped 2:1	m <sup>3</sup> (yd <sup>3</sup> )	22.1 (28.9)	24.7 (32.3)
Suspension			
<b>Front suspension:</b> Three point suspension consisting of a stay fitted to the frame structure by a spherical rubber bushing, shock absorbers with accumulators and cross stays.			
<b>Rear suspension:</b> 3-point bogie beam suspension consisting of a straddle-mounted bogie beam with maintenance free rubber bearings, flexible rubber pads, cross stays and a-stay.			



# Specifications

## REFILL CAPACITIES

			A35G		A40G	
Crankcase	l	gal	50	13.2	50	13.2
Fuel tank	l	gal	480	126.8	480	126.8
Cooling system	l	gal	44	11.6	44	11.6
Brake cooling system	l	gal	188	49.7	188	49.7
Transmission	l	gal	43	11.4	43	11.4
Dropbox	l	gal	9	2.4	9	2.4
Axles, front/bogie	l	gal	25/51	6.6/13.5	26/53	6.9/14
Hydraulic tank	l	gal	174	46	174	46
DEF	l	gal	39	10.3	39	10.3

## SPEED

			A35G		A40G	
<b>Forward</b>						
1	km/h	mph	5.9	3.7	5.8	3.6
2	km/h	mph	8.6	5.3	8.5	5.3
3	km/h	mph	10.3	6.4	10.4	6.5
4	km/h	mph	15.2	9.4	15	9.3
5	km/h	mph	21.9	13.6	21.6	13.4
6	km/h	mph	27.7	17.2	27.3	17
7	km/h	mph	36.6	22.7	36.1	22.4
8	km/h	mph	48.5	30.1	47.8	29.7
9	km/h	mph	57	35.4	57	35.4
<b>Reverse</b>						
1	km/h	mph	6.6	4.1	6.5	4
2	km/h	mph	9.5	5.9	9.4	5.8
3	km/h	mph	18	11.2	18	11.2

## OPERATING WEIGHT UNLOADED

			A35G		A40G	
Tires			26.5R25*		29.5R25**	
Front	kg	lb	15,700	34,613	16,100	35,494
Rear	kg	lb	13,600	29,983	14,600	32,187
Total	kg	lb	29,300	64,595	30,700	67,682
Payload	kg	lb	34,500	76,059	39,000	85,980

Operating weight includes all fluids and operator

\*) A35G with tires 775/65R25, add 200 kg (440 lb)/axle

\*\*) A40G with tires 875/65R25, add 300 kg (660 lb)/axle

## TOTAL WEIGHT

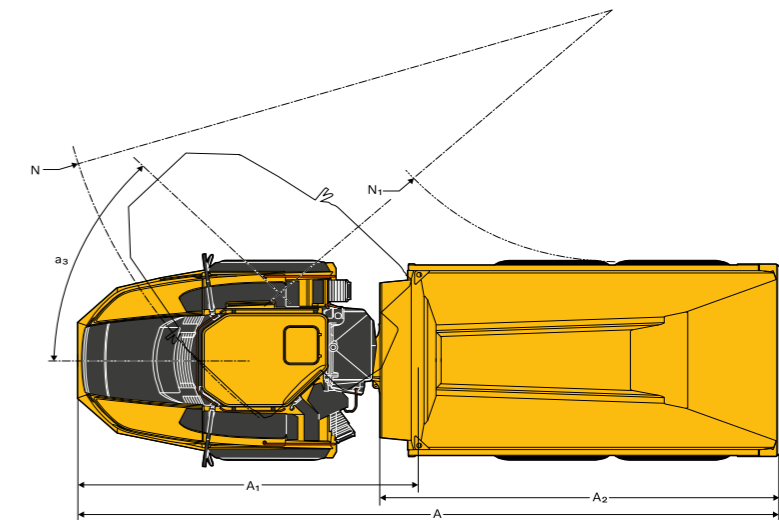
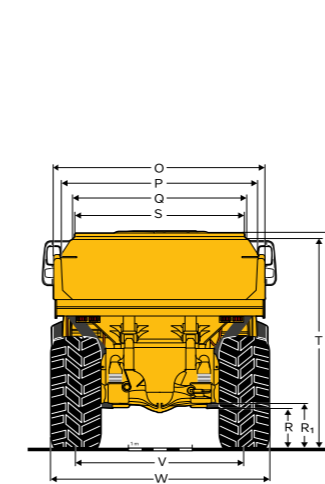
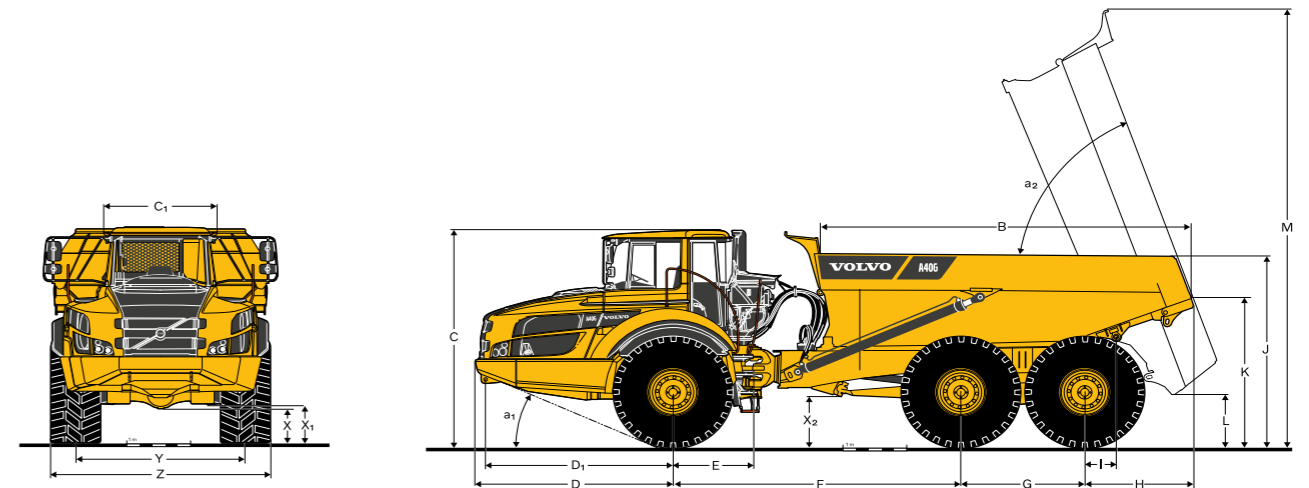
			A35G		A40G	
Tires			26.5R25*		29.5R25**	
Front	kg	lb	19,200	42,329	20,450	45,084
Rear	kg	lb	44,600	98,326	49,250	108,578
Total	kg	lb	63,800	140,655	69,700	153,662

\*) A35G with tires 775/65R25, add 200 kg (440 lb)/axle

\*\*) A40G with tires 875/65R25, add 300 kg (660 lb)/axle

## GROUND PRESSURE

			A35G		A40G		A35G		A40G	
Tires			26.5R25		29.5R25		775/65R25		875/65R25	
<b>Unloaded</b>										
Front	kPa	psi	132	19.1	111	16.1	115	16.7	98	14.2
Rear	kPa	psi	54	7.8	47	6.8	48	7	42	6.1
<b>Loaded</b>										
Front	kPa	psi	158	22.9	139	20.2	138	20	121	17.5
Rear	kPa	psi	183	26.5	167	24.2	160	23.2	146	21.2



## DIMENSIONS

Pos	Unit	A35G		A40G	
A	mm ft in	11,180	36'8"	11,263	36'11"
A <sub>1</sub>	mm ft in	5,476	18'	5,476	18'
A <sub>2</sub>	mm ft in	6,241	20'6"	6,404	21'0"
B	mm ft in	5,568	18'3"	5,844	19'2"
C	mm ft in	3,547	11'8"	3,599	11'10"
C <sub>1</sub>	mm ft in	1,772	5'10"	1,772	5'10"
D	mm ft in	3,100	10'2"	3,100	10'2"
D <sub>1</sub>	mm ft in	2,942	9'8"	2,942	9'8"
E	mm ft in	1,277	4'2"	1,277	4'2"
F	mm ft in	4,578	15'0"	4,518	14'10"
G	mm ft in	1,820	6'	1,940	6'4"
H	mm ft in	1,683	5'6"	1,706	5'7"
I	mm ft in	650	2'2"	495	1'7"
J	mm ft in	3,014	9'11"	3,132	10'3"
K	mm ft in	2,304	7'7"	2,435	8'
L	mm ft in	890	2'11"	822	2'8"
M	mm ft in	7,236	23'9"	7,265	23'10"
N	mm ft in	8,866	29'1"	8,957	29'5"
N <sub>1</sub>	mm ft in	4,416	14'6"	4,327	14'2"
O	mm ft in	3,216	10'7"	3,430	11'3"

## DIMENSIONS

Pos	Unit	A35G		A40G	
P	mm ft in	2,902	9'6"	3,118	10'3"
Q	mm ft in	2,553	8'5"	2,820	9'3"
R	mm ft in	564	1'10"	613	2'0"
R <sub>1</sub>	mm ft in	652	2'2"	701	2'4"
S	mm ft in	2,423	7'11"	2,651	8'8"
T	mm ft in	3,382	11'1"	3,427	11'3"
U	mm ft in	3,498	11'6"	3,546	11'8"
V	mm ft in	2,534	8'4"	2,636	8'8"
W	mm ft in	3,221	10'7"	3,403	11'2"
X	mm ft in	500	1'8"	553	1'10"
X <sub>1</sub>	mm ft in	592	1'11"	645	2'1"
X <sub>2</sub>	mm ft in	738	2'5"	788	2'7"
Y	mm ft in	2,534	8'4"	2,636	8'8"
Z	mm ft in	3,221	10'7"	3,403	11'2"
a <sub>1</sub>	°	23.6		24.3	
a <sub>2</sub>	°	72		70	
a <sub>3</sub>	°	45		45	

A35G: Unloaded machine with 26.5R25

A40G: Unloaded machine with 29.5R25

# Equipment

STANDARD EQUIPMENT	A35G	A40G
<b>Engine</b>		
Direct injected, electronically controlled, turbocharged, intercooled	•	•
Grouped oil filters	•	•
Preheater for easier cold starts	•	•
VEB (exhaust retarder EPG + compression brake)	•	•
<b>Tires</b>		
26.5R25	•	–
29.5R25	–	•
<b>Drivetrain</b>		
6x4 and 6x6 automatically engaged drive modes	•	•
Dog clutch type 100% diff-locks in all axles	•	•
Full automatic transmission	•	•
Dropbox with longitudinal diff-lock	•	•
Torque converter with automatic lock-up	•	•
<b>Electrical System</b>		
120 A alternator	•	•
Battery disconnect switch	•	•
Extra 24 V socket for lunch cooler	•	•
Lights:	•	•
Back-up light	•	•
Brake lights	•	•
Cab lighting	•	•
Direction indicators	•	•
Headlights	•	•
Instrument lighting	•	•
Parking lights	•	•
Rear lights	•	•
<b>Brake system</b>		
Hill assist	•	•
Load & Dump Brake	•	•
Retarder pedal	•	•
Parking brake on propeller shaft	•	•
Two circuit, fully hydraulic, wet discs on all axles	•	•
<b>Body</b>		
Body prepared for exhaust heating and optional equipment	•	•
<b>Safety</b>		
Anti-slip steps and platforms	•	•
Dump body lock	•	•
Handrails on steps and platforms	•	•
Hazard lights	•	•
Horn	•	•
Protective grill for cab rear window	•	•
Rear-view mirrors	•	•
Retractable 3-inch safety belt	•	•
ROPS/ FOPS - certified cab	•	•
Secondary steering	•	•
Steering joint lock	•	•
Windshield washers	•	•
Windshield wipers with interval function	•	•
Dump support system	•	•

STANDARD EQUIPMENT	A35G	A40G
<b>Comfort</b>		
ACC control panel	•	•
Ashtray	•	•
Cab heater with filtered fresh air and defroster	•	•
Can holder /storage tray	•	•
Instructor seat with seat belt	•	•
Overhead console for radio	•	•
Sliding window	•	•
Space for lunch cooler	•	•
Storage box	•	•
Sun visor	•	•
Tilt/telescopic steering wheel	•	•
Tinted glass	•	•
<b>Operator information interface</b>		
Gauges:		
Brake pressure	•	•
Fuel	•	•
Speedometer	•	•
Tachometer	•	•
Wet disc brakes cooling oil temperature	•	•
<b>Warning lights grouped and easy to read</b>		
Central warning (3 levels) for all vital functions	•	•
<b>Central positioned information display</b>		
Automatic pre-start checks	•	•
Clock	•	•
Hour meter	•	•
Operational information, easy-to-navigate menu	•	•
Troubleshooting diagnostics	•	•
<b>Exterior</b>		
Front mudguard wideners and rear mudflaps	•	•
<b>Service and maintenance</b>		
Electrical engine hood	•	•
Machine Tracking Information System MATRIS	•	•
Service platform integrated in the front grill	•	•
Tool box	•	•

OPTIONAL EQUIPMENT	A35G	A40G
<b>Engine</b>		
Air filter, heavy duty, EON	•	•
Engine heater, 120 V, USA	•	•
Engine heater, 240 V	•	•
Engine heater, diesel (Eberspächer)	•	•
Engine auto shutdown	•	•
Engine shutdown timer	•	•
External emergency engine stop	•	•
Fuel filter, extra	•	•
High engine idle speed	•	•
<b>Tires</b>		
775/65R25	•	–
875/65R25	–	•

OPTIONAL EQUIPMENT	A35G	A40G
<b>Electrical System</b>		
Headlights, LED	•	•
Warning beacon, LED	•	•
Working lights, halogen	•	•
Working lights, LED	•	•
Entrance light	•	•
Anti-theft system (pin code)	•	•
Rear view camera	•	•
Reverse alarm	•	•
CAN-BUS interface, extra	•	•
<b>Cab</b>		
Noise reduction kit (fulfils 2000/14/EC)	•	•
Anchorage, operator's manual	•	•
Cab heating/ventilation timer	•	•
Cable kit, for cab heater 240 V	•	•
HEPA cab air filter	•	•
Bluetooth radio kit	•	•
Rear view mirrors, adjustable, el.heated	•	•
Seat belt XXL, non-retractable	•	•
Sun blinds, side windows	•	•
Universal key	•	•
Air suspended, heated, fully adjustable seat	•	•
Armrest for operator seat	•	•
Headrest for operator seat	•	•
Low profile cab	•	•

OPTIONAL EQUIPMENT	A35G	A40G
<b>Body</b>		
Body exhaust heating	•	•
Front spillguard, extra	•	•
Side extension, 200 mm / 7.9 in	•	•
Side extension, light material	•	•
Tailgate, overhung, linkage-operated	•	•
Tailgate, overhung, wire-operated	•	•
Tailgate, underhung	•	•
Wear plates, 450 HB	•	•
Underground body	•	•
<b>Safety</b>		
Fire suppression system	•	•
Warning triangle	•	•
First aid kit and fire extinguisher	•	•
Fire extinguisher	•	•
Wheel chocks	•	•
<b>Service and maintenance</b>		
Lube system, standard machine	•	•
Lube system, tailgate	•	•
Lubrication hose, ground level greasing	•	•
Tool kit	•	•
<b>Others</b>		
Siberian kit -40°C	•	•
Arctic oil kit	•	•
CareTrack	•	•
Fast fuelling system	•	•
Jump start connector, NATO -type	•	•
Frame extension	•	•
Haul Assist - On-Board Weighing	•	•
Haul Assist - Tire Pressure Monitoring System	•	•

## SELECTION OF VOLVO OPTIONAL EQUIPMENT

Fire suppression system



Fast fuelling



Heavy duty air filter



Exhaust body heating



LED lighting



Wear plates












Not all products are available in all markets. Under our policy of continuous improvement, we reserve the right to change specifications and design without prior notice. The illustrations do not necessarily show the standard version of the machine.

# Solutions for you

Our industry leading machines are just the start of your relationship with Volvo. As your partner, we have developed an extensive range of additional solutions to help you improve uptime, boost productivity and reduce costs.

Our portfolio of products and services is designed to complement your machine's performance and boost your profitability. Simply put, we offer some of the best guarantees, warranties and technological solutions in the industry today. Below are just some examples. Talk to your dealer to find out and discuss the right fit for you!

 Fuel Efficiency Services	 Productivity Services	 Safety Services
 Financial Services	 Uptime Services	 Rental Services
 Volvo Attachments	 Genuine Volvo Parts	 New life Services



## Get the most from your machine

While reliable and efficient machines of course play a vital role in reducing costs, enhancing safety and maximizing productivity, it is ultimately the performance of the operator that really makes the difference. We offer a range of training initiatives to help operators unlock the full capability of their Volvo Articulated Hauler.

## Connected to Uptime

Maximize machine uptime and reduce repair costs with the CareTrack telematic system. Choose to keep track of your machine yourself or let us take care of it with ActiveCare Direct. Our Volvo Uptime Center will provide 24/7 machine monitoring, supplying weekly reports and notifying you should preventive maintenance action be required.

## Control your maintenance costs

Stay on track with planned servicing and keep your asset covered with our range of flexible maintenance and repair agreements.

## Optimize site efficiency

Using Volvo Site Simulation, we can help you make on-site logistics more efficient and lower your cost per tonne. Get recommendations on the best fleet configuration and site set-up to maximize profitability.

## 24h parts delivery guarantee

Maintain productivity and machine uptime with our range of readily available parts, all backed by Volvo warranty – with 24-hour parts delivery guarantee. Only by using Genuine Volvo Parts, can you protect your investment, extend machine life and guarantee long lasting performance.

## Lifetime Frame and Structure Warranty

Quality has long been a hallmark of the Volvo brand. Decades of experience, both in the field and in the laboratory, are today delivering unsurpassed frame and structure durability. We believe in the quality of our products – so much so that Volvo machines come with a Lifetime Frame and Structure Warranty, covering the frame, articulation joint.

**V O L V O**