

V O L V O



Volvo Single Drum Compactors 4.9 t / 10,900 lb 55kW / 74hp

SD45B

Volvo Construction Equipment

SD45B



Versatility for all your jobs



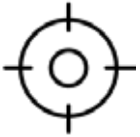
Whether operating in confined spaces or across difficult terrain, the SD45B provides solid stability and versatility.

Designed to climb



Volvo's standard full-time traction system, coupled with the NoSPIN[®] differential provides excellent performance.

Small in size, big in performance



Power up, costs down

Boost productivity without compromising costs with the Volvo engine, featuring automatic idling and passive regeneration.



More work, fewer passes

Achieve density in fewer passes with high centrifugal force, high amplitude and heavy drum weight.



Volvo puts you in control

Reduce fatigue with all-around visibility, the adjustable seat and easy-to-reach controls.



Efficient from the ground-up

Optimize service efficiency with the hinged engine hood and tilt able operator's platform for swift ground-level access.



Get to work fast

Swiftly move around jobsites in the transportable SD45B and convert the drum from smooth to padfoot in less than an hour.



Here to support you

Ensure your machine retains its performance with Genuine Volvo Parts, available at your local Volvo dealer.



Never stop improving

Reduce maintenance costs, increase service life and optimize your operations with Volvo's diagnostic software, MATRIS.



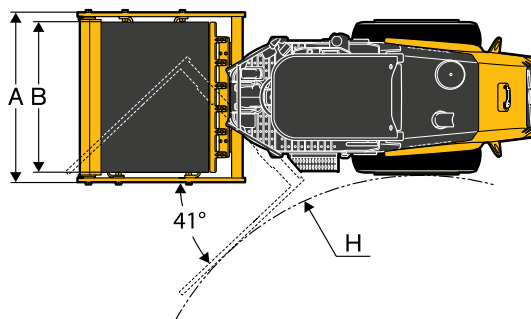
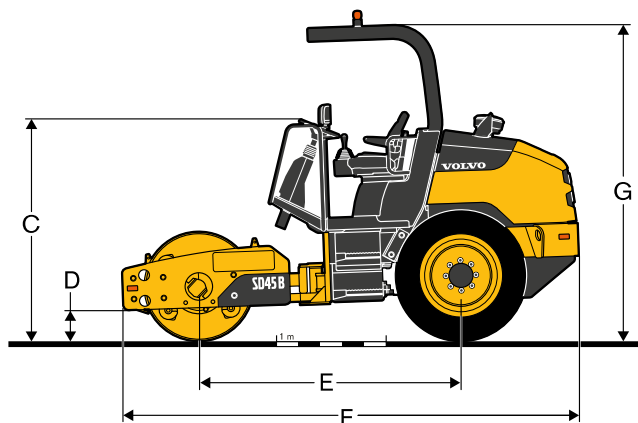
Control service costs

Customer Support Agreements offer preventative maintenance, total repairs and uptime services to reduce costs.

Volvo SD45B in detail

Model				SD45B			
				Smooth		Padfoot	
Machine Weights (inc. cab and inside scraper)							
Operating Weight (CECE)	kg	lb	4,948	10,910	5,288	11,660	
Static Weight @ Drum	kg	lb	2,449	5,400	2,789	6,150	
Static Weight @ Tyres	kg	lb	2,497	5,510	2,497	5,510	
Shipping Weight	kg	lb	4,854	10,703	5,197	5,194	
Drum							
Width	mm	in	1,372	54	1,372	54	
Diameter	mm	in	1,001	39.4	1,001	39.4	
Shell Thickness	mm	in	20	0.8	20	0.8	
Diameter Over Pad Feet	mm	in	-	-	1,153	45.4	
Pad Feet	number of		-	-	63	63	
Pad Height	mm	in	-	-	73	3	
Pad Tip Area	cm ²	in ²	-	-	75.88	11.76	
Vibration							
Frequency		Hz	vpm	30.8/27.5	1,848/1,650	30.8/27.5	1,848/1,650
Centrifugal Force	High Freq	kN	lbf	93	21,000	93	21,000
	Low Freq	kN	lbf	75	16,800	75	16,800
Nominal Amplitude	High Freq	mm	in	1.99	0.078	1.71	0.067
	Low Freq	mm	in	1.99	0.078	1.71	0.067
Propulsion							
Type	Hydrostatic, single speed motor on planetary axle with flow divider and LSHT motor for drum drive						
Tyre	12.4-28 8PR			12.4-24 8PR R1			
Drum Drive	Low speed high torque motor						
Travel Speed							
Speed	High	km/h	mi/h	0-9.1	0-5.7	0-9.1	0-5.7
Engine							
Make / Model	Volvo D3.3H						
Engine Type	4 cylinders, direct injection, turbocharged, cooled EGR						
Rated Power @ 2,200 r/min	kW	hp	55	74	55	74	
Electrical System							
Voltage (Negative ground)	Volt		12				
Alternator	A		90				
Batteries	CCA		750				
Brakes							
Service	Hydrostatic						
Parking / Secondary	Spring Applied, Hydraulically released on axle						
Miscellaneous							
Articulation Angle	°		41				
Oscillation Angle	°		12				
Fuel Capacity	l	gal	101.3	26.8	101.3	26.8	
Hydraulic Oil Capacity	l	gal	96.1	25.4	96.1	25.4	
Gradeability (theoretical)	%		45		41.1		
Guaranteed Sound Level							
Operator's Ear, acc. to ISO 11203:2009	L _{PA} dB(A)		86				
External, acc. to Directive 2000/14/EC	L _{WA} dB(A)		105				

Specifications



DIMENSIONS

	Unit		SD45B			
			Smooth drum		Padfoot drum	
A	mm	in	1,550	61.0	1,550	61.0
B	mm	in	1,372	54.0	1,372	54.0
C	mm	in	1,995	78.5	2,080	81.9
D	mm	in	305	12.0	368	14.5
E	mm	in	2,400	94.5	2,400	94.5
F	mm	in	4,181	164.6	4,181	164.6
G	mm	in	2,830	111.4	2,919	114.9
H	mm	in	2,569	101.1	2,569	101.1

Equipment

STANDARD EQUIPMENT

Traction control
Auto-vibration
Volvo standard ROPS
Variable frequency*
Full suspension seat
Tiltable cab for service
Retracting seat belt
Seat belt alarm
Operator presence switch
External lockable fuel fill
Tiltable and extendable steering wheel
Back-up alarm
Daily service checkpoints list
12 Volt power port
Drum isolation
High ground clearance
Integrated parking brake
Parking brake test function
Wrap-around handrails
Two stage air intake filter
Ballasted tires for stability
Heavy-duty frame
Engine fan guard
Operator platform isolation
Smooth drum
Fuel strainer
Drum scraper
Glow plugs
ECO mode*
Audible alarm

*Standard on all machines except those equipped with blade

OPTIONAL EQUIPMENT

Inside scraper
Padfoot drum
Bolt-on padfoot shell kit
Premium bumper
Work lights
Rotating beacon
Vandal cover
First aid mounting
Steering wheel - spinner kit
Tires - Diamond tread
Tires - Traction tread
Tow valve
Special paint
Bio-degradable oil
Leveling blade
Lifetime frame guarantee
Air intake precleaner
Hydraulic test ports



V O L V O